

Chapter 5. PCB Details

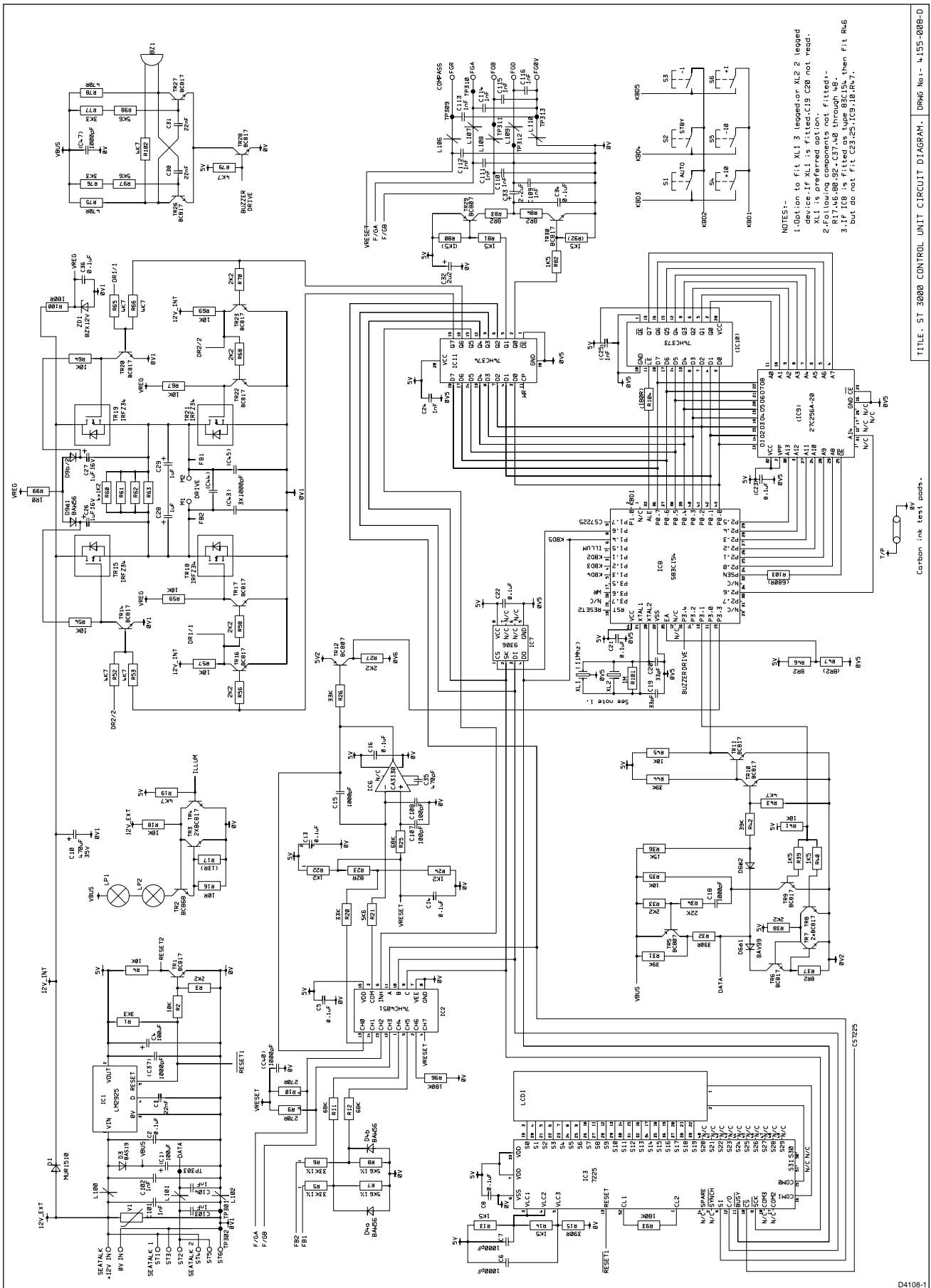


Figure 4: Circuit Diagram

PCB Layout

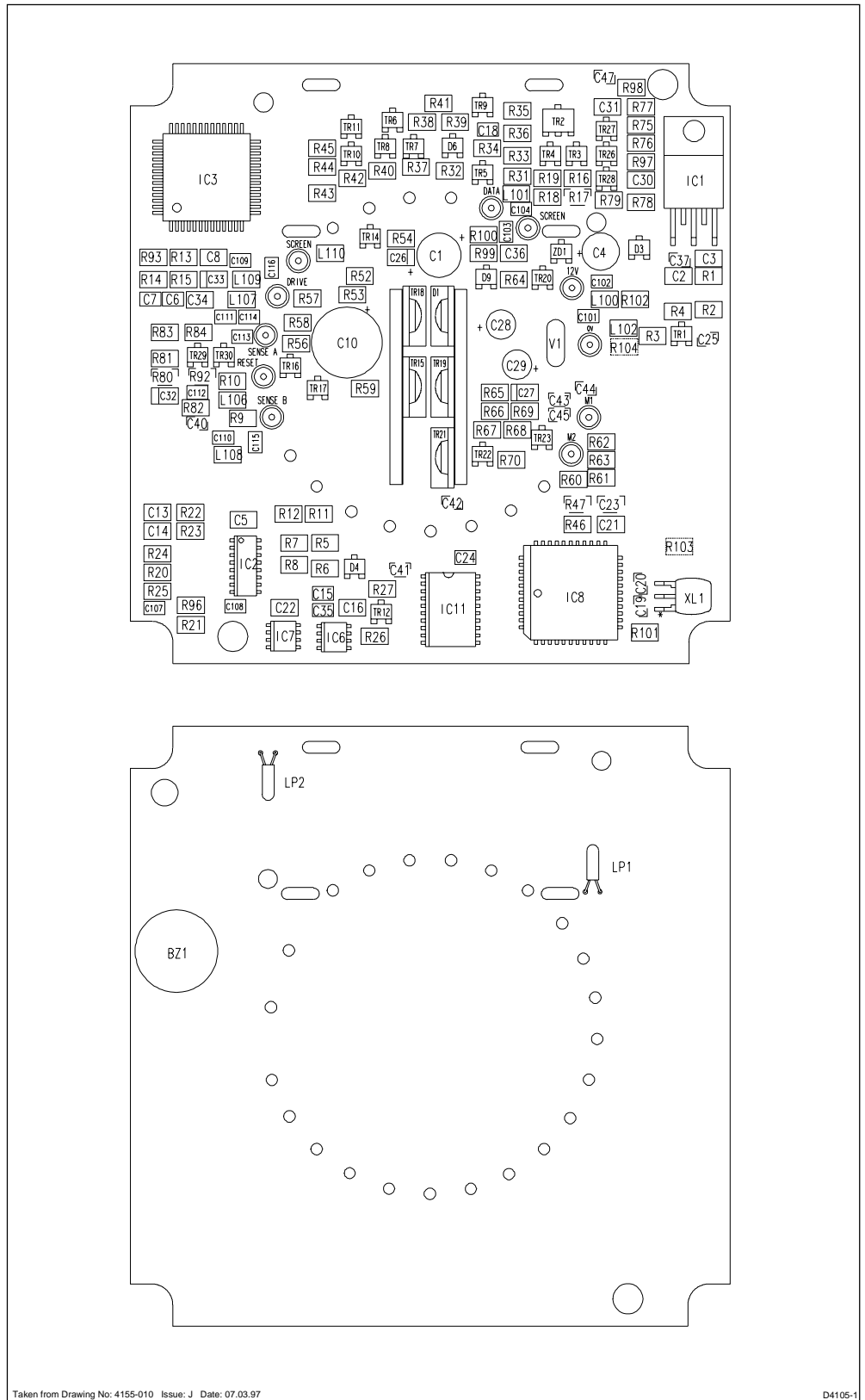


Figure 5: PCB Component Layout