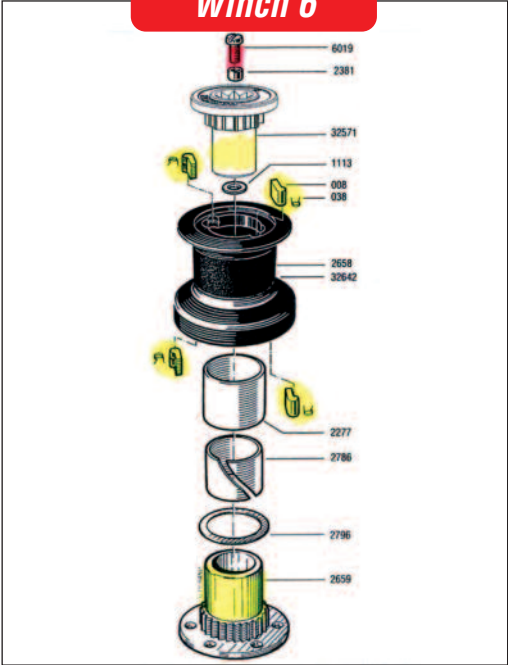


Manutenzione Winch Vecchia Linea Standard Harken

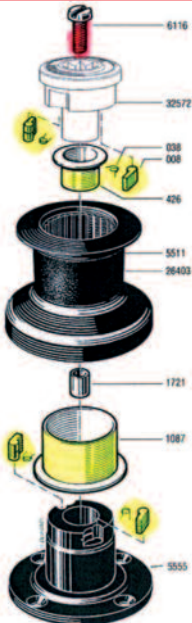
Legenda

- olio
- grasso
- anti-seize
- loctite blu

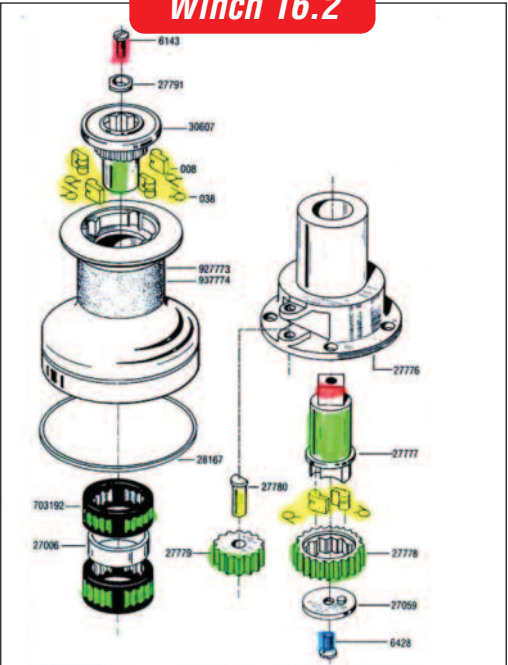
Winch 6



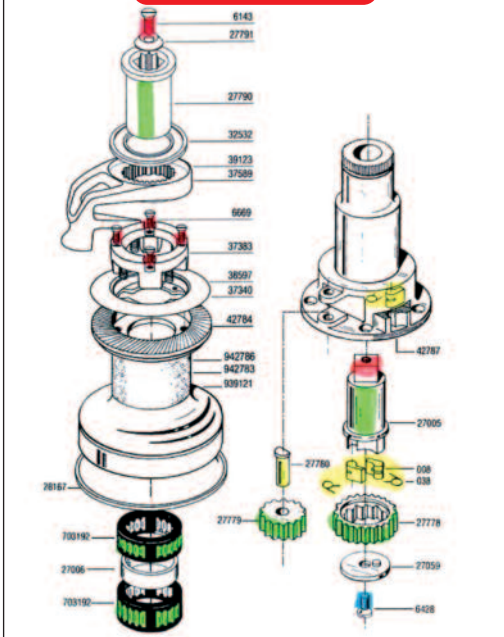
Winch 8



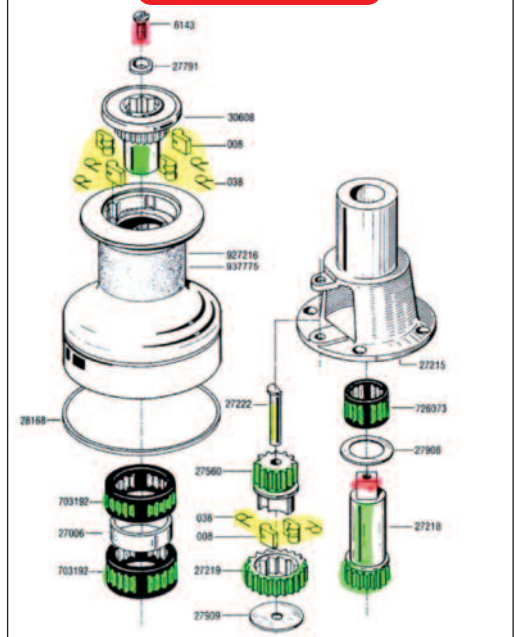
Winch 16.2



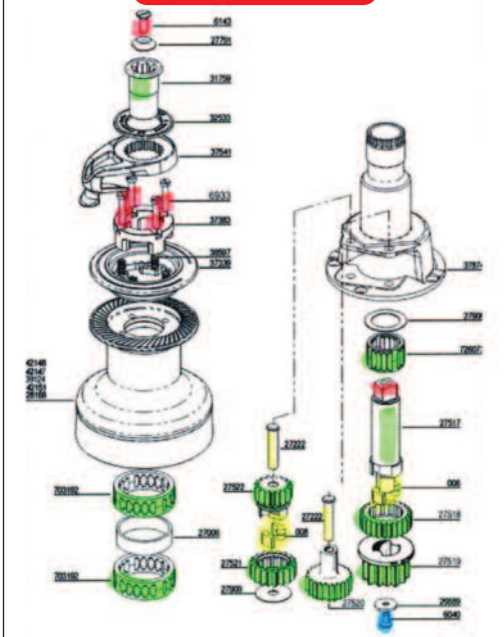
Winch 16ST



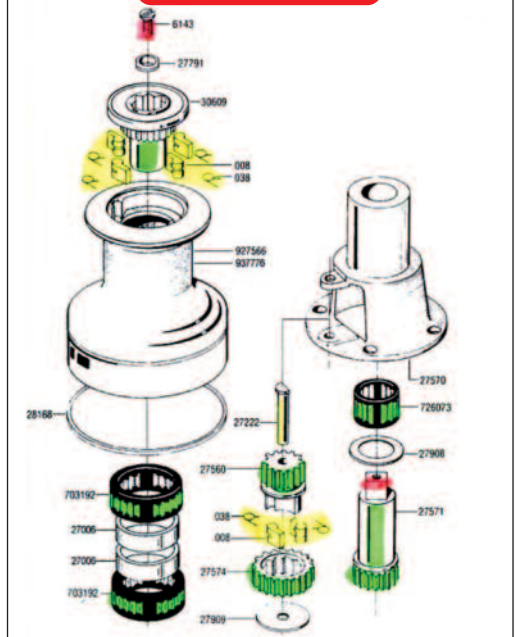
Winch 32.2



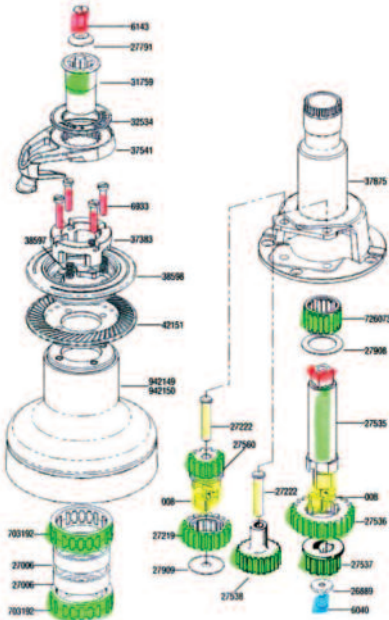
Winch 32.2ST



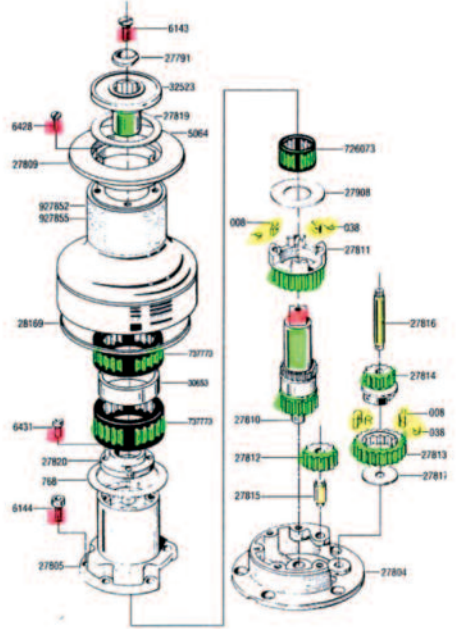
Winch 40.2



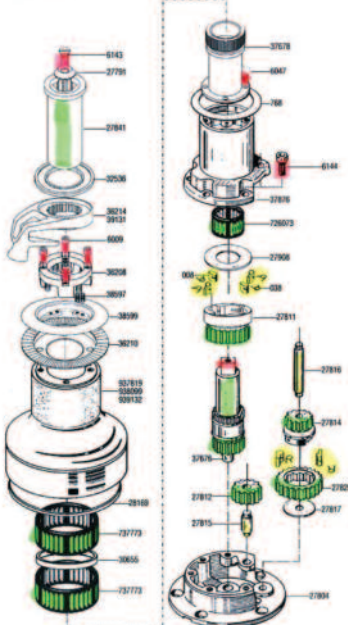
Winch 40.2ST



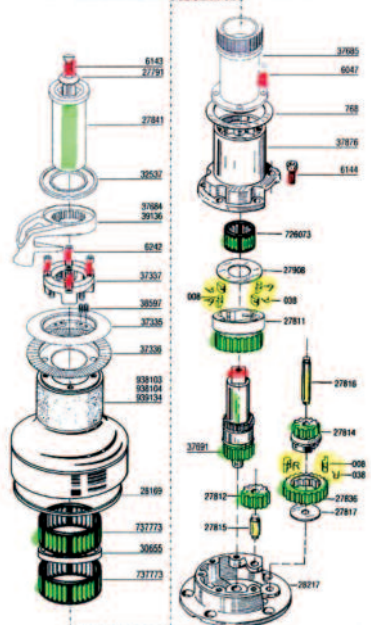
Winch 42.2



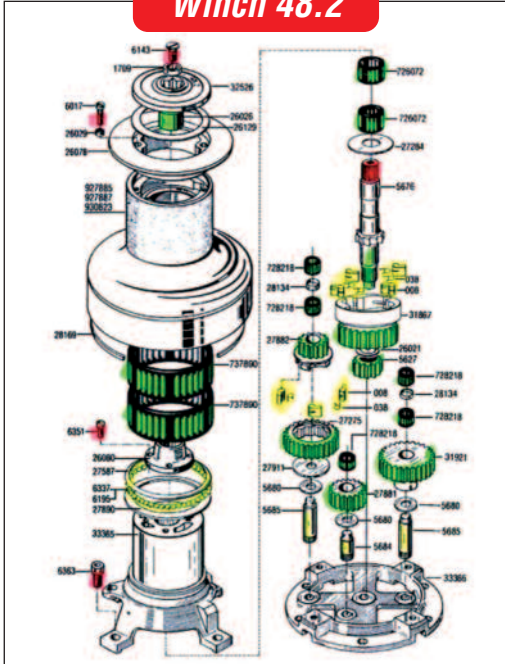
Winch 44.2ST



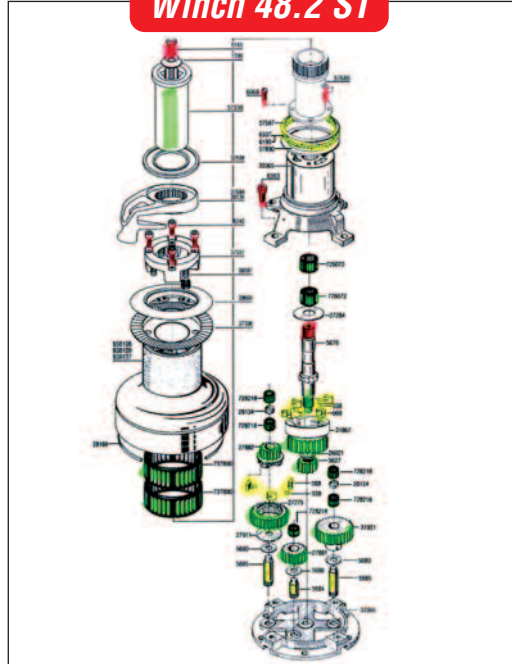
Winch 46.2ST



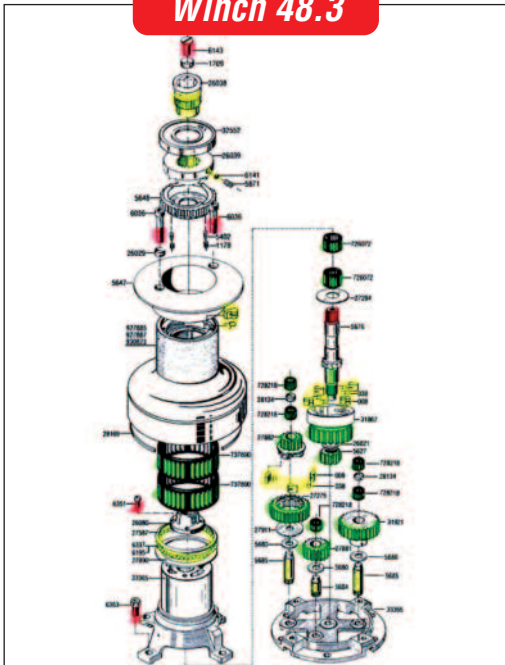
Winch 48.2



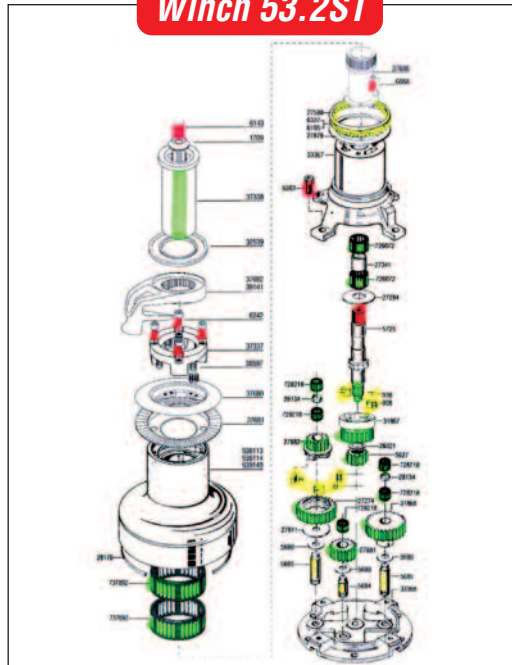
Winch 48.2 ST



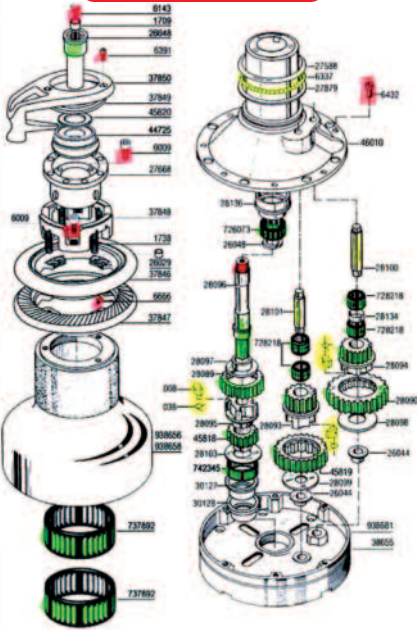
Winch 48.3



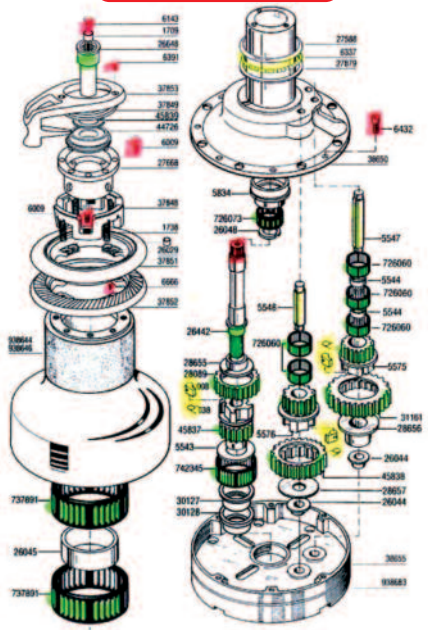
Winch 53.2ST



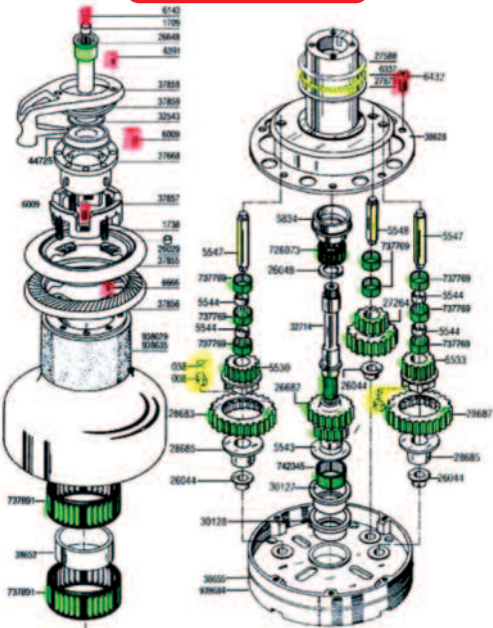
Winch 60.2ST



Winch 70.2ST



Winch 74.2ST



Winch 980.2ST

