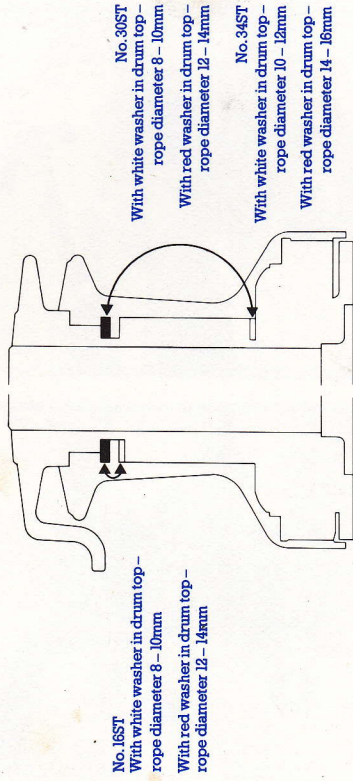
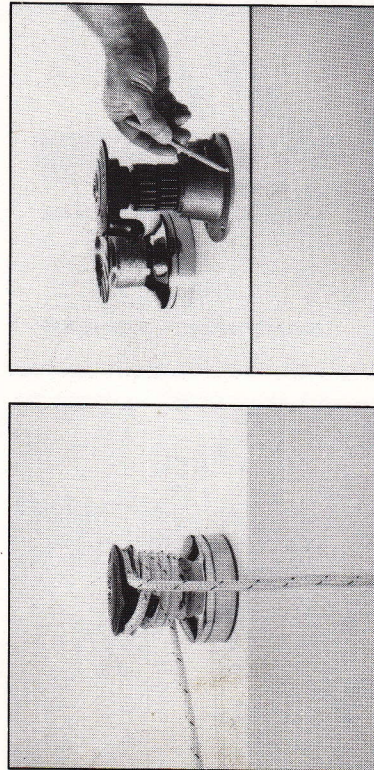


Holdfast Self-Tailing Winches 16ST, 30ST, 34ST Installation and Operation

Holdfast Self-Tailing Winches 16ST, 30ST, 34ST Adjustment



THE WINCH MUST BE ADJUSTED TO DEAL WITH DIFFERENT ROPE SIZES.

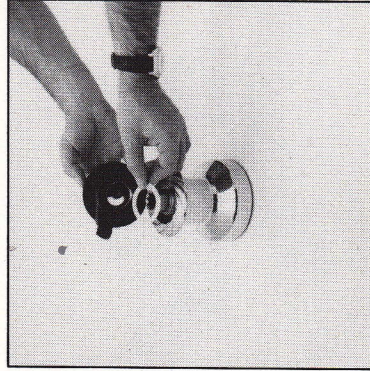


1 The rope must be placed in the jaws correctly. The turn leading from the drum must be passed across the stripper mechanism as shown and placed into the jaws.

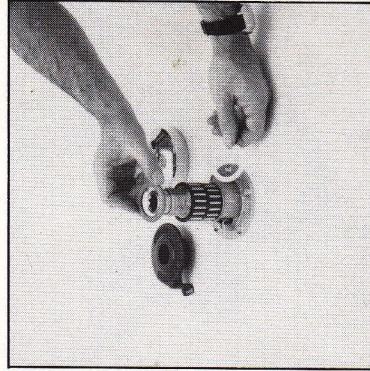
2 The winch must be mounted so that the loose sheet falls correctly into a secure stowage position.

3 There must be a minimum of 3 turns of rope on the barrel.

1
No. 16ST



Remove top cap.



Exchange washer in drum top with centre stem washer on top of bearings.

2
No. 16ST

3
Nos. 30ST, 34ST



Remove top cap.



Exchange washer in drum top with centre stem washer below bearings.

4
Nos. 30ST, 34ST