



Spare parts catalog- Yanmar engines

(A)=2QM15

Fig.1.CYLINDER BLOCK

(A)=2QM15

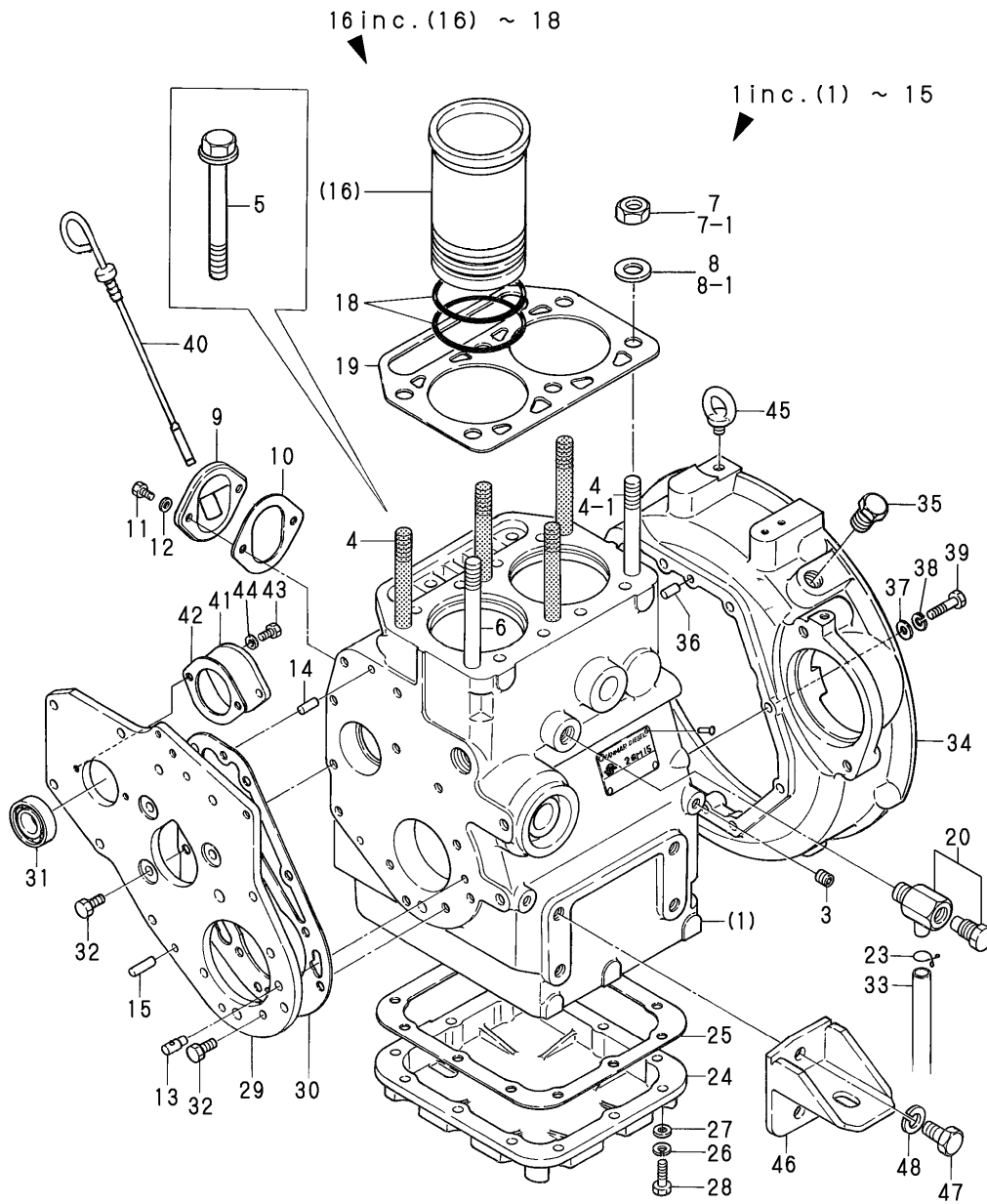
(B)=

(C)=

(D)=

(E)=

(F)=



REF.	LEV.	PARTS NO.	DESCRIPTION	QTY						I	R
				(A)	(B)	(C)	(D)	(E)	(F)		
1	1	724070-01560	BLOCK ASSY, CYLINDER	1							
3	2	124060-01050	PLUG PT1/8	6							
4	2	124060-01200	STUD, CYL. HEAD	5							
4-1	2	124060-01200	STUD, CYL. HEAD	1							K
		(A=*1979.11)									
5	2	124060-01201	STUD, CYL. HEAD	4							W
		(A=*1979.11)									
6	2	124160-01210	STUD, CYL. HEAD	1							
7	2	104300-01220	NUT, CYL HEAD	6							
7-1	2	104300-01220	NUT, CYL HEAD	2							K
		(A=*1979.11)									
8	2	103338-01240	WASHER	6							
8-1	2	103338-01240	WASHER	2							K
		(A=*1979.11)									
9	2	124070-34830	GUIDE, DIPSTICK	1							
10	2	124060-34841	GASKET	1							
10-1	2	124060-34842	GASKET	1							N
		(A=EXXX)									
11	2	26116-060122	BOLT 6X12	2							
12	2	22117-060000	WASHER 6	2							
13	2	124060-01540	CONNECTOR	1							
14	2	22312-080160	PARALLEL PIN 8X 16	1							
15	2	22312-080250	PIN 8X25,STRAIGHT	1							
16	1	724070-01900	LINER W/PACKING	2							
18	2	124060-01300	GASKET	4							
19	1	124060-01330	GASKET, CYL. HEAD	1							
20	1	43600-500290	COCK 1/4	1							
23	1	124450-44560	CLAMP	1							
24	1	124070-01720	PAN, LUB OIL	1							
25	1	124060-01741	GASKET	1							
25-1	1	124060-01742	GASKET	1							R
		(A=EXXX)									
26	1	189040-01860	SPRING WASHER 8	12							
27	1	22113-080000	WASHER 8	12							
28	1	26113-080252	BOLT 8X 25	12							
29	1	124070-01550	FLANGE	1							
30	1	124070-01560	GASKET	1							
31	1	24101-060044	BALL BEARING #6004	1							
32	1	26116-080182	BOLT 8X18	8							
33	1	23061-070300	PIPE 7X 300	1							
34	1	124070-01600	FLANGE, MOUNTING	1							
35	1	23883-180002	PULG M18,HEX.	1							
36	1	22312-080160	PARALLEL PIN 8X 16	2							
37	1	22117-080000	WASHER 8	8							
38	1	22217-080000	SPRING WASHER 8	8							
39	1	26116-080302	BOLT 8X30	8							
40	1	124070-34800	DIPSTICK, LUB. OIL	1							
41	1	124070-01400	SIDE COVER, CYLINDER	1							
42	1	124060-34841	GASKET	1							
42-1	1	124060-34842	GASKET	1							N
		(A=EXXX)									
43	1	26116-060142	BOLT M 6X 14	2							
44	1	43400-500400	SEAL WASHER 6	2							
45	1	26610-100002	EYEBOLT	1							

++ CONTINUE ++

Fig.1.CYLINDER BLOCK

(A)=2QM15

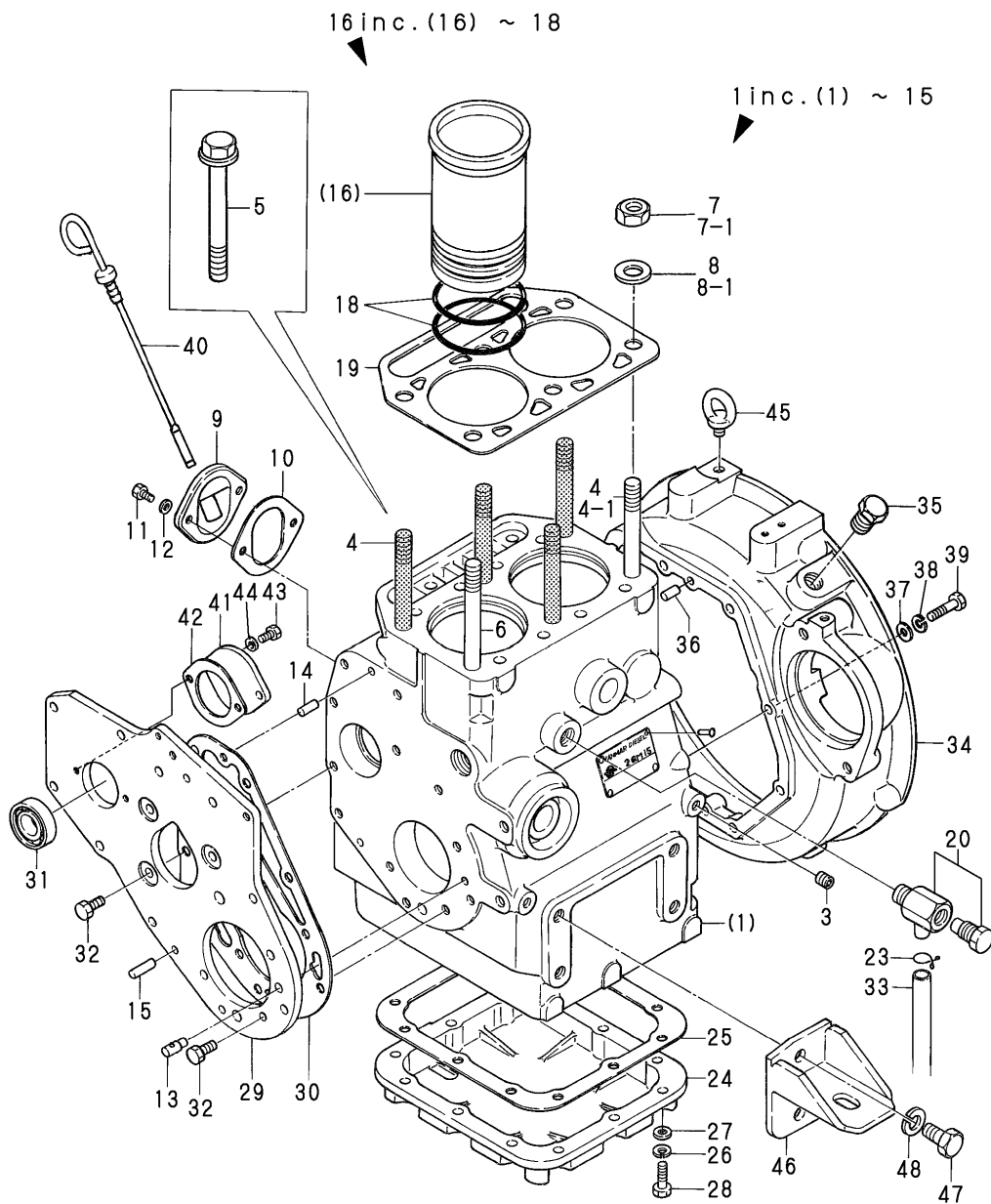
(B)=

(C)=

(D)=

(E)=

(F)=



REF.	LEV.	PARTS NO.	DESCRIPTION	----- QTY -----						I	R
				(A)	(B)	(C)	(D)	(E)	(F)		
46	1	124070-08110	BRACKET, ENGINE	2							
47	1	26116-120302	BOLT M12X 30 PLATED	4							
48	1	22217-120000	SPRING WASHER	4							

Fig.2.GEAR HOUSING

(A)=2QM15

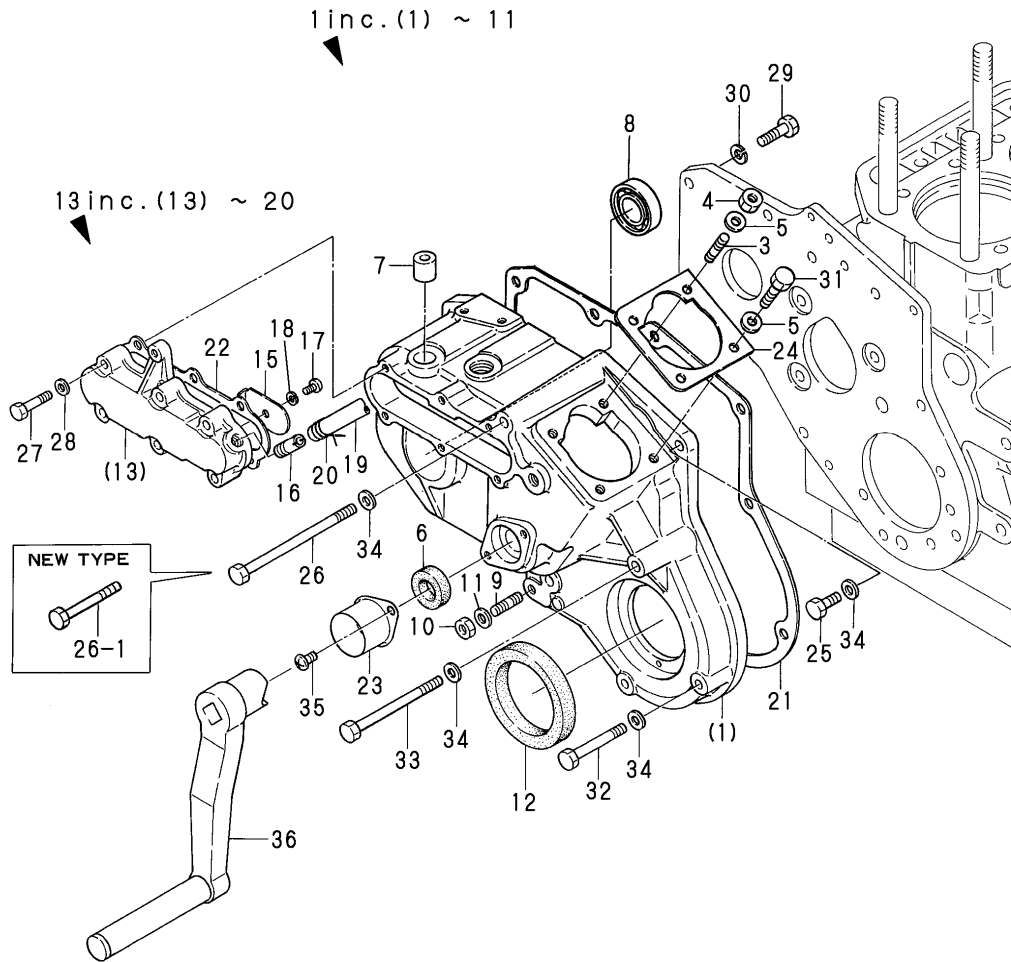
(B)=

(C)=

(D)=

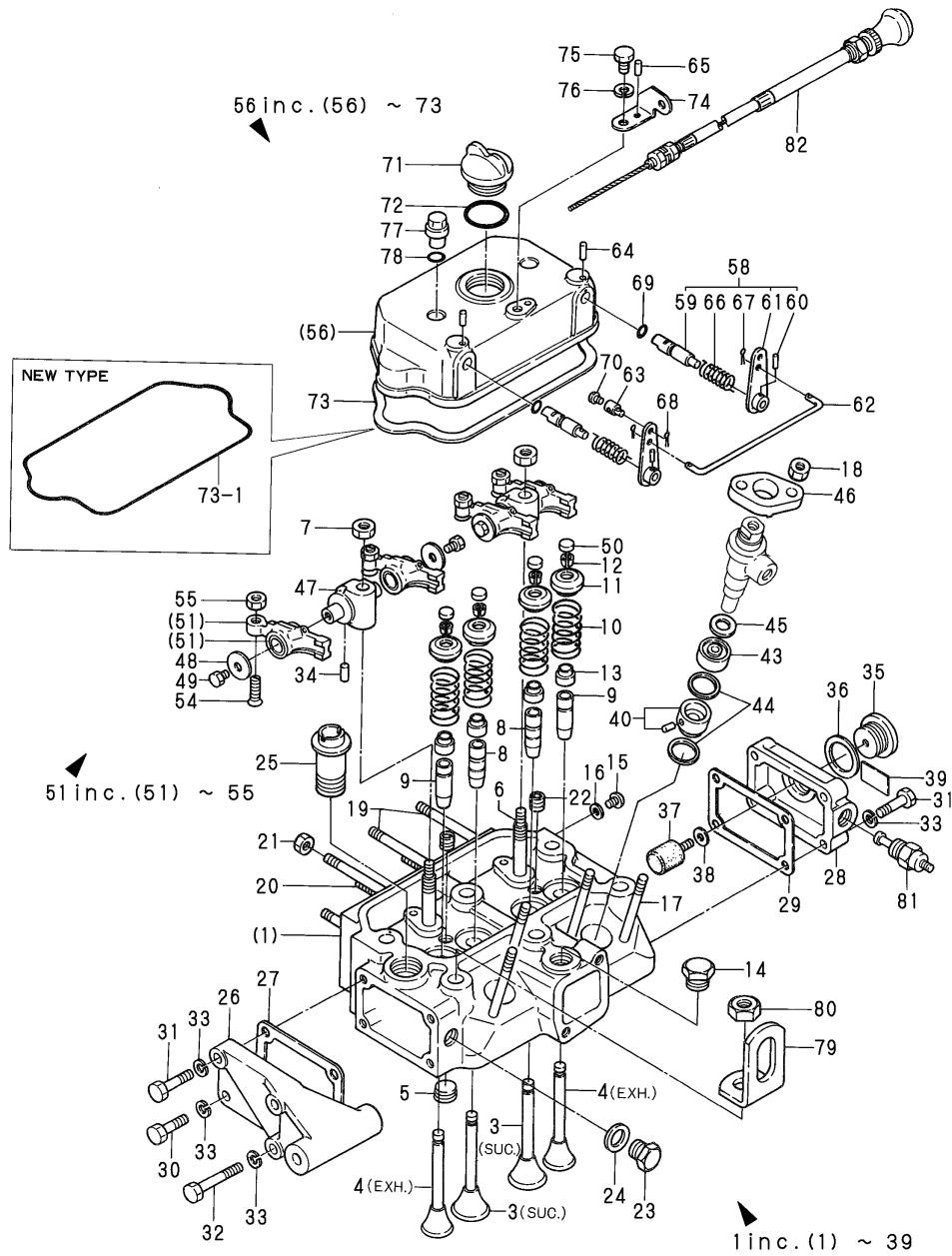
(E)=

(F)=



REF.	LEV.	PARTS NO.	DESCRIPTION	QTY						I	R
				(A)	(B)	(C)	(D)	(E)	(F)		
1	1	724070-01610	HOUSING ASSY, GEARS	1							
3	2	26226-080222	STUD M 8X 22 PLATED	2							
4	2	26716-080002	NUT M 8	2							
5	2	43400-500410	SEAL WASHER 8S	4							
6	2	145410-46960	SEAL TC17 30 8, OIL	1							
7	2	124060-01900	BUSH	1							
8	2	24101-060044	BALL BEARING #6004	1							
9	2	26226-080352	STUD M 8X 35 PLATED	2							
10	2	26716-080002	NUT M 8	2							
11	2	22137-080000	WASHER 8, POLISHED	2							
12	1	124450-01800	OIL SEAL HTC588012	1							
13	1	724070-01620	COVER ASSY, GEAR CASE	1							
15	2	124070-03080	PLATE, SHELTER	1							
16	2	124770-11770	JOINT PT1/8	1							
17	2	26557-050102	SCREW M 5X 10	1							
18	2	22217-050000	SPRING WASHER 5	1							
19	2	124070-03100	PIPE, BREATHER	1							
20	2	124060-59101	SPRING	1							
21	1	124070-01510	GASKET, GEAR CASE	1							
22	1	124070-01530	GASKET	1							
23	1	124070-01850	COVER, SHAFT	1							
24	1	124550-51950	SHIM	1							
25	1	26116-080182	BOLT 8X18	1							
26	1	26116-081152	BOLT M 8X115 PLATED	1							
26-1	1	26116-080552	BOLT 8X55	1							S
(A=E/#84371)											
27	1	26116-060302	BOLT M 6X 30 PLATED	6							
28	1	22117-060000	WASHER 6	6							
29	1	26116-080252	BOLT M 8X 25 PLATED	4							
30	1	22217-080000	SPRING WASHER 8	4							
31	1	26116-080252	BOLT M 8X 25 PLATED	2							
32	1	26116-080552	BOLT 8X55	3							
33	1	26116-080902	BOLT M 8X 90 PLATED	1							
34	1	22117-080000	WASHER 8	6							
35	1	26557-060102	SCREW 6X10	2							
36	1	124070-76790	HANDLE, STARTING	1							

Fig.3.CYLINDER HEAD



Remarks
(1)OPTIONAL

(A)=2QM15

(B)=

(C)=

(D)=

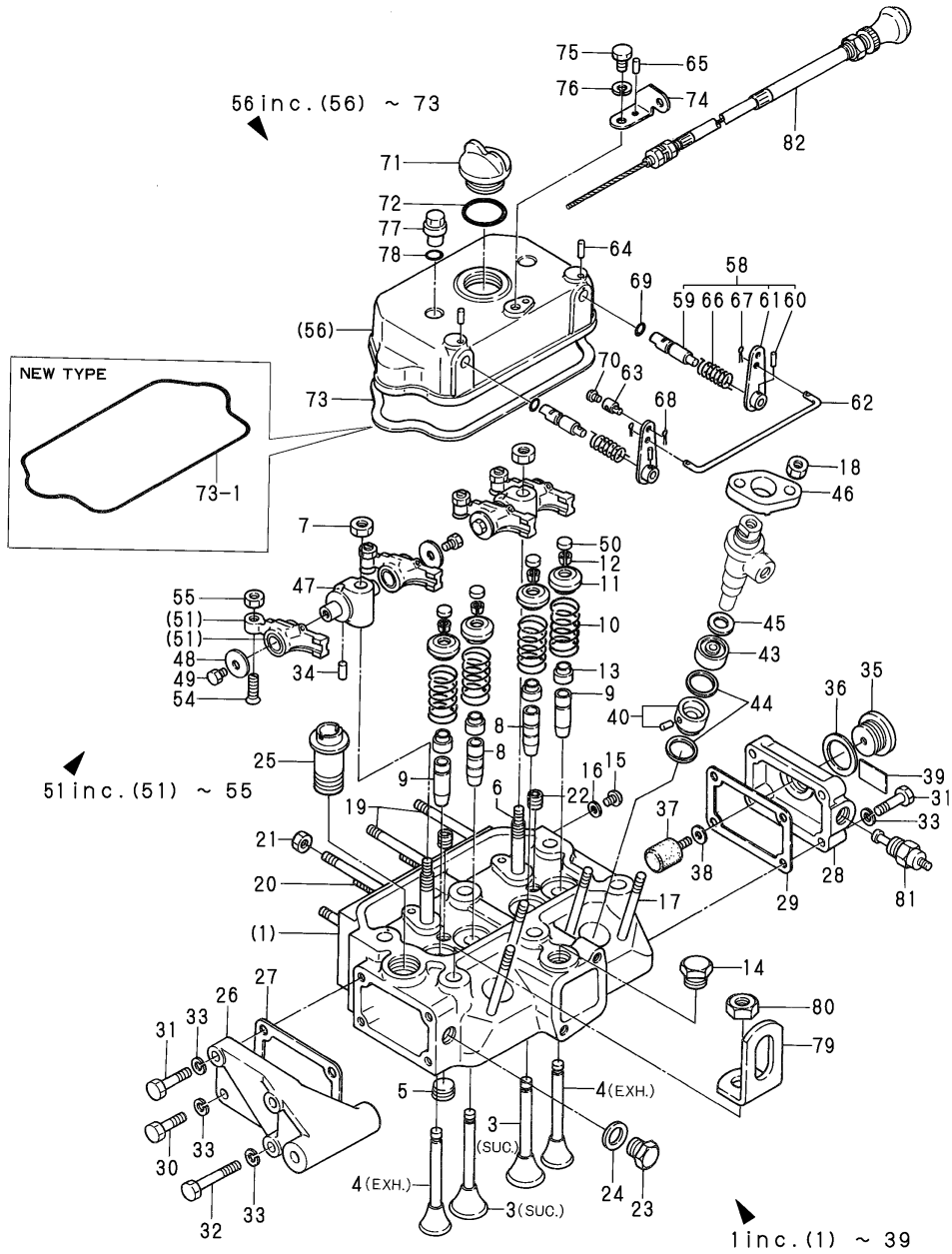
(E)=

(F)=

REF.	LEV.	PARTS NO.	DESCRIPTION	QTY						I	R
				(A)	(B)	(C)	(D)	(E)	(F)		
1	1	724070-11700	HEAD ASSY, CYLINDER	1							
3	2	104200-11100	VALVE, SUCTION	2							
4	2	104200-11110	VALVE, EXHAUST	2							
5	2	23873-040000	PLUG PT 1/2	3							
6	2	104200-11350	STUD	2							
7	2	26736-100002	NUT M10	2							
8	2	124060-11160	GUIDE, VALVE	2							
9	2	124060-11170	GUIDE, VALVE	4							
10	2	124060-11120	SPRING, VALVE	4							
11	2	104200-11180	RETAINER, SPRING	4							
12	2	101158-11190	COTTER	4							
12-1	2	27310-070000	COTTER 7	4							R
(A=EXXX)											
13	2	124160-11340	SEAL, VALVE STEM	4							
14	2	124450-11320	PLUG U7/8	1							
15	2	26587-080102	SCREW M 8X 10	1							
16	2	23414-080000	GASKET 8, ROUND	1							
17	2	26216-080702	STUD M 8X 70 PLATED	4							
18	2	26716-080002	NUT M 8	4							
19	2	26213-081002	STUD M 8X100	4							
20	2	26213-081052	STUD M 8X105	2							
21	2	26713-080002	NUT, 8	6							
22	2	23873-020000	PLUG PT 1/4	2							
23	2	23883-160002	PLUG 16	1							
24	2	23414-160000	GASKET 16, ROUND	1							
25	2	121370-11750	JOINT	1							
26	2	124070-11650	COVER (F)	1							
27	2	124060-77170	GASKET	1							
28	2	124070-11670	COVER (R)	1							
29	2	124450-11681	GASKET	1							
30	2	26116-080202	BOLT M 8X 20 PLATED	1							
31	2	26116-080302	BOLT 8X30	5							
32	2	26116-080402	BOLT M 8X 40 PLATED	2							
33	2	22217-080000	SPRING WASHER 8	8							
34	2	124060-11280	PIN	2							
35	2	124220-09320	PLUG M25	1							
36	2	23414-250000	GASKET 25,ROUND	1							
37	2	27210-200300	ZINC, ANTI-CORROSIVE	1							
38	2	123210-09310	PACKING	1							
39	2	124224-09340	LABEL	1							
40	1	124070-11420	CHAMBER, FRONT	2							
40-1	1	124070-11400	CHAMBER, FRONT	2							N
(A=E/#87104)											
43	1	124070-11410	CHAMBER, REAR	2							
44	1	101204-11450	GASKET	4							
44-1	1	101204-11452	GASKET, CHAMBER	4							N
(A=EXXX)											
45	1	103854-11490	INSULATOR	2							
46	1	101147-11900	FLANGE	2							
47	1	124060-11260	SUPPORT, ROCKER ARM	2							
48	1	114060-11290	WASHER	4							
49	1	26116-060082	BOLT 6X8	4							
50	1	104211-11370	CAP, VALVE	4							
51	1	724060-11650	ARM, VALVE ROCKER	4							

++ CONTINUE ++

Fig.3.CYLINDER HEAD



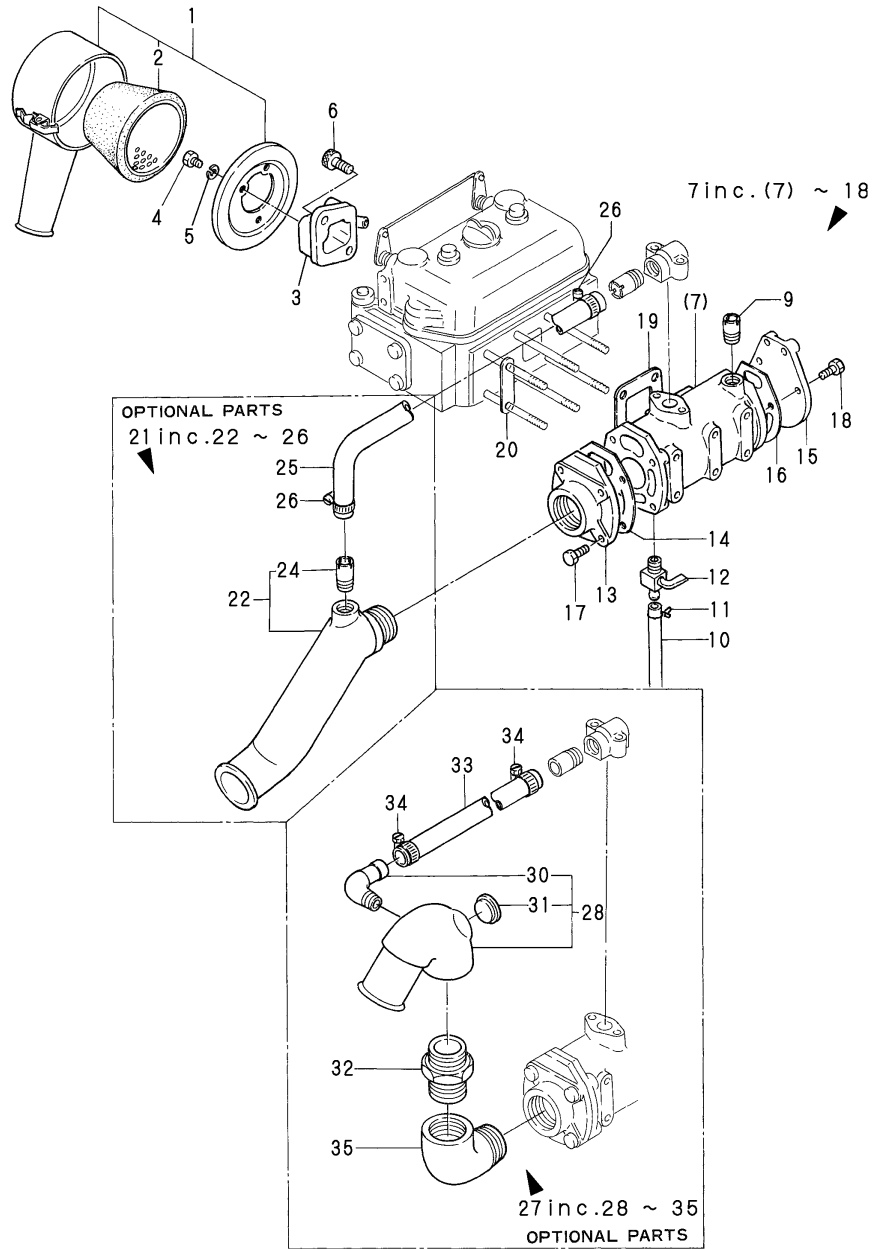
Remarks
(1)OPTIONAL

(A)=2QM15
(B)=
(C)=

(D)=
(E)=
(F)=

REF.	LEV.	PARTS NO.	DESCRIPTION	----- QTY -----						I	R
				(A)	(B)	(C)	(D)	(E)	(F)		
54	2	101158-11230	SCREW, VALVE	4							
55	2	26756-080002	LOCK NUT M 8 PLATED	4							
56	1	724070-11520	BONNET ASSY, HEAD	1							
58	2	724070-03600	SHAFT, DECOMPRESSION	1							
59	3	104200-03600	SHAFT, DECOMPRESSION	2							
60	3	22322-030160	TAPER PIN 3X16	2							
61	3	124070-03750	LEVER, DECOMPRESSION	2							
62	2	124060-03760	CONNECTOR	1							
63	2	124070-03770	FITTINGS	1							
64	2	22312-030180	PARALLEL PIN 3X18	2							
65	2	22312-040100	PARALLEL PIN 4X10	1							
66	2	104200-03641	SPRING, DECOMPRESSION	2							
67	2	22417-200200	COTTER PIN 2.0X20	2							
68	2	22417-200200	COTTER PIN 2.0X20	1							
69	2	24311-000070	O-RING 1A P-7.0	2							
70	2	26557-040082	SCREW M 4X 8	1							
71	2	124160-01750	CAP	1							
72	2	24321-000350	O-RING 1A G-35.0	1							
73	2	124060-11310	GASKET	1							
73-1	2	124060-11311	GASKET, BONNET	1							S
(A=EXXX)											
74	1	124070-03720	BRACKET, REMOTE-CON.	1							
75	1	26116-080142	BOLT 8X14	1							
76	1	22217-080000	SPRING WASHER 8	1							
77	1	124160-11360	KNOB	2							
78	1	24311-000120	O-RING 1A P 12.0	2							
79	1	124070-07230	LIFTER, ENGINE	1							
80	1	104300-01220	NUT, CYL HEAD	1							
81	1	46150-004530	SENDER	1							N
81-1	1	46150-004531	SENDER	1							N
(A=E/#87678)											
82	1	104214-03700	CABLE, REMO-CON.	1							1

Fig.4.SILENCER & EXHAUST MANIFOLD



(A)=2QM15
(B)=
(C)=

(D)=
(E)=
(F)=

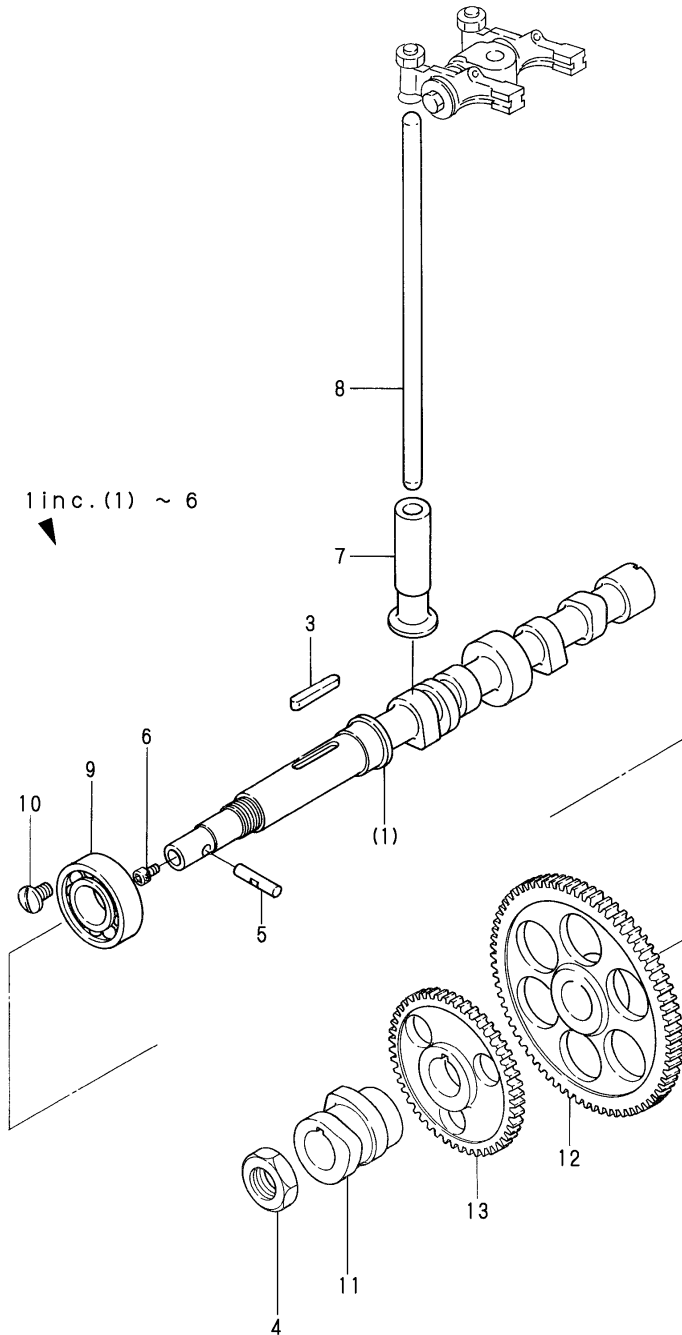
REF.	LEV.	PARTS NO.	DESCRIPTION	----- QTY -----						I	R
				(A)	(B)	(C)	(D)	(E)	(F)		
1	1	124770-12500	SILENCER, AIR INTAKE	1							
2	2	124770-12540	ELEMENT, CLEANER	1							
3	1	124070-12700	BRACKET	1							
4	1	26116-060142	BOLT M 6X 14	3							
5	1	22217-060000	SPRING WASHER 6	3							
6	1	26450-080182	BOLT M 8X 18	2							
7	1	724070-13500	MANIFOLD ASSY, EXH.	1							
9	2	124223-49300	JOINT, PIPE	1							
10	2	23061-100500	PIPE 10X 500	1							
11	2	124223-49750	BAND	1							
12	2	104200-11920	COCK	1							
13	2	124770-13150	CONNECTOR, EXHAUST	1							
14	2	124770-13170	GASKET	1							
15	2	124772-13160	COVER	1							
16	2	124770-13180	GASKET	1							
17	2	26113-080282	BOLT M 8X 28 PLATED	4							
18	2	26116-080222	BOLT M 8X 22 PLATED	4							
19	1	124450-11900	GASKET	1							
20	1	124770-13130	GASKET	1							
21	1	724070-13200	ELBOW ASY	1							1
22	2	124070-13500	ELBOW W/JOINT	1							1
24	3	124770-13690	JOINT 1/2, PIPE	1							1
25	2	124770-49040	PIPE, COOLING WATER	1							1
26	2	23000-025000	CLAMP 25	2							1
27	1	724070-13300	MIXINGELBOW ASSY	1							1
28	2	124070-13520	ELBOW, MIXING	1							1
30	3	124070-13300	ELBOW (PT3/8)	1							1
31	3	27233-250000	PLUG 25	1							1
32	2	104214-13580	JOINT	1							1
33	2	104564-49210	PIPE, COOLING WATER	1							1
34	2	23000-025000	CLAMP 25	2							1
35	2	23112-140000	STREET ELBOW PT1+1/2	1							1

Remarks
(1)OPTIONAL

Fig.5.CAMSHAFT

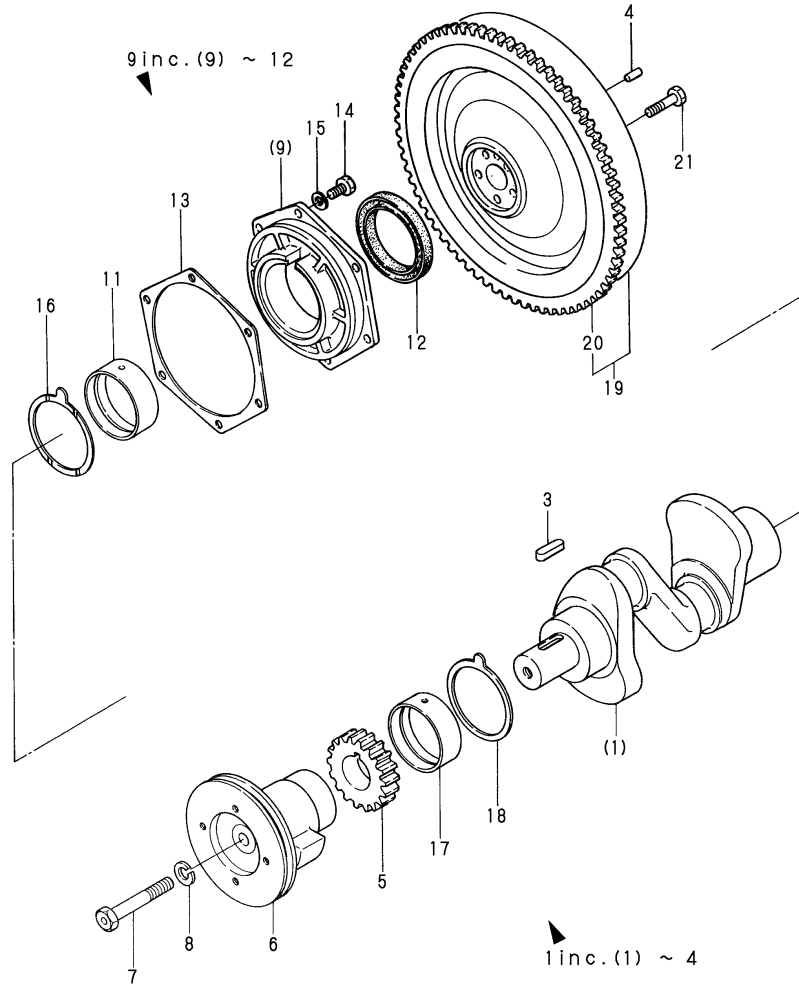
(A)=2QM15
(B)=
(C)=

(D)=
(E)=
(F)=



REF.	LEV.	PARTS NO.	DESCRIPTION	----- Q'TY -----						I	R
				(A)	(B)	(C)	(D)	(E)	(F)		
1	1	724070-14580	CAMSHAFT ASSY	1							
3	2	22512-050340	KEY 5X 34	1							
4	2	124450-35350	NUT M20	1							
5	2	124070-14760	PIN	1							
6	2	26450-050102	BOLT M 5X 10	1							
7	1	104200-14200	TAPPET	4							
8	1	124060-14400	ROD, PUSH	4							
9	1	24101-062054	BEARING #6205	1							
10	1	26587-080102	SCREW M 8X 10	1							
11	1	124070-14090	CAM, FUEL	1							
12	1	124070-14100	GEAR, CAMSHAFT	1							
13	1	124070-14600	GEAR	1							

Fig.6.MAIN METAL & CRANKSHAFT



(A)=2QM15
(B)=
(C)=

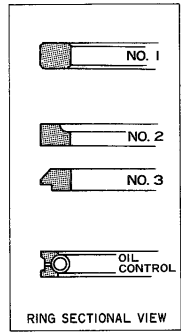
(D)=
(E)=
(F)=

REF.	LEV.	PARTS NO.	DESCRIPTION	----- QTY -----						I	R
				(A)	(B)	(C)	(D)	(E)	(F)		
1	1	724060-21700	CRANKSHAFT ASSY	1							
3	2	22512-070300	KEY 7X 30	1							
4	2	22312-080160	PARALLEL PIN 8X 16	1							
5	1	124060-21200	GEAR, CRANKSHAFT	1							
6	1	124070-21650	V-PULLEY	1							
7	1	124070-21950	BOLT	1							
8	1	22217-120000	SPRING WASHER	1							
9	1	724060-02500	HOUSING ASSY,BEARING	1							
11	2	124060-02101	BEARING	1							
12	2	124060-02220	SEAL	1							
13	1	124060-02020	GASKET	1							
14	1	26116-080222	BOLT M 8X 22 PLATED	6							
15	1	22217-080000	SPRING WASHER 8	6							
16	1	124060-02110	BEARING THRUST	1							
17	1	124060-02101	BEARING	1							
18	1	124060-02110	BEARING THRUST	1							
19	1	124070-21590	FLYWHEEL W/RING GEAR	1							
20	2	104211-21600	GEAR, RING	1							
21	1	124160-21500	BOLT, REAMER	5							

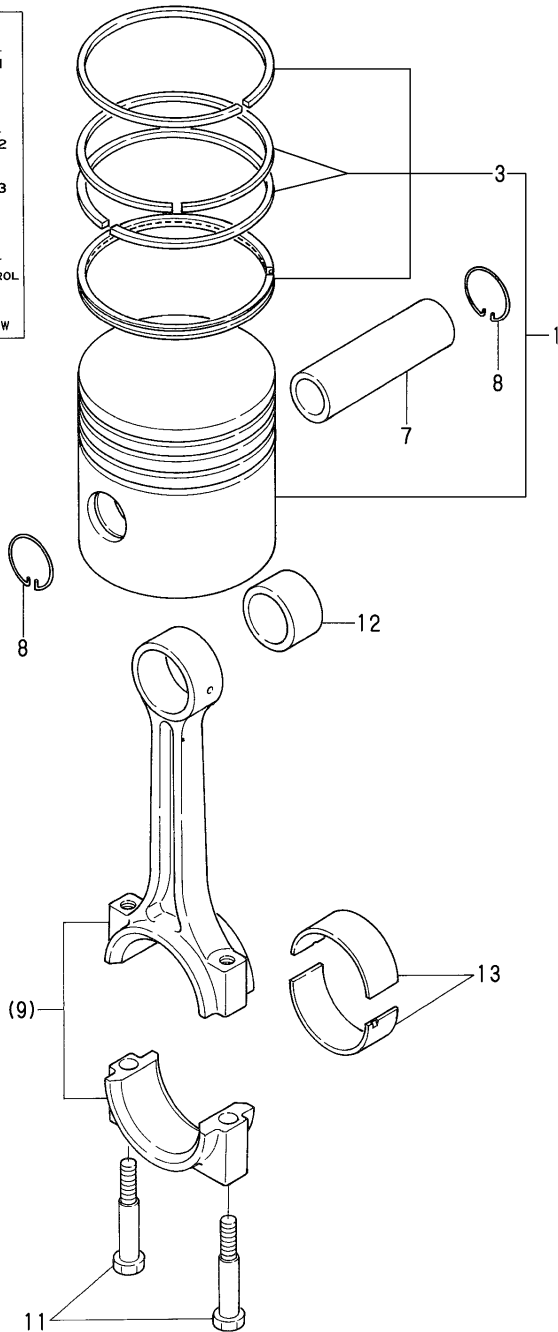
Fig.7.PISTON & CONNECTING ROD

(A)=2QM15
(B)=
(C)=

(D)=
(E)=
(F)=



9 inc. (9) ~ 13

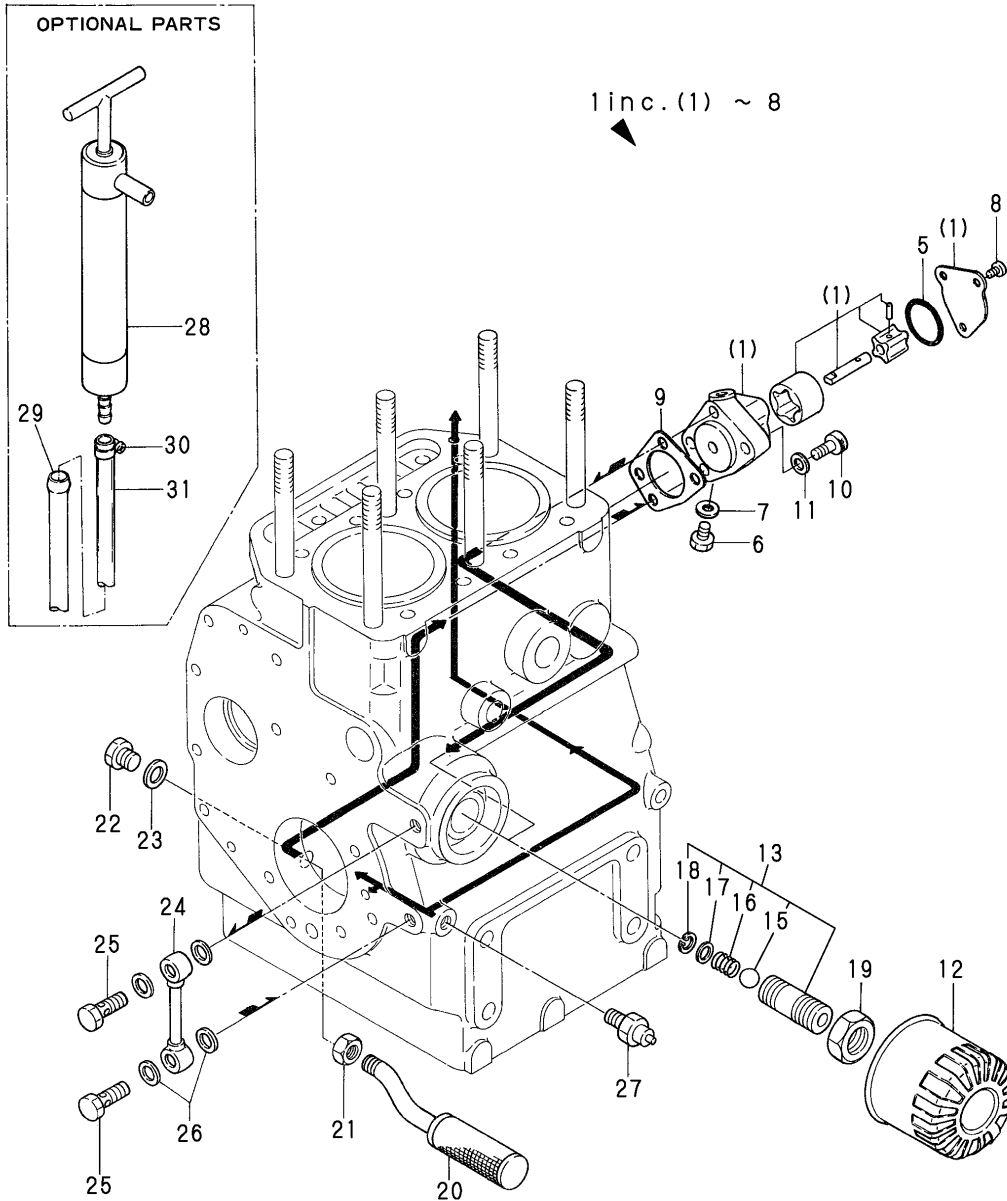


REF.	LEV.	PARTS NO.	DESCRIPTION	QTY						I	R
				(A)	(B)	(C)	(D)	(E)	(F)		
1	1	724070-22720	PISTON W/RINGS	2							
1-1	1	724060-22722	PISTON W/RINGS	2							R
(A=EXXX)											
3	2	724070-22500	RING ASY	2							
7	1	104200-22300	PIN, PISTON	2							
8	1	172100-22400	CIRCLIP	4							
9	1	724660-23100	ROD ASSY, CONNECTING	2							
11	2	124060-23201	BOLT	4							
12	2	124060-23100	BUSH, PISTON PIN	2							
13	2	124060-23300	BEARING PIN	2							

Fig.8.LUB.OIL SYSTEM

(A)=2QM15
(B)=
(C)=

(D)=
(E)=
(F)=



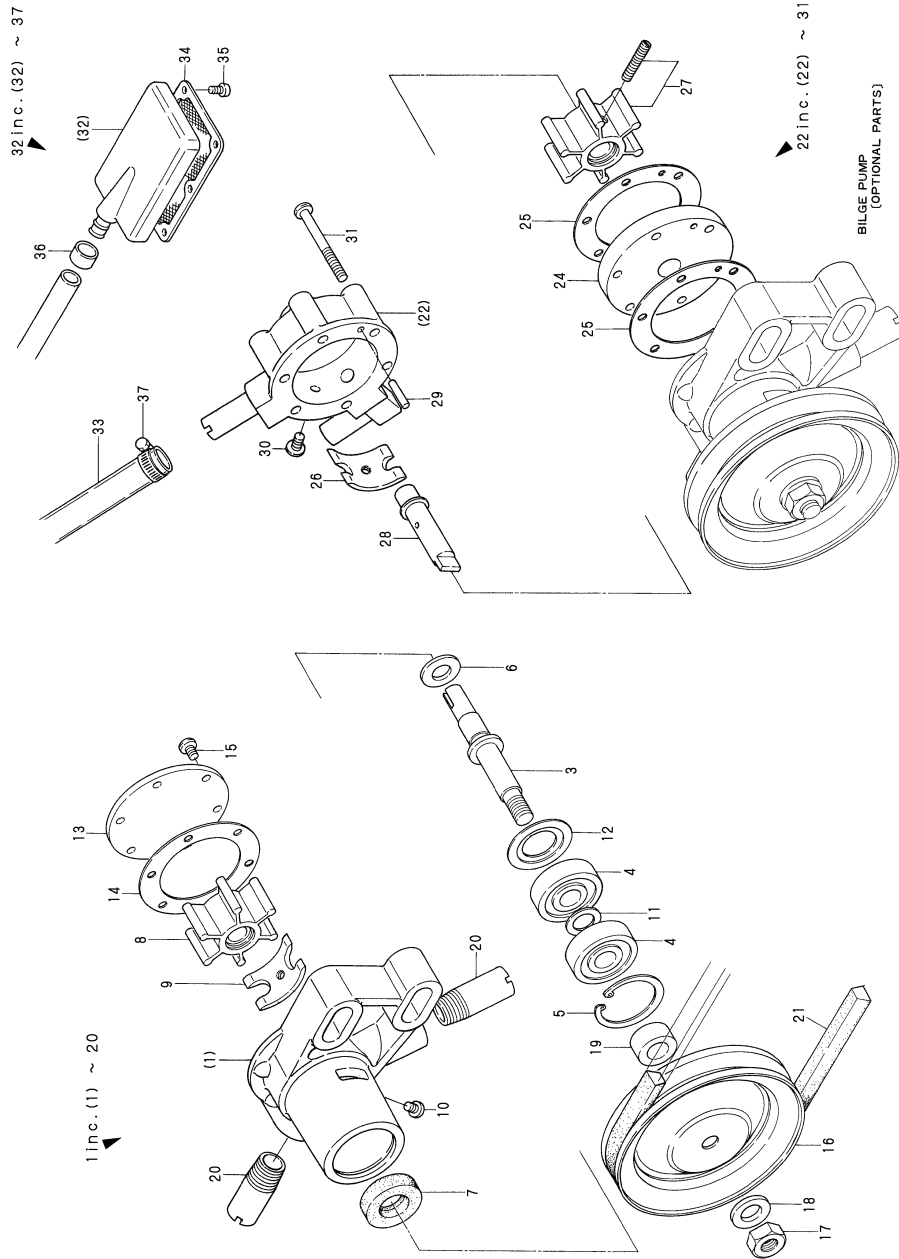
REF.	LEV.	PARTS NO.	DESCRIPTION	----- QTY -----						I	R
				(A)	(B)	(C)	(D)	(E)	(F)		
1	1	724070-32700	PUMP ASSY, LUB. OIL	1							
5	2	103338-32570	O-RING	1							
6	2	124060-32990	PLUG	2							
7	2	23414-080000	GASKET 8, ROUND	2							
8	2	26116-060142	BOLT M 6X 14	3							
9	1	124060-32091	GASKET	1							
9-1	1	124060-32092	GASKET	1							N
(A=EXXX)											
10	1	26450-080252	BOLT M 8X 25	2							
11	1	124060-32130	WASHER	2							
12	1	124450-35100	FILTER, LUB. OIL	1							
13	1	124450-35301	VALVE ASSY, CONTROL	1							
15	2	24190-100001	BALL 5/16, STEEL	1							
16	2	124450-35320	SPRING	1							
17	2	124450-35330	RETAINER	1							
18	2	22252-000100	CIRCLIP 10	1							
19	1	124450-35350	NUT	1							
20	1	124772-35060	PIPE, OIL INLET	1							
21	1	124450-35070	NUT PF1/4	1							
22	1	23893-020002	PLUG PF1/4	1							
22-1	1	121450-01960	PLUG PF1/4	1							N
(A=EXXX)											
23	1	23414-120000	GASKET 12, ROUND	1							
24	1	124060-39200	PIPE, LUB OIL	1							
25	1	124450-39140	BOLT, PIPE JOINT	2							
26	1	23414-120000	GASKET 12, ROUND	4							
27	1	124060-39451	SENDER, OIL PRESSURE	1							
28	1	104264-39700	PUMP ASSY, WASTE	1							1
29	1	104264-39710	PIPE, DRAIN	1							1
30	1	23010-012000	CLAMP 12	1							1
31	1	23061-081000	PIPE 8X1000	1							1

Remarks
(1)OPTIONAL

Fig.9.C.W.PUMP & BILGE PUMP(OPTIONAL)

(A)=2QM15
(B)=
(C)=

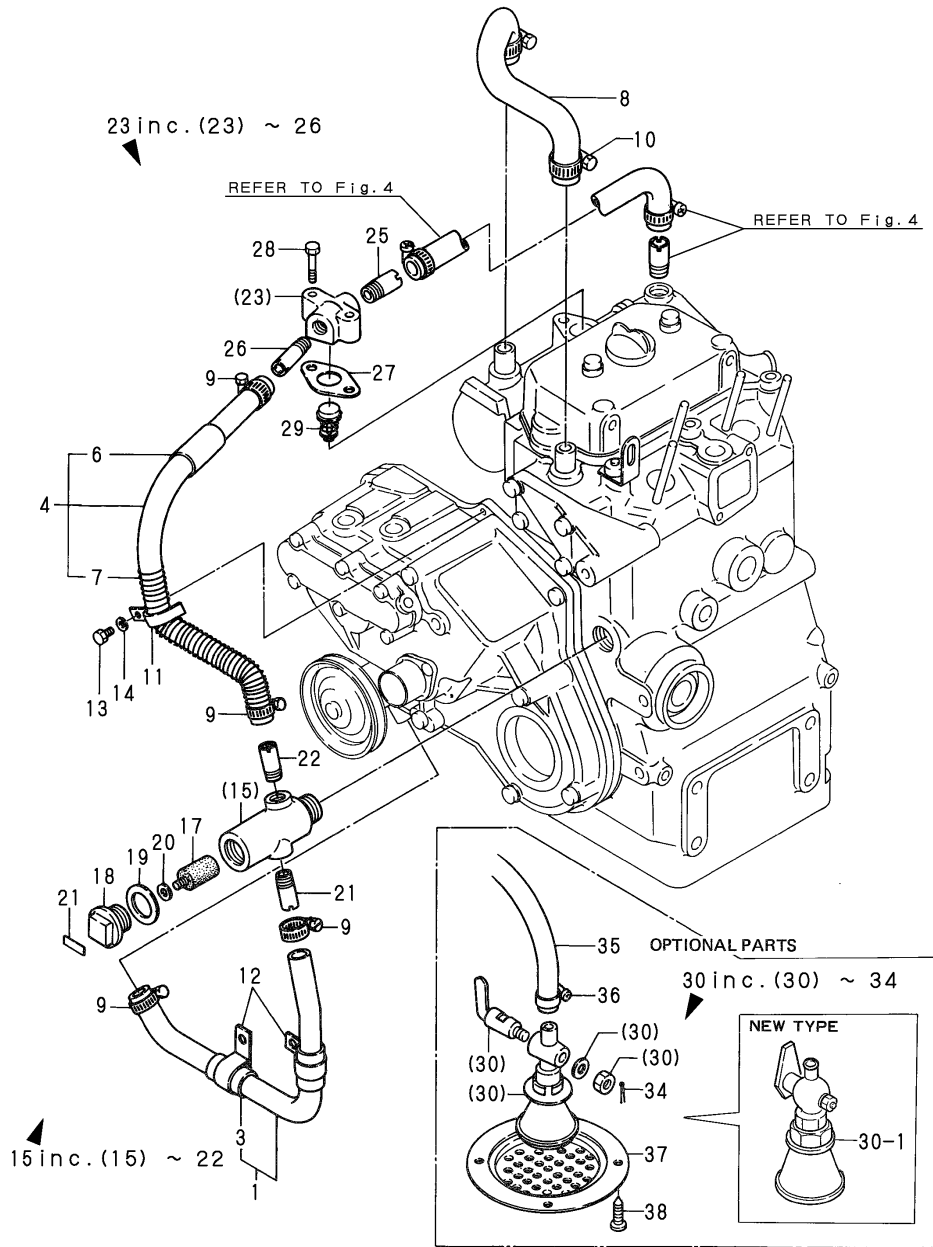
(D)=
(E)=
(F)=



REF.	LEV.	PARTS NO.	DESCRIPTION	----- QTY -----						I	R
				(A)	(B)	(C)	(D)	(E)	(F)		
1	1	124070-42000	PUMP ASSY, C. WATER	1							
3	2	124070-42060	SHAFT, IMPELLER	1							
4	2	24107-062004	BALL BEARING	2							
5	2	22252-000300	CIRCLIP 30	1							
6	2	104211-42110	RING, WATER SEAL	1							
7	2	104211-42100	SEAL TC10 25 7, OIL	1							
8	2	104211-42070	IMPELLER, C. WATER	1							
9	2	104211-42050	CAM	1							
10	2	26554-040062	SCREW M 4X 6	1							
11	2	104211-42130	SPACER	1							
12	2	104211-42120	RETAINER	1							
13	2	104211-42080	COVER, C.W. PUMP	1							
14	2	104211-42090	GASKET	1							
15	2	26554-040082	SCREW M 4X 8	6							
16	2	124070-42400	V-PULLEY, C.W. PUMP	1							
17	2	26347-080002	U-NUT M 8	1							
18	2	124070-42420	WASHER	1							
19	2	124070-42410	COLLAR	1							
20	2	104211-49060	JOINT	2							
20-1	2	104271-49060	JOINT	2							N
(A=*1980.01)											
21	1	104514-77350	V-BELT (HM-23)	1							
22	1	104214-46000	PUMP ASSY, BILGE	1							1
24	2	124070-46820	PLATE	1							1
25	2	104211-42090	GASKET	2							1
26	2	104211-42050	CAM	1							1
27	2	104214-46830	IMPELLER, BILGE PUMP	1							1
28	2	104214-46840	SHAFT, BILGE PUMP	1							1
29	2	22312-030140	PARALLEL PIN 3X14	1							1
30	2	26554-040122	SCREW M 4X 12	1							1
31	2	26557-040382	SCREW M4X 38	6							1
32	1	123220-46910	STRAINER, BILGE	1							
33	2	124223-46100	PIPE, BILGE	1							
34	2	123220-46922	STRAINER	1							
35	2	26554-060102	SCREW M 6X 10	6							
36	2	123220-46951	CLAMP	1							
37	2	23010-015000	CLAMP 15	1							

Remarks
(1)OPTIONAL

Fig.10.COOLING WATER SYSTEM



(A)=2QM15
(B)=
(C)=

(D)=
(E)=
(F)=

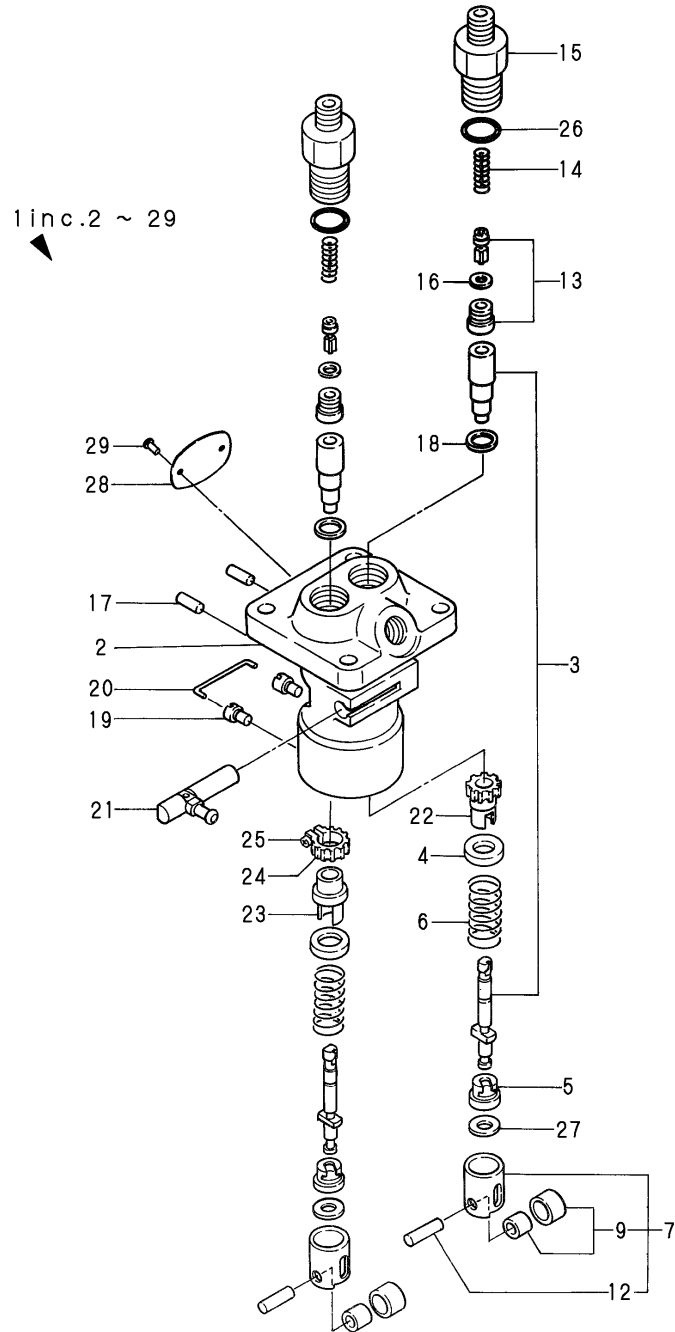
REF.	LEV.	PARTS NO.	DESCRIPTION	QTY						I	R
				(A)	(B)	(C)	(D)	(E)	(F)		
1	1	124070-49070	PIPE	1							
1-1	1	121370-49060	PIPE, COOLING WATER	1							R
(A=*1980.02)											
3	2	105582-49900	PROTECTOR	2							
4	1	124070-49060	PIPE, COOLING WATER	1							
6	2	105582-49900	PROTECTOR	1							
7	2	124070-49910	SPRING	1							
8	1	124070-49020	PIPE (B), C. WATER	1							
9	1	23000-022000	CLAMP 22	4							
10	1	23000-025000	CLAMP 25	2							
11	1	124070-49310	RETAINER	1							
12	1	124770-49310	RETAINER 27	2							
13	1	26116-060102	BOLT M 6X 10 PLATED	1							
14	1	22217-060000	SPRING WASHER 6	1							
15	1	724070-01730	JOINT ASSY, 3-WAY	1							
17	2	27210-200300	ZINC, ANTI-CORROSIVE	1							
18	2	124220-09320	PLUG M25	1							
19	2	23414-250000	GASKET 25,ROUND	1							
20	2	123210-09310	PACKING	1							
21	2	124224-09340	LABEL	1							
22	2	104211-49060	JOINT PT 1/4	2							
23	1	124770-49190	COVER, THERMOSTAT	1							
25	2	124223-49300	JOINT, PIPE	1							
25-1	2	121575-49300	JOINT PT 3/8	1							N
(A=*1980.01)											
26	2	104211-49060	JOINT PT 1/4	1							
26-1	2	104271-49060	JOINT	1							N
(A=*1980.01)											
27	1	104211-49160	PACKING	1							
28	1	26116-060352	BOLT M 6X 35 PLATED	2							
29	1	124770-49200	THERMOSTAT	1							
30	1	43662-010020	COCK ASSY, SEA WATER	1							1
30-1	1	43662-010030	COCK ASSY, SEA WATER	1							N 1
(A=EXXX)											
34	2	23414-120200	COTTER PIN	1							1
35	1	104211-49080	PIPE, COOLING WATER	1							1
36	1	23000-022000	CLAMP 22	3							1
37	1	43666-020951	COVER, STRAINER	1							1
38	1	22724-800380	SCREW 8X 38	4							1

Remarks
(1)OPTIONAL

Fig.11.FUEL INJECTION PUMP

(A)=2QM15
(B)=
(C)=

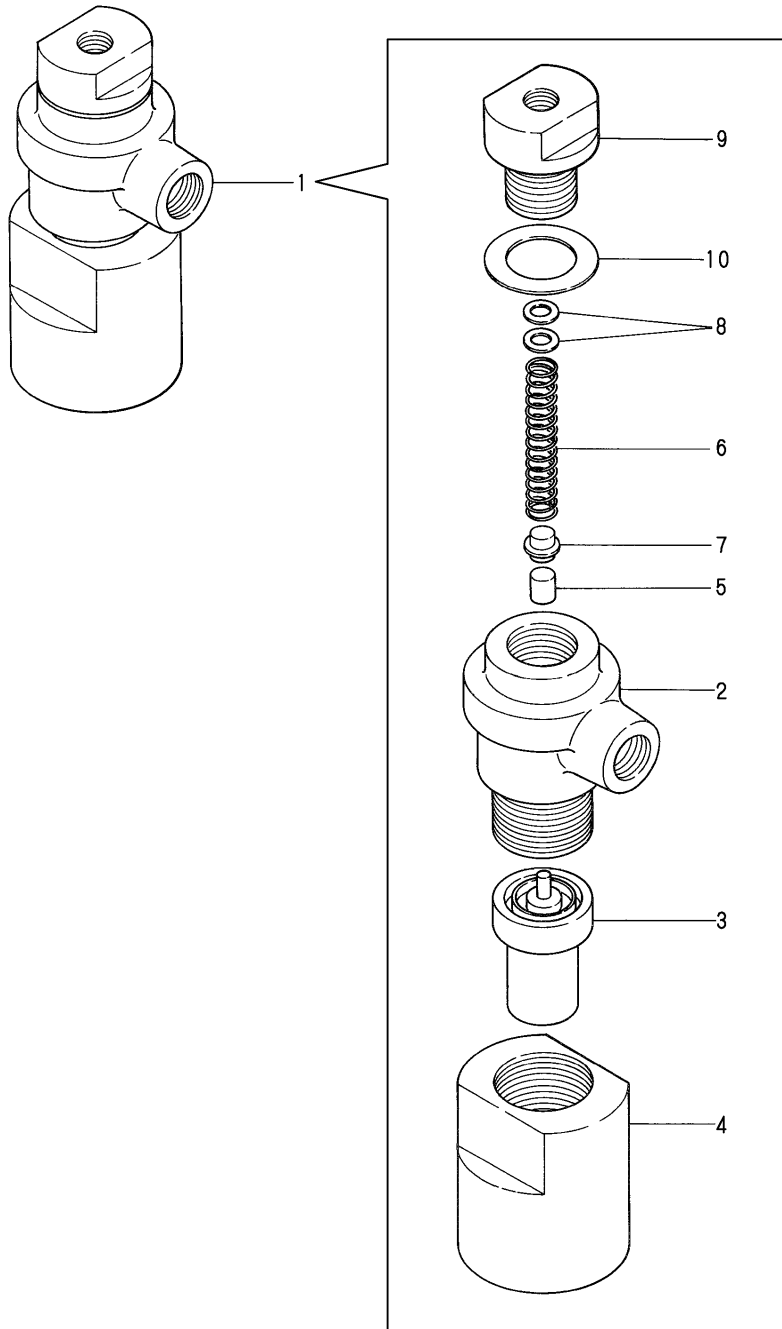
(D)=
(E)=
(F)=



REF.	LEV.	PARTS NO.	DESCRIPTION	QTY						I	R
				(A)	(B)	(C)	(D)	(E)	(F)		
1	1	724070-51700	PUMP ASSY. F.INJECT.	1							
2	2	124550-51011	BODY, FUEL I. PUMP	1							
3	2	124070-51100	PLUNGER W/BARREL	2							
4	2	174307-51170	RETAINER A	2							
5	2	174307-51181	RETAINER B	2							
6	2	174307-51190	SPRING, PLUNGER	2							
7	2	724550-51520	GUIDE, PLUNGER	2							
9	3	711100-51540	ROLLER ASSY	2							
12	3	174100-54120	PIN, ROLLER	2							
13	2	124060-51300	VALVE W/SEAT, DELIV.	2							
14	2	124550-51320	SPRING, DELIV. VALVE	2							
15	2	124550-51341	RETAINER	2							
16	2	124550-51350	GASKET, DELIVERY	2							
17	2	174307-51250	PIN	2							
18	2	174307-51270	GASKET	2							
19	2	174307-51450	PIECE, GUIDE	2							
20	2	174307-51460	PIN	1							
21	2	105425-51500	RACK, CONTROL	1							
22	2	174307-51510	PINION	1							
23	2	174307-51550	RETAINER,PINION	1							
24	2	174307-51560	PINION	1							
25	2	122117-51560	SCREW, PINION	1							
26	2	124550-51370	O-RING, DELIVERY	2							
27	2	174307-51700	SHIM SET	2							
29	2	22624-230030	RIVET 2.3X 3	2							
29-1	2	124220-51890	RIVET, LABEL	2							R

(A)=*1978.01

Fig.12.FUEL INJECTION VALVE



(A)=2QM15

(B)=

(C)=

(D)=

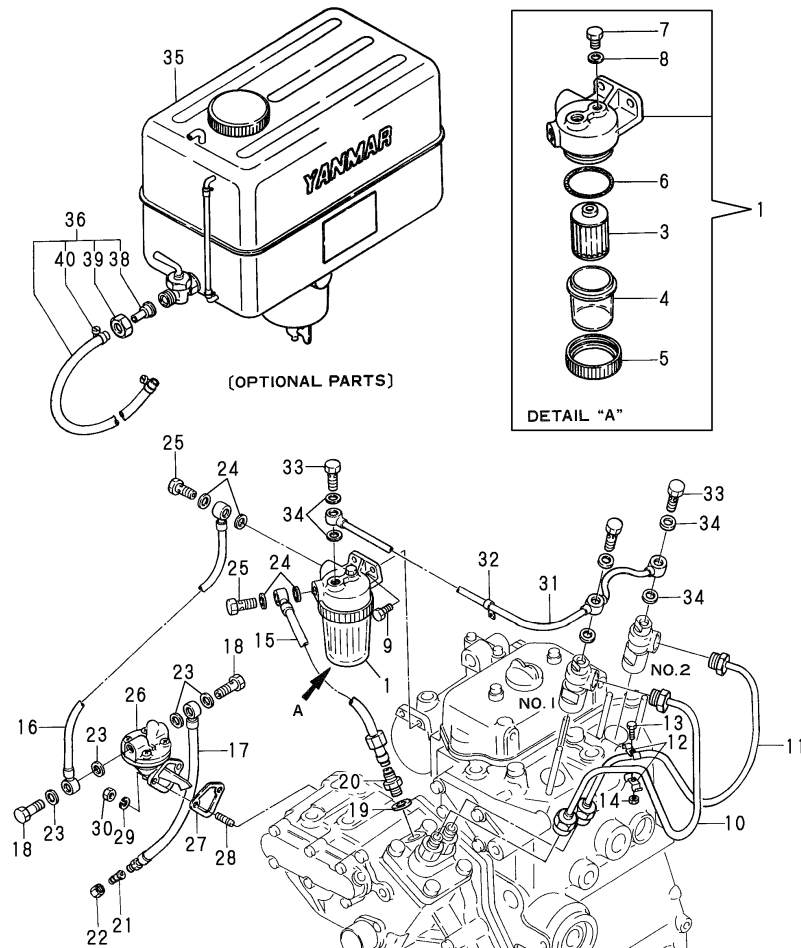
(E)=

(F)=

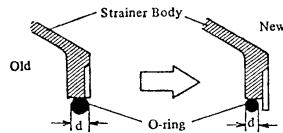
REF.	LEV.	PARTS NO.	DESCRIPTION	Q'TY						I	R
				(A)	(B)	(C)	(D)	(E)	(F)		
1	1	724060-53101	VALVE ASSY, F.INJECT	2							
2	2	103854-53100	BODY, F.I. VALVE	2							
3	2	124770-53000	NOZZLE ASSY,F.INJECT	2							
4	2	104200-53080	HOLDER, VALVE W/CASE	2							
5	2	113200-53110	SPINDLE, INTER	2							
6	2	103854-53120	SPRING, NOZZLE	2							
7	2	113200-53120	SHOE, SPRING	2							
8	2	110250-53150	SHIM SET	2							
9	2	103854-53180	RETAINER, NOZ.SPRING	2							
10	2	172100-53200	GASKET	2							

Fig.13.FUEL SYSTEM

(A)=2QM15
(B)=
(C)= (D)=
(E)=
(F)=



Remarks:
REFER No.6-1 : Shall be supplied by new part(121370-55601) in the future. Since the O-ring of this complete part becomes finer than the old one as shown in sectional view given below, pay your attention to this regard when repairing an engine equipped with the new type strainer.



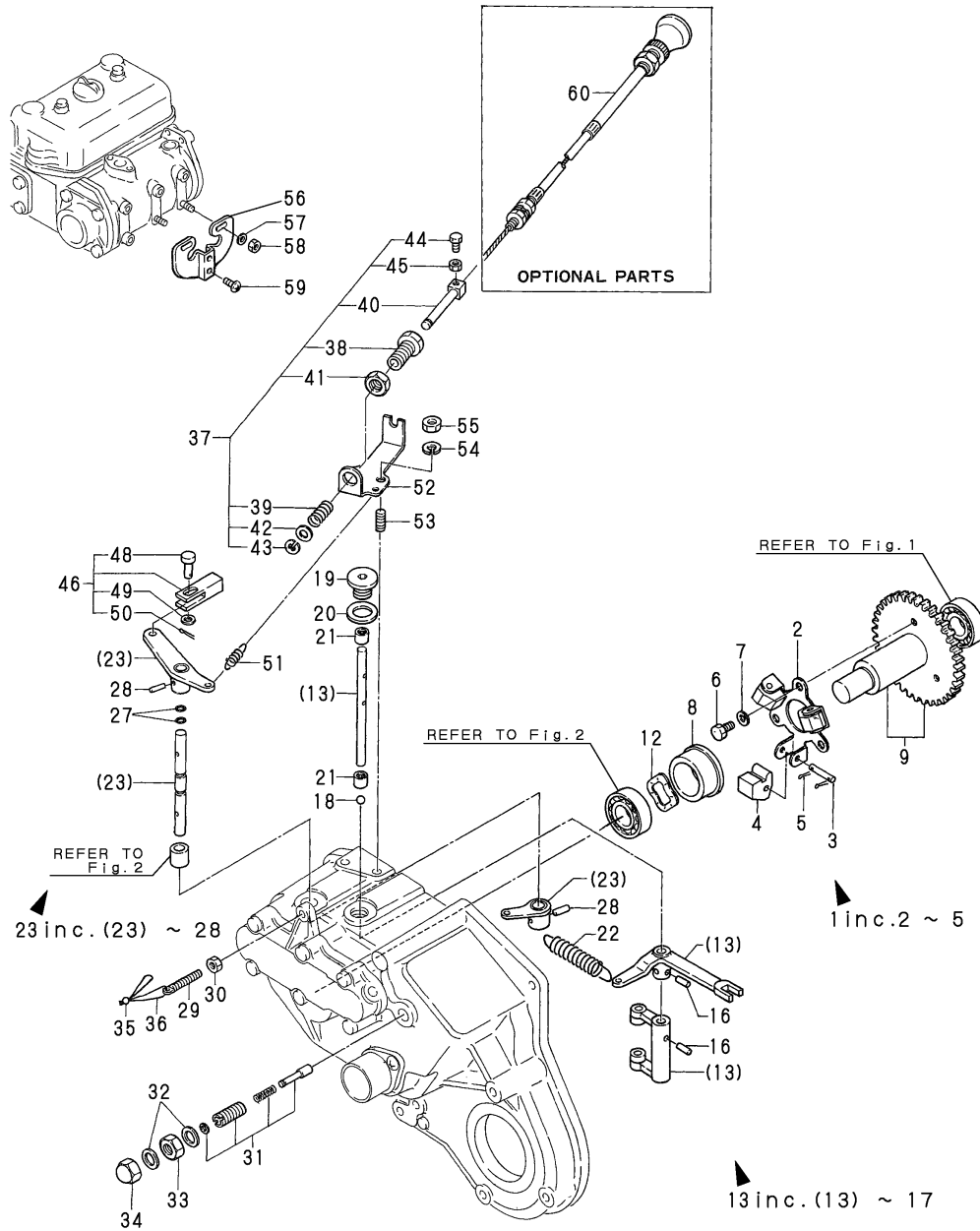
Major points of difference.

- (1) Strainer body : In the case of the new type, the O-ring contact part of the retainer tightening area becomes two-face contacting.
- (2) O-ring : Thickness (W) of the O-ring is 3.5mm for old type or 2mm for new type.

REF.	LEV.	PARTS NO.	DESCRIPTION	QTY						I	R
				(A)	(B)	(C)	(D)	(E)	(F)		
1	1	121370-55600	STRAINER ASSY, FUEL	1							
1-1	1	121370-55601	STRAINER ASSY, FUEL	1							N
(A=E/#84153)											
3	2	104500-55710	ELEMENT, FUEL	1							
4	2	121370-55730	CUP, STRAINER	1							
5	2	110250-55610	RING, RETAINING	1							
6	2	102103-55520	O-RING	1							
6-1	2	24341-000440	O-RING 1A S-44.0	1							S
(A=EXXX)											
7	2	101720-55750	PLUG, 6	1							
8	2	23418-060000	GASKET 6, NYLON	1							
9	1	26116-060162	BOLT 6X16	2							
10	1	124070-59810	PIPE (A), F. INJECT.	1							
11	1	124070-59820	PIPE (B), F. INJECT.	1							
12	1	124060-59900	CLAMP	2							
13	1	26557-060122	SCREW M 6X 12,PAN HD	1							
14	1	26716-060002	NUT 6	1							
15	1	124070-59010	PIPE ASSY, FUEL OIL	1							
16	1	124070-59030	PIPE (B) ASSY, FUEL	1							
17	1	105584-59090	PIPE, FUEL OIL	1							
18	1	105582-59150	BOLT, PIPE JOINT	2							
19	1	104200-59170	GASKET 12	1							
20	1	124070-59650	UNION	1							
21	1	124772-59660	JOINT	1							
22	1	124772-59670	CAP NUT	1							
23	1	23414-080000	GASKET 8, ROUND	4							
24	1	23414-120000	GASKET 12, ROUND	4							
25	1	23857-060000	JOINT BOLT 6	2							
26	1	124070-52010	PUMP ASSY, FUEL FEED	1							
27	1	124223-01850	GASKET	1							
28	1	26216-060162	STUD M 6X 16 PLATED	2							
29	1	22217-060000	SPRING WASHER 6	2							
30	1	26716-060002	NUT 6	2							
31	1	124070-59500	PIPE, FUEL RETURN	1							
32	1	124450-39240	RETAINER, PIPE	1							
32-1	1	121400-39240	RETAINER, PIPE	1							N
(A=E/#81882)											
33	1	101147-59810	BOLT 8, PIPE JOINT	3							
34	1	23418-080000	PACKING	6							
34-1	1	23414-080000	GASKET 8, ROUND	6							R
(A=EXXX)											
35	1	83211-002013	TANK ASSY, FUEL	1							1
36	1	124070-59060	PIPE, FUEL OIL	1							1
38	2	105582-59190	JOINT, PIPE	1							1
39	2	138603-59380	CAP NUT	1							1
40	2	23010-014000	CLAMP 14	2							1

Remarks
(1)OPTIONAL

Fig.14.GOVERNOR



(A)=2QM15
(B)=
(C)=

(D)=
(E)=
(F)=

REF.	LEV.	PARTS NO.	DESCRIPTION	QTY						I	R
				(A)	(B)	(C)	(D)	(E)	(F)		
1	1	724070-61520	WEIGHT ASSY, GOV.	1							
2	2	124070-61110	SUPPORT, GOV. WEIGHT	1							
3	2	124070-61220	PIN, GOVERNOR WEIGHT	3							
4	2	104211-61200	WEIGHT, GOVERNOR	3							
5	2	22417-200200	COTTER PIN 2.0X20	6							
6	1	26116-060122	BOLT 6X12	3							
7	1	22217-060000	SPRING WASHER 6	3							
8	1	124070-61600	SLEEVE	1							
9	1	124070-61090	SHAFT ASSY, GOVERNOR	1							
12	1	124070-61900	WASHER 20	1							
13	1	724070-61500	LEVER ASSY, GOVERNOR	1							
16	2	22322-030160	TAPER PIN 3X16	2							
18	1	24190-080001	BALL 1/4, STEEL	1							
19	1	124070-61910	PLUG M16	1							
19-1	1	23883-160002	PLUG 16	1							R
(A=EXXX)											
20	1	43400-500490	SEAL WASHER 16S	1							
20-1	1	23414-160000	GASKET 16, ROUND	1							R
(A=EXXX)											
21	1	104211-61520	ROLLER BEARING FJ-79	2							
22	1	124060-66010	SPRING, REGULATOR	1							
22-1	1	124070-66010	SPRING, REGULATOR	1							N
(A=E/#80113)											
23	1	724070-66530	HANDLE ASSY, REGULAT	1							
27	2	24311-000050	O-RING 1A P-5.0	2							
28	2	22322-030160	TAPER PIN 3X16	2							
29	1	103854-66420	SCREW, ADJUST	1							
30	1	26756-060002	LOCK NUT 6	1							
31	1	124070-66550	CONTROLLER ASSY	1							
32	1	43400-500430	SEAL WASHER 10S	2							
33	1	26756-100002	LOCK NUT M10 PLATED	1							
34	1	26667-100002	NUT, CAP 10	1							
35	1	135210-61090	LEAD	1							
36	1	22451-100000	WIRE 1.0	1							
37	1	124772-66700	ADJUSTER ASSY	1							
38	2	124772-66700	ADJUSTER ASSY	1							
39	2	124772-66720	SPRING, ADJUSTER	1							
40	2	124772-66730	PIN, IDLE ADJUSTER	1							
41	2	124772-66750	LOCK NUT M12	1							
42	2	124772-66760	WASHER	1							
43	2	22272-000040	CIRCLIP E- 4	1							
44	2	26113-050128	BOLT M 5X 12	1							
45	2	26753-050002	NUT M 5	1							
46	1	124772-66200	JOINT ASSY	1							
48	2	124772-66220	PIN	1							
49	2	22113-050000	WASHER 5	1							
50	2	22414-160100	COTTER PIN 1.6X10	1							
51	1	124070-66100	SPRING, RETURN	1							
52	1	124070-66740	BRACKET, ADJUSTER	2							
53	1	26226-060122	STUD M 6X 12 PLATED	1							
54	1	22217-060000	SPRING WASHER 6	2							
55	1	26716-060002	NUT 6	2							
56	1	124070-67100	BRACKET, CABLE	1							
57	1	22117-080000	WASHER 8	2							

++ CONTINUE ++

Remarks
(1)OPTIONAL

Fig.14.GOVERNOR

(A)=2QM15

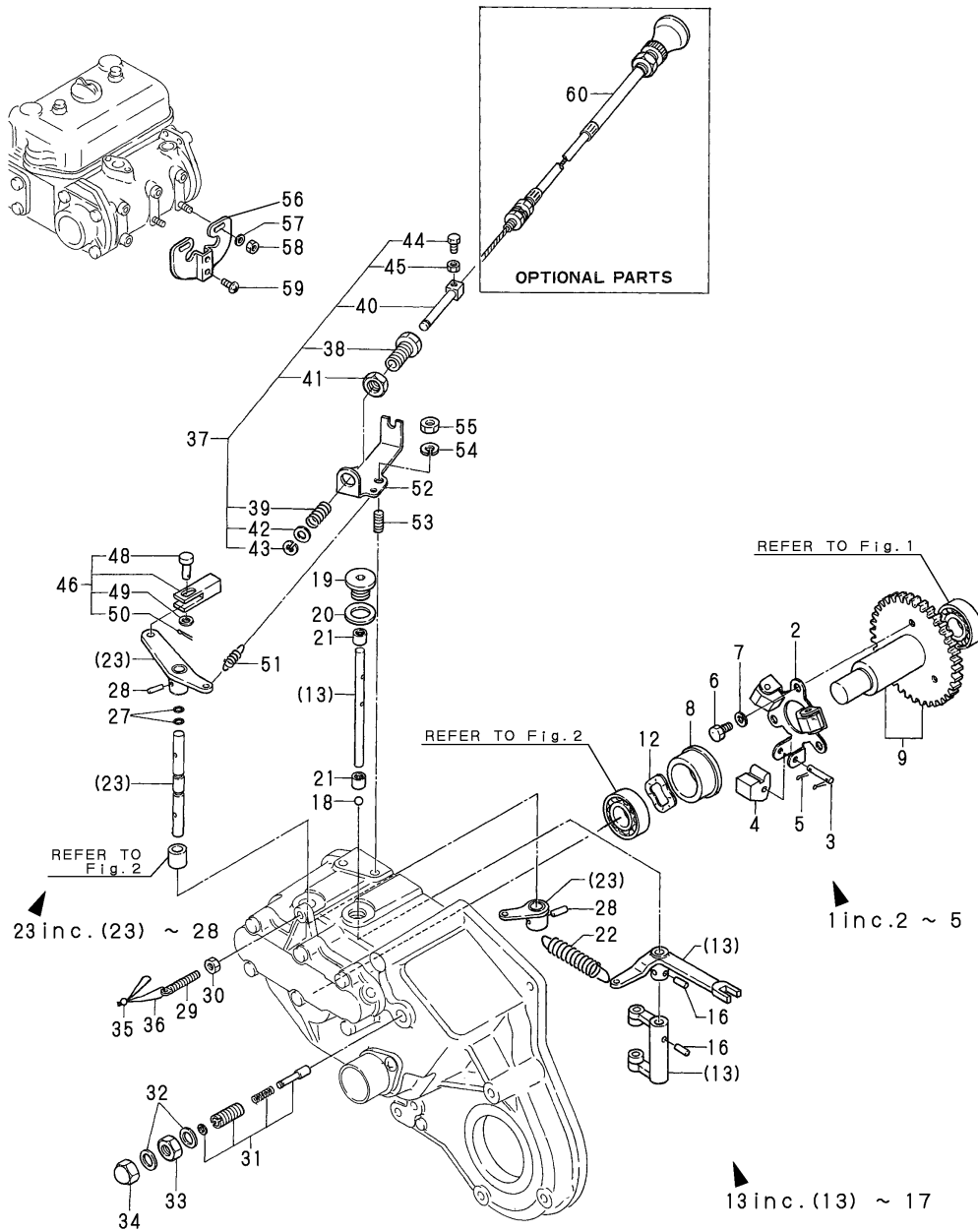
(B)=

(C)=

(D)=

(E)=

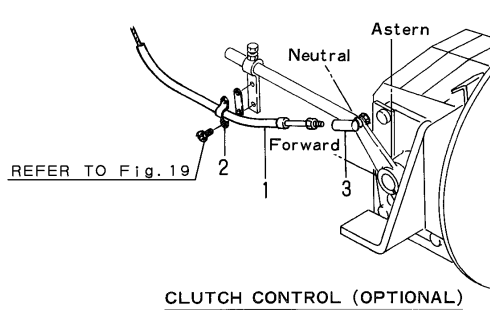
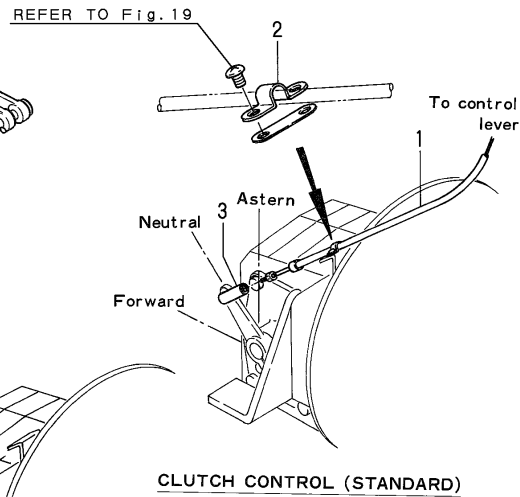
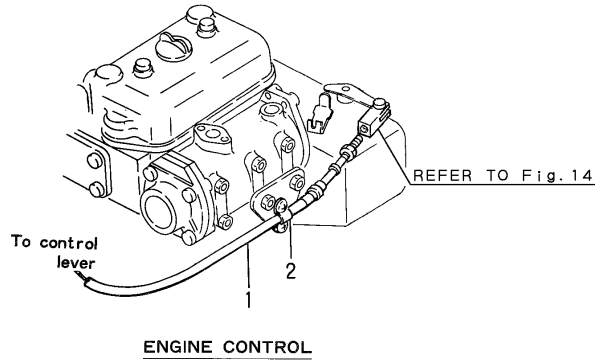
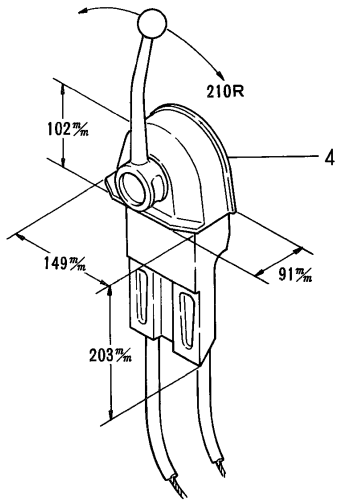
(F)=



REF.	LEV.	PARTS NO.	DESCRIPTION	QTY						I	R
				(A)	(B)	(C)	(D)	(E)	(F)		
58	1	26756-080002	LOCK NUT M 8 PLATED	2							
59	1	26557-050102	SCREW M 5X 10	2							
60	1	124070-67550	CABLE (L=3000), STOP	1							1

Remarks
 (1)OPTIONAL

Fig.15.REMOTE-CONTRLROL DEVICE(OPTIONAL)



(A)=2QM15 (D)=
(B)= (E)=
(C)= (F)=

REF.	LEV.	PARTS NO.	DESCRIPTION	QTY						I	R	
				(A)	(B)	(C)	(D)	(E)	(F)			
1	1	41710-000380	CABLE L=4000	2								
2	1	41710-000410	CLAMP	2								
3	1	41710-000790	JOINT	1								
4	1	41730-000680	HEAD, REMOTE-CONTROL	1								
5	1	41710-000400	CLEVIS	1								W
(A=EXXX)												

Fig.16.STARTING MOTOR & GENERATOR

(A)=2QM15

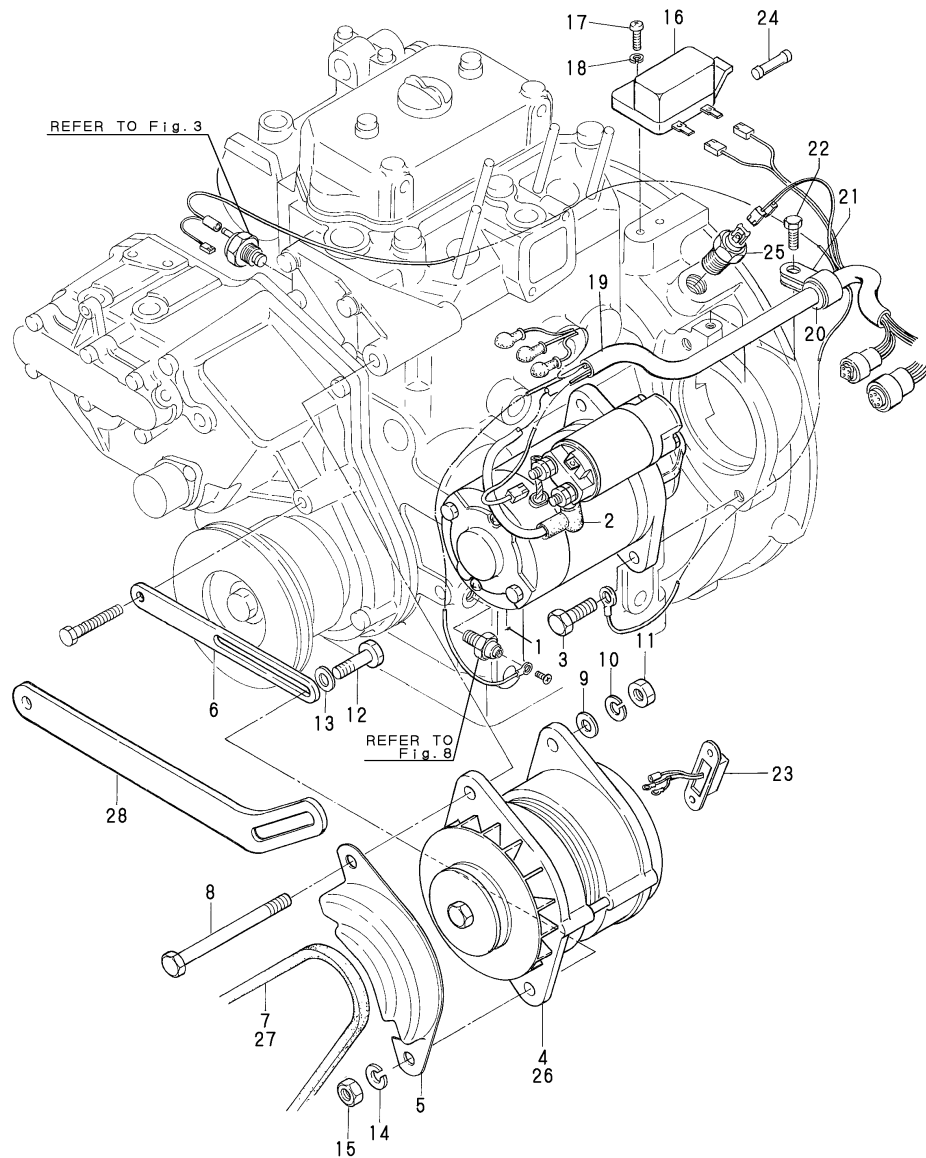
(B)=

(C)=

(D)=

(E)=

(F)=



REF.	LEV.	PARTS NO.	DESCRIPTION	QTY						I	R
				(A)	(B)	(C)	(D)	(E)	(F)		
1	1	124070-77010	STARTER(1.3KW/S-230)	1							
2	1	124550-77030	COVER, TERMINAL	1							
3	1	26116-100302	BOLT 10X30	2							
4	1	121370-77200	GENERATOR	1							
4-1	1	128170-77200	GENERATOR	1							R
(A=E/#89088)											
5	1	121250-77210	COVER, GENERATOR	1							
6	1	124450-77330	ADJUSTER, BELT	1							
7	1	105582-77790	V-BELT (31 INCH)	1							
8	1	26116-081202	BOLT M 8X120 PLATED	1							
9	1	22117-080000	WASHER 8	1							
10	1	22217-080000	SPRING WASHER 8	1							
11	1	26716-080002	NUT M8	1							
12	1	26116-080322	BOLT M 8X 32 PLATED	1							
13	1	22117-080000	WASHER 8	1							
14	1	22217-080000	SPRING WASHER 8	1							
15	1	26716-080002	NUT M 8	1							
16	1	124070-77800	BOX, FUSE	1							
16-1	1	124070-77801	BOX, FUSE (30A)	1							N
(A=E/#85304)											
17	1	26557-050162	SCREW M 5X 16	2							
18	1	22217-050000	SPRING WASHER 5	2							
19	1	124070-77920	HARNES, WIRE	1							
20	1	124770-77940	PROTECTOR	1							
21	1	124070-77950	CLAMP	1							
22	1	26116-080122	BOLT M 8X 12 PLATED	1							
23	1	121370-77950	REGULATOR (TR1Z-28)	1							
24	1	46150-003660	FUSE 20A	1							
24-1	1	46150-003680	FUSE 30A	1							N
(A=E/#85304)											
25	1	124070-91160	SENDER	1							1
26	1	124070-77200	GENERATOR (LR155-04)	1							1
27	1	104107-44780	V-BELT	1							1
28	1	124070-77330	ADJUSTER, BELT	1							1

Remarks:
 REFER No.4-1-marked parts : GENERATOR (AC) changed in Type from LR13531 to LR13574, effective from Aug.1980 Engine serial number : From E/#89088~
 Interchangeable between Old Type and New Type by GENERATOR ASS'Y. However some component parts of Old Type and New Type are not interchangeable.

Remarks
 (1)OPTIONAL

Fig.17.INSTRUMENT PANEL

(A)=2QM15

(B)=

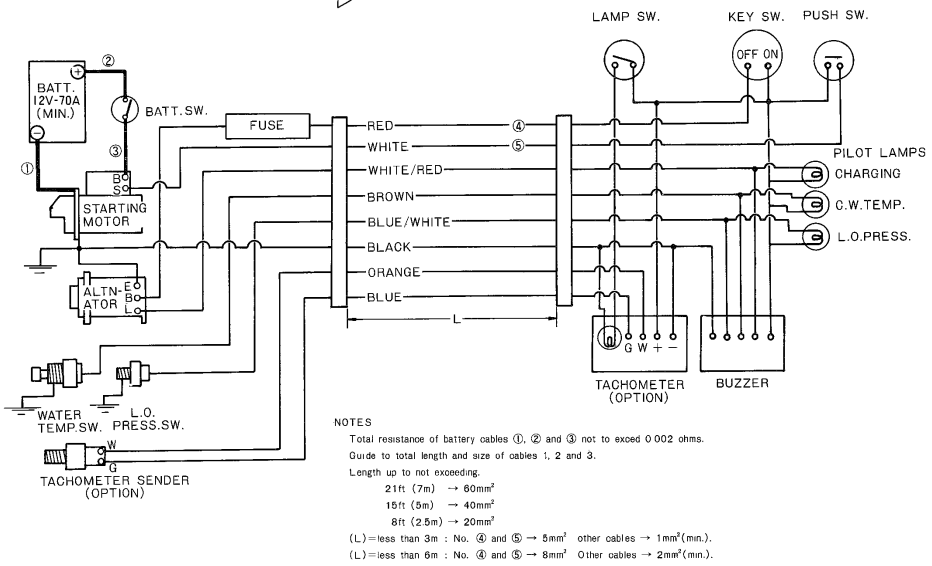
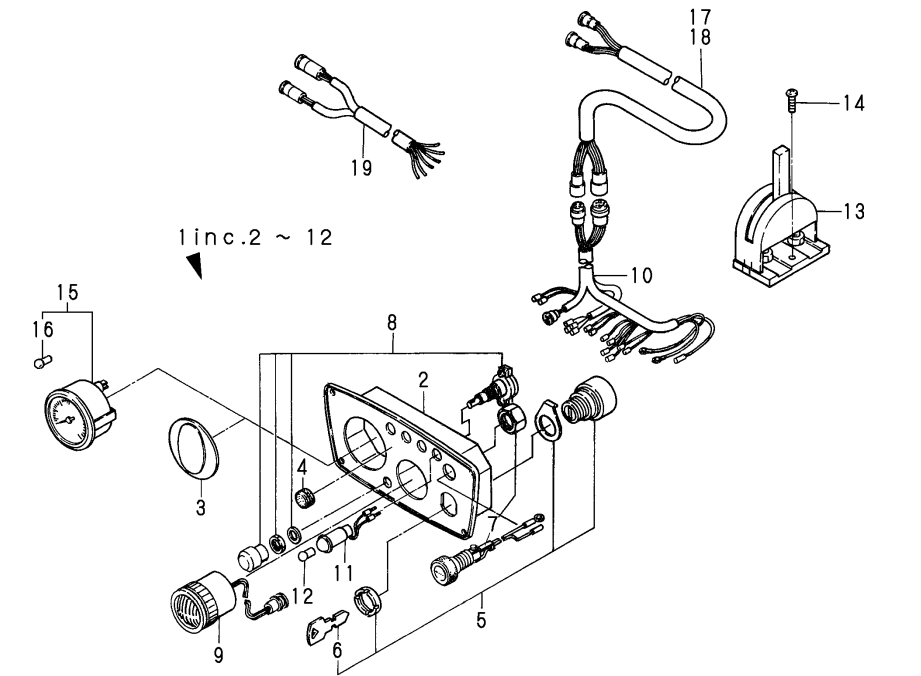
(C)=

(D)=

(E)=

(F)=

REF.	LEV.	PARTS NO.	DESCRIPTION	----- Q'TY -----						I	R
				(A)	(B)	(C)	(D)	(E)	(F)		
1	1	124070-91000	PANEL ASSY, INSTRUM.	1							
2	2	124070-91010	HOUSING, PANEL	1							
3	2	124770-91200	COVER 80	1							
4	2	124770-91230	COVER 16	1							
5	2	124070-91250	SWITCH W/KEY	1							
6	3	124070-91290	KEY, SWITCH	1							
7	2	124070-91300	SWITCH	1							
8	2	124070-91310	SWITCH	1							
9	2	124070-91350	BUZZER	1							
9-1	2	104271-91350	BUZZER	1							R
		(A=EXXX)									
9-2	2	104271-91351	BUZZER	1							N
		(A=E/#84741)									
10	2	124070-91030	HARNES	1							
11	2	124770-91040	LAMP, PILOT	3							
12	3	46150-001110	BULB(12V3W/G11.BA9S)	3							
13	1	123310-77640	SWITCH, BATTERY	1							1
14	1	22724-800380	SCREW 8X 38	2							1
15	1	124070-91100	TACHOMETER	1							1
16	2	46150-001110	BULB(12V3W/G11.BA9S)	1							W 1
		(A=E/#83752)									
17	1	124770-91500	CORD	1							2
18	1	124070-91520	WIRE, EXTENSION 6M	1							2
19	1	124070-91550	OPEN WIRE	1							



Remarks
 (1)OPTIONAL
 (2)SELECTION USE PART.

Fig.18.CLUTCH HOUSING

(A)=2QM15

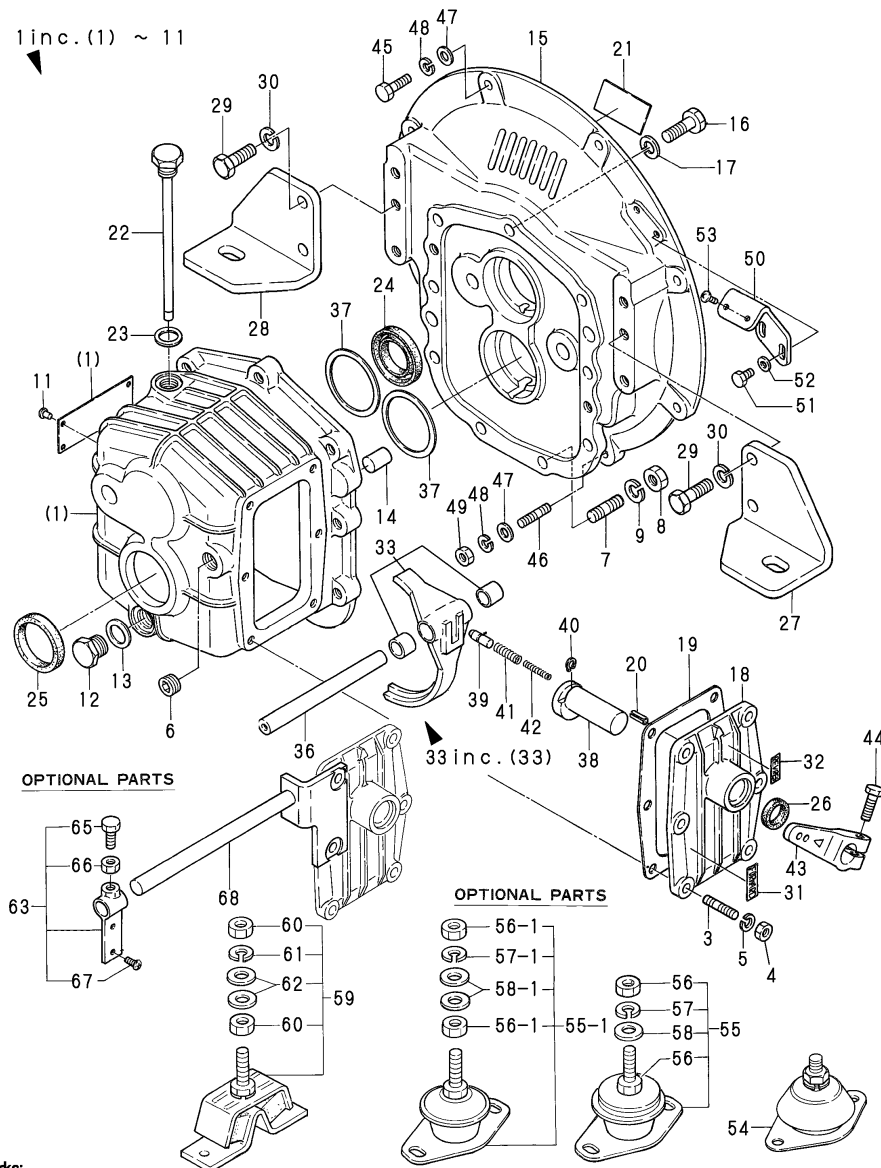
(B)=

(C)=

(D)=

(E)=

(F)=



Remarks:
 REFER No.55-1-marked parts : Interchangeable between new type & old type by MOUNTING ASSY.
 However its component parts differ between the new type and the old type.
 Consequently, in the future case of fitting the new type parts, it is necessary to accept on of parts upon full confirmation in parts supply.

Remarks
 (1)OPTIONAL

REF.	LEV.	PARTS NO.	DESCRIPTION	QTY						I	R
				(A)	(B)	(C)	(D)	(E)	(F)		
1	1	777099-02550	HOUSING ASSY, CLUTCH	1							
3	2	26216-080222	STUD M 8X 22 PLATED	6							
4	2	26716-080002	NUT M 8	6							
5	2	22287-080000	LOCKING WASHER	6							
6	2	177099-06050	PLUG	1							
7	2	26226-100252	STUD M10X 25 PLATED	4							
8	2	26716-100002	NUT 10	4							
9	2	22287-100000	WASHER 10	4							
11	2	102210-07990	RIVET	4							
12	1	23884-160002	PLUG 16,HEX.	1							
12-1	1	23883-160002	PLUG 16	1							R
(A=EXXX)											
13	1	23414-160021	GASKET 16	1							
14	1	177099-02130	STRAIGHT PIN	2							
15	1	177080-02030	FLANGE, MOUNTING	1							
16	1	26116-100302	BOLT 10X30	5							
17	1	22287-100000	WASHER 10	5							
18	1	177099-02081	COVER, SIDE	1							
19	1	177099-02091	GASKET	1							
20	1	22352-040012	SPRING PIN 4X 12	1							
21	1	177095-02400	LABEL	1							
22	1	177099-02450	DIPSTICK W/BREATHER	1							
23	1	23414-160021	GASKET 16	1							
24	1	177099-02950	SEAL, OIL	1							
25	1	177099-02960	SEAL, OIL	1							
26	1	177095-02980	SEAL, OIL	1							
27	1	177080-02720	BRACKET (A)	1							
28	1	177080-02730	BRACKET (B)	1							
29	1	26116-100302	BOLT 10X30	4							
30	1	22287-100000	WASHER 10	4							
31	1	177090-02620	LABEL	1							
32	1	177090-02630	LABEL	1							
33	1	177099-06010	FORK ASSY, SHIFT	1							
36	1	177099-06041	SHAFT, SHIFT	1							
37	1	177099-02250	SHIM SET	2							
38	1	177095-06030	CAM, SHIFT	1							
39	1	177095-06050	PIN	1							
40	1	177095-06140	CIRCLIP	1							
41	1	177095-03200	SPRING	1							
42	1	177095-06060	SPRING	1							
43	1	177095-06040	LEVER	1							
44	1	26116-080252	BOLT M 8X 25 PLATED	1							
45	1	26116-080282	BOLT M 8X 28 PLATED	6							
46	1	26226-080222	STUD M 8X 22 PLATED	2							
47	1	22117-080000	WASHER 8	8							
48	1	22217-080000	SPRING WASHER 8	8							
49	1	26716-080002	NUT M 8	2							
50	1	124070-86300	BRACKET, CABLE	1							
51	1	26116-060122	BOLT 6X12	2							
52	1	22117-060000	WASHER 6	2							
53	1	26557-050102	SCREW M 5X 10	2							
54	1	104271-08340	MOUNTING, FLEXIBLE	4							1
55	1	124070-08340	MOUNTING, FLEXIBLE	4							1
55-1	1	124070-08341	MOUNTING, FLEXIBLE	4							N 1

++ CONTINUE ++

Fig.18.CLUTCH HOUSING

(A)=2QM15

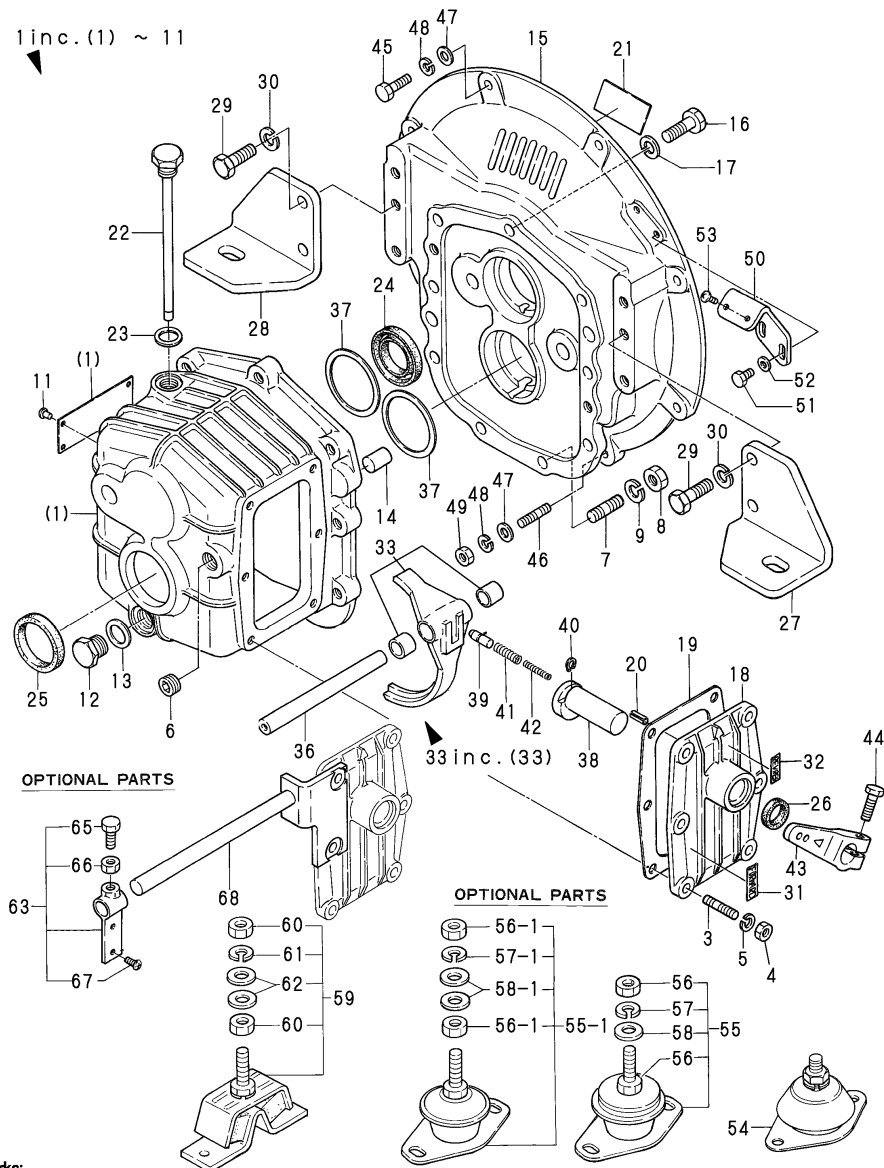
(B)=

(C)=

(D)=

(E)=

(F)=



Remarks:
 REFER No.55-1-marked parts : Interchangeable between new type & old type by MOUNTING ASS'Y.
 However its component parts differ between the new type and the old type.
 Consequently, in the future case of fitting the new type parts, it is necessary to accept on of parts upon full confirmation in parts supply.

REF.	LEV.	PARTS NO.	DESCRIPTION	QTY						I	R	
				(A)	(B)	(C)	(D)	(E)	(F)			
		(A=*1979.05)										
56	2	26716-120002	NUT 12		8							1
56-1	2	26716-140002	NUT M14		8							S 1
		(A=*1979.05)										
57	2	22217-120000	SPRING WASHER		4							1
57-1	2	22217-140000	SPRING WASHER 14		4							S 1
		(A=*1979.05)										
58	2	22137-120000	WASHER 12,POLISHED		4							1
58-1	2	22137-140000	WASHER 14,POLISHED		8							S 1
		(A=*1979.05)										
59	1	124772-08340	MOUNTING, FLEXIBLE		4							1
60	2	26736-140002	NUT M14		8							1
61	2	22217-140000	SPRING WASHER 14		4							1
62	2	22137-140000	WASHER 14,POLISHED		8							1
63	1	124070-86410	BRACKET		1							1
65	2	26116-080182	BOLT 8X18		1							1
66	2	26756-080002	LOCK NUT M 8 PLATED		1							1
67	2	26557-050102	SCREW M 5X 10		2							1
68	1	124070-86400	RETAINER		1							1

Remarks
 (1)OPTIONAL

Fig.19.INPUT SHAFT

(A)=2QM15

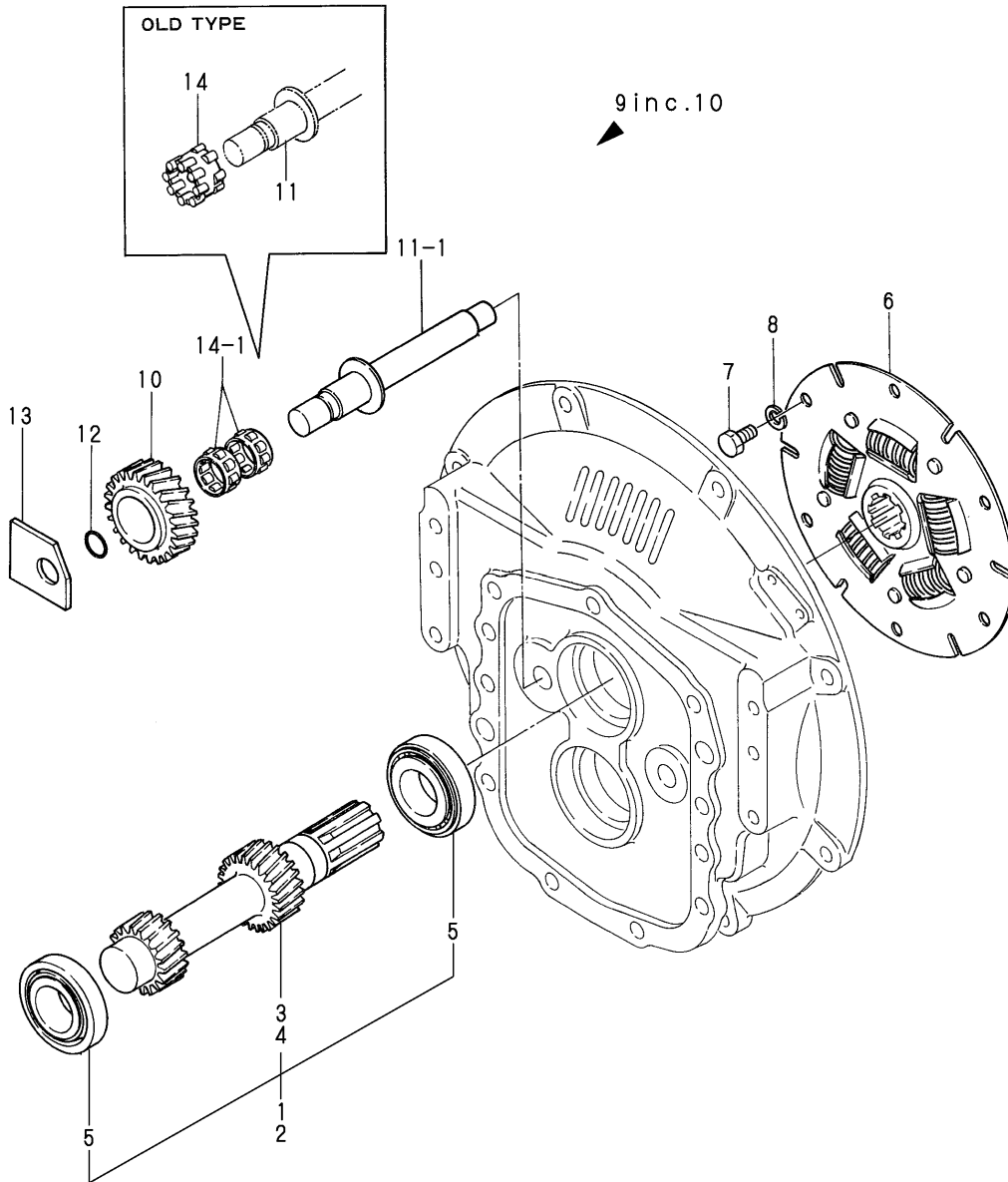
(B)=

(C)=

(D)=

(E)=

(F)=



REF.	LEV.	PARTS NO.	DESCRIPTION	QTY						I	R
				(A)	(B)	(C)	(D)	(E)	(F)		
1	1	777099-03011	SHAFT ASSY, INPUT	1							1
2	1	777099-03211	SHAFT ASSY, INPUT	1							2
3	2	177099-03011	SHAFT, INPUT (I=2)	1							1
4	2	177099-03411	SHAFT, INPUT (I=3)	1							2
5	2	177099-03920	ROLLER BEARING	2							
6	1	124772-81050	DISC,DAMPER	1							
7	1	26116-080142	BOLT 8X14	6							
8	1	22217-080000	SPRING WASHER 8	6							
9	1	777099-03021	SHAFT ASY, IDLE GEAR	1							
10	2	177099-03301	GEAR (Z=25), IDLE	1							
11	2	177099-03311	SHAFT, IDLE GEAR	1							
11-1	2	177099-03980	SHAFT	1							S
(A=E/#1456)											
12	2	24341-000150	O-RING 1A S-15.0	1							
13	2	177099-03321	WASHER, THRUST	1							
14	2	177099-03900	NEEDLE BEARING	1							
14-1	2	177099-03901	NEEDLE BEARING	2							S
(A=E/#1456)											

Remarks
 (1)FOR I=2 (2QM15)
 (2)FOR I=3 (2QM15G)

Fig.20.OUTPUT SHAFT

(A)=2QM15

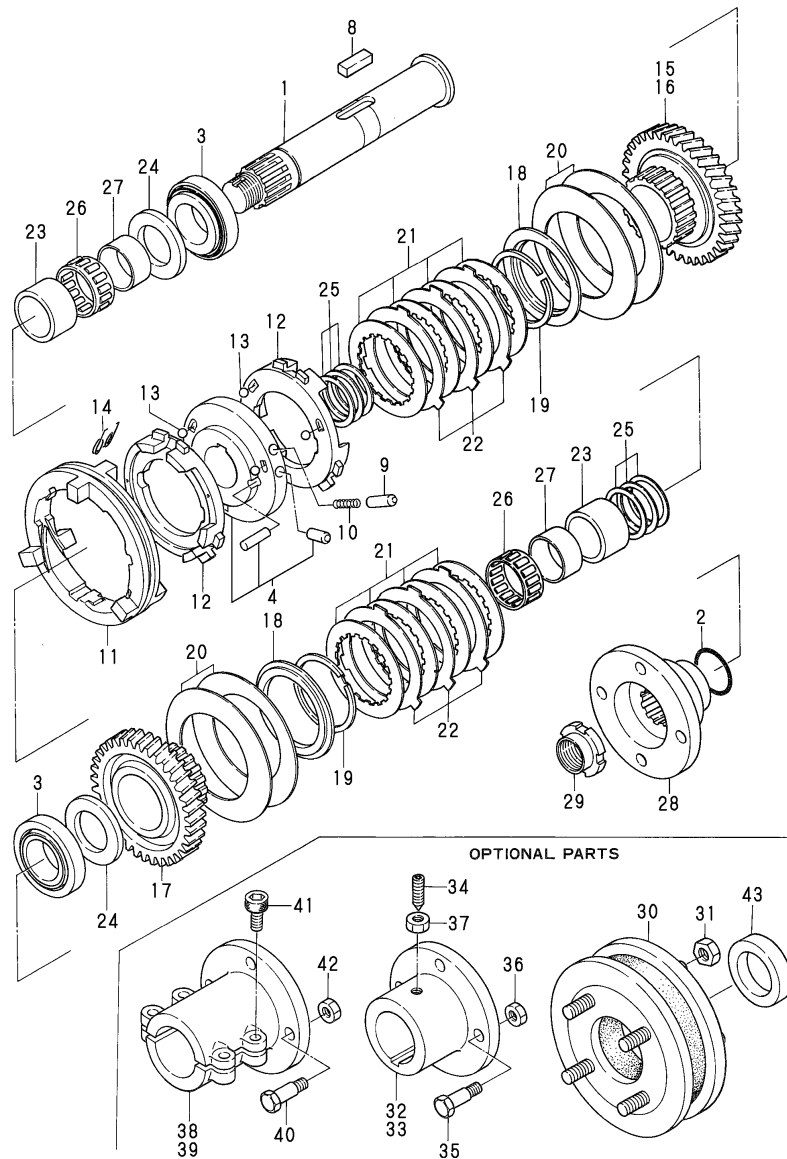
(B)=

(C)=

(D)=

(E)=

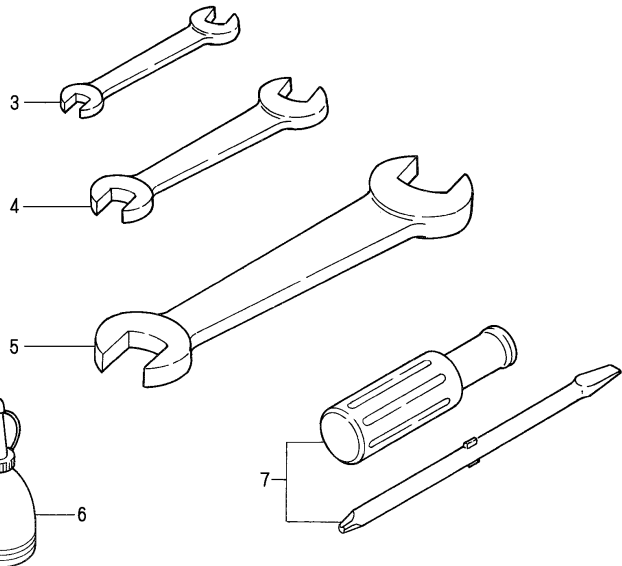
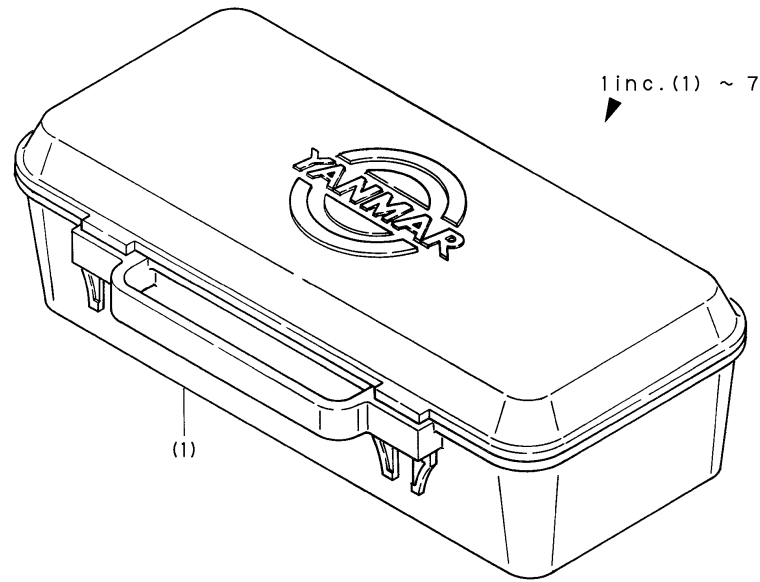
(F)=



REF.	LEV.	PARTS NO.	DESCRIPTION	QTY						I	R
				(A)	(B)	(C)	(D)	(E)	(F)		
1	1	177099-03021	SHAFT, OUTPUT	1							
2	1	24341-000300	O-RING 1A S-30.0	1							
3	1	177099-03920	ROLLER BEARING	2							
4	1	177099-03040	PLATE ASSY, DRIVING	1							
8	1	177090-03230	KEY	1							
9	1	177095-03190	PIN	3							
10	1	177095-03200	SPRING	3							
11	1	177099-03070	RING, SHIFTING	1							
12	1	177099-03080	PLATE, PRESSURE	2							
13	1	177090-03180	BALL 8MM	6							
14	1	177095-03210	SPRING, RETURN	3							
15	1	177099-03101	GEAR (Z=47), FORWARD	1							1
16	1	177099-03431	GEAR (Z=51), FORWARD	1							2
17	1	177099-03111	GEAR (Z=45)	1							
18	1	177090-03110	RETAINER (B)	2							
19	1	177095-03280	CIRCLIP	2							
20	1	177090-03121	SPRING	4							
21	1	177090-03080	DISC, FRICTION	8							
22	1	177090-03090	PLATE, STEEL	6							
23	1	177099-03161	SPACER	2							
24	1	177090-03270	WASHER, THRUST	2							
25	1	177095-03800	SHIM SET	2							
26	1	177095-03900	ROLLER BEARING	2							
27	1	177099-03470	RACE INNER	2							
28	1	177099-03550	COUPLING, OUTPUT	1							
29	1	177099-03540	LOCK NUT	1							
30	1	124770-85400	COUPLING	1							3
31	1	26736-100002	NUT M10	8							3
32	1	48110-025062	COUPLING	1							1
33	1	48110-028062	COUPLING	1							2
34	1	48110-032411	SCREW	1							3
35	1	26116-100322	BOLT M10X 32 PLATED	4							3
36	1	26716-100002	NUT 10	4							3
37	1	26757-080002	LOCK NUT M 8 PLATED	1							3
37-1	1	26756-080002	LOCK NUT M 8 PLATED	1							R 3
(A=E XXX)											
38	1	104214-83980	COUPLING (20), SLIT	1							4
39	1	104214-83990	COUPLING (1 INCH)	1							5
40	1	26116-100322	BOLT M10X 32 PLATED	4							3
41	1	26450-080282	BOLT M 8X 28	4							3
42	1	26716-100002	NUT 10	4							3
43	1	124772-85910	FITTINGS, COUPLING	1							W 3
(A=E XXX)											

Remarks
 (1)FOR I=2 (2QM15)
 (2)FOR I=3 (2QM15G)
 (3)OPTIONAL
 (4)SLIT TYPE 20
 (5)SLIT TYPE 1

Fig.21.TOOL



(OPTIONAL PARTS)

Remarks:

REFER No.6 : From April,1979,the gasoline feeder is availabel as an option.
 Applicable engine serial number : From E/#84819~

(A)=2QM15
 (B)=
 (C)=

(D)=
 (E)=
 (F)=

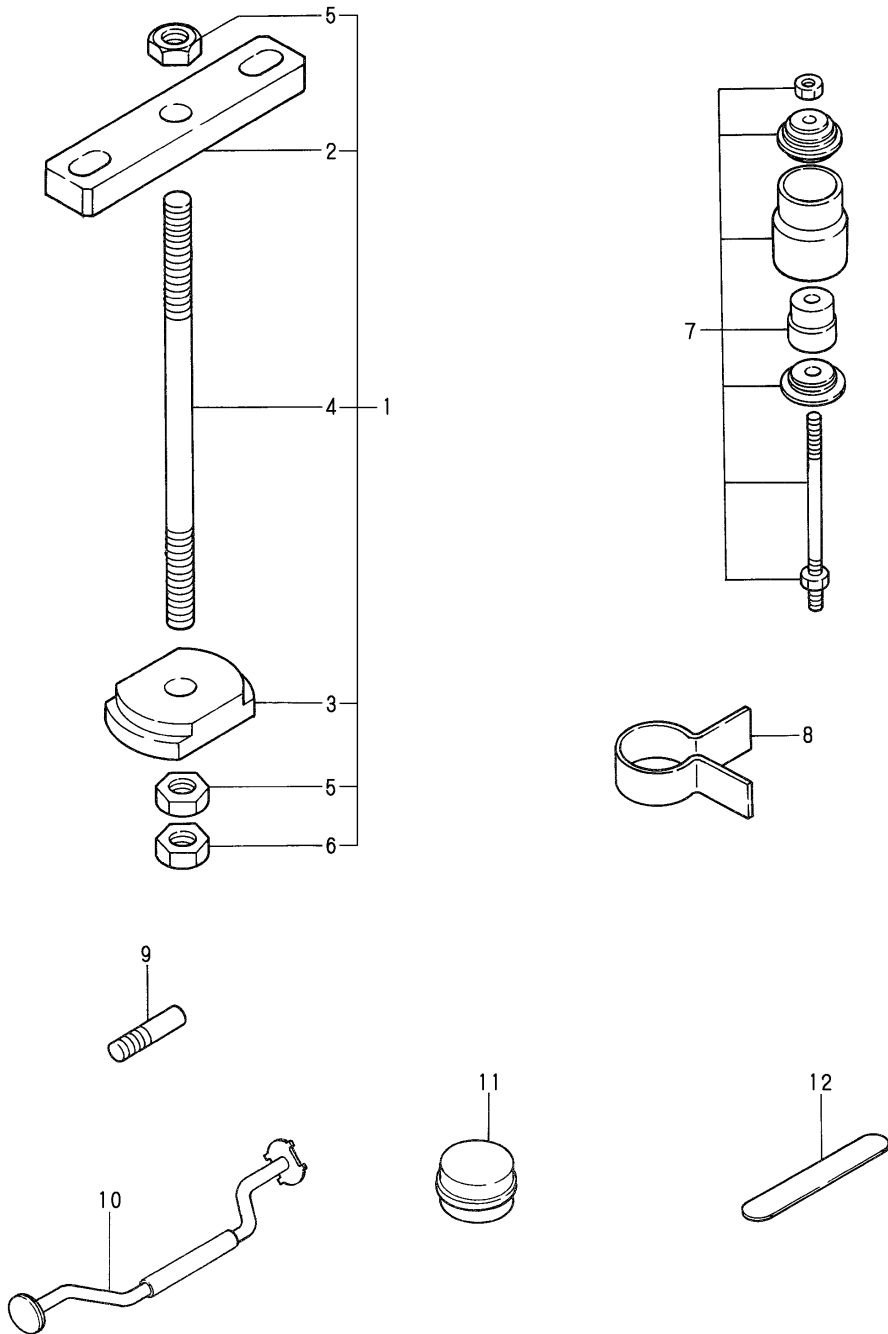
REF.	LEV.	PARTS NO.	DESCRIPTION	----- Q'TY -----						I	R
				(A)	(B)	(C)	(D)	(E)	(F)		
1	1	704507-92100	TOOL ASY	1							
3	2	28110-100130	WRENCH 10X13	1							
4	2	28110-170190	WRENCH 17X19	1							
5	2	28110-220240	WRENCH 22X24	1							
6	2	28210-000150	FEEDER, OIL	1							1
7	2	104200-92350	DRIVER, SCREW	1							

Remarks
 (1)OPTIONAL

Fig.22.SPECIAL TOOL (A)(OPTIONAL)

(A)=2QM15
(B)=
(C)=

(D)=
(E)=
(F)=

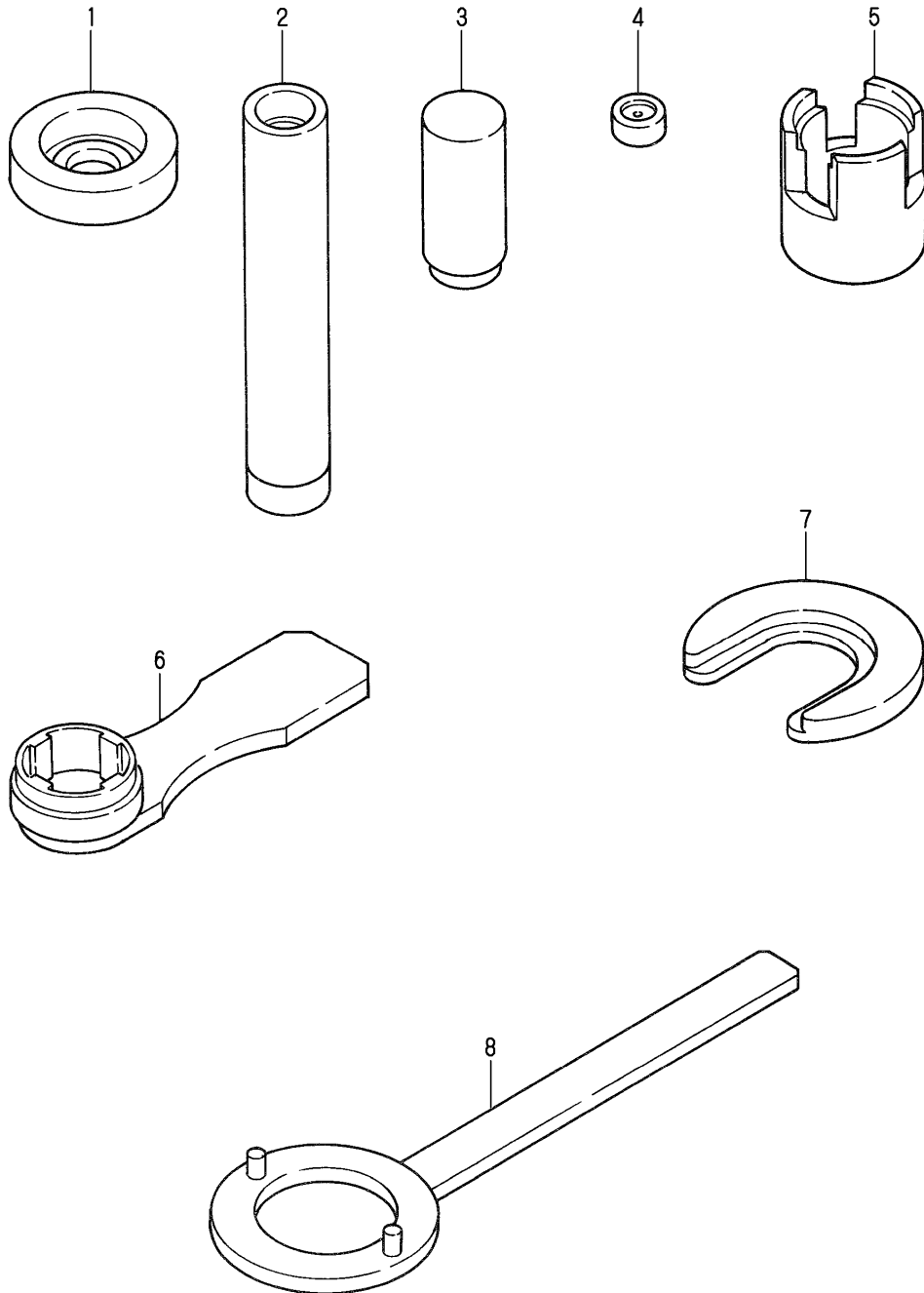


REF.	LEV.	PARTS NO.	DESCRIPTION	----- Q'TY -----						I R
				(A)	(B)	(C)	(D)	(E)	(F)	
1	1	124070-92050	REMOVER ASSY, LINER	1						
2	2	124060-92010	REMOVER, LINER	1						
3	2	124660-92020	PLATE, LOWER	1						
4	2	103338-92030	BOLT	1						
5	2	26716-160002	NUT M16	2						
6	2	26756-160002	LOCK NUT M16 PLATED	1						
7	1	124060-92400	TOOL, MAIN-BEARING	1						
8	1	101300-92140	TOOL, PISTON&RING	1						
9	1	101104-92180	PULLER, NOZZLE	1						
10	1	28210-000031	RAPPING TOOL	1						
11	1	28210-000070	LAPPING POWDER	1						
12	1	28312-150750	THICKNESS GAUGE	1						

(A)=2QM15
(B)=
(C)=

(D)=
(E)=
(F)=

Fig.23.SPECIAL TOOL (B)(OPTIONAL)



REF.	LEV.	PARTS NO.	DESCRIPTION	----- QTY -----						I	R
				(A)	(B)	(C)	(D)	(E)	(F)		
1	1	177090-09010	SPACER	1							
2	1	177095-09020	REPLACER	1							
3	1	177099-09040	REPLACER	1							
4	1	177095-09170	REPLACER	1							
5	1	177095-09070	REPLACER	1							
6	1	177099-09010	WRENCH	1							
7	1	177099-09030	REPLACER	1							
8	1	177099-09020	WRENCH W/PIN	1							

Fig.24.STARTING MOTOR COMPONENT PART

(A)=2QM15

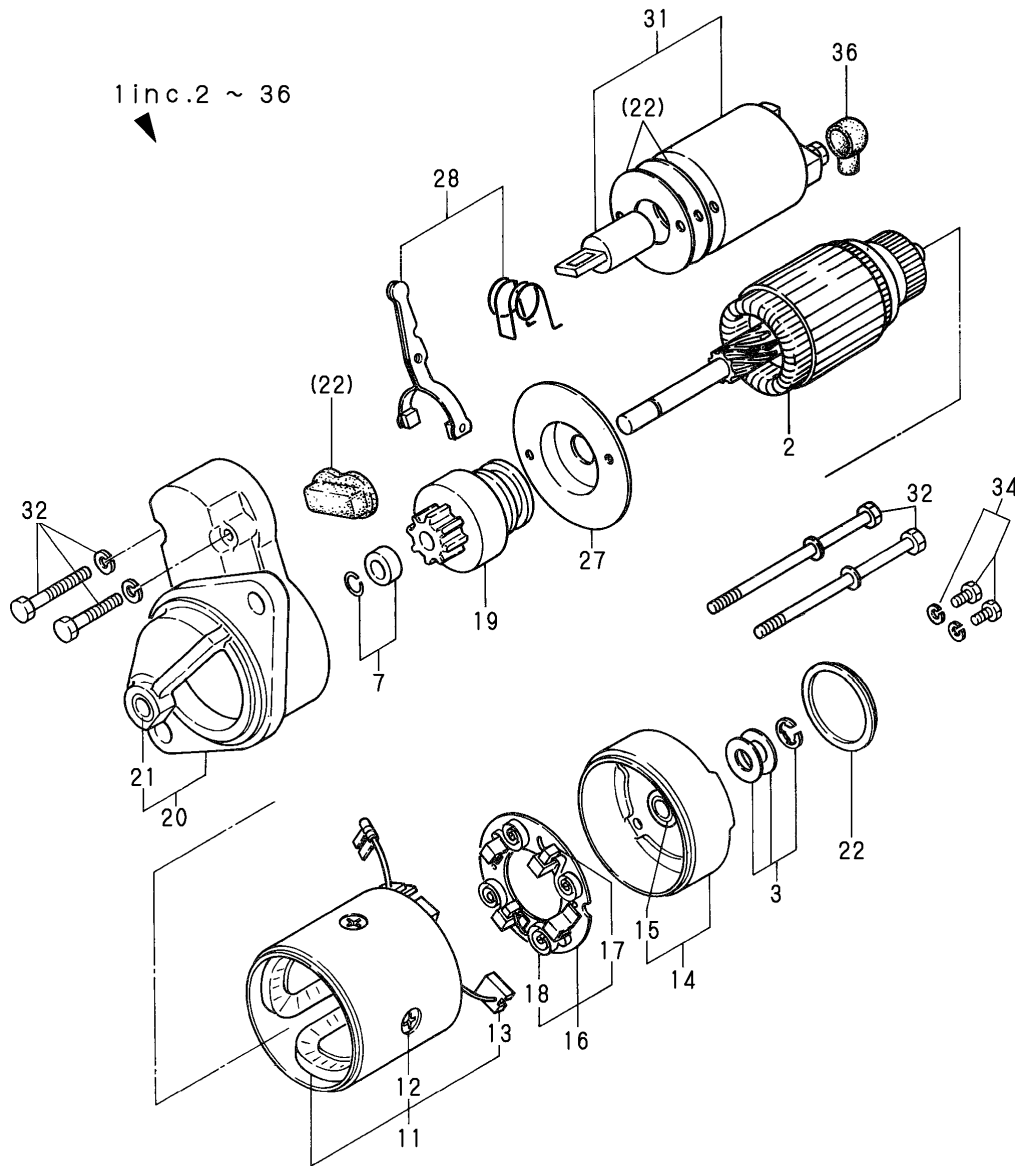
(B)=

(C)=

(D)=

(E)=

(F)=

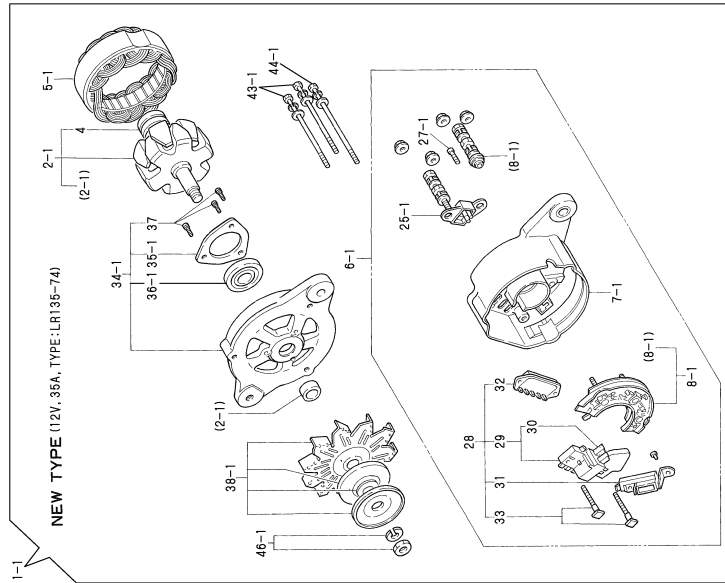


REF.	LEV.	PARTS NO.	DESCRIPTION	----- QTY -----						I	R
				(A)	(B)	(C)	(D)	(E)	(F)		
1	1	124070-77010	STARTER(1.3KW/S-230)	1							
2	2	X211491001	ARMATURE ASSY	1							
3	2	X21148110	WASHER SET, THRUST	1							
7	2	X21147155	STOPPER SET	1							
11	2	X211432001	COIL ASSY, FIELD	1							
12	3	X21147215	SCREW, POLE CORE	4							
13	3	X21145312	BRUSH (+)	2							
14	2	X211453002	COVER ASSY, REAR	1							
15	3	X21145352	METAL	1							
16	2	X21141360	HOLDER ASSY, BRUSH	1							
17	3	X21145313	BRUSH(-)	2							
18	3	X21144314	SPRING, BRUSH	1							
19	2	X211455003	PINION ASSY	1							
20	2	X211416007	CASE ASSY, GEAR	1							
21	3	X21144661	METAL, GEAR CASE	1							
22	2	X21143963	COVER KIT, DUCT	1							
27	2	X21143454	PLATE, CENTER	1							
28	2	X21148652	LEVER SET, SHIFT	1							
31	2	X211467005	SWITCH ASSY, MAGNET	1							
32	2	X21146815	BOLT, THROUGH	2							
33	2	26013-060322	BOLT M 6X 32	2							
34	2	X21142835	SCREW SET	1							
36	2	X21142742	COVER (A), RUBBER	1							

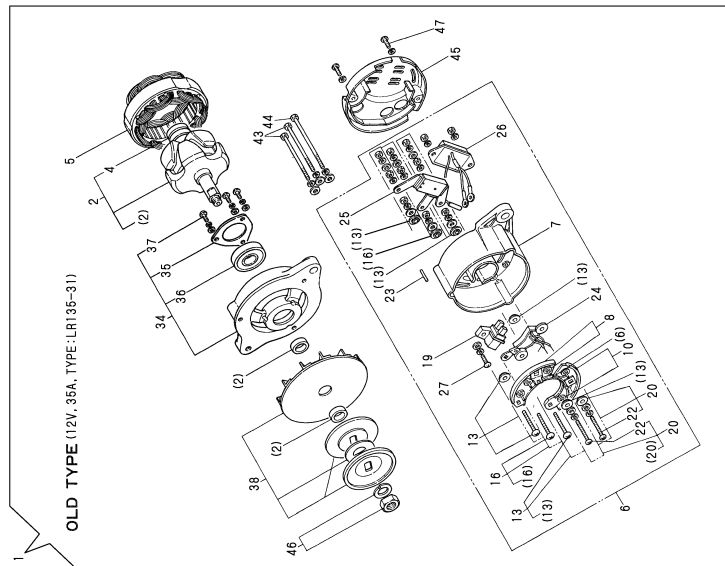
(A)=2QM15
(B)=
(C)=

(D)=
(E)=
(F)=

Fig.25.GENERATOR COMPONENT PART



Remarks:
REF. No. 1-1 modified parts. GENERATOR (AC) was changed in Type from LR1931 to LR1574, effective from Aug. 1980.
Parts No. 1-1 modified parts are not interchangeable between Old Type and New Type by GENERATOR ASSY. However some component parts of Old Type(LR1931) and New Type(LR1574) are not interchangeable.
Consequently when ordering individual parts, confirm of Type of GENERATOR with LABEL provided to the article in question.
Beside, parts supply for GENERATOR shall be operated with New Type(LR13574) in the future to replace the generator of Old Type engine with New Type generator part much attention to this regard in your parts order.



NOTES:
When placing your order of AC generator, if you indicate Model (e.g. UFA04H LR155-51), Mfg. No., Part Name and Part No. of that generator, you will receive the correct parts. Do not place an order for parts without the information, as the parts may be changed to new type by remodeling. Parts replacement, etc. and distinction between old type and new type is difficult to make out from engine No. alone. Thus, pay your attention to this regard.
A. Kindly confirm Model and Mfg. No. of generator from label stuck to the generator being used.
B. Enter Yanmar part No. in your Order Sheet.

Remarks
(1)INC 30.

REF.	LEV.	PARTS NO.	DESCRIPTION	QTY						I	R
				(A)	(B)	(C)	(D)	(E)	(F)		
1	1	121370-77200	GENERATOR	1							
1-1	1	128170-77200	GENERATOR	1							R
		(A=EXXX)									
2	2	XLR135Y1100	ROTOR ASSY	1							S
2-1	2	XL13561001	ROTOR ASSY	1							
		(A=EXXX)									
4	3	X6201SD	BEARING	1							
5	2	XL135Y1200	STATOR ASSY	1							
5-1	2	XL1356200	STATOR ASSY	1							S
		(A=EXXX)									
6	2	XL135Y1300	COVER ASSY, REAR	1							
6-1	2	XL13523001	COVER ASSY, REAR	1							S
		(A=EXXX)									
7	3	XL135Y1301	COVER, REAR	1							
7-1	3	XL1358301	COVER	1							S
		(A=EXXX)									
8	3	XL135Y1302	SR HOLDER (+)	1							
8-1	3	XL1353320	DIODE ASSY	1							S
		(A=EXXX)									
10	3	XL135Y1303	SR HOLDER (-)	1							Z
		(A=EXXX)									
13	3	XL135Y1310	TERMINAL ASSY	2							Z
		(A=EXXX)									
16	3	XL135Y1311	TERMINAL ASSY	1							Z
		(A=EXXX)									
19	3	XL135Y1320	BRUSH HOLDER ASY	1							Z
		(A=EXXX)									
20	3	XL135Y1803	SCREW SET	2							Z
		(A=EXXX)									
22	4	26557-050362	SCREW M5X 36	2							Z
		(A=EXXX)									
23	3	XL135Y1810	LOCK, BEARING	1							Z
		(A=EXXX)									
24	3	XMV11305	CONTROL UNIT, FIELD	1							Z
		(A=EXXX)									
25	3	XMV11306	CR ASSY	1							
25-1	3	XL1202310	BOLT ASSY, TERMINAL	1							S
		(A=EXXX)									
26	4	XTR1Z28	IC REGULATOR	1							Z
		(A=EXXX)									
27	3	26557-050162	SCREW M 5X 16	1							
27-1	3	26557-050142	SCREW M 5X 14	1							S
		(A=EXXX)									
28	3	XL13533151	BRUSH W/REGURATOR	1							W
		(A=EXXX)									
29	4	XL1208326	BRUSH ASSY	1							W 1
		(A=EXXX)									
30	4	XL12013262	BRUSH	2							W
		(A=EXXX)									
31	4	XL1351318	CONDENSER	1							W
		(A=EXXX)									
32	4	XTR1Z49	IC REGULATOR	1							W
		(A=EXXX)									
33	4	XL13513134	BOLT M5	2							W

++ CONTINUE ++

Fig.25.GENERATOR COMPONENT PART

(A)=2QM15

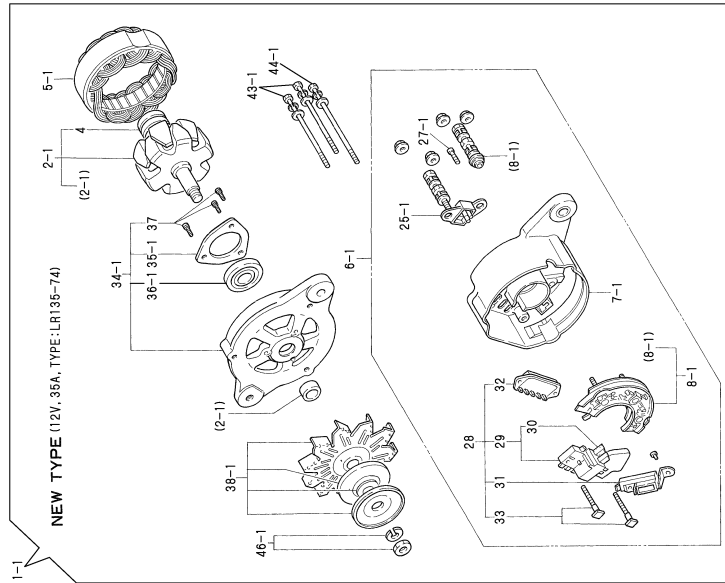
(B)=

(C)=

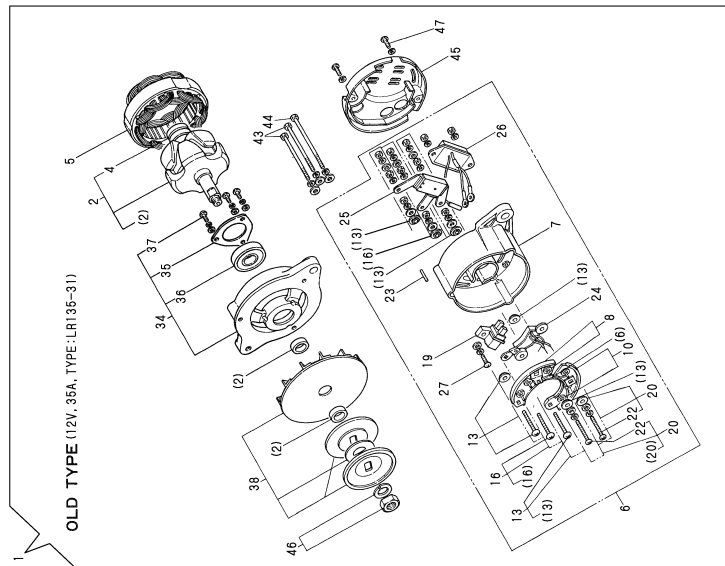
(D)=

(E)=

(F)=



Remarks:
 REF. No. 1-1 marked parts: GENERATOR (AC) was changed in Type from LR193S1 to LR1574, effective from Aug. 1990.
 Interchangeable between Old Type and New Type by GENERATOR ASSY. However some component parts of Old Type(LR193S1) and New Type(LR1574) are not interchangeable.
 Consequently when ordering individual parts, confirm of Type of GENERATOR with LABEL provided to the article in question.
 Beside, parts supply for GENERATOR shall be operated with New Type(LR13574) in the future to replace the generator of Old Type engine with New Type generator. Please pay much attention to this regard in your parts order.



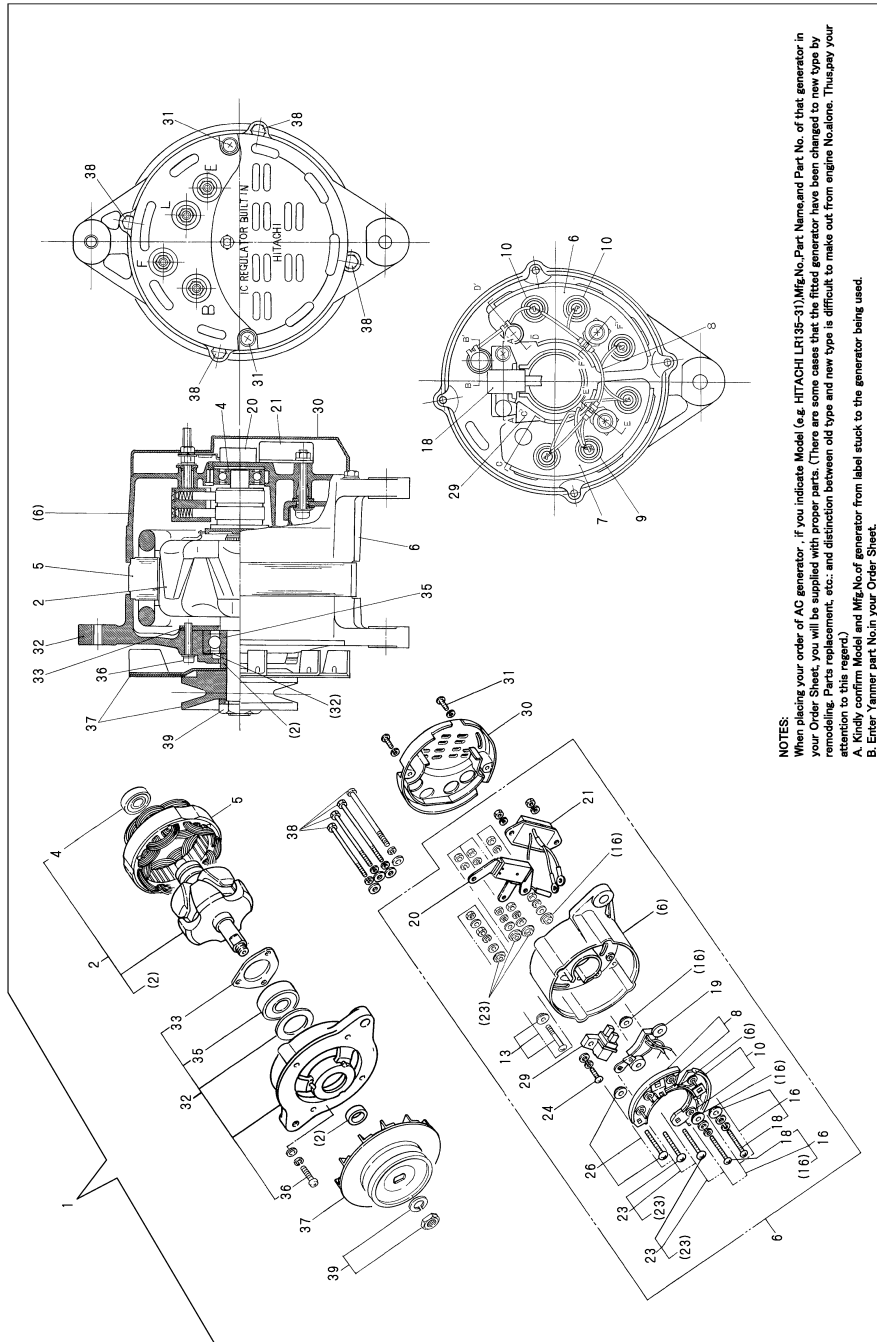
NOTES:
 When placing your order of AC generator, if you indicate Model (e.g. YFACH/LR135-51) Mfg. No. Part Name and Part No. of that generator on your order sheet, it will be possible to supply the correct parts.
 The parts of the generator have been changed to new type by remodeling. Parts replacement, etc. and distinction between old type and new type is difficult to make out from engine No alone. Thus, pay your attention to this regard.
 A. Kindly confirm Model and Mfg. No. of generator from label stuck to the generator being used.
 B. Enter Yanmar part No. in your Order Sheet.

REF.	LEV.	PARTS NO.	DESCRIPTION	QTY						I	R	
				(A)	(B)	(C)	(D)	(E)	(F)			
		(A=EXXX)										
34	2	XL135Y1400	COVER ASSY, FRONT	1								
34-1	2	XL1359400	COVER ASSY, FRONT	1								S
		(A=EXXX)										
35	3	XL135Y1401	RETAINER, BEARING	1								
35-1	3	XL13514042	RETAINER	1								R
		(A=EXXX)										
36	3	X6302B	BALL BEARING	1								
36-1	3	X6302BM	BALL BEARING	1								R
		(A=EXXX)										
37	3	26557-040122	SCREW M 4X 12,PAN HD	3								
38	2	XL135Y1531	PULLEY ASSY	1								
38-1	2	XL13525001	PULLEY ASSY	1								S
		(A=EXXX)										
43	2	XL135Y1801	BOLT, THROUGH	2								
43-1	2	XL1254801	BOLT, THROUGH	2								S
		(A=EXXX)										
44	2	XL135Y1802	BOLT, THROUGH	1								
44-1	2	XL1255801	BOLT, THROUGH	1								S
		(A=EXXX)										
45	2	XL135Y1820	COVER	1								Z
		(A=EXXX)										
46	2	XB444001A	NUT SET, PULLEY	1								
46-1	2	XB495469B	NUT ASSY, PULLEY	1								S
		(A=EXXX)										
47	4	26557-050102	SCREW M 5X 10	2								

Remarks
 (1)INC 30.

Fig.26.GENERATOR COMPONENT PART(OPTIONAL)

(A)=2QM15 (D)=
 (B)= (E)=
 (C)= (F)=



NOTES:
 When placing your order of AC generator, if you indicate Model (e.g. HITACHI LR135-31), Mfg.No, Part Name and Part No. of that generator in your Order Sheet, you will be supplied with proper parts. (There are some cases that the fitted generator have been changed to new type by remodeling. Parts replacement, etc., and distinction between old type and new type is difficult to make out from engine No.alone. Thus, pay your attention to this regard.)
 A. Kindly confirm Model and Mfg.No.of generator from label stuck to the generator being used.
 B. Enter Yammer part No.in your Order Sheet.

REF.	LEV.	PARTS NO.	DESCRIPTION	QTY						I	R
				(A)	(B)	(C)	(D)	(E)	(F)		
1	1	124070-77200	GENERATOR (LR155-04	1							
2	2	XL16011006	ROTOR ASSY	1							
4	3	X6201SD	BEARING	1							
5	2	XL15512001	STATOR ASSY	1							
6	2	XL155Y1300	COVER ASSY, REAR	1							
8	3	XL155Y1302	SR HOLDER (+)	1							
10	3	XL155Y1303	SR HOLDER (-)	1							
13	3	XL155Y1312	TERMINAL ASSY	1							
16	3	XL155Y1803	SCREW SET	2							
18	4	26557-050402	SCREW M 5X 40	2							
19	3	XMV11305	CONTROL UNIT, FIELD	1							
20	3	XMV11306	CR ASSY	1							
21	3	XTR1Z28	IC REGULATOR	1							
22	3	26557-050162	SCREW M 5X 16	2							1
23	3	XL155Y1310	TERMINAL ASSY	2							
26	3	XL155Y1311	TERMINAL ASSY	1							
29	3	XL135Y1320	BRUSH HOLDER ASY	1							
30	2	XL155Y1820	COVER	1							
31	2	26557-050102	SCREW M 5X 10	2							
32	2	XL155Y1400	COVER ASSY, FRONT	1							
33	3	XL15014041	RETAINER, BEARING	1							
35	3	X6302B	BALL BEARING	1							
36	3	26557-050202	SCREW M 5X 20	3							
37	2	XL155Y1504	PULLEY ASSY	1							
38	2	XL1602801Y	BOLT, THROUGH	4							
39	2	XB474214A	BOLT, THROUGH	1							

Fig.27.PACKING KIT(OPTIONAL)

(A)=2QM15

(B)=

(C)=

(D)=

(E)=

(F)=

REF.	LEV.	PARTS NO.	DESCRIPTION	----- Q'TY -----						I	R
				(A)	(B)	(C)	(D)	(E)	(F)		
1	1	724070-92600	GASKET SET	1							
2	2	124070-01510	GASKET, GEAR CASE	1							
3	2	124070-01530	GASKET	1							
4	2	124070-01560	GASKET	1							
5	2	124060-01741	GASKET	1							
5-1	2	124060-01742	GASKET	1							R
(A=EXXX)											
6	2	124223-01850	GASKET	1							
7	2	124060-02020	GASKET	1							
8	2	124060-01750	GASKET	1							
9	2	101204-11450	GASKET, CHAMBER	1							
9-1	2	101204-11452	GASKET, CHAMBER	1							N
(A=EXXX)											
10	2	103854-11490	INSULATOR	2							
11	2	124450-11681	GASKET	1							
12	2	124060-32091	GASKET	1							
12-1	2	124060-32092	GASKET	1							N
(A=EXXX)											
13	2	124060-34841	GASKET	2							
13-1	2	124060-34842	GASKET	2							N
(A=EXXX)											
14	2	104211-42090	GASKET	1							
15	2	104211-49160	PACKING	1							
16	2	174307-51270	GASKET	2							
17	2	124550-51350	GASKET, DELIVERY	2							
18	2	172100-53200	GASKET	2							
19	2	124060-77170	GASKET	1							
20	2	23414-080000	GASKET 8, ROUND	20							
21	2	23414-100000	GASKET 10, ROUND	5							
22	2	23414-120000	GASKET 12, ROUND	20							
23	2	23414-160000	GASKET 16, ROUND	5							
24	2	23414-250000	GASKET 25,ROUND	5							
25	2	43400-500400	SEAL WASHER 6	2							
26	2	43400-500410	SEAL WASHER 8S	4							
27	2	43400-500430	SEAL WASHER 10S	2							
28	2	43400-500490	SEAL WASHER 16S	1							

Remarks
THIS FIGURE ARE NOT ILLUSTRATED.

Fig.28.SPAIR PART KIT

(A)=2QM15

(B)=

(C)=

(D)=

(E)=

(F)=

REF.	LEV.	PARTS NO.	DESCRIPTION	----- Q'TY -----						I	R
				(A)	(B)	(C)	(D)	(E)	(F)		
1	1	724070-92500	REPAIR SET	1							
2	2	124060-01330	GASKET, CYL. HEAD	1							
3	2	124770-13130	GASKET	1							
4	2	124770-13170	GASKET	1							
5	2	124770-13180	GASKET	1							
6	2	724070-22500	RING SET,PISTON	2							
7	2	124450-35100	FILTER, LUB. OIL	1							
8	2	124060-39451	SENDER, OIL PRESSURE	1							
9	2	104211-42070	IMPELLER, C. WATER	1							
10	2	124770-49200	THERMOSTAT	1							
11	2	124770-53000	NOZZLE ASSY,F.INJECT	2							
12	2	104500-55710	ELEMENT, FUEL	1							
13	2	104514-77350	V-BELT (HM-23)	1							
14	2	105582-77790	V-BELT (31 INCH)	1							
15	2	27210-200300	ZINC, ANTI-CORROSIVE	2							
16	2	46150-001110	BULB(12V3W/G11.BA9S)	3							
17	2	46150-003660	FUSE 20A	1							
17-1	2	46150-003680	FUSE 30A	1							N
		(A=EXXX)									
18	2	46150-004530	SENDER	1							
18-1	2	46150-004531	SENDER	1							N
		(A=EXXX)									

Remarks
THIS FIGURE ARE NOT ILLUSTRATED.