



**WORKSHOP MANUAL  
DIESEL ENGINE  
MANUAL D'ATELIER  
MOTEUR DIESEL  
WERKSTATTANLEITUNG  
DIESELMOTOR**

**70mm STROKE SERIES  
MOTEUR DE 70mm DE COURSE  
SERIENMOTOR MIT 70mm HUB**

**Kubota**



# TO THE READER

This Workshop Manual has been prepared to provide servicing personnel with information on the mechanism, service and maintenance of KUBOTA Diesel Engines 70 mm STROKE SERIES. It is divided into two parts, "Mechanism" and "Disassembling and Servicing".

## ■ Mechanism

Information on construction and functions are included for each engine section. This part should be understood before proceeding with troubleshooting, disassembling and servicing.

## ■ Disassembling and Servicing

Under the heading "General" come general precautions, troubleshooting, lists of servicing specifications and periodic inspection items. For each engine section, there are "Checking and Adjustment", "Disassembling and Assembling", and "Servicing" which cover procedures, precautions, factory specification and allowable limits.

All information, illustrations and specifications contained in this manual are based on the latest production information available at the time of publication. The right is reserved to make changes in all information at any time without notice.

Due to covering many models of this manual, illustration or picture being used have not been specified as one model.

Apr. '88

© KUBOTA Corporation 1990

# INTRODUCTION

Ce manuel d'atelier a été préparé pour permettre au personnel d'entretien de disposer d'informations sur les mécanismes, les entretiens et la maintenance des moteurs Kubota Diesel moteur de série à 70 mm de course. Il est divisé en deux sections: "Mécanismes" et "Démontage et entretien".

## ■ Mécanisme

Des informations sur la construction et les fonctions sont données pour chaque partie du moteur. Cette partie du manuel doit être comprise avant que l'on commence les opérations de recherche des anomalies, de démontage et d'entretien.

## ■ Démontage et entretien

Sous le titre "Généralités" on trouvera des précautions générales, les procédures de recherche des anomalies et les listes de caractéristiques d'entretien et items de vérification périodique. Pour chaque partie du moteur, on trouvera les titres "Vérification et réglage", "Démontage et remontage" et "Entretien" où sont reprises les précautions, les caractéristiques d'usine et les limite de service.

Toutes les informations, illustrations et spécifications contenues dans ce manuel sont basées sur les dernières informations de production disponibles au moment de la publication. Nous nous réservons le droit de modifier tout élément de ces informations, à tout moment et sans préavis.

Ce manuel couvrant de nombreux modèles, les illustrations ou photos utilisées sont données à titre indicatif.

Avr. '88

© KUBOTA Corporation 1990

# FÜR DEN LESER

Dieses Handbuch soll dem Wartungspersonal Informationen über die Funktion, den Betrieb und die Wartung der KUBOTA-Dieselmotoren Serienmotormit 70 mm Hub liefern. Es ist in zwei Teile, "Funktion" und "Ausbau und Wartung" aufgliedert.

## ■ Mechanismus

Für jeden Motorabschnitt werden Informationen bezüglich Konstruktion und Funktion gegeben. Dieser Teil sollte sorgfältig gelesen werden, bevor mit der Störungssuche, dem Ausbau und der Wartung begonnen wird.

## ■ Ausbau und Wartung

Der Abschnitt "allgemeines" beinhaltet allgemeine Vorkehrungen, Störungssuchen und Listen von Wartungsdaten sowie von regelmäßig zu überprüfenden Teilen. Für jeden Motorabschnitt ist ein Kapitel "Prüfung und Einstellung", "Aus- und Einbau" und "Wartung" vorgesehen, welches über Verfahrensweisen, Vorkehrungen, Werkdaten und zulässige Grenzwerte Aufschluß gibt.

Allen in diesem Handbuch enthaltenen Informationen, Abbildungen und technischen Merkmalen liegen die letzten, zum Zeitpunkt der Veröffentlichung verfügbaren Informationen zugrunde. Eine Änderung aller Informationen zu jeder Zeit und ohne Ankündigung bleibt vorbehalten.

Da in diesem Handbuch mehrere Modelle beschrieben werden, wurden die jeweilig verwendeten abbildungen oder Bilder nicht für ein einzelnes Modell präzisiert.

Apr. '88

© KUBOTA Corporation 1990

# CONTENTS

SPECIFICATIONS .....	1
PERFORMANCE CURVES .....	7
DIMENSIONS .....	10

## M. MECHANISM

<b>F. FEATURE .....</b>	<b>M-1</b>	[2] WATER PUMP .....	M-15
<b>1. ENGINE BODY .....</b>	<b>M-3</b>	[3] THERMOSTAT .....	M-17
[1] CYLINDER BLOCK .....	M-3	[4] RADIATOR .....	M-17
[2] CYLINDER HEAD .....	M-3	[5] RADIATOR CAP .....	M-17
[3] CRANK SHAFT .....	M-5	<b>4. INTAKE/EXHAUST SYSTEM .....</b>	<b>M-19</b>
[4] PISTON AND PISTON RINGS .....	M-5	[1] AIR CLEANER .....	M-19
[5] CONNECTING ROD .....	M-5	[2] MUFFLER .....	M-19
[6] CAMSHAFT .....	M-7	<b>5. FUEL SYSTEM .....</b>	<b>M-21</b>
[7] FLYWHEEL .....	M-7	[1] GENERAL .....	M-21
[8] ROCKER ARM .....	M-7	[2] INJECTION PUMP .....	M-21
<b>2. LUBRICATING SYSTEM .....</b>	<b>M-9</b>	[3] INJECTION NOZZLE .....	M-25
[1] GENERAL .....	M-9	[4] FUEL LIFT PUMP .....	M-27
[2] OIL PUMP .....	M-11	[5] FUEL FILTER .....	M-27
[3] RELIEF VALVE .....	M-11	[6] GOVERNOR .....	M-29
[4] OIL FILTER CARTRIDGE .....	M-13	<b>6. ELECTRICAL SYSTEM .....</b>	<b>M-33</b>
[5] OIL PRESSURE SWITCH .....	M-13	[1] GENERAL .....	M-33
<b>3. COOLING SYSTEM .....</b>	<b>M-15</b>	[2] CHARGING SYSTEM .....	M-33
[1] GENERAL .....	M-15		

## S. DISASSEMBLING AND SERVICING

<b>G. GENERAL .....</b>	<b>S-1</b>	<b>2. LUBRICATING SYSTEM .....</b>	<b>S-105</b>
[1] ENGINE IDENTIFICATION .....	S-1	CHECKING .....	S-105
[2] GENERAL PRECAUTIONS .....	S-3	DISASSEMBLING AND ASSEMBLING .....	S-105
[3] TIGHTENING TORQUES .....	S-5	[1] OIL STRAINER .....	S-105
[4] TROUBLESHOOTING .....	S-8	[2] OIL PUMP .....	S-105
[5] SERVICING SPECIFICATIONS .....	S-16	SERVICING .....	S-107
[6] MAINTENANCE CHECK LIST .....	S-32	[1] OIL PUMP .....	S-107
[7] CHECK AND MAINTENANCE .....	S-35	<b>3. COOLING SYSTEM .....</b>	<b>S-109</b>
[8] SPECIAL TOOLS .....	S-45	CHECKING .....	S-109
<b>1. ENGINE BODY .....</b>	<b>S-55</b>	[1] FAN BELT .....	S-109
CHECKING AND ADJUSTING .....	S-55	[2] RADIATOR .....	S-109
DISASSEMBLING AND ASSEMBLING .....	S-57	DISASSEMBLING AND ASSEMBLING .....	S-111
[1] DRAINING WATER AND OIL .....	S-57	<b>4. FUEL SYSTEM .....</b>	<b>S-113</b>
[2] EXTERNAL COMPONENTS .....	S-57	CHECKING AND ADJUSTING .....	S-113
[3] CYLINDER HEAD AND VALVES .....	S-57	[1] INJECTION PUMP .....	S-113
[4] GEAR CASE .....	S-63	[2] INJECTION NOZZLE .....	S-115
[5] PISTON AND CONNECTING ROD .....	S-71	DISASSEMBLING AND ASSEMBLING .....	S-117
[6] FLYWHEEL AND CRANKSHAFT .....	S-75	[1] INJECTION PUMP .....	S-117
SERVICING .....	S-81	[2] INJECTION NOZZLE .....	S-117
[1] CYLINDER HEAD .....	S-81	<b>5. ELECTRICAL SYSTEM .....</b>	<b>S-119</b>
[2] TIMING GEAR AND CAMSHAFT .....	S-87	CHECKING .....	S-119
[3] PISTON AND CONNECTING ROD .....	S-91	[1] ALTERNATOR AND REGULATOR .....	S-119
[4] CRANKSHAFT .....	S-93	[2] STARTER .....	S-119
[5] CYLINDER LINER .....	S-101	[3] GLOW PLUG .....	S-121
		DISASSEMBLING AND ASSEMBLING .....	S-121
		[1] STARTER .....	S-121
		SERVICING .....	S-123
		[1] STARTER .....	S-123

# TABLE DES MATIERES

CARACTERISTIQUES .....	3
COURBES DE PERFORMANCE .....	7
DIMENSIONS .....	10

## M. MECANISME

<b>F. GENERALITES .....</b>	<b>M-1</b>	<b>3. SYSTEME DE REFROIDISSEMENT .....</b>	<b>M-16</b>
<b>1. CORPS DU MOTEUR .....</b>	<b>M-4</b>	[1] GENERALITES .....	M-16
[1] BLOC-MOTEUR .....	M-4	[2] POMPE A EAU .....	M-16
[2] CULASSE .....	M-4	[3] THERMOSTAT .....	M-18
[3] VILEBREQUIN .....	M-6	[4] RADIATEUR .....	M-18
[4] PISTON ET SEGMENTS .....	M-6	[5] BOUCHON DU RADIATEUR .....	M-18
[5] BIELLE .....	M-6	<b>4. ADMISSION ET ECHAPPEMENT .....</b>	<b>M-20</b>
[6] ARBRE A CAMES .....	M-8	[1] FILTRE A AIR .....	M-20
[7] VOLANT .....	M-8	[2] POT D'ECHAPPEMENT .....	M-20
[8] CULBUTEURS .....	M-8	<b>5. SYSTEME D'ALIMENTATION .....</b>	<b>M-22</b>
<b>2. SYSTEME DE LUBRIFICATION .....</b>	<b>M-9</b>	[1] GENERALITES .....	M-22
[1] GENERALITES .....	M-9	[2] POMPE D'INJECTION .....	M-22
[2] POMPE A HUILE .....	M-12	[3] INJECTEUR .....	M-26
[3] SOUPAPE DE DECHARGE .....	M-12	[4] POMPE D'ALIMENTATION .....	M-28
[4] CARTOUCHE DE FILTRE A HUILE .....	M-14	[5] FILTRE A CARBURANT .....	M-28
[5] MANOCONTACT DE PRESSION D'HUILE .....	M-14	[6] REGULATEUR .....	M-30
		<b>6. SYSTEME ELECTRIQUE .....</b>	<b>M-34</b>
		[1] GENERALITES .....	M-34
		[2] SYSTEME DE CHARGE .....	M-34

## S. DEMONTAGE ET ENTRETIEN

<b>G. GENERALITES .....</b>	<b>S-2</b>	<b>2. SYSTEME DE LUBRIFICATION .....</b>	<b>S-106</b>
[1] IDENTIFICATION DU MOTEUR .....	S-2	VERIFICATION .....	S-106
[2] PRECAUTIONS GENERALITES .....	S-4	DEMONTAGE ET MONTAGE .....	S-106
[3] COUPLES DE SERRAGE .....	S-6	[1] CREPINE A HUILE .....	S-106
[4] DEPANNAGE .....	S-10	[2] POMPE A HUILE .....	S-106
[5] CARACTERISTIQUES D'ENTRETIEN .....	S-22	ENTRETIEN .....	S-108
[6] LISTE DES VERIFICATION D'ENTRETIEN .....	S-33	[1] POMPE A HUILE .....	S-108
[7] VERIFICATION ET ENTRETIEN .....	S-36	<b>3. SYSTEME DE REFROIDISSEMENT .....</b>	<b>S-110</b>
[8] OUTILS SPECIAUX .....	S-46	VERIFICATION .....	S-110
<b>1. CORPS DU MOTEUR .....</b>	<b>S-56</b>	[1] COURROIE DE VENTILATEUR .....	S-110
VERIFICATION ET REGLAGE .....	S-56	[2] RADIATEUR .....	S-110
DEMONTAGE ET MONTAGE .....	S-58	DEMONTAGE ET MONTAGE .....	S-112
[1] VIDANGE D'EAU ET D'HUILE .....	S-58	<b>4. SYSTEME D'ALIMENTATION .....</b>	<b>S-113</b>
[2] COMPOSANTES EXTERNES .....	S-58	VERIFICATION ET REGLAGE .....	S-113
[3] CULASSE ET SOUPAPES .....	S-58	[1] POMPE D'INJECTION .....	S-113
[4] CARTER DE DISTRIBUTION .....	S-64	[2] INJECTEUR .....	S-116
[5] PISTON ET BIELLE .....	S-72	DEMONTAGE ET MONTAGE .....	S-118
[6] VOLANT ET VILEBREQUIN .....	S-76	[1] POMPE D'INJECTION .....	S-118
ENTRETIEN .....	S-82	[2] INJECTEUR .....	S-118
[1] CULASSE .....	S-82	<b>5. SYSTEME ELECTRIQUE .....</b>	<b>S-120</b>
[2] PIGNON DE DISTRIBUTION ET ARBRE A CAMES .....	S-88	VERIFICATION .....	S-120
[3] PISTON ET BIELLE .....	S-92	[1] ALTERNATEUR ET REGULATEUR .....	S-120
[4] VILEBREQUIN .....	S-94	[2] DEMARREUR .....	S-120
[5] CHEMISE DE CYLINDRE .....	S-102	[3] BOUGIE DE PRECHAUFFAGE .....	S-122
		DEMONTAGE ET MONTAGE .....	S-122
		[1] DEMARREUR .....	S-122
		ENTRETIEN .....	S-124
		[1] DEMARREUR .....	S-124

# VERZEICHNIS

TECHNISCHE MERKMALE .....	5
LEISTUNGSKURVEN .....	7
ABMESSUNGEN .....	10

## M. MECHANISMUS

<b>F. ALLGEMEINES</b> .....	M-1	<b>3. KÜHLUNGSSYSTEM</b> .....	M-16
<b>1. MOTORKÖRPER</b> .....	M-4	[1] ALLGEMEINES .....	M-16
[1] ZYLINDERBLOCK .....	M-4	[2] WASSERPUMPE .....	M-16
[2] ZYLINDERKOPF .....	M-4	[3] THERMOSTAT .....	M-18
[3] KURBELWELLE .....	M-6	[4] KÜHLER .....	M-18
[4] KOLBEN UND KOLBENRINE .....	M-6	[5] KÜHLERVERSCHLUSSKAPPE .....	M-18
[5] PLEUELSTANGE .....	M-6	<b>4. ANSAUG- UND AUSPUFFSYSTEM</b> .....	M-20
[6] NOCKENWELLE .....	M-8	[1] LUFTFILTER .....	M-20
[7] SCHWUNGRAD .....	M-8	[2] AUSPUFFTOPF .....	M-20
[8] KIPPEBEL .....	M-8	<b>5. KRAFTSTOFFSYSTEM</b> .....	M-22
<b>2. SCHMIERUNGSSYSTEM</b> .....	M-9	[1] ALLGEMEINES .....	M-22
[1] ALLGEMEINES .....	M-9	[2] EINSPRITZPUMPE .....	M-22
[2] ÖLPUMPE .....	M-12	[3] EINSPRITZDÜSE .....	M-26
[3] ÜBERDRUCKVENTIL .....	M-12	[4] KRAFTSTOFF FÖRDERPUMPE .....	M-28
[4] ÖLFILTERPATRONE .....	M-14	[5] KRAFTSTOFFFILTER .....	M-28
[5] ÖLDRUCKSCHALTER .....	M-14	[6] DREHZAHLEGLER .....	M-30
		<b>6. ELEKTRISCHESYSTEM</b> .....	M-34
		[1] ALLGEMEINES .....	M-34
		[2] LADESYSTEM .....	M-34

## S. AUSBAU UND WARTUNG

<b>G. ALLGEMEINES</b> .....	S-2	AUS- UND EINBAU .....	S-106
[1] MOTOR KENNZEICHNUNG .....	S-2	[1] ÖLFILTER .....	S-106
[2] ALLGEMEINES VORKEHRUNGEN .....	S-4	[2] ÖLPUMPE .....	S-106
[3] ANZUGSDREHMOMENTE .....	S-7	WARTUNG .....	S-108
[4] STÖRUNGSSUCHE .....	S-13	[1] ÖLPUMPE .....	S-108
[5] WARTUNGSDATEN .....	S-27	<b>3. KÜHLUNGSSYSTEM</b> .....	S-110
[6] WARTUNGS-CHECKLISTE .....	S-34	ÜBERPRÜFUNG .....	S-110
[7] ÜBERPRÜFUNG UND WARTUNG .....	S-36	[1] LUFTERRIEMEN .....	S-110
[8] SPEZIALWERKZEUGE .....	S-46	[2] KÜHLER .....	S-110
<b>1. MOTORKÖRPER</b> .....	S-56	AUS- UND EINBAU .....	S-112
ÜBERPRÜFUNG UND EINSTELLUNG .....	S-56	<b>4. KRAFTSTOFFSYSTEM</b> .....	S-113
AUS- UND EINBAU .....	S-58	ÜBERPRÜFUNG UND EINSTELLUNG .....	S-113
[1] ABLASSEN VON WASSER UND ÖL .....	S-58	[1] EINSPRITZPUMPE .....	S-113
[2] ÄUSSERE BAUTEILE .....	S-58	[2] EINSPRITZDÜSE .....	S-116
[3] ZYLINDERKOPF UND VENTILE .....	S-58	AUS- UND EINBAU .....	S-118
[4] GETRIEBEGEHÄUSE .....	S-64	[1] EINSPRITZPUMPE .....	S-118
[5] KOLBEN UND PLEUELSTANGE .....	S-72	[2] EINSPRITZDÜSE .....	S-118
[6] SCHWUNGRAD UND KURBELWELLE .....	S-76	<b>5. ELEKTRISCHESYSTEM</b> .....	S-120
WARTUNG .....	S-82	ÜBERPRÜFUNG .....	S-120
[1] ZYLINDERKOPF .....	S-82	[1] WECHSELSTROM-LICHTMASCHINE	
[2] STEUERUNG UND NOCKENWELLE .....	S-88	UND REGLER .....	S-120
[3] KOLBEN UND PLEUELSTANGE .....	S-92	[2] ANLASSER .....	S-120
[4] KURBELWELLE .....	S-94	[3] GLÜHKERZE .....	S-122
[5] ZYLINDERLAUFBUCHSE .....	S-102	AUS- UND EINBAU .....	S-122
<b>2. SCHMIERUNGSSYSTEM</b> .....	S-106	[1] ANLASSER .....	S-122
ÜBERPRÜFUNG .....	S-106	WARTUNG .....	S-124
		[1] ANLASSER .....	S-124





## SPECIFICATIONS

Model		Z500-B	Z600-B	ZH600-B	D650-B	D750-B	
Number of Cylinders		2			3		
Type		Vertical, water-cooled, 4-cycle diesel engine					
Bore x Stroke	mm (in.)	68 x 70 (2.68 x 2.76)	72 x 70 (2.83 x 2.76)		64 x 70 (2.52 x 2.76)	68 x 70 (2.68 x 2.76)	
Total Displacement cm <sup>3</sup> (cu. in.)		508 (31.00)	570 (34.78)		675 (41.2)	762 (46.5)	
Brake Horsepower	SAE Net	kW/rpm	6.3/3000	8.2/3200	8.6/3600	8.6/3000	9.7/3000
	Cont.	(HP/rpm)	(8.5/3000)	(11/3200)	(11.5/3600)	(11.5/3000)	(13.0/3000)
	SAE Net	kW/rpm	7.46/3000	9.3/3200	10.4/3600	9.7/3000	11.2/3000
	Intermittent	(HP/rpm)	(10.0/3000)	(12.5/3200)	(14.0/3600)	(13.0/3000)	(15.0/3000)
	SAE Gross	kW/rpm	8.2/3000	10.4/3200	11.5/3600	11.2/3000	12.7/3000
	Intermittent	(HP/rpm)	(11.0/3000)	(13.8/3200)	(15.5/3600)	(14.3/3000)	(16.5/3000)
	DIN6271-NA	kW/rpm (PS/rpm)	6.25/3000 (8.5/3000)	8.1/3200 (11.0/3200)	8.5/3600 (11.5/3600)	8.5/3000 (11.5/3000)	9.6/3000 (13.0/3000)
	DIN6271-NB	kW/rpm (PS/rpm)	7.0/3000 (9.5/3000)	8.8/3200 (12.0/3200)	9.9/3600 (13.5/3600)	9.2/3000 (12.5/3000)	10.7/3000 (14.5/3000)
DIN70020	kW/rpm (PS/rpm)	7.7/3000 (10.5/3000)	9.6/3200 (13.0/3200)	10.7/3600 (14.5/3600)	10.3/3000 (14.0/3000)	11.8/3000 (16.0/3000)	
Maximum Bare Speed		rpm	3200	3500	3780	3200	
Minimum Idling Speed		rpm	800				
Maximum torque		N·m/rpm	28.0/1800	32.9/2000	33.2/2000	36.5/1800	42.2/1800
		kgf·m/rpm	2.86/1800	3.36/2000	3.39/2000	3.72/1800	4.30/1800
		ft-lbs/rpm	20.72/1800	24.29/2000	24.52/2000	26.94/1800	31.08/1800
Combustion Chamber		Spherical Type					
Fuel Injection Pump		Bosch K Type Mini Pump					
Governor		Centrifugal Ball Mechanical Governor					
Direction of Rotation		Counter-clockwise (viewed from flywheel side)					
Injection Nozzle		Bosch Throttle Type					
Injection Timing		25° (0.44 rad.) before T.D.C.					
Firing Order		1-2			1-2-3		
Injection Pressure		140 kgf/cm <sup>2</sup> (13.73 MPa, 1991 psi)					
Compression Ratio		22:1					
Lubricating System		Forced Lubrication by Pump					
Oil Pressure Indicating		Electrical Type Switch					
Lubricating Filter		Full Flow Paper Filter (Cartridge Type)					
Cooling System		Pressurized Radiator, Forced Circulation with Water Pump (Not included in the basic engine)					
Starting System		Electric Starting with Starter (12, 0.8)			Electric Starting with Starter (12, 0.8)		
Starting Support Device		By Glow Plug in Combustion Chamber					
Battery		12V, 45AH, equivalent			12V, 65AH, equivalent		
Dynamo for Charging		12 V, 150 W					
Fuel		Diesel Fuel No.2-D (ASTM D975)					
Lubricating Oil		MIL-L-46152, MIL-L-2104C, quality better than CC class (API)					
Lubricating Oil Capacity		2.55 (2.70 U.S. qts., 2.24 Imp. qts.)			4.6 (4.86 U.S. qts., 4.05 Imp. qts.)		
Weight (Dry)		kg (lbs)	69.7 (153.7)	70.5 (155.5)	82.6 (182.1)	82.1 (181.0)	
Application		General Power Source					

D850-B	DH850-B	D950-B	V1100-B	VH1100-B	V1200-B
3			4		
Vertical, water-cooled, 4-cycle diesel engine					
72 x 70 (2.83 x 2.76)		75 x 70 (2.95 x 2.76)	72 x 70 (2.83 x 2.76)		75 x 70 (2.95 x 2.76)
855 (52.2)		927 (56.6)	1140 (69.56)		1237 (75.49)
11.6/3000 (15.5/3000)	13.1/3600 (17.5/3600)	12.7/3000 (17.0/3000)	15.29/3000 (20.5/3000)	17.15/3600 (23/3600)	16.79/3000 (22.5/3000)
13.4/3000 (18.0/3000)	15.7/3600 (21.0/3600)	14.5/3000 (19.5/3000)	17.90/3000 (24.0/3000)	20.89/3600 (28.0/3600)	19.40/3000 (26.0/3000)
14.9/3000 (19.8/3000)	17.2/3600 (23.0/3600)	16.0/3000 (21.5/3000)	19.77/3000 (26.5/3000)	22.98/3600 (30.8/3600)	21.26/3000 (28.5/3000)
11.4/3000 (15.5/3000)	12.9/3600 (17.5/3600)	12.5/3000 (17.0/3000)	15.08/3000 (20.5/3000)	16.92/3600 (23.0/3600)	16.55/3000 (22.5/3000)
12.5/3000 (17.0/3000)	14.7/3600 (20.0/3600)	13.6/3000 (18.5/3000)	16.55/3000 (22.5/3000)	19.86/3600 (27.0/3600)	18.02/3000 (24.5/3000)
14.0/3000 (19.0/3000)	16.2/3600 (22.0/3600)	15.1/3000 (20.5/3000)	18.39/3000 (25.0/3000)	21.70/3600 (29.5/3600)	19.86/3000 (27.0/3000)
3200	3780	3200	3200	3780	3200
800					
50.6/1800	49.9/2400	55.6/1800	68.45/1800	66.49/2400	74.04/1800
5.16/1800	5.09/2400	5.67/1800	6.98/1800	6.78/2400	7.55/1800
37.30/1800	36.78/2400	41.00/1800	50.45/1800	49.04/2400	54.65/1800
Spherical Type					
Bosch K Type Mini Pump					
Centrifugal Ball Mechanical Governor					
Counter-clockwise (viewed from flywheel side)					
Bosch Throttle Type					
25° (0.44 rad.) before T.D.C.					
1-2-3			1-3-4-2		
140 kgf/cm <sup>2</sup> (13.73 MPa, 1991 psi)					
22:1					
Forced Lubrication by Pump					
Electrical Type Switch					
Full Flow Paper Filter (Cartridge Type)					
Pressurized Radiator, Forced Circulation with Water Pump (Not included in the basic engine)					
Electric Starting with Starter (12, 0.8)			Electric Starting with Starter (12, 1.0)		
By Glow Plug in Combustion Chamber					
12 V, 65 AH, equivalent			12 V, 80 AH, equivalent		
12V, 150W					
Diesel Fuel No.2-D (ASTM D975)					
MIL-L-46152, MIL-L-2104C, quality better than CC class (API)					
4.6 (4.86 U.S. qts., 4.05 Imp. qts.)	3.7 (3.91 U.S.qts., 3.26 Imp.qts.)	4.6 (4.86 U.S.qts., 4.05 Imp. qts.)	5.7 (6.0 U.S. qts.,5.02 Imp. qts.)		
82.6 (182.1)		83.1 (183.2)	103.3 (227.8)		104 (229.3)
General Power Source					

## CARACTERISTIQUES

Modèle	Z500-B	Z600-B	ZH600-B	D650-B	D750-B	
Nombre de cylindres	2			3		
Type	Vertical, à refroidissement par eau, 4 temps, Diesel					
Alésage x course mm	68 x 70	72 x 70		64 x 70	68 x 70	
Cylindrée totale cm <sup>3</sup>	508	570		675	762	
Puissance aux freins	Puissance continue SAE, Net kW/tr/mn (HP/tr/mn)	6,3/3000 (8,5/3000)	8,2/3200 (11,3/3200)	8,6/3600 (11,5/3600)	8,6/3000 (11,5/3000)	9,7/3000 (13,0/3000)
	Puissance intermittente SAE, Net kW/tr/mn (HP/tr/mn)	7,46/3000 (10,0/3000)	9,3/3200 (12,5/3200)	10,4/3600 (14,0/3600)	9,7/3000 (13,0/3000)	11,2/3000 (15,0/3000)
	Puissance intermittente SAE, brut kW/tr/mn (HP/tr/mn)	8,2/3000 (11,0/3000)	10,4/3200 (13,8/3200)	11,5/3600 (15,5/3600)	11,2/3000 (14,3/3000)	12,7/3000 (16,5/3000)
	DIN6271-NA kW/tr/mn (CV/tr/mn)	6,25/3000 (8,5/3000)	8,1/3200 (11,0/3200)	8,5/3600 (11,5/3600)	8,5/3000 (11,5/3000)	9,6/3000 (13,0/3000)
	DIN6271-NB kW/tr/mn (CV/tr/mn)	7,0/3000 (9,5/3000)	8,8/3200 (12,0/3200)	9,9/3600 (13,5/3600)	9,2/3000 (12,5/3000)	10,7/3000 (14,5/3000)
	DIN70020 kW/tr/mn (CV/tr/mn)	7,7/3000 (10,5/3000)	9,6/3200 (13,0/3200)	10,7/3600 (14,5/3600)	10,3/3000 (14,0/3000)	11,8/3000 (16,0/3000)
Régime maximum à vide tr/mn	3200	3500	3780	3200		
Régime minimum à vide tr/mn	800					
Couple maximum N-m/tr/mn kgf-m/tr/mn	28,0/1800 2,86/1800	32,9/2000 3,36/2000	33,2/2000 3,39/2000	36,5/1800 3,72/1800	42,2/1800 4,30/1800	
Chambre de combustion	Sphérique					
Pompe d'injection	Bosch K Type Mini					
Régulateur	Mécanique centrifuge à bille					
Sens de rotation	En sens inverse des aiguilles d'une montre (en regardant côté volant)					
Injecteurs	Type Bosch à jet					
Calage de l'injection	25° (0,44 rad.) avant PMH					
Order d'injection	1-2			1-2-3		
Pression d'injection	13,73 MPa (140 kgf/cm <sup>2</sup> )					
Taux de compression	22:1					
Lubrification	Forcée, par pompe					
Indication de pression d'huile	Par contact électrique					
Filtre de lubrification	Filtre à élément papier (à type cartouche)					
Refroidissement	Radiateur sous pression, circulation forcée avec pompe à eau (non compris dans le moteur de base)					
Démarrage V, kW	Démarrage électrique avec démarreur (12,0,8)					
Dispositif auxiliaire au démarrage	Par bougie de préchauffage, dans la chambre de combustion					
Alternateur	12 V, 45 AH, ou équivalent			12 V, 65 AH, ou équivalent		
Circuit de charge	12 V, 150 W					
Carburant	Gas-oil N° 2-D (ASTM D975)					
Huile de lubrification	MIL-L-46152, MIL-L-2104C, qualité supérieure à la classe CC (API)					
Capacité en huile de lubrification ℓ	2,55			4,6		
Poids (à sec) kg	69,7	70,5		82,6	82,1	
Application	Source de puissance tous usages					

D850-B	DH850-B	D950-B	V1100-B	VH1100-B	V1200-B
3			4		
Vertical, à refroidissement par eau, 4 temps, Diesel					
72 x 70		75 x 70	72 x 70		75 x 70
855		927	1140		1237
11,6/3000 (15,5/3000)	13,1/3600 (17,5/3600)	12,7/3000 (17,0/3000)	15,29/3000 (20,5/3000)	17,15/3600 (23/3600)	16,79/3000 (22,5/3000)
13,4/3000 (18,0/3000)	15,7/3600 (21,0/3600)	14,5/3000 (19,5/3000)	17,90/3000 (24,0/3000)	20,89/3600 (28,0/3600)	19,40/3000 (26,0/3000)
14,9/3000 (19,8/3000)	17,2/3600 (23,0/3600)	16,0/3000 (21,5/3000)	19,77/3000 (26,5/3000)	22,98/3600 (30,8/3600)	21,26/3000 (28,5/3000)
11,4/3000 (15,5/3000)	12,9/3600 (17,5/3600)	12,5/3000 (17,0/3000)	15,08/3000 (20,5/3000)	16,92/3600 (23,0/3600)	16,55/3000 (22,5/3000)
12,5/3000 (17,0/3000)	14,7/3600 (20,0/3600)	13,6/3000 (18,5/3000)	16,55/3000 (22,5/3000)	19,86/3600 (27,0/3600)	18,02/3000 (24,5/3000)
14,0/3000 (19,0/3000)	16,2/3600 (22,0/3600)	15,1/3000 (20,5/3000)	18,39/3000 (25,0/3000)	21,70/3600 (29,5/3600)	19,86/3000 (27,0/3000)
3200	3780	3200	3200	3780	3200
800					
50,6/1800 5,16/1800	49,9/2400 5,09/2400	55,6/1800 5,67/1800	68,45/1800 6,98/1800	66,49/2400 6,78/2400	74,04/1800 7,55/1800
Sphérique					
Bosch K Type Mini					
Mécanique centrifuge à bille					
En sens inverse des aiguilles d'une montre (en regardant côté volant)					
Type Bosch à jet					
25° (0,44 rad.) avant PMH					
1-2-3			1-3-4-2		
13,72 MPa (140 kgf/cm <sup>2</sup> )					
22:1					
Forcée, par pompe					
Par contact électrique					
Filtre à élément papier (à type cartouche)					
Radiateur sous pression, circulation forcée avec pompe à eau (non compris dans le moteur de base)					
Démarrage électrique avec démarreur (12, 0,8)			Démarrage électrique avec démarreur (12, 1,0)		
Par bougie de préchauffage, dans la chambre de combustion					
12 V, 65 AH, ou équivalent			12 V, 80 AH, ou équivalent		
12V, 150 W					
Gas-oil N° 2-D (ASTM D975)					
MIL-L-46152, MIL-L-2104C, qualité supérieure à la classe CC (API)					
4,6	3,7	4,6	5,7		
82,6		83,1	103,3		104
Source de puissance tous usages					

# TECHNISCHE MERKMALE

Modell		Z500-B	Z600-B	ZH600-B	D650-B	D750-B
Zylinderzahl		2			3	
Typ		Vertikal, wassergekühlter Viertakt-Dieselmotor				
Bohrung x Hub	mm	68 x 70	72 x 70		64 x 70	68 x 70
Hubrauminhalt	cm <sup>3</sup>	508	570		675	762
Bremsps	SAE Netto-PS kontinuierlich kW/U/Min (HP/U/Min)	6,3/3000 (8,5/3000)	8,2/3200 (11,3/3200)	8,6/3600 (11,5/3600)	8,6/3000 (11,5/3000)	9,7/3000 (13,0/3000)
	SAE Netto-PS intermittierend kW/U/Min (HP/U/Min)	7,46/3000 (10,0/3000)	9,3/3200 (12,5/3200)	10,4/3600 (14,0/3600)	9,7/3000 (13,0/3000)	11,2/3000 (15,0/3000)
	SAE Brutto-PS intermittierend kW/U/Min (HP/U/Min)	8,2/3000 (11,0/3000)	10,4/3200 (13,8/3200)	11,5/3600 (15,5/3600)	11,2/3000 (14,3/3000)	12,7/3000 (16,5/3000)
	DIN6271-NA kW/U/Min (PS/U/Min)	6,25/3000 (8,5/3000)	8,1/3200 (11,0/3200)	8,5/3600 (11,5/3600)	8,5/3000 (11,5/3000)	9,6/3000 (13,0/3000)
	DIN6271-NB kW/U/Min (PS/U/Min)	7,0/3000 (9,5/3000)	8,8/3200 (12,0/3200)	9,9/3600 (13,5/3600)	9,2/3000 (12,5/3000)	10,7/3000 (14,5/3000)
	DIN70020 kW/U/Min (PS/U/Min)	7,7/3000 (10,5/3000)	9,6/3200 (13,0/3200)	10,7/3600 (14,5/3600)	10,3/3000 (14,0/3000)	11,8/3000 (16,0/3000)
Maximaldrehzahl	U/Min	3200	3500	3780	3200	
Minimal-Leerlaufdrehzahl	U/Min	800				
Maximaler Drehmomentwert	N·m/U/Min (kgf·m/U/Min)	28,0/1800 (2,86/1800)	32,9/2000 (3,36/2000)	33,2/2000 (3,39/2000)	36,5/1800 (3,72/1800)	42,2/1800 (4,30/1800)
Verbrennungskammer	Kugelförmig					
Kraftstoff-Einspritzpumpe	Bosch K Typ Mini					
Drehzahlregler	Mechanischer Fliehkraft Kugelregler					
Drehrichtung	Entgegen dem Uhrzeigersinn (von der Schwungradseite aus gesehen)					
Einspritzdüse	Bosch mit Drosselklappe					
Einspritztakt	25° (0,44 rad.) vor OT					
Einspritzfolge	1-2			1-2-3		
Einspritzdruck	13,73 MPa (140 kgf/cm <sup>2</sup> )					
Verdichtungsverhältnis	22:1					
Schmierungs-system	Druckschmierung durch Getriebepumpe					
Öldruckanzeige	Elektrischer Schalter					
Schmierungs-ölfilter	Vollfluß-Papierfilter (Patronentyp)					
Kühlungs-system	Druckkühler (Zwangsumlauf mit Wasserpumpe) (Nicht im Basismotor enthalten)					
Anlaß-system	V, kW	Elektrisch mit Zellenanlasser (12, 0,8)				
Anlaß-Unterstützungs-vorrichtung	Durch Glühkerze im Verbrennungskammer					
Batterie	12V, 45AH, gleichwertig			12V, 65AH, gleichwertig		
Lichtmaschine für Ladung	12 V, 150 W					
Kraftstoff	Diesel-Kraftstoff Nr. 2-D (ASTM D975)					
Schmierungs-öl	MIL-L-46152, MIL-L-2104C, bessere Qualität als Klasse CC (API)					
Schmierungs-ölmenge	ℓ	2,55			4,6	
Gewicht (trocken)	kg	69,7	70,5		82,6	82,1
Anwendung	Allgemeine Antriebsquelle					

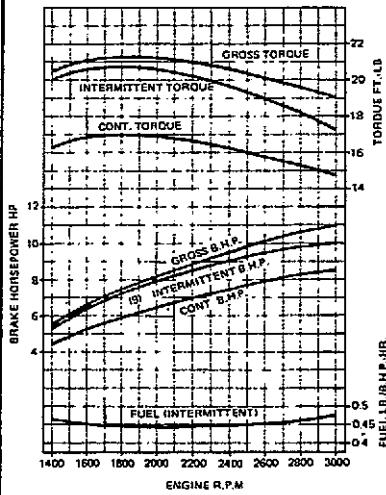
D850-B	DH850-B	D950-B	V1100-B	VH1100-B	V1200-B
3			4		
Vertikal, wassergekühlter Viertakt-Dieselmotor					
72 x 70		75 x 70	72 x 70		75 x 70
855		927	1140		1237
11,6/3000 (15,5/3000)	13,1/3600 (17,5/3600)	12,7/3000 (17,0/3000)	15,29/3000 (20,5/3000)	17,15/3600 (23,0/3600)	16,79/3000 (22,5/3000)
13,4/3000 (18,0/3000)	15,7/3600 (21,0/3600)	14,5/3000 (19,5/3000)	17,90/3000 (24,0/3000)	20,89/3600 (28,0/3600)	19,40/3000 (26,0/3000)
14,9/3000 (19,8/3000)	17,2/3600 (23,0/3600)	16,0/3000 (21,5/3000)	19,77/3000 (26,5/3000)	22,98/3600 (30,8/3600)	21,26/3000 (28,5/3000)
11,4/3000 (15,5/3000)	12,9/3600 (17,5/3600)	12,5/3000 (17,0/3000)	15,08/3000 (20,5/3000)	16,92/3600 (23,0/3600)	16,55/3000 (22,5/3000)
12,5/3000 (17,0/3000)	14,7/3600 (20,0/3600)	13,6/3000 (18,5/3000)	16,55/3000 (22,5/3000)	19,86/3600 (27,0/3600)	18,02/3000 (24,5/3000)
14,0/3000 (19,0/3000)	16,2/3600 (22,0/3600)	15,1/3000 (20,5/3000)	18,39/3000 (25,0/3000)	21,70/3600 (29,5/3600)	19,86/3000 (27,0/3000)
3200	3780	3200	3200	3780	3200
800					
50,6/1800 5,16/1800	49,9/2400 5,09/2400	55,6/1800 5,67/1800	68,45/1800 6,98/1800	66,49/2400 6,78/2400	74,04/1800 7,55/1800
Kugelförmig					
Bosch K Typ Mini					
Mechanischer Fliehkraft Kugelregler					
Entgegen dem Uhrzeigersinn (von der Schwungradseite aus gesehen)					
Bosch mit Drosselklappe					
25° (0,44 rad.) vor OT					
1-2-3			1-3-4-2		
13,73 MPa (140 kgf/cm <sup>2</sup> )					
22:1					
Druckschmierung durch Getriebepumpe					
Elektrischer Schalter					
Vollfluß-Papierfilter (Patrontyp)					
Druckkühler (Zwangsumlauf mit Wasserpumpe)					
(Nicht im Basismotor enthalten)					
Elektrisch mit Zellenanlasser (12, 0,8)			Elektrisch mit Zellenanlasser (12, 1,0)		
Durch Glühkerze im Verbrennungskammer					
12 V, 65 AH, gleichwertig			12 V, 80 AH, gleichwertig		
12 V, 150 W					
Diesel-Kraftstoff Nr.2-D (ASTM D975)					
MIL-L-46152, MIL-L-2104C, bessere Qualität als Klasse CC (API)					
4,6	3,7	4,6	5,7		
82,6		83,1	103,3		104
Allgemeine Antriebsquelle					

# PERFORMANCE CURVES

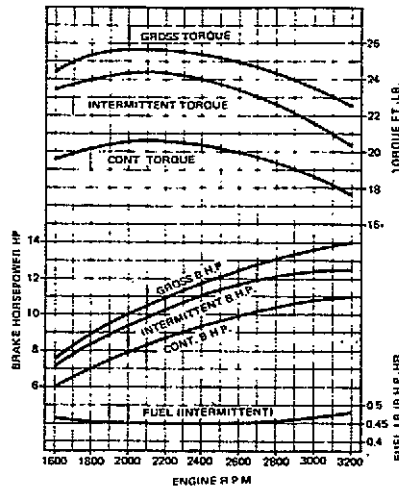
# COURBES DE PERFORMANCE

# LEISTUNGSKURVEN

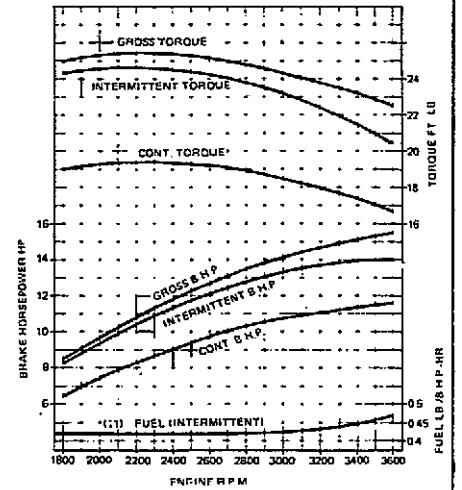
Z500-B (SAE)



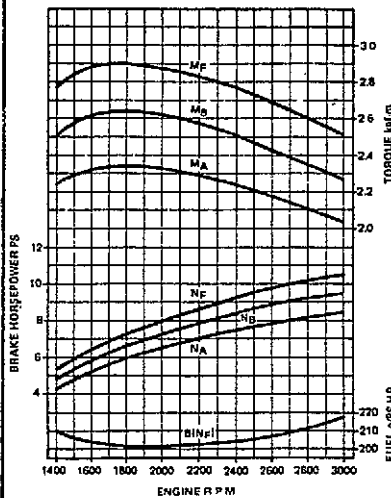
Z600-B (SAE)



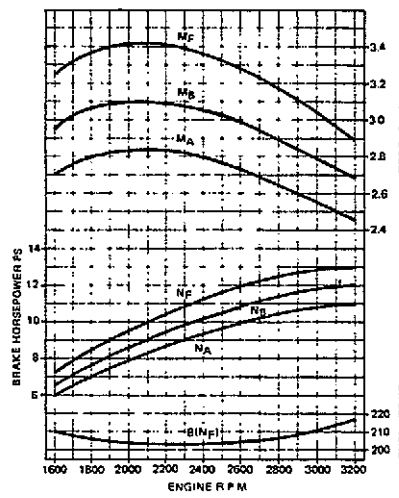
ZH600-B (SAE)



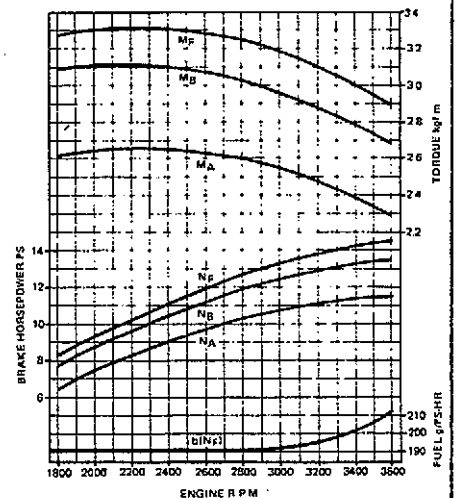
Z500-B (DIN)



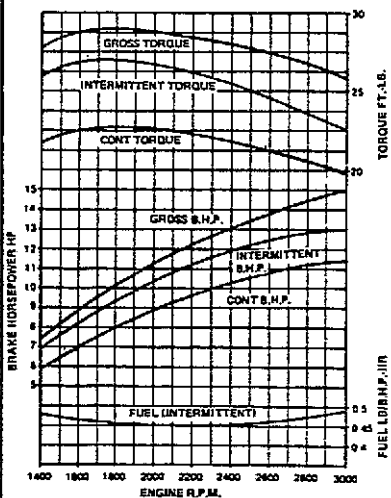
Z600-B (DIN)



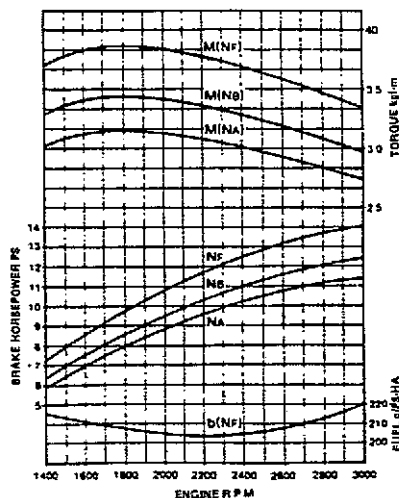
ZH600-B (DIN)



D650-B (SAE)



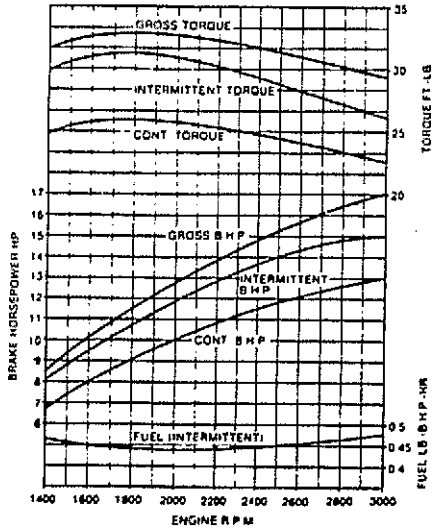
D650-B (DIN)



0076F039

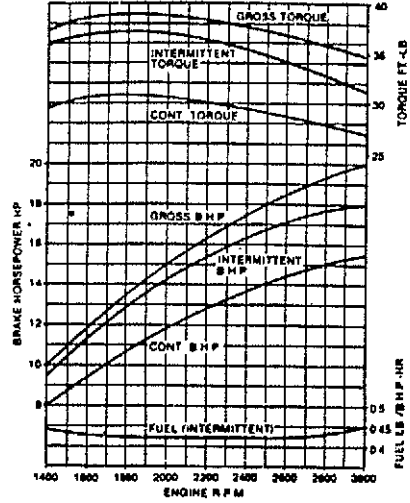
0076F034

D750-B (SAE)



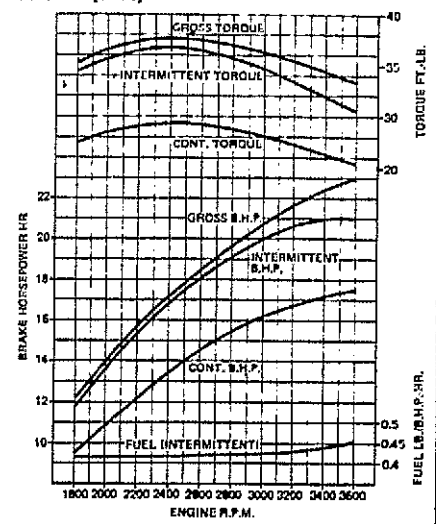
0076F040

D850-B (SAE)



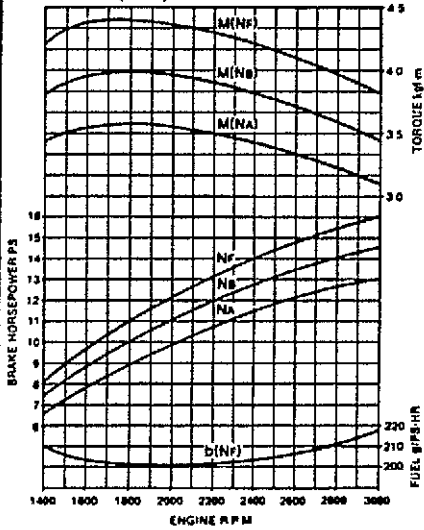
0076F042

DH850-B (SAE)



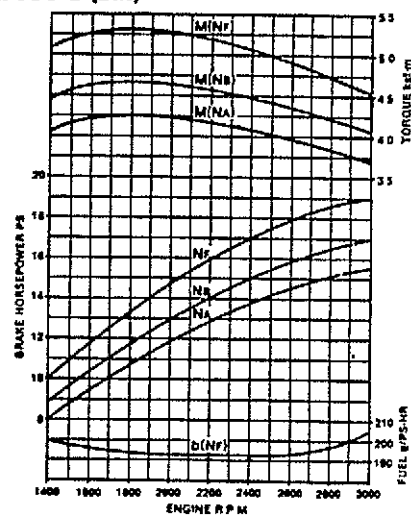
0076F041

D750-B (DIN)



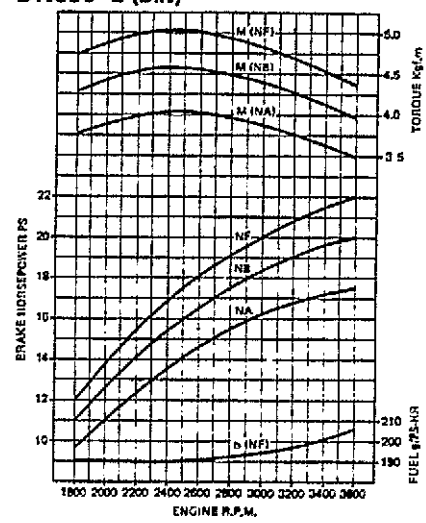
0076F035

D850-B (DIN)



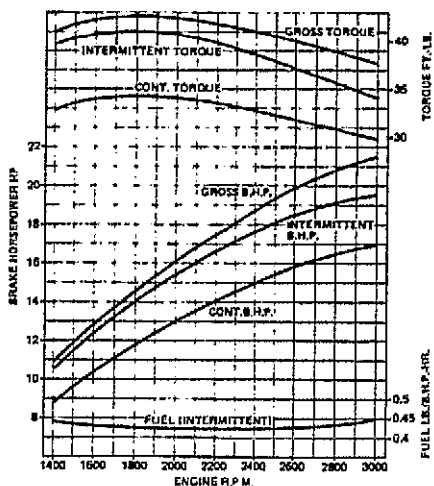
0076F036

DH850-B (DIN)



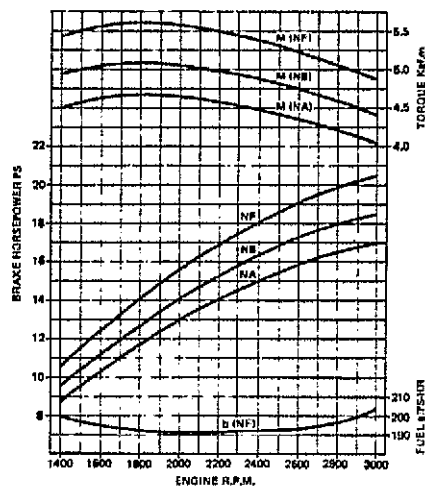
0076F037

D950-B (SAE)



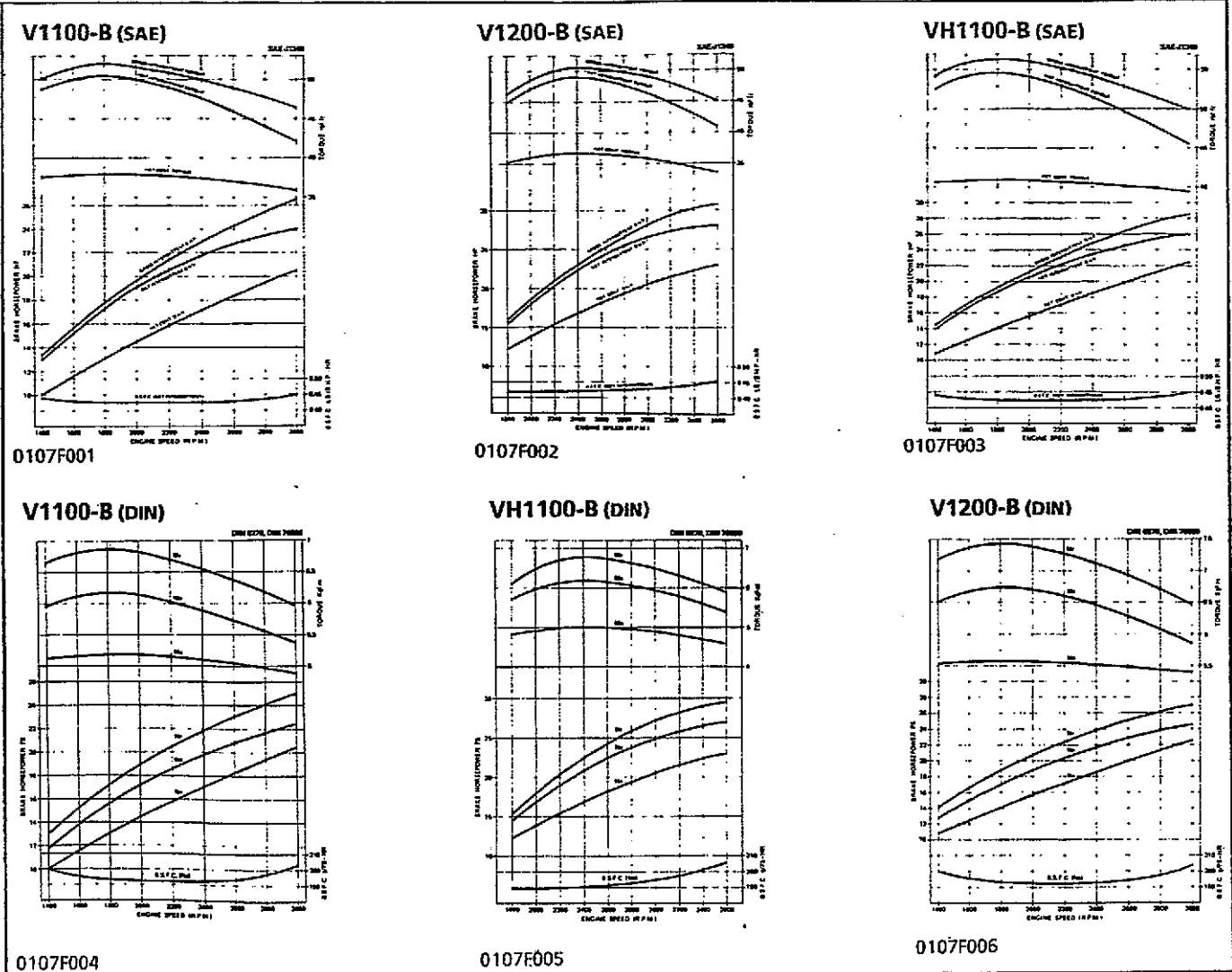
0076F043

D950-B (DIN)



0076F038





NOTE

- Each performance curves, obtained in accordance with DIN 6271.
- Each performance curves, obtained in accordance with SAE J1349.

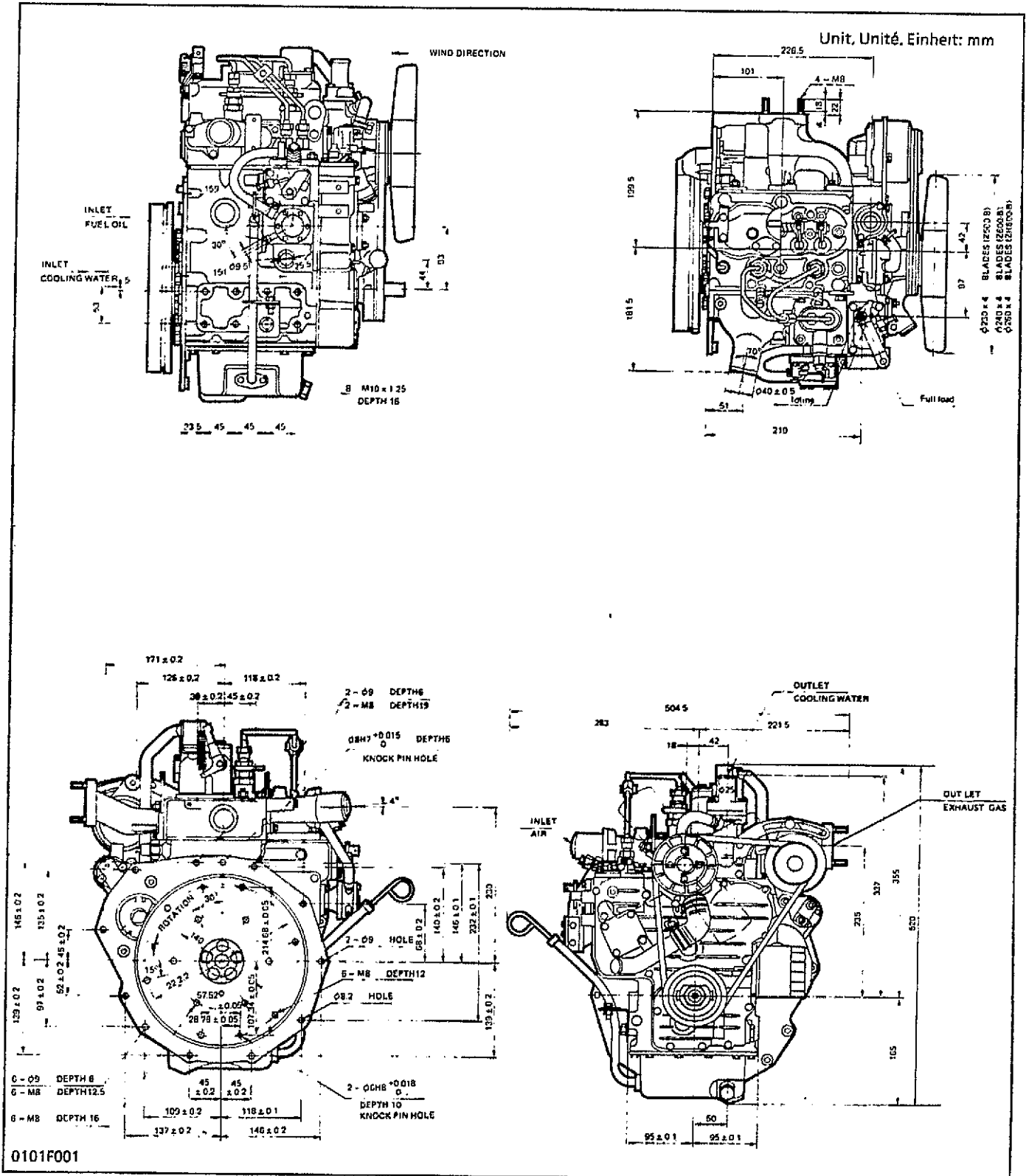
NOTA

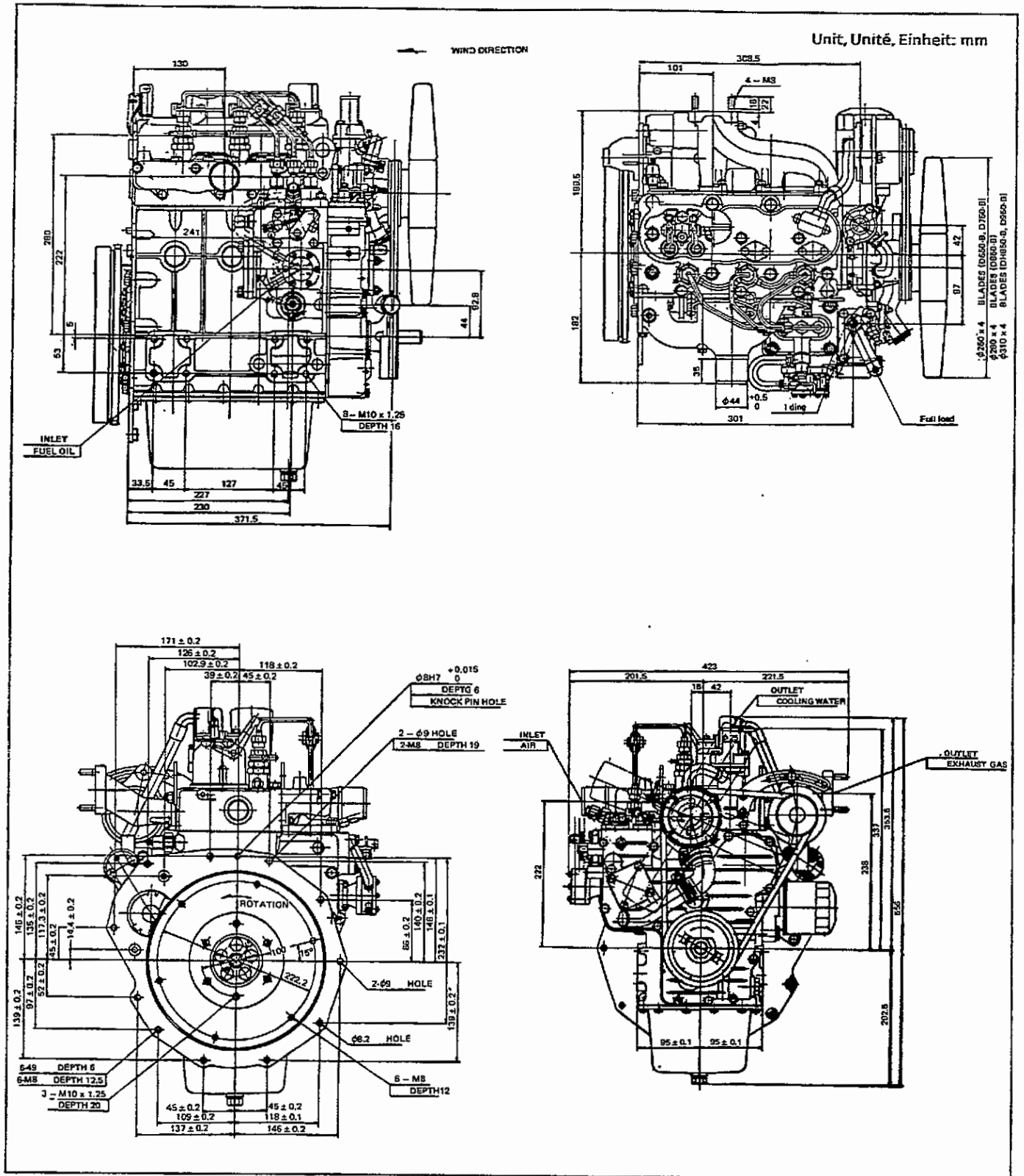
- Les courbes de performance présentées ici ont été établies en conformité avec DIN 6271.
- Les courbes de performance présentées ici ont été établies en conformité avec SAE J1349.

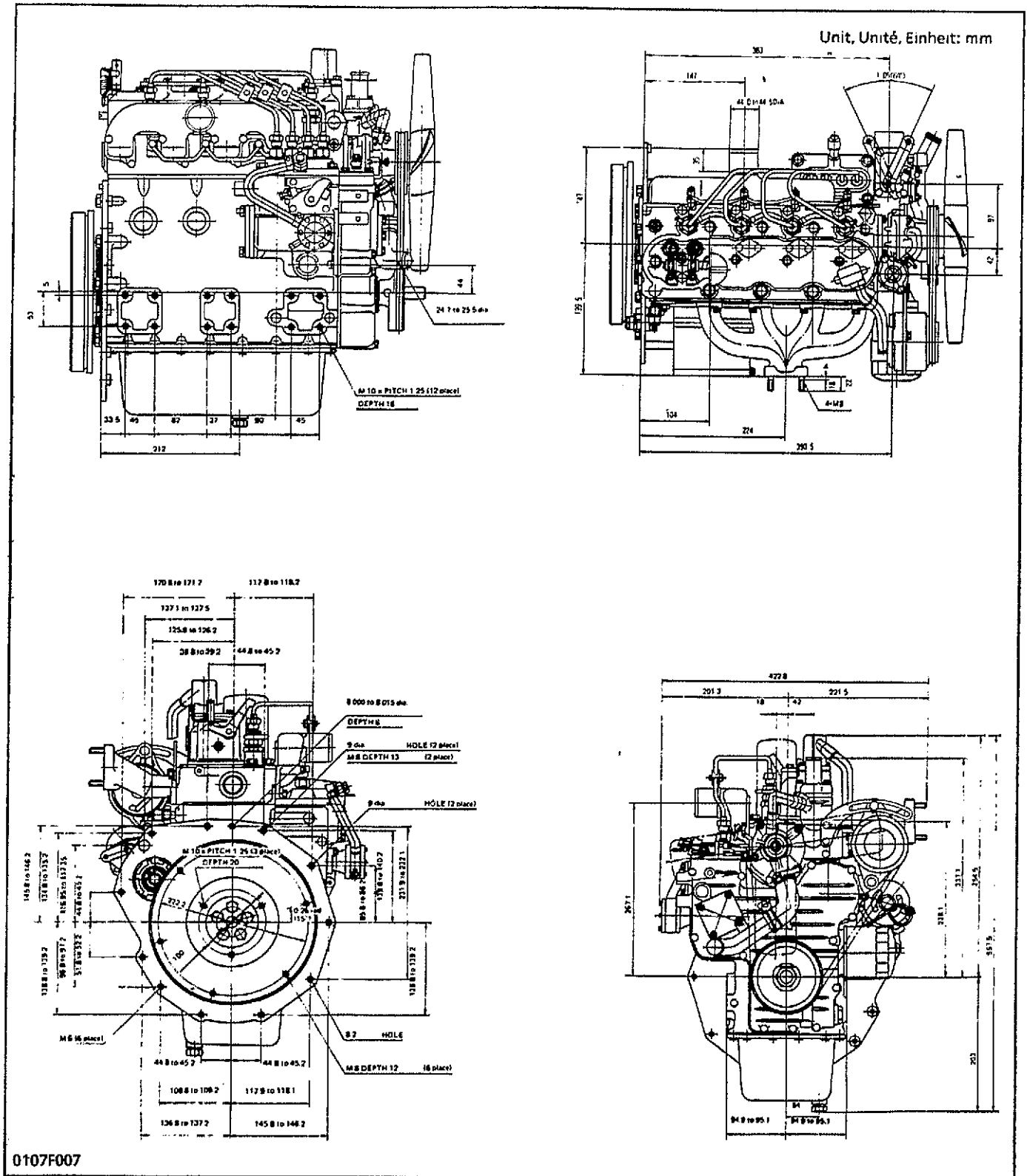
ANMERKUNG

- Jede Leistungskurve aufgestellt in Übereinstimmung nach DIN 6271.
- Jede Leistungskurve aufgestellt in Übereinstimmung nach SAE J1349.

# DIMENSIONS DIMENSIONS ABMESSUNGEN







---

**M. MECHANISM  
MECANISME  
MECHANISMUS**

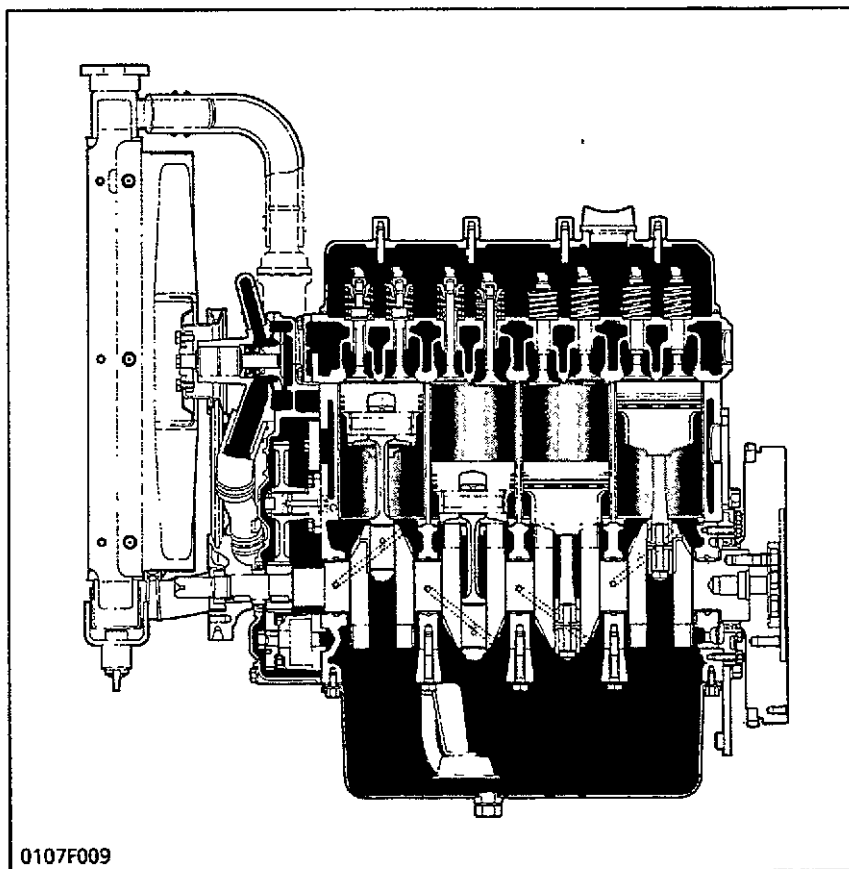
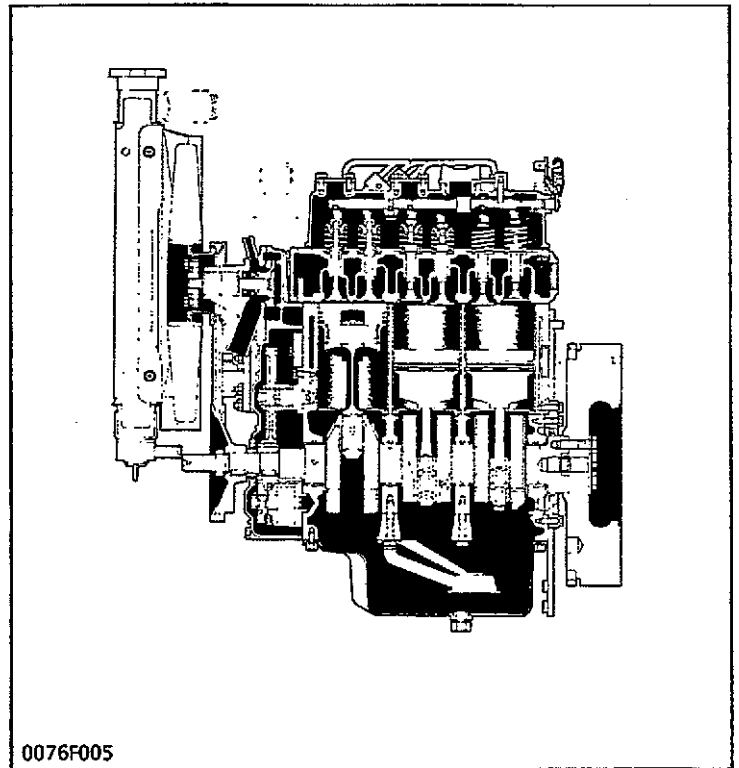
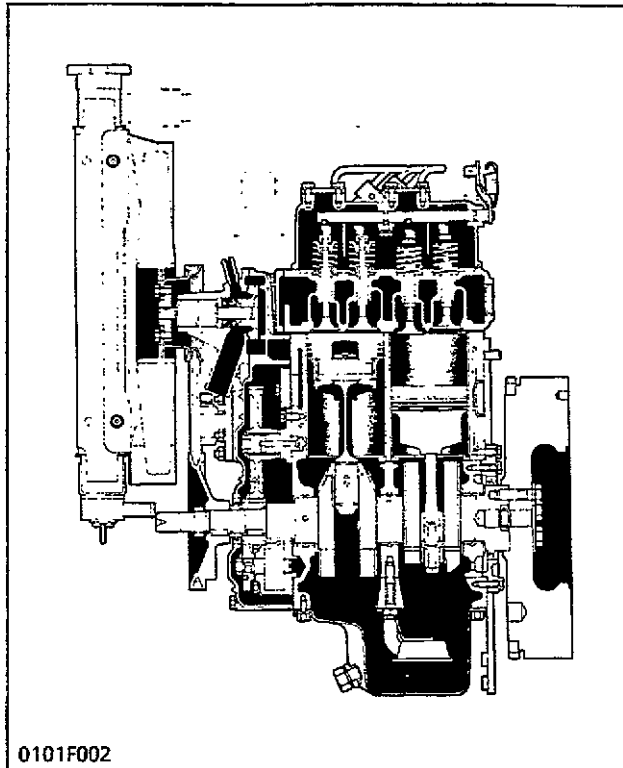
---

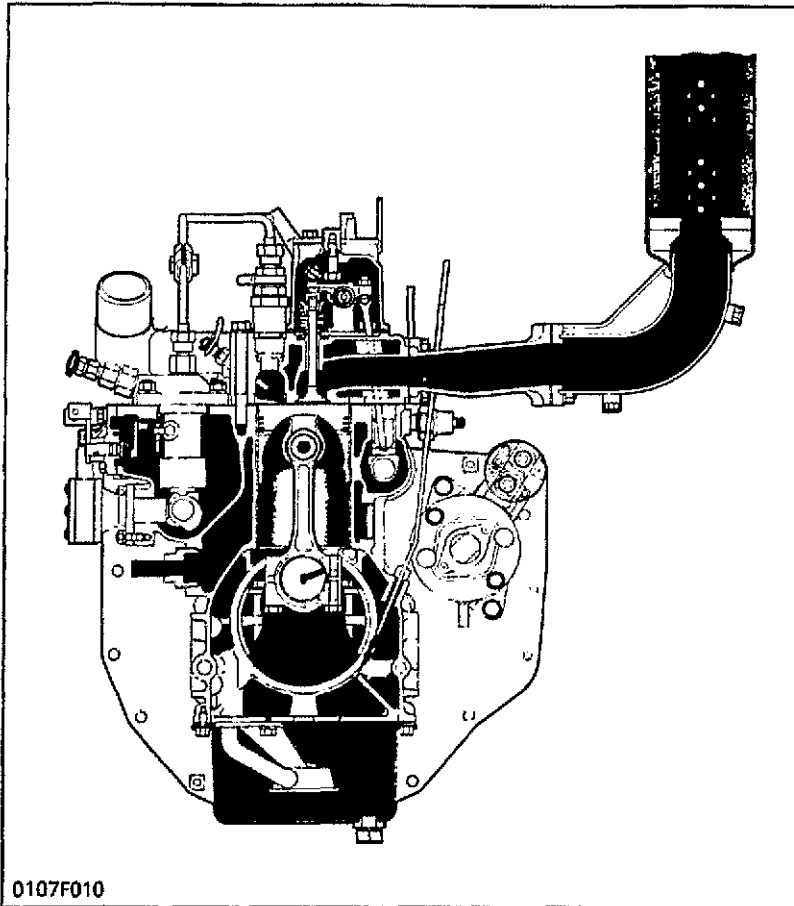


**F** FEATURE

**F** GENERALITES

**F** ALLGEMEINES





The 70 mm STROKE SERIES ENGINE are vertical, water-cooled, 4-cycle diesel engines.

They are incorporated KUBOTA's foremost technologies. With KUBOTA's spherical combustion chamber, well-known Bosch K type injection pump and the well-balanced designs, they give greater power, low fuel consumption, little vibration and quiet operation.

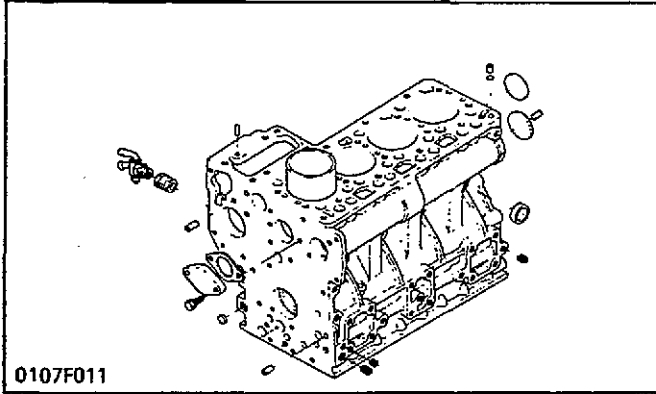
Les moteurs moteur de série à 70 mm de course sont des moteurs diesel à 4 temps, à cylindres verticaux et refroidissement par eau. Ils incorporent les technologies les plus avancées KUBOTA. Les chambres de combustion sphérique de KUBOTA, les pompes d'injection K de Bosch type bien connues, et une conception bien équilibrée donnent à ces moteurs une puissance accrue, une consommation très basse, un faible niveau de vibrations et un fonctionnement silencieux.

Bei den Motoren Serienmotor mit 70 mm Hub handelt es sich um vertikale, wassergekühlte, Viertakt-Dieselmotoren. Sie sind nach der neuesten Technologie KUBOTAS ausgelegt. Mit der kugelförmigen Verbrennungskammer von KUBOTA, der bekannten Einspritzpumpe Typ K von Bosch und der durchdachten, ausgewogenen Konstruktion bieten sie höhere Leistung, geringen Kraftstoffverbrauch sowie vibrationsarmen und ruhigen Lauf.



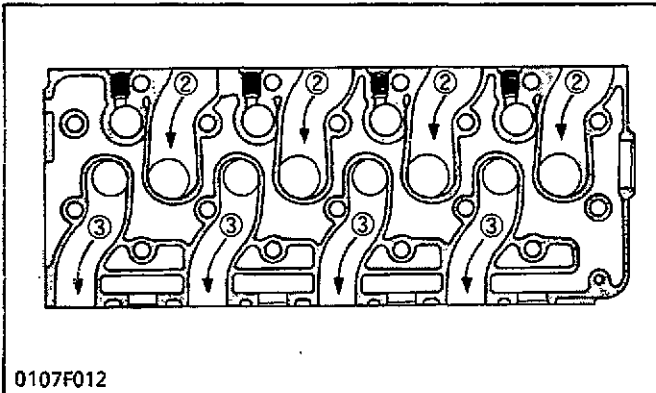
# 1 ENGINE BODY

## [1] CYLINDER BLOCK

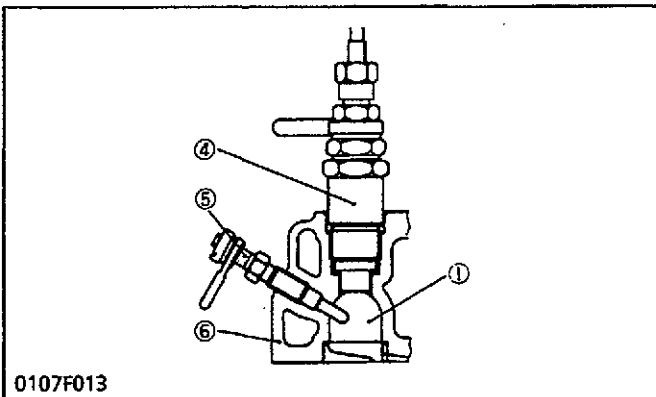


The engine has a high durability tunnel-type cylinder in which the crank bearing component is a constructed body. Furthermore, dry-type cylinder liners, being pressure-fitted into cylinders, allow effective cooling, less distortion, and greater wear-resistance. The noise level is reduced to a minimum because each cylinder has its own chamber.

## [2] CYLINDER HEAD



The cross-flow type intake/exhaust ports in this engine have their openings at both sides of the cylinder head. Because overlaps of intake/exhaust ports are smaller than in ports of other types which have openings on one side, the suction air can be protected from being heated and expanded by heated exhaust air. The cool, high density suction air has high volume efficiency and raises the power of the engine. Furthermore, distortion of the cylinder head by heated exhaust gas is reduced because intake ports are arranged alternately. The combustion chamber is of KUBOTA's exclusive spherical combustion chamber type. Suction air is whirled to be mixed effectively with fuel, prompting combustion and reducing fuel consumption.



In the combustion chamber are installed throttle type injection nozzle and rapid heating sheathed type glow plug. This glow plug assures easier than ever engine starts even at  $-15^{\circ}\text{C}$  ( $5^{\circ}\text{F}$ ).

- (1) Combustion Chamber
- (2) Intake Port
- (3) Exhaust Port
- (4) Nozzle Assembly
- (5) Glow Plug
- (6) Cylinder Head

# 1 CORPS DU MOTEUR

## [1] BLOC-MOTEUR

Le moteur est doté d'un palier de type tunnel, avec le logement des paliers de vilebrequin faisant corps.

De plus, les chemises sèches, montées à la presse dans les cylindres, assurent un refroidissement efficace, réduisent les risques de déformation, et favorisent une meilleure résistance à l'usure; en outre, le fait que chaque cylindre est doté de sa propre chambre contribue au silence de fonctionnement du moteur.

## [2] CULASSE

Ce moteur est doté d'une culasse à flux transversant, dont les lumières d'admission/échappement sont placées de part et d'autre. Par suite du fait que le chevauchement des lumières admission/échappement est moindre que dans les autres types de moteur à lumières placées du même côté, l'air aspiré peut être protégé du réchauffement et de l'expansion causés par la proximité des gaz d'échappement chauds. L'air frais, aspiré à haute densité, possède un rendement volumétrique élevé, ce qui augmente la puissance du moteur.

De plus, les risques de déformation de la culasse provoquée par les gaz d'échappement brûlants sont moindres, étant donné que les chapelles d'admission se trouvent de l'autre côté. La chambre de combustion est de type sphérique, une exclusivité KUBOTA. L'air aspiré est mis en turbulence, ce qui donne un mélange efficace avec le carburant, améliorant la combustion et réduisant la consommation.

Dans la chambre de combustion se trouvent les injecteur à jet et les bougies de préchauffage. Ces bougies améliorent le démarrage à des températures pouvant descendre jusqu'à  $-15^{\circ}\text{C}$ .

- (1) Chambre de combustion
- (2) Lumière d'admission
- (3) Lumière d'échappement
- (4) Ensemble injecteur
- (5) Bougie de préchauffage
- (6) Culasse

# 1 MOTOR KÖRPER

## [1] ZYLINDERBLOCK

Der Motor ist mit einem hochstabilen, tunnelartig ausgelegten Zylinderblock ausgerüstet. Außerdem sorgen trockene, unter Druck in die Zylinder eingelassene Zylinderlaufbuchsen für eine wirksame Kühlung sowie für eine verminderte Verformung und eine höhere Verschleißfestigkeit. Da für jeden Zylinder eine eigene Kammer vorgesehen ist, wird die Lärmentwicklung auf ein Mindestmaß reduziert.

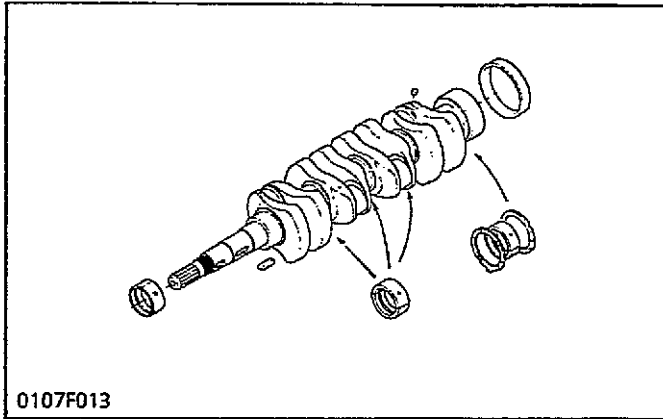
## [2] ZYLINDERKOPF

Die in Querstromausführung vorgesehenen Ein- und Auslaßschlitze sind beiderseits des Zylinderkopfes angeordnet. Da die Überlappungen der Ein- und Auslaßschlitze kleiner sind, als bei den Schlitzen anderer Ausführungen, die nur an einer Seite vorgesehen sind, wird eine Erwärmung der angesaugten Luft und eine Ausdehnung durch die erwärmten Abgase vermieden. Die kühle, hochdichte Ansaugluft trägt zu einer Verstärkung der Motorleistung bei. Außerdem wird die Gefahr einer Verformung des Zylinderkopfes durch erwärmte Abgase eingeschränkt, da die Ansaugöffnungen abwechselnd angeordnet sind. Die Verbrennungskammer ist als kugelförmiger, von KUBOTA speziell entwickelte, Verbrennungskammer ausgelegt. Die angesaugte Luft wird durchwirbelt und sorgfältig mit dem Kraftstoff vermischt, wodurch die Verbrennung begünstigt und der Kraftstoffverbrauch eingeschränkt wird.

In der Verbrennungskammer ist die mit einer Drosselklappe versehene Einspritzdüse und die abgeschirmte, schnell heizende Glühkerze untergebracht. Diese Glühkerze sorgt für ein noch schnelleres Anspringen des Motors, selbst bei  $-15^{\circ}\text{C}$ .

- (1) Verbrennungskammer
- (2) Einlaßkanal
- (3) Auslaßkanal
- (4) Düsen
- (5) Glühkerze
- (6) Zylinderkopf

### [3] CRANKSHAFT



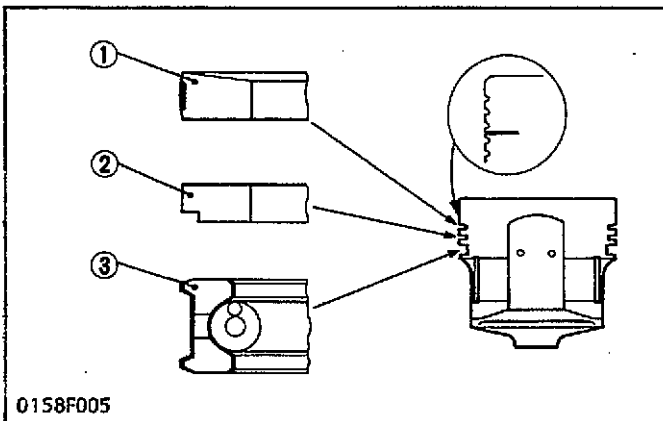
The crankshaft with the connecting rod converts the reciprocating motion of the piston into the rotating motion.

The crankshaft is made of tough special alloy steel, and the journals, pins and oil seal sliding portions are induction hardened to increase the hardness for higher wear resistance.

The front journal is supported by a solid type bearing, the intermediate journal by a split type, and the rear journal by a split type with thrust bearings.

The crankshaft is provided with an oil gallery, through which engine oil is fed to the crank pin portion, and lubricate it.

### [4] PISTON AND PISTON RINGS



The piston has a slightly oval shape when cold (in consideration of thermal expansion) and a flat head.

Three rings are installed in grooves in the piston.

The top ring (1) is a keystone type, which can stand against heavy loads, and the barrel face on the ring fits well to the cylinder wall.

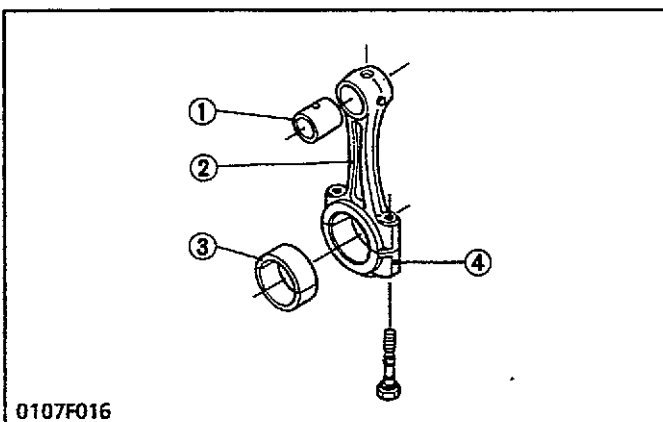
The second ring (2) is an undercut type, which effectively prevents the oil from being carried up.

The oil ring (3) has chamfered contact faces and an expander ring, which increase the pressure of the oil ring against the cylinder wall.

Several grooves are cut on the top land to help heat dissipate and to prevent scuffing.

- (1) Top Ring
- (2) Second Ring
- (3) Oil Ring

### [5] CONNECTING ROD



Connecting rod (2) is used to connect the piston with the crankshaft. The big end of the connecting rod has a crank pin bearing (3) (split type) and the small end has a small end bushing (1) (solid type).

- (1) Small End Bushing
- (2) Connecting Rod
- (3) Crank pin Bearing
- (4) Connecting Rod Cap

### [3] VILEBREQUIN

Le vilebrequin avec la bielle convertit le mouvement alternatif du piston en mouvement rotatif.

Le vilebrequin est en acier allié spécial, et les tourillons, les axes et les parties de glissement de bague d'étanchéité sont trempés par induction afin d'augmenter la dureté pour une plus haute résistance à l'usure.

Le tourillon avant est supporté par un manchon du type solide, celui du milieu par un du type à fente et celui de derrière par un du type à fente avec des paliers de butée.

Le vilebrequin est muni d'une galerie d'huile à partir de laquelle l'huile moteur est distribuée au maneton de vilebrequin pour le graisser.

### [4] PISTON ET SEGMENTS

Le piston a une forme légèrement ovale à froid (en considération de la dilatation thermique) avec une tête plate.

Il y a trois segments glissés dans des cannelures sur le piston.

Le premier segment (1) est du type à claveau qui résiste aux lourdes charges et s'adapte parfaitement à la paroi du cylindre grâce à son profil arrondi.

Le deuxième segment (2) est du type conique qui empêche parfaitement l'huile de remonter.

Le segment racleur (3) a des surfaces de contact chanfreinées et un anneau d'expansion qui fait augmenter la pression du segment racleur contre la paroi du cylindre.

Il y a plusieurs gorges creusées dans le cordon supérieur de piston pour permettre la fuite de chaleur et réduire le frottement.

- (1) Premier segment
- (2) Deuxième segment
- (3) Segment racleur

### [5] BIELLES

La bielle (2) est utilisée pour lier le piston au vilebrequin. La tête de bielle a un coussinet de tête de bielle (3) (type à fente) et le pied de bielle a un bague (1) (type solide).

- (1) Bague de pied de bielle
- (2) Bielle
- (3) Coussinet de tête de bielle
- (4) Chapeau de bielle

### [3] KURBELWELLE

Die Kurbelwelle mit der Pleuelstange wandelt die Hubkolbenbewegung in eine Drehbewegung um.

Die Kurbelwelle ist aus einer zähen Edelstahllegierung gefertigt und die Gleitlagersitze, Kurbelzapfen und Öldichtungs-Gleitteile sind induktionsgehärtet, um die Verschleißfestigkeit zu erhöhen.

Gestützt wird der vordere Gleitlagersitz mit einer festen Lagerbuchse, der Zwischen-Gleitlagersitz mit einer geteilten Lagerbuchse und der hintere Gleitlagersitz mit einer geteilten mit Drucklager versehenen Lagerbuchse.

Die Kurbelwelle ist mit einem Saugraum ausgestattet, durch welchen das Motoröl zum Kurbelzapfen teil gespeist wird und diesen gleichzeitig ölt.

### [4] KOLBEN UND KOLBENRINGE

Der Kolben weist bei Kälte eine leicht ovale Form (in Anbetracht der Wärmeausdehnung) auf und hat einen flachen Kopf.

Drei Ringe sitzen in den vorgesehenen Nuten des Kolbens.

Der Oberer Ring (1) ist ein Trapez-ring, welcher hohen Beanspruchungen standhalten kann, und die trommelförmige Spannfläche des Rings paßt sich gut in die Zylinderwandung ein.

Der Zweite Ring (2) ist ein unter-schnittener Ring, welcher einen Anstieg des Öls wirkungsvoll verhindert.

Der Ölabbstreifring (3) hat diagonal abgeschrägte Kontaktflächen und besitzt einen Ausdehnungsring, welcher den Druck des Ölabbstreifrings an die Zylinderwandung erhöht.

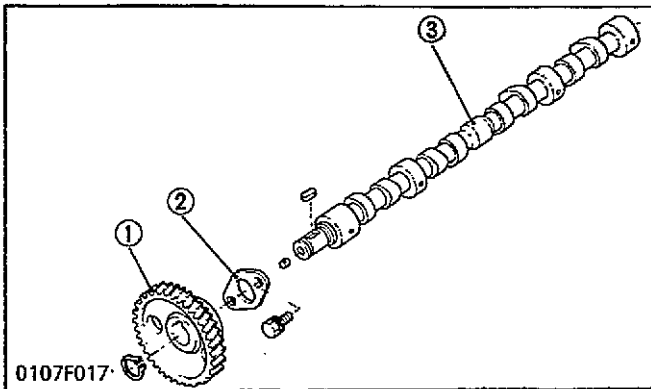
Die Nuten sind in dem oberen Kolbenabschnitt eingeschnitten, um die Wärme zu und Abrieb zu verhindern.

- (1) Oberer Ring
- (2) Zweite Ring
- (3) Ölabbstreifring

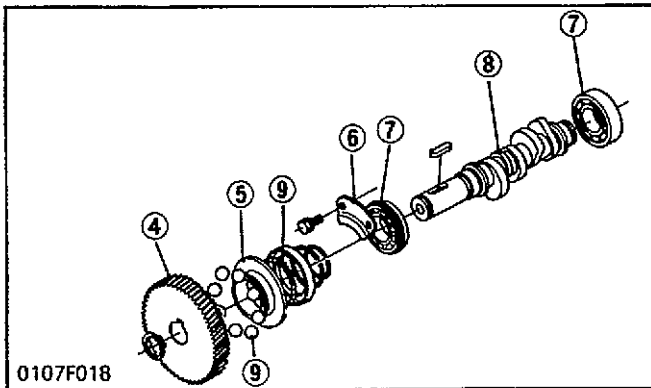
### [5] PLEUELSTANGE

Die Pleuelstange (2) verbindet den Kolben mit der Kurbelwelle. Der Pleuelstangenfuß besitzt eine (geteilte) Pleuellagerschale (3) und der Pleuelstangenkopf eine (feste) Pleuelbuchse (1).

- (1) Pleuelbuchse
- (2) Pleuelstange
- (3) Pleuellagerschale
- (4) Pleuelstangendeckel

**[6] CAMSHAFT**

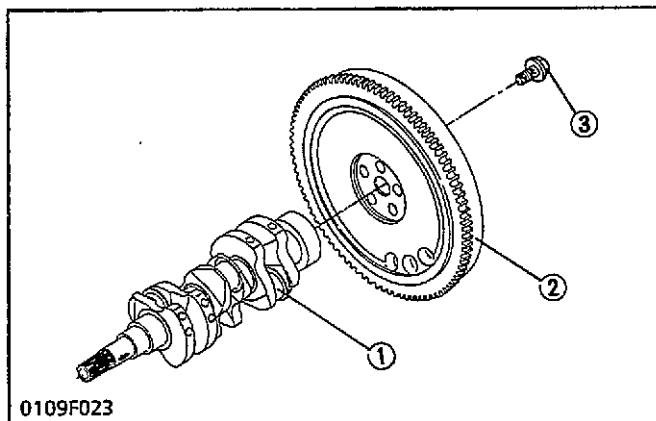
0107F017



0107F018

The camshaft (3) is made of special cast iron and the journal and cam sections are chilled to resist wear. The journal sections are force-lubricated. The fuel camshaft (8) controls the reciprocating movement of the injection pump, and is equipped with a ball to control the governor. The fuel camshaft is made of carbon steel and the cam sections are quenched and tempered to provide greater wear resistance.

- (1) Cam Gear
- (2) Camshaft Stopper
- (3) Camshaft
- (4) Injection Pump Gear
- (5) Governor Sleeve
- (6) Fuel Camshaft Stopper
- (7) Ball Bearing
- (8) Fuel Camshaft
- (9) Steel Ball

**[7] FLYWHEEL**

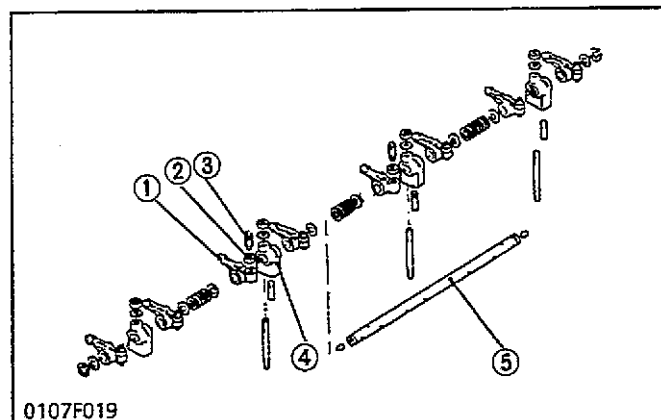
0109F023

The flywheel stores the rotating force in the combustion stroke as inertial energy, reduces crankshaft rotating speed fluctuation and maintains the smooth rotating conditions.

The flywheel periphery is inscribed with the marks showing fuel injection timing angle lines and top dead center mark TC.

The flywheel has gear teeth around its outer rim, which mesh with the drive pinion of the starter.

- (1) Crankshaft
- (2) Flywheel
- (3) Flywheel Screw

**[8] ROCKER ARM**

0107F019

The rocker arm assembly includes the rocker arms (1), rocker arm brackets (4) and rocker arm shaft (5) and converts the reciprocating movement of the push rods to an open/close movement of the inlet and exhaust valves.

Lubricating oil is pressurized through the bracket to the rocker arm shaft, which serves as a fulcrum so that the rocker arm bearing and the entire system are lubricated sufficiently.

- (1) Rocker Arm
- (2) Lock Nut
- (3) Adjusting Screw
- (4) Rocker Arm Bracket
- (5) Rocker Arm Shaft

## [6] ARBRE A CAMES ET CAME DE POMPE D'ALIMENTATION

L'arbre à cames (3) est réalisé en fonte spéciale, tandis que les tourillons et les cames sont trempés afin de résister à l'usure. La lubrification des sections tourillon est forcée. L'arbre à came d'alimentation (8) commande le mouvement alternatif de la pompe d'injection et est équipée d'une bille commandant le régulateur. L'arbre à came d'alimentation est en acier au carbone et la section de came est trempée, ce qui assure une meilleure résistance à l'usure.

- (1) Pignon à cames
- (2) Butée d'arbre à cames
- (3) Arbre à cames
- (4) Pignon de pompe d'injection
- (5) Manchon de régulateur
- (6) Butée d'arbre à cames d'alimentation
- (7) Roulement à billes
- (8) Arbre à came d'alimentation
- (9) Bille d'acier

## [7] VOLANT

Le volant retient la force de rotation, par force d'inertie, lors de la course d'explosion. Il réduit les variations du régime de rotation du vilebrequin et assure une rotation régulière.

On trouvera sur la circonférence du volant le repère servant au réglage de l'injection de carburant et le repère correspondant au point mort haut TC.

Le volant est doté de dents d'engrenage sur la périphérie de sa jante extérieure qui s'engrenent du démarreur.

- (1) Vilebrequin
- (2) Volant
- (3) Vis de bielle

## [8] CULBUTEURS

La rampe de culbuteurs comprend les culbuteurs (1), les supports de culbuteurs (4) et l'axe de culbuteurs (5); elle transforme le mouvement alternatif des tiges de poussoirs en un mouvement d'ouverture/fermeture des soupapes d'admission et d'échappement.

L'huile de lubrification est envoyée sous pression à travers les supports vers les culbuteurs, qui servent de pivot, de manière à ce que les coussinets de culbuteur et le système tout entier soient correctement lubrifiés.

- (1) Culbuteur
- (2) Contre-écrou
- (3) Vis de réglage
- (4) Support de culbuteur
- (5) Axe de culbuteurs

## [6] NOCKENWELLE UND KRAFTSTOFF-NOCKENWELLE

Die Nockenwelle (3) ist aus speziellem Gußeisen gefertigt. Die Zapfen- und Nockenabschnitte sind gehärtet und bieten eine erhöhte Verschleißfestigkeit. Die Zapfenabschnitte sind druckgeschmiert. Die Kraftstoff-Nockenwelle (8) sorgt für die Steuerung der Hin- und Herbewegung der Einspritzpumpe. Sie ist mit einer Stahlkugel zur Steuerung des Reglers ausgerüstet. Die Kraftstoff-Nockenwelle ist aus Kohlenstoffstahl gefertigt. Die Nockenabschnitte sind vergütet und bieten eine erhöhte Verschleißfestigkeit.

- (1) Nockengetriebe
- (2) Nockenwellenbegrenzer
- (3) Nockenwelle
- (4) Einspritzpumpe
- (5) Reglermuffe
- (6) Kraftstoff-Nockenwellenbegrenzer
- (7) Kugellager
- (8) Kraftstoff-Nockenwelle
- (9) Stahlkugel

## [7] SCHWUNGRAD

Das Schwungrad speichert die Drehkraft des Verbrennungstakt als Masseträgheit und verringert die Umdrehungsschwankungen der Pleuellwelle. Daher sorgt es für gleichmäßiges Drehen des Motors.

Die Außenfläche des Schwungrads ist mit den Einstellmarkierungen für den Einspritzzeitpunkt und für den oberen Totpunkt TC versehen.

Am Außenkranz des Schwungrads sind Radzähne, die mit denen des Ausgleichkegelrads des Anlassers einrasten.

- (1) Pleuellwelle
- (2) Schwungrad
- (3) Schwungrad Schrauben

## [8] KIPPHEBEL

Die Kipphebelanordnung beinhaltet die Kipphebel (1), die Kipphebelböcke (4) und die Kipphebelachse (5). Sie sorgt für die Umsetzung der Hin- und Herbewegung der Pleuellstangen in einer Auf/Zu-Bewegung der Ein- und Auslaßventile.

Das Schmierungsöl wird durch den Bock zur Kipphebelachse gepreßt, die als Drehpunkt dient, so daß die Kipphebelager und das gesamte System ausreichend geschmiert werden.

- (1) Kipphebel
- (2) Gegenmutter
- (3) Stellschraube
- (4) Kipphebelbock
- (5) Kipphebelachse

## 2 LUBRICATING SYSTEM

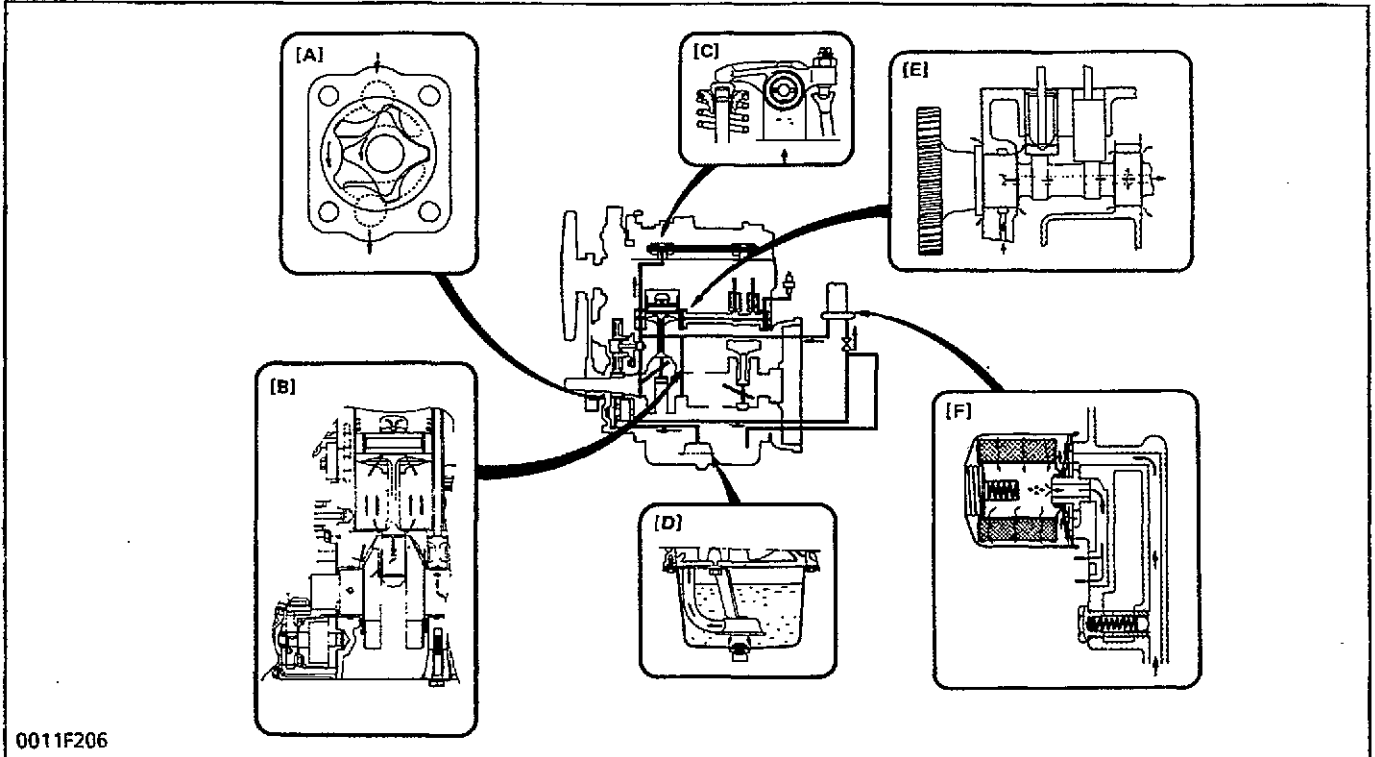
## 2 SYSTEME DE LUBRIFICATION

## 2 SCHMIERUNGSSYSTEM

### [1] GENERAL

### [1] GENERALITES

### [1] ALLGEMEINES



0011F206

This engine lubricating consists of oil strainer, oil pump, relief valve, oil filter cartridge and oil switch. The oil pump sucks lubricating oil from the oil pan through the oil strainer and the oil flows down to the filter cartridge, where it is further filtered. Then the oil is forced to crankshaft, connecting rods, idle gear, camshaft and rocker arm shaft to lubricate each part. Some part of oil, splashed by the crankshaft or leaking and dropping from gaps of each part, lubricates these parts: pistons, cylinders, small ends of connecting rods, tappets, pushrods, inlet and exhaust valves and timing gears.

Le système de lubrification du moteur se compose d'une crépine, d'une pompe à huile, d'une soupape de décharge, d'un filtre à huile à cartouche et d'un manocontact de pression d'huile. La pompe à huile aspire l'huile du carter par l'intermédiaire de la crépine et la force au travers de la cartouche filtre, qui en assure une filtration plus parfaite. Ensuite, l'huile est forcée vers le vilebrequin, les bielles, le pignon de renvoi, l'arbre à cames et l'axe de culbuteurs, afin de lubrifier toutes ces pièces.

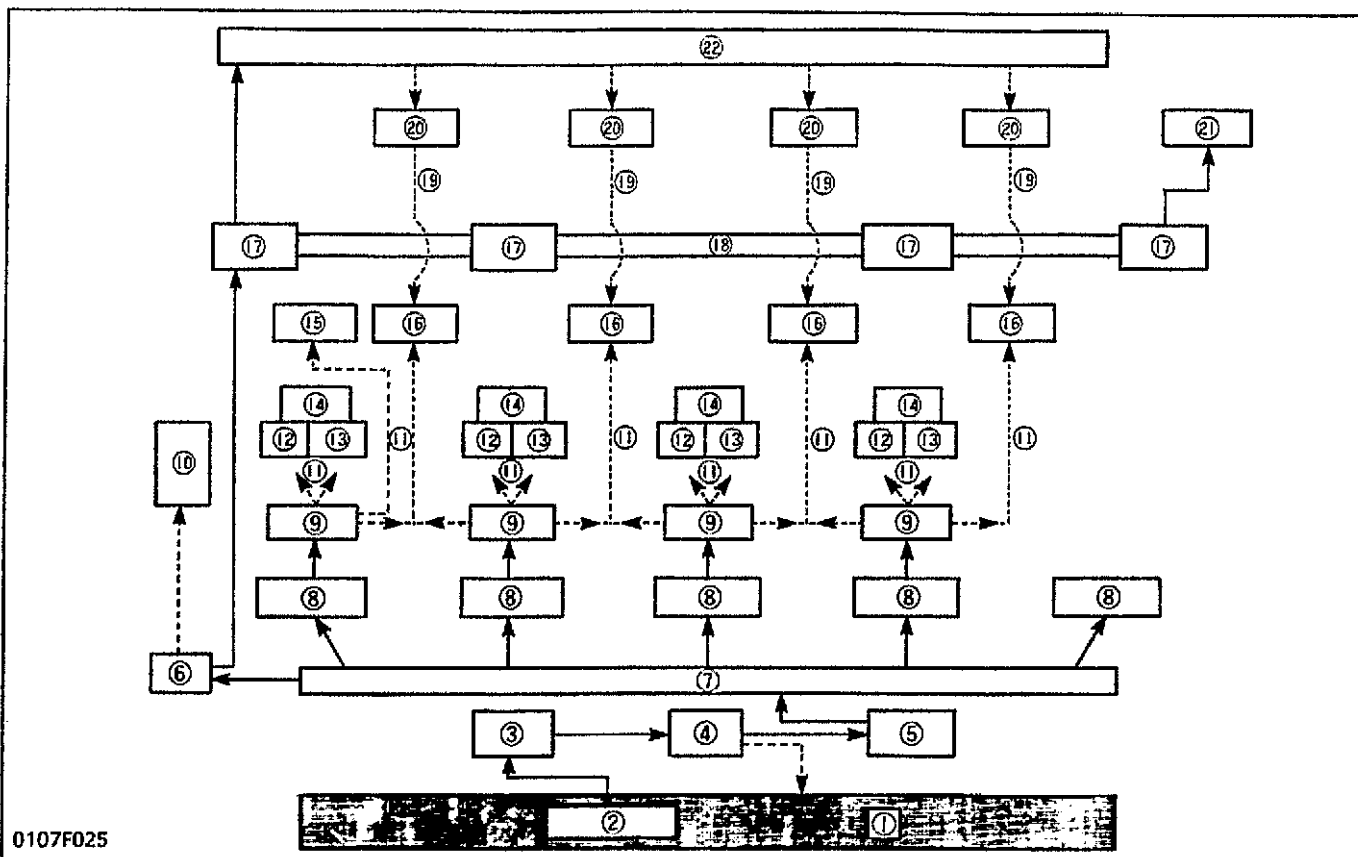
L'huile éclaboussée par le vilebrequin ou dégouttant des orifices des différentes pièces lubrifie les pièces suivantes: pistons, cylindres, pied de bielle et bielle, poussoirs, tiges de poussoirs, soupapes d'admission et d'échappement et pignons de distribution.

Dieses Motorschmierungs-system umfaßt den Ölfilter, die Ölpumpe, das Überdruckventil, die Ölfilterpatrone und den Ölschalter. Die Ölpumpe saugt das Schmierungsöl aus der Ölwanne durch den Ölfilter an. Das Öl fließt sodann in die Filterpatrone, wo es weiter gefiltert wird. Anschließend wird das Öl zur Kurbelwelle sowie zu den Pleuelstangen, dem Leerlaufgetriebe, der Nockenwelle und der Kipphebelachse gepreßt und sorgt für die Schmierung eines jeden dieser Teile. Ein Teil des Öls, der von der Kurbelwelle abgeschleudert wird oder an den Zwischenräumen der Teile austritt und heruntertropft, übernimmt die Schmierung dieser Teile: Kolben, Zylinder, Pleuelstangenkopf, Stößel, Stößelstangen, Ein- und Auslaßventile und Steuerungen.

- [A] Oil Pump
- [B] Piston
- [C] Rocker Arm and Rocker Arm Shaft
- [D] Oil Strainer
- [E] Camshaft
- [F] Oil Filter Cartridge and Relief Valve

- [A] Pompe à huile
- [B] Piston
- [C] Culbuteur et axe de culbuteur
- [D] Crépine
- [E] Arbre à cames
- [F] Cartouche de filtre à huile et soupape de décharge

- [A] Ölpumpe
- [B] Kolben
- [C] Kipphebel und Kipphebelachse
- [D] Ölfilter
- [E] Nockenwelle
- [F] Ölfilterpatrone und Überdruckventil



## Engine Oil Flow

- (1) Oil Pan
- (2) Oil Strainer
- (3) Oil Pump
- (4) Relief Valve
- (5) Oil Filter Cartridge
- (6) Idle Gear
- (7) Main Oil Gallery
- (8) Main Bearing
- (9) Big End
- (10) Timing Gear
- (11) Splash
- (12) Bore
- (13) Small End
- (14) Piston
- (15) Fuel Camshaft
- (16) Tappets
- (17) Camshaft Bearing
- (18) Camshaft
- (19) Drain
- (20) Rocker Arm
- (21) Oil Switch
- (22) Rocker Arm Shaft

## Circuit d'huile

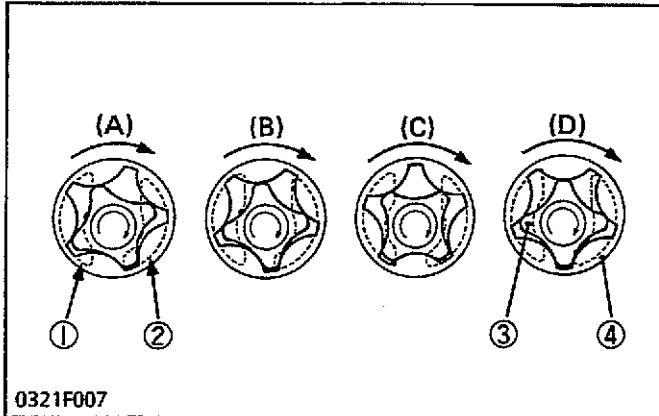
- (1) Carter d'huile
- (2) Crépine
- (3) Pompe à huile
- (4) Soupape de décharge
- (5) Cartouche de filtre à huile
- (6) Pignon de renvoi
- (7) Rampe de distribution d'huile
- (8) Palier principal
- (9) Tête de bielle
- (10) Pignon de distribution
- (11) Eclaboussement
- (12) Alésage
- (13) Pied de bielle
- (14) Piston
- (15) Arbre à cames d'alimentation
- (16) Pousoirs
- (17) Paliers d'arbre à cames
- (18) Arbre à cames
- (19) Retour
- (20) Culbuteur
- (21) Manocontact de pression d'huile
- (22) Arbre de culbuteur

## Motorölstrom

- (1) Ölwanne
- (2) Ölfilter
- (3) Ölpumpe
- (4) Überdruckventil
- (5) Ölfilterpatrone
- (6) Leerlaufgetriebe
- (7) Hauptölkanal
- (8) Hauptlager
- (9) Pleuelstangenfuß
- (10) Steuerung
- (11) Ölspritzer
- (12) Bohrung
- (13) Pleuelstangenkopf
- (14) Kolben
- (15) Kraftstoff-Nockenwelle
- (16) Stößel
- (17) Nockenwellenlager
- (18) Nockenwelle
- (19) Ablauf
- (20) Kipphebel
- (21) Ölschalter
- (22) Kipphebelachse



## [2] OIL PUMP



The oil pump in this engine is a trochoid pump.

Inside the pump body, the 4 lobe inner rotor (3) is eccentrically engaged with the 5 lobe outer rotor (4). The inner rotor is driven by the crankshaft via gears, which in turn rotate the outer rotor.

When the inner rotor rotates, the outer rotor also rotates in the same direction.

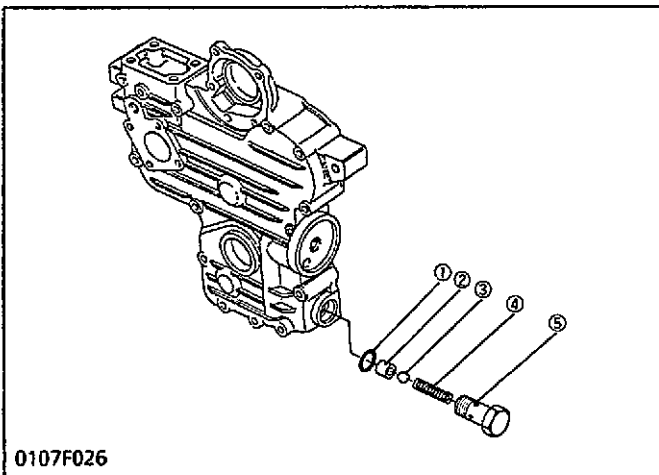
The two rotors have differences in lobe number and center, which generates space between lobes as shown in the figure.

At position (A), there is little space between lobes in the inlet port. As the rotor rotates towards position (B), the space between the lobes becomes larger, creating a negative pressure which sucks in oil.

Outside the inlet port, as shown in position (C), the space between the lobes becomes gradually smaller, and oil pressure increases. At position (D), oil is discharged from the outlet port.

- (1) Inlet
- (2) Outlet
- (3) Inner Rotor
- (4) Outer Rotor

## [3] RELIEF VALVE



The relief valve prevents damage to the lubricating system due to high oil pressure. This relief valve is a ball type direct acting relief valve, and is best suited for low pressures.

When oil pressure exceeds the upper limit, the ball (3) is pushed back by the pressure oil and the oil escapes.

- (1) O-ring
- (2) Valve Seat
- (3) Steel Ball
- (4) Spring
- (5) Relief Valve Body

## [2] POMPE A HUILE

La pompe à huile de ce moteur est une pompe cycloïde.

A l'intérieur du corps de pompe, un rotor intérieur à quatre lobes (3) est engrené de manière excentrique avec un rotor extérieur à cinq lobes (4). Le rotor intérieur est entraîné par le vilebrequin, par l'intermédiaire de pignons qui entraînent à leur tour le rotor extérieur.

Lorsque le rotor intérieur tourne, le rotor extérieur tourne également et dans la même direction.

Les deux rotors ont un centre et un nombre de lobes différents, ce qui engendre un espace entre les lobes comme l'indique la figure. En position (A), il y a peu d'espace entre les lobes du côté de l'orifice d'entrée. Lorsque le rotor tourne vers la position (B) l'espace entre les lobes s'accroît ce qui crée une dépression aspirant l'huile.

A l'extérieur de la lumière d'entrée indiquée en position (C), l'espace entre les lobes diminue progressivement, et la pression d'huile augmente. En position (D), l'huile est refoulée par l'orifice de sortie.

- (1) Entrée
- (2) Sortie
- (3) Rotor intérieur
- (4) Rotor extérieur

## [3] SOUPAPE DE DECHARGE

La soupape de décharge évite les détériorations du circuit de lubrification due à une pression trop élevée de l'huile. Cette soupape est du type direct à bille, qui est le mieux adapté aux basses pressions.

Lorsque la pression d'huile dépasse la limite supérieure, la bille (3) est repoussée par la pression de l'huile si bien que cette dernière peut s'échapper.

- (1) Joint torique
- (2) Siège de soupape
- (3) Bille d'acier
- (4) Ressort
- (5) Corps de soupape de décharge

## [2] ÖLPUMPE

Die in diesem Motor vorgesehene Ölpumpe ist als Trochoidpumpe ausgelegt.

Innerhalb des Pumpengehäuses ist das innere 4-Flügelrad (3) exzentrisch mit dem äußeres 5-Flügelrad (4) gekoppelt. Das innere Flügelrad wird über Getriebe durch die Kurbelwelle angetrieben, die ihrerseits für die Umdrehung des äußeren Flügelrades sorgt. Wenn das innere Flügelrad dreht, so dreht auch das äußere Flügelrad in gleicher Richtung. Die beiden Flügelräder verfügen über eine unterschiedliche Anzahl an Flügeln, sowie über einen unterschiedlichen Mittel-punkt, der für einen Abstand zwischen den Flügeln, wie in der Abbildung gezeigt, sorgt. In position (A) ist nur ein geringer Abstand zwischen den Flügeln am Einlaßschlitz vorhanden. Wenn das Flügelrad in Position (B) dreht, so vergrößert sich der Abstand zwischen den Flügeln und schafft einen Negativdruck, durch den das Öl angesaugt wird.

Außerhalb des Einlaßschlitzes wird der Abstand zwischen den Flügeln, wie in Position (C) gezeigt, allmählich geringer und der Öldruck steigt an. In Position (D) wird das Öl über den Auslaßschlitz abgeführt.

- (1) Einlaß
- (2) Auslaß
- (3) Inneres Flügelrad
- (4) Äußeres Flügelrad

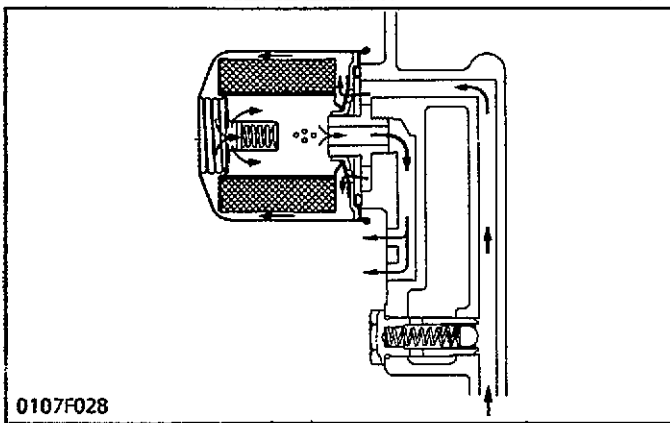
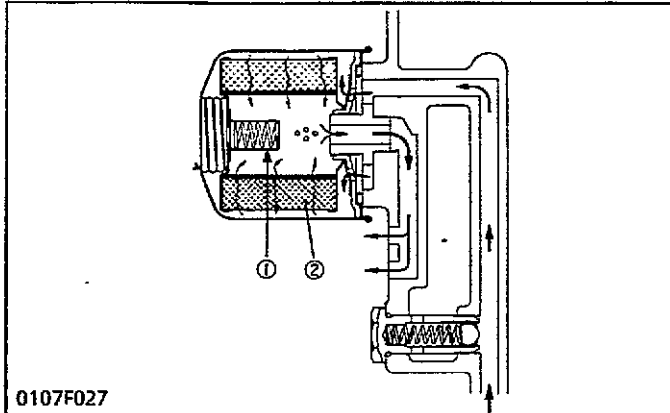
## [3] ÜBERDRUCKVENTIL

Das Überdruckventil verhindert eine Beschädigung des Schmierungssystems infolge hohen Öldrucks. Dieses Überdruckventil ist als unmittelbar wirkendes Kugelventil ausgelegt und insbesondere für niederen Druck geeignet.

Wenn der Öldruck die obere Grenze überschreitet, wird die Kugel (3) durch den Öldruck zurückgeschoben, so daß das Öl austritt.

- (1) O-Ringe
- (2) Ventilsitz
- (3) Stahlkugel
- (4) Feder
- (5) Überdruckventil

**[4] OIL FILTER CARTRIDGE**

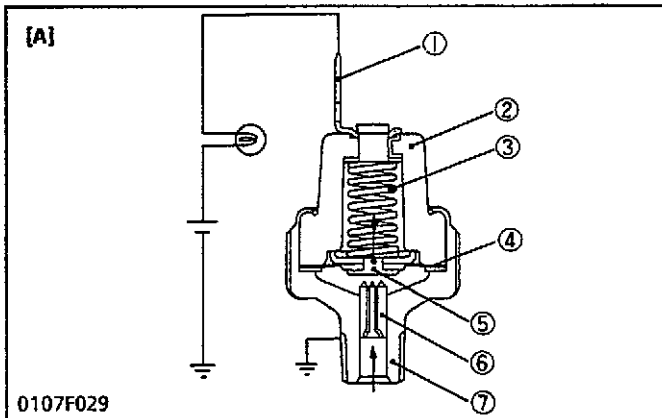


Impurities in engine oil can cause to wear and seize components as well as impairing the physical and chemical properties of the oil itself. Impurities contained in force-fed engine oil are absorbed on the filter paper for removal as they pass through the filter element (2).

When the filter element is clogged and the oil pressure in inlet line builds up by 98 kPa (1.0 kgf/cm<sup>2</sup>, 14 psi) more than the outlet line, the bypass valve (1) opens and the oil flows from inlet to outlet bypassing the filter element.

- (1) Bypass Valve
- (2) Filter Element

**[5] OIL PRESSURE SWITCH**

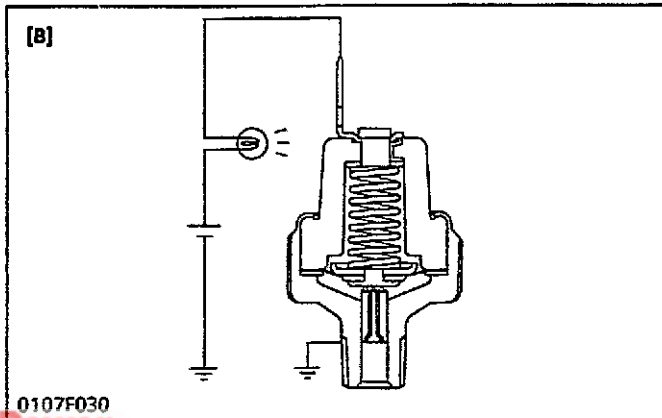


The oil pressure switch is mounted on the cylinder-block, to warn the operator that the lubricating oil pressure is poor.

If the oil pressure falls below 49kPa (0.5 kgf/cm<sup>2</sup>, 7 psi), the oil warning lamp will light up, warning the operator. In this case, stop the engine immediately and check the cause of pressure drop.

- [A] At Proper Oil Pressure
- [B] At Oil Pressures of 49 kPa (0.5 kgf/cm<sup>2</sup>, 7 psi) or Less

- (1) Terminal
- (2) Insulator
- (3) Spring
- (4) Diaphragm
- (5) Contact Rivet
- (6) Contact
- (7) Oil Switch Body



## [4] CARTOUCHE DE FILTRE A HUILE

Les impuretés si elles se mélangent à l'huile moteur, de provoquer une usure prématurée et un grippage des éléments, et de causer une dégradation physique et chimique de l'huile. Les impuretés contenues dans l'huile moteur en circuit forcé sont absorbées par le papier filtrant où elles sont retenues, lorsqu'elles traversent l'élément de filtre (2).

Lorsque l'élément de filtre est colmaté et que la pression d'huile dans le conduit d'entrée dépasse 98 kPa (1,0 kgf/cm<sup>2</sup>) par rapport à la sortie, le soupape de dérivation (1) s'ouvre et l'huile passe de l'entrée à la sortie en évitant l'élément colmaté.

- (1) Soupape de dérivation
- (2) Élément de filtre

## [5] MANOCONTACT DE PRESSION D'HUILE

Le manocontact de pression d'huile, monté sur le bloc-cylindress, est destiné à prévenir l'opérateur lorsque la pression d'huile de lubrification est trop basse.

Si la pression tombe en-dessous de 49 kPa (0,5 kgf/cm<sup>2</sup>, 0,49 bar), le témoin de pression d'huile s'allumera, ce qui prévient l'opérateur. Dans ce cas, mettre immédiatement le moteur à l'arrêt et rechercher la cause de la chute de pression.

- [A] Lorsque la pression d'huile est adéquate
  - [B] Lorsque la pression d'huile est de 49 kPa (0,5 kgf/cm<sup>2</sup>, 0,49 bar), ou moins
- (1) Borne
  - (2) Isolant
  - (3) Ressort
  - (4) Diaphragme
  - (5) Doigt de contact
  - (6) Contact
  - (7) Corps de manocontact

## [4] ÖLFILTERPATRONE

Verunreinigungen im Motoröl, können zu Verschleiß und Festfressen von Teilen sowie zu einer physikalischen und chemischen Beeinträchtigung des Öls führen. Verunreinigungen, die in dem unter Druck zugeführtem Motoröl enthalten sind, werden auf dem Filterpapier bei Durchgang durch den Filtereinsatz (2) absorbiert und entfernt.

Wenn der Filtereinsatz verstopft ist und der Öldruck in der Zuleitung um 98 kPa (1,0 kgf/cm<sup>2</sup>) im Verhältnis zur Ausgangsleitung ansteigt, öffnet das Umlaufventil (1) und das Öl fließt unter Umgehung des Filtereinsatzes vom Eingang zum Ausgang.

- (1) Umlaufventil
- (2) Filtereinsatz

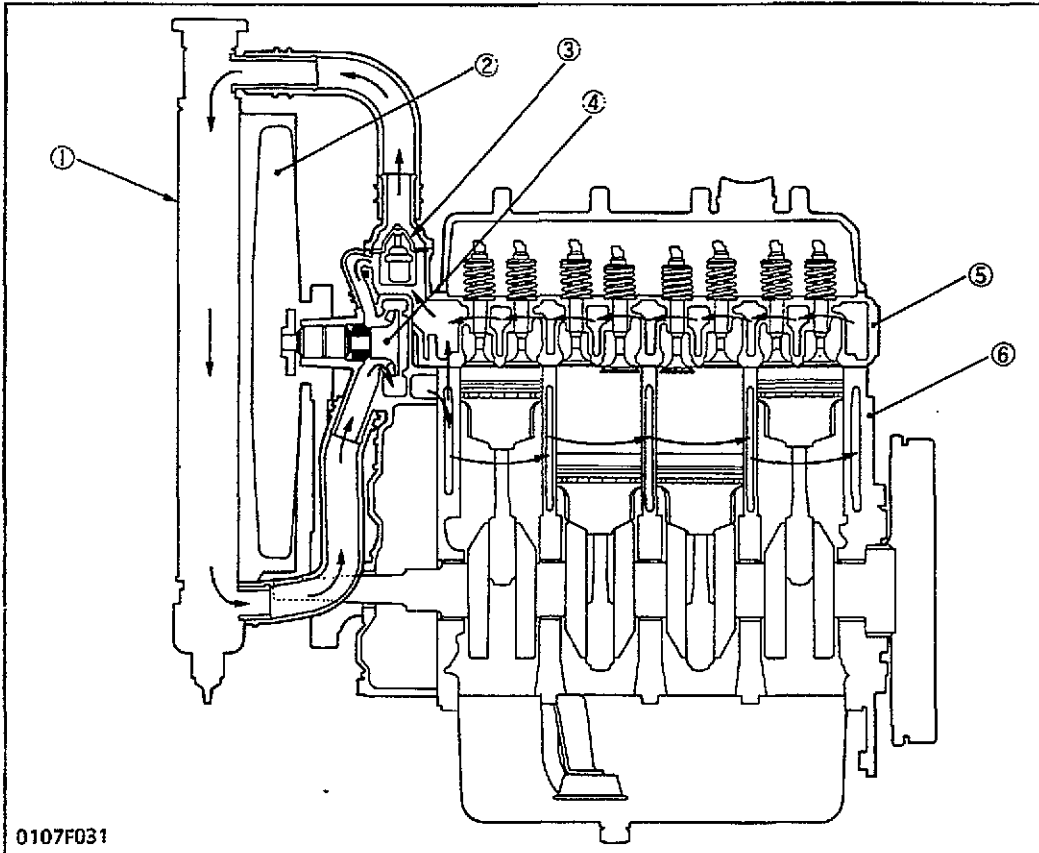
## [5] ÖLDRUCKSCHALTER

Der Öldruckschalter ist auf dem Zylinderblock angeordnet und zeigt einen Abfall des Schmierungsöldruckes an. Wenn der Öldruck unter 49 kPa (0,5 kp/cm<sup>2</sup>, 0,49 bar) abfällt, leuchtet die Öldruckwarnlampe auf, wodurch die Bedienungsperson gewarnt wird. In diesem Fall ist der Motor sofort einzuschalten und die Ursache des Druckabfalls zu überprüfen.

- [A] Bei richtigem Öldruck
  - [B] Bei Öldruck 49 kPa (0,5 kp/cm<sup>2</sup>, 0,49 bar) oder weniger
- (1) Klemme
  - (2) Isolierstoff
  - (3) Feder
  - (4) Membrane
  - (5) Kontaktniet
  - (6) Kontakt
  - (7) Ölschalterkörper

# 3 COOLING SYSTEM

## [1] GENERAL



0107F031

- (1) Radiator
- (2) Suction Fan
- (3) Thermostat
- (4) Water Pump
- (5) Cylinder Head
- (6) Cylinder Block

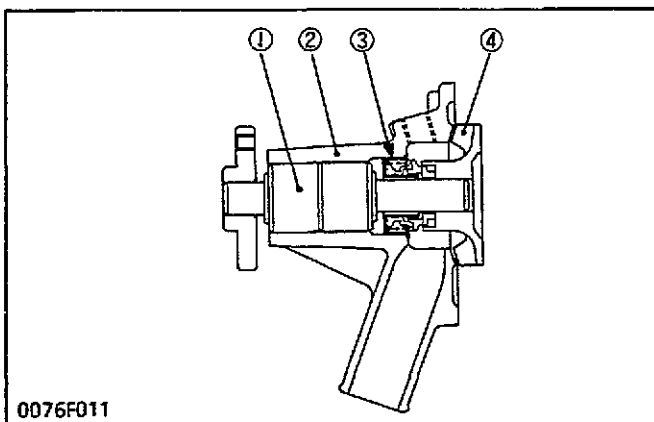
The cooling system consists of a radiator (1) (not included in the basic engine), centrifugal water pump (4), suction fan (2) and thermostat (3).

The water is cooled through the radiator core, and the fan set behind the radiator pulls cooling air through the core to improve cooling.

The water pump sucks the cooled water, forces it into the cylinder block and draws out the hot water.

Then the cooling is repeated. Furthermore, to control temperature of water, a thermostat is provided in the system. When the thermostat opens, the water moves directly to radiator, but when it closes, the water moves toward the water pump. The opening temperature of thermostat is approx. 82°C (180°F).

## [2] WATER PUMP



0076F011

The water pump is driven by the crankshaft via a V-belt. Water cooled in the radiator is sucked into the water pump from its lower portion and is sent from the center of the water pump impeller (4) radially outward into the water jacket in the crankcase.

- (1) Bearing Unit
- (2) Water Pump Body
- (3) Mechanical Seal
- (4) Water Pump Impeller

## **3** SYSTEME DE REFROIDISSEMENT

### [1] GENERALITES

Le système de refroidissement se compose d'un radiateur (1) (non compris dans le moteur de base), d'une pompe à eau centrifuge (4), d'un ventilateur aspirant (2) et d'un thermostat (3).

L'eau est refroidie en passant dans les éléments du radiateur, et le ventilateur placé derrière le radiateur aspire l'air de refroidissement à travers les éléments, pour améliorer le refroidissement.

La pompe à eau aspire l'eau refroidie, la force dans le bloc-moteur et refoule l'eau réchauffée. Ce cycle de refroidissement est alors répété. Pour réguler la température de l'eau, un thermostat est monté dans le système. Lorsque le thermostat s'ouvre, l'eau est dirigée directement vers le radiateur; lorsqu'il est fermé, l'eau se dirige vers la pompe à eau, par la dérivation qui se trouve entre le thermostat et la pompe à eau. La température d'ouverture du thermostat est de 82°C environ.

- (1) Radiateur
- (2) Ventilateur aspirant
- (3) Thermostat
- (4) Pompe à eau
- (5) Culasse
- (6) Bloc-moteur

### [2] POMPE A EAU

La pompe à eau est entraînée par le vilebrequin par l'intermédiaire d'une courroie trapézoïdale. L'eau refroidie dans le radiateur est aspirée dans la pompe à eau à partir de la partie inférieure du radiateur et renvoyée depuis le centre de la turbine (4) vers l'extérieur, dans la chemise de refroidissement du bloc-moteur.

- (1) Palier
- (2) Corps de pompe à eau
- (3) Joint mécanique
- (4) Turbine de pompe à eau

## **3** KÜHLUNGSSYSTEM

### [1] ALLGEMEINES

Das Kühlungssystem umfaßt einen Kühler (1) (nicht im Basismotor enthalten), eine Zentrifugalwasserpumpe (4), ein Saugventilator (2) und einen Thermostat (3).

Das Wasser wird im Radiatorkern abgekühlt und die Kühlluft durch den Radiatorkern mit Hilfe des hinter dem Kühler angeordneten Ventilators abgezogen. Hierdurch wird eine bessere Kühlung erzielt.

Die Wasserpumpe saugt das gekühlte Wasser an, drückt es in den Motorblock und zieht das heiße Wasser heraus. Dann wird der Kühlvorgang wiederholt. Zur Überwachung der Wassertemperatur ist außerdem ein Thermostat in diesem Kreislauf vorgesehen. Bei Öffnung des Thermostats wird das Wasser direkt zum Kühler geführt. Wenn der Thermostat schließt, wird das Wasser der Wasserpumpe über die Umgehungsleitung zwischen Thermostat und Wasserpumpe zugeführt. Die Öffnungstemperatur des Thermostats beträgt etwa 82°C.

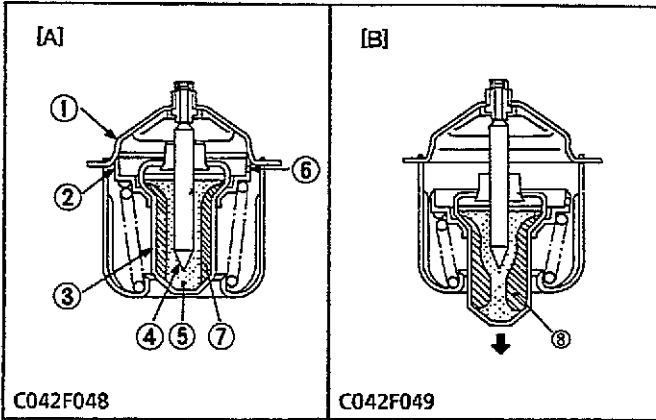
- (1) Kühler
- (2) Saugventilator
- (3) Thermostat
- (4) Wasserpumpe
- (5) Zylinderkopf
- (6) Motorblock

### [2] WASSERPUMPE

Die Wasserpumpe wird durch die Kurbelwelle über einen Keilriemen angetrieben. Das im Kühler abgekühlte Wasser wird im unteren Teil der Wasserpumpe angesaugt und von der Mitte des Flügelrades (4) der Wasserpumpe ausradial in den Wasserkühlmantel des Kurbelgehäuses geführt.

- (1) Lagereinheit
- (2) Wasserpumpengehäuse
- (3) Mechanische Dichtung
- (4) Wasserpumpenflügelrad

[3] THERMOSTAT



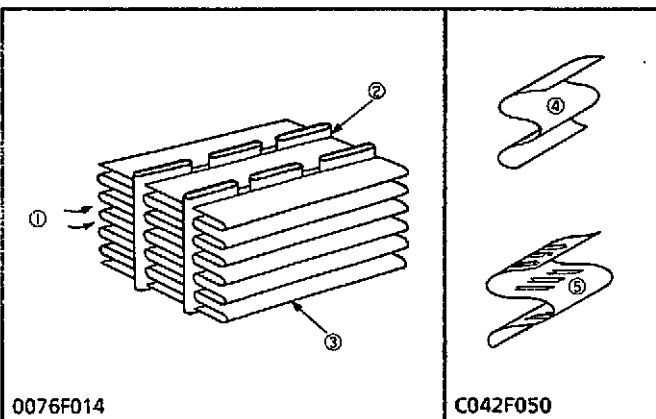
- |             |                      |
|-------------|----------------------|
| (1) Seat    | (5) Synthetic Rubber |
| (2) Valve   | (6) Leak Hole        |
| (3) Pellet  | (7) Wax (solid)      |
| (4) Spindle | (8) Wax (liquid)     |

The thermostat maintains the cooling water at correct temperature. KUBOTA's engine uses a wax pellet type thermostat. Wax is enclosed in the pellet. The wax is solid at low temperatures, but turns liquid at high temperatures, expands and opens the valve.

(A) At low temperatures (lower than 82°C (180°F)).  
As the thermostat is closed, cooling water circulates in the engine through the water return pipe without running to the radiator. Air in the water jacket escapes to the radiator side through leak hole (6) of the thermostat.

(B) At high temperatures (higher than 82°C (180°F)).  
When the temperature of cooling water exceeds 82°C (180°F), wax in the pellet turns liquid and expands. Because the spindle (4) is fixed, the pellet (3) is lowered, the valve (2) is separated from the seat (1), and then cooling water is sent to the radiator.

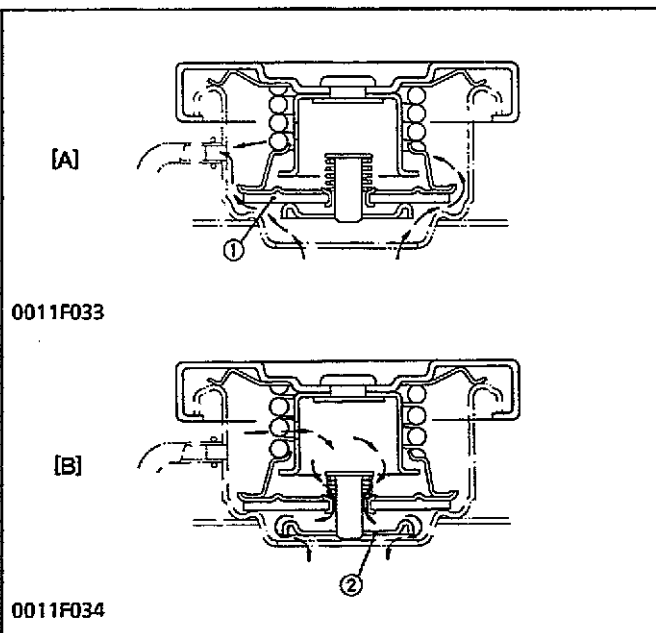
[4] RADIATOR (not included in the basic engine)



The radiator core consists of water carrying tubes and fins (3) at a right angle to the tubes (2). Heat of hot water in the tubes is radiated from the tube walls and fins. KUBOTA's engine uses corrugated fin type core which has a light weight and high heat transfer rate. Clogging is minimized by the louverless corrugated fins.

- |                               |
|-------------------------------|
| (1) Cooling Air               |
| (2) Tube                      |
| (3) Fin                       |
| (4) Louverless Corrugated Fin |
| (5) Louvered Corrugated Fin   |

[5] RADIATOR CAP



The radiator cap is for sustaining the internal pressure of the cooling system at the specified level 88 kPa (0.9 kgf/cm<sup>2</sup>, 13 psi) when the engine is in operation. The cap consists of a pressure valve (1) a vacuum valve (2), valve springs, gasket, etc.

Cooling water is pressurized by thermal expansion of steam, and as its boiling temperature rises, generation of air bubbles will be suppressed. (Air bubbles in cooling water lowers the cooling effect.)

- |   |
|---|
| [A] When radiator internal pressure is high     |
| [B] When radiator internal pressure is negative |

- |                    |
|--------------------|
| (1) Pressure Valve |
| (2) Vacuum Valve   |

### [3] THERMOSTAT

Le thermostat maintient l'eau de refroidissement à une température correcte. Les moteurs KUBOTA sont équipés de thermostat à dilatation, comprenant une partie contenant de la cire. La cire est solide à basse température et se liquéfie à température élevée, gonfle et ouvre le clapet.

A) A basse température (en-dessous de 82°C).

Lorsque le thermostat est fermé, l'eau de refroidissement circule dans le moteur par le conduit de retour, sans passer par le radiateur. L'air qui se trouve dans la chemise de refroidissement s'échappe du côté radiateur par le trou d'échappement (6) du thermostat.

B) A haute température (au-dessus de 82°C).

Lorsque la température de l'eau de refroidissement dépasse 82°C, la cire dans la pastille se liquéfie et gonfle. Comme la tige (4) est fixe, la pastille (3) s'abaisse, le clapet (2) est séparé du siège (1) et l'eau est dirigée vers le radiateur.

- |              |                        |
|--------------|------------------------|
| (1) Siège    | (5) Elastomère         |
| (2) Clapet   | (6) Trou d'échappement |
| (3) Pastille | (7) Cire (solide)      |
| (4) Tige     | (8) Cire (liquide)     |

### [4] RADIATEUR (non compris dans le moteur de base)

Les éléments du radiateur sont composés de tubes à eau et d'ailettes (3) montées perpendiculairement sur les tubes (2). La chaleur de l'eau dans les tubes est dissipée dans les parois des tubes et les ailettes. Sur le moteur KUBOTA, on trouve des éléments à ailettes légères et présentant un taux d'échange thermique très élevé. Les risques d'obstruction sont réduits au minimum parce que les ailettes n'ont pas de fentes.

- |                            |                         |
|----------------------------|-------------------------|
| (1) Air de refroidissement | (4) Ailette sans fentes |
| (2) Tube                   | (5) Ailette à fentes    |
| (3) Ailette                |                         |

### [5] BOUCHON DU RADIATEUR

Le bouchon de radiateur est destiné à maintenir la pression interne du circuit de refroidissement à une valeur spécifiée de 88 kPa (0,9 kgf/cm<sup>2</sup>, 0,88 bar) lorsque le moteur est en fonctionnement. Le bouchon de radiateur comprend une soupape de surpression (1), une soupape de dépression (2), des ressorts de soupape, un joint, etc.

Le liquide de refroidissement est pressurisé par dilatation thermique de la vapeur. Et, lorsque sa température d'ébullition augmente, la génération de bulles d'air est supprimée. (Les bulles d'air dans l'eau de refroidissement réduit l'effet de refroidissement.)

- [A] Lorsque la pression interne du radiateur est haute:  
[B] Lorsque la pression interne du radiateur est négative:

- (1) Crapet à pression  
(2) Crapet à dépression

### [3] THERMOSTAT

Der Thermostat sorgt für die richtige Temperatur des Kühlwassers. Für den KUBOTA Motor wird ein Wachskugel-Thermostat benutzt, wobei das Wachs in der Kugel eingeschlossen ist. Das Wachs ist bei niedriger Temperatur fest, wird jedoch bei hoher Temperatur flüssig, dehnt sich aus und öffnet das Ventil.

A) Bei niedriger Temperatur (unter 82°C).

Bei geschlossenem Thermostat wird das Kühlwasser durch den Wasserrücklaufschlauch in Umlauf gesetzt, ohne zum Kühler zu fließen. Die im Wassermantel enthaltene Luft tritt durch die Auslaßöffnung (6) des Thermostats zur Kühlerseite hin aus.

B) Bei hoher Temperatur (über 82°C).

Wenn die Temperatur des Kühlwassers 82°C überschreitet, verflüssigt sich das in der Kugel enthaltene Wachs und dehnt sich aus. Da die Spindel (4) feststehend ist, sinkt die Kugel (3) nach unten. Das Ventil (2) wird von der Platte (1) getrennt und das Kühlwasser zum Kühler hin geleitet.

- |             |                         |
|-------------|-------------------------|
| (1) Platte  | (5) Synthetischer Gummi |
| (2) Ventil  | (6) Auslaßöffnung       |
| (3) Kugel   | (7) Wachs (fest)        |
| (4) Spindel | (8) Wachs (flüssig)     |

### [4] KÜHLER (nicht im Basismotor enthalten)

Der Kühlerblock umfaßt die Rohre und die Rippen (3), die im rechten Winkel zu den Rohren (2) angeordnet sind. Die Wärme des Warmwassers in den Rohren wird über die Rohrwände und Rippen angestrahlt. Für den KUBOTA Motor wird ein gewellter Rippenblock benutzt, der leichtgewichtig ist und eine hohe Wärmeübertragung bietet. Eine Verstopfung wird durch die gewellten, schlitzfreien Rippen weitgehend ausgeschlossen.

- |              |  |
|--------------|--|
| (1) Kühlluft | (4) Schlitzfreie, gewellte Rippe         |
| (2) Rohr     | (5) Mit Schlitz versehen, gewellte Rippe |
| (3) Rippe    |  |

### [5] KÜHLERVERSCHLUSSKAPPE

Mit der Kühlerverschlußkappe wird bei laufendem Motor der Innendruck der Kühlanlage am vorgeschriebenen Pegel von 88 kPa (0,9 kp/cm<sup>2</sup>, 0,88 bar) erhalten. Die Kappe besteht aus einem Druckventil (1), einem Unterdruckventil (2), Ventildfedern, Dichtungen usw.

Das Kühlwasser wird durch die thermische Volumenausdehnung des Wasserdampfes unter Druck gesetzt und bei steigender Siedetemperatur wird die Erzeugung von Luftblasen unterdrückt. (Im Kühlwasser vorhandene Luftblasen verringern die Kühlwirkung.)

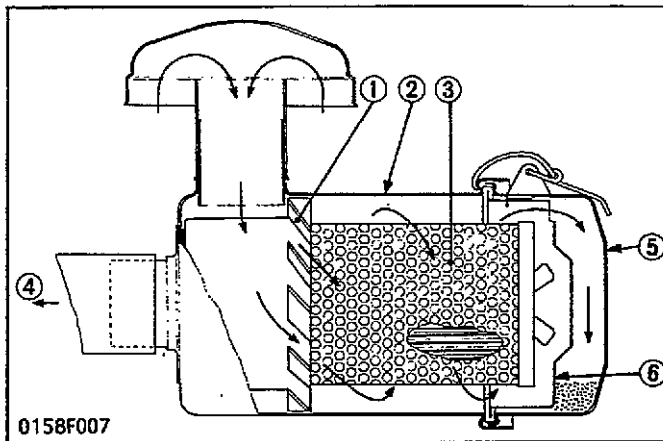
- [A] Wenn der Innendruck im Kühler hoch ist  
[B] Wenn ein Unterdruck im Kühler vorhanden ist

- (1) Druckventil  
(2) Vakuumventil



# 1 INTAKE/EXHAUST SYSTEM

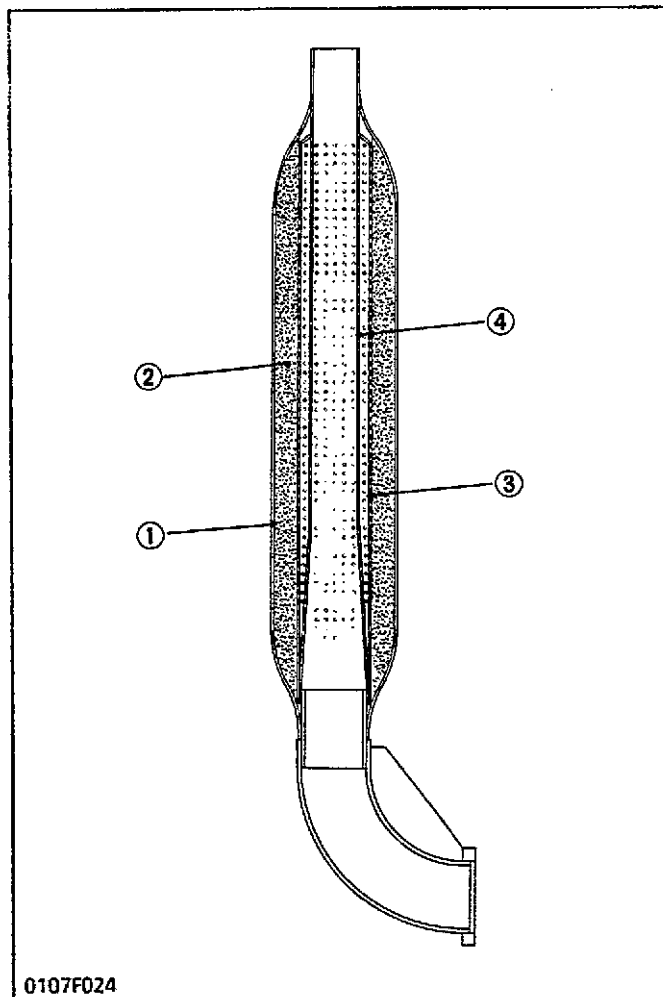
## [1] AIR CLEANER (not included in the basic engine)



The air cleaner is a dry-cyclone type for easy maintenance. Sucked air is caused to flow in a whirling way with fin (1). As a result, heavier dust particles circulate around the circumference and enter the holes in the baffle cover (6) and accumulate in the dust cup (5). Minute dust, while circulating in the air flow, is absorbed by the element (3) and thus prevented from entering the engine.

- (1) Fin
- (2) Air Cleaner Body
- (3) Air Filter Element
- (4) To Cylinder
- (5) Dust Cup
- (6) Baffle Cover

## [2] MUFFLER (not included in the basic engine)



High temperature and high pressure exhaust gas is intermittently discharged by fuel combustion generating pressure waves inside the exhaust pipe which will result in noise.

The muffler is used to reduce this noise.

This muffler consists of a perforated inner tube (4) and outer tube (3), glass wool (2), main body (1), etc. The glass wool placed between the outer tube and main body, absorbs the exhaust noise of higher frequency.

- (1) Main Body
- (2) Glass Wool
- (3) Outer Tube
- (4) Inner Tube

## 4 ADMISSION ET ECHAPPEMENT

### [1] FILTRE A AIR (non compris dans le moteur de base)

Le filtre à air de type sec à cyclone permet un entretien facile. L'air aspiré est mis en turbulence par une ailette (1). Dès lors, les particules de poussière les plus lourdes circulent autour de la circonférence et pénètrent dans les passages du couvercle à chicanes (6) pour s'accumuler dans la cuette poussière (5). La poussière fine qui circule dans le courant d'air est absorbée par l'élément (3), ce qui lui barre le chemin vers le moteur.

- (1) Ailette
- (2) Corps de filtre à air
- (3) Élément de filtre à air
- (4) Vers le cylindre
- (5) Cuette poussière
- (6) Couvercle à chicanes

### [2] POT D'ÉCHAPPEMENT (non compris dans le moteur de base)

Les gaz à haute pression et haute température engendrés par la combustion sont envoyés de manière intermittente dans le tuyau d'échappement, ce qui engendre des variations de pression se traduisant par du bruit. Le pot d'échappement sert à réduire ce bruit. Le pot d'échappement se compose d'un tuyau interne perforé (4) et d'un tuyau externe perforé (3), de laine de verre (2), d'un corps principal (1), etc. La laine de verre placée entre le tuyau externe et le corps principal absorbe les fréquences les plus élevées du bruit d'échappement.

- (1) Corps principal
- (2) Laine de verre
- (3) Tuyau externe
- (4) Tuyau interne

## 4 ANSAUG- UND AUSPUFFSYSTEM

### [1] LUFTFILTER (nicht im Basismotor enthalten)

Der Luftfilter arbeitet nach dem Fliehkraftsystem und bietet eine mühelose Wartung. Der angesaugte Luftstrom wird durchgewirbelt und an einer Rippe (1) vorbeigeführt. Demzufolge werden schwerere Staubpartikel am Rand in Umlauf gesetzt und den Öffnungen des Ablenkblech (6) zugeführt, wo sie in der Staubschale (5) abgelagert werden. Feiner im Luftstrom enthaltener Staub wird im Einsatz (3) gesammelt, der verhindert, daß der Staub in den Motor gelangt.

- (1) Rippe
- (2) Luftfilterkörper
- (3) Luftfiltereinsatz
- (4) Zum Zylinder
- (5) Staubschale
- (6) Ablenkblech

### [2] AUSPUFFTOPF (nicht im Basismotor enthalten)

Die heißen Hochdruckabgase werden stoßweise über Druckwellen durch die Kraftstoffverbrennung in das Auspuffrohr abtransportiert. Hierdurch entstehen Druckwellen innerhalb des Auspuffrohres, die eine Geräuscentwicklung bewirken.

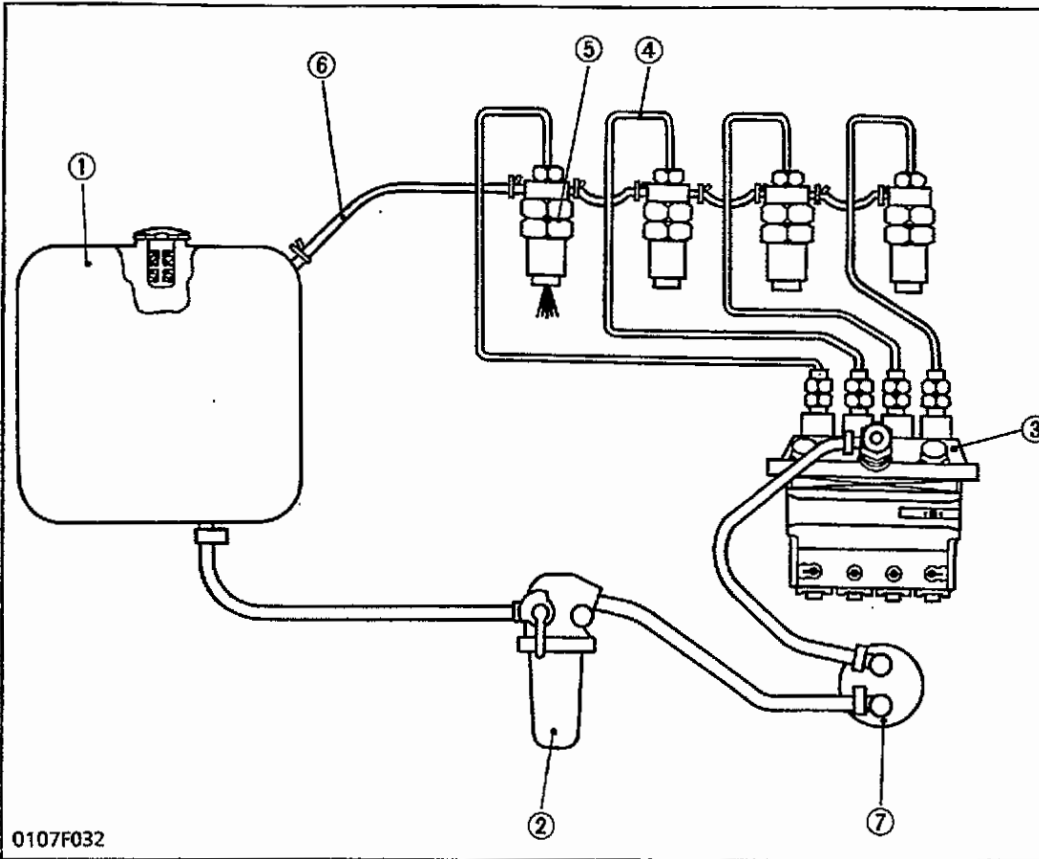
Durch den Auspufftopf wird diese Geräuscentwicklung eingeschränkt.

Der Auspufftopf besteht aus dem mit Löchern versehenen inneren (4) und äußeren Rohr (3), der Glaswolle (2), dem Hauptkörper (1), usw. Die zwischen dem äußeren Rohr und dem Hauptkörper angeordnete Glaswolle absorbiert die höheren Frequenzen der Auspuffgeräusche.

- (1) Hauptkörper
- (2) Glaswolle
- (3) Äußeres Rohr
- (4) Inneres Rohr

# 5 FUEL SYSTEM

## [1] GENERAL



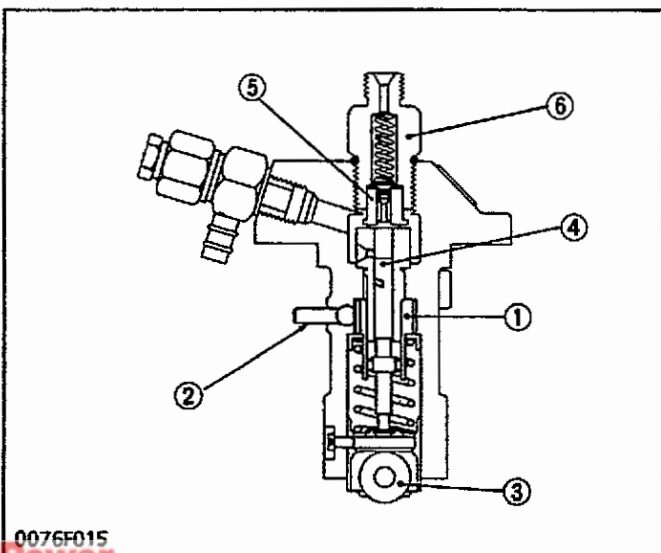
- (1) Fuel Tank
- (2) Fuel Filter
- (3) Injection Pump
- (4) Injection Pipe
- (5) Injection Nozzle
- (6) Fuel Overflow Pipe
- (7) Fuel Lift Pump

Fuel from the fuel tank (1) passes through the fuel filter (2), and then enters the injection pump (3) after impurities such as dirt, water, etc. are removed.

The fuel pressurized by the injection pump to the opening pressure (13.73 to 14.71 MPa, 140 to 150 kgf/cm<sup>2</sup>, 1991 to 2062 psi), of the injection nozzle (5) is injected into the combustion chamber.

Part of the fuel fed to the injection nozzle (5) lubricates the moving parts of the plunger inside the nozzle, then returns to the fuel tank through the fuel overflow pipe (6) from the upper part of the nozzle holder.

## [2] INJECTION PUMP



A Bosch K type mini pump is used for the injection pump. It is small, lightweight and easy to handle.

The plunger (4) with a right-hand lead reciprocates via the tappet roller (3) by means of the camshaft fuel cam, causing the fuel to be delivered into the injection nozzle.

- (1) Control Sleeve
- (2) Control Rack
- (3) Tappet Roller
- (4) Plunger
- (5) Delivery Valve
- (6) Delivery Valve Holder

## 5 SYSTEME D'ALIMENTATION

### [1] GENERALITES

Le carburant parvient du réservoir (1), passe par le filtre à carburant (2) et pénètre dans la pompe d'injection (3) une fois que les impuretés telles que poussière, eau, etc. ont été séparées.

Le carburant est pressurisé dans la pompe d'injection au niveau de la pression d'ouverture (13,73 à 14,71 MPa, 140 à 150 kgf/cm<sup>2</sup>, 137,3 à 147,1 bar), de l'injecteur. L'injecteur (5) injecte le carburant dans la chambre de compression. Une partie du carburant parvenant à l'injecteur (5) lubrifie les pièces mobiles du plongeur à l'intérieur de l'injecteur, puis retourne au réservoir par l'intermédiaire du tuyau de trop-plein (6) qui est situé sur la partie supérieure du porte-injecteur.

- (1) Réservoir de carburant
- (2) Filtre à carburant
- (3) Pompe d'injection
- (4) Tuyau d'injection
- (5) Injecteur
- (6) Tuyau de trop-plein de carburant
- (7) Pompe d'alimentation

### [2] POMPE D'INJECTION

On utilise une mini-pompe d'injection, modèle Bosch K. Elle est petite, légère et facilement manipulable.

Le piston (4), présentant un pas la main droite, va et vient avec le galet de poussoir (3) par l'intermédiaire de la came de carburant de l'arbre à cames. Le carburant est alors fourni à l'injecteur.

- (1) Douille de réglage
- (2) Tige de réglage
- (3) Galet de poussoir
- (4) Piston
- (5) Clapet de refoulement
- (6) Tubulure de refoulement

## 5 KRAFTSTOFF-SYSTEM

### [1] ALLGEMEINES

Der Kraftstoff fließt vom Tank (1) durch den Kraftstofffilter (2) hindurch und dann in die Einspritzpumpe (3), nachdem Verunreinigungen durch Schmutz, Wasser usw. herausgefiltert worden sind.

Der Kraftstoff wird durch die Einspritzpumpe auf den Abspritzdruck (13,73 bis 14,71 MPa, 140 bis 150 kp/cm<sup>2</sup>, 137,3 bis 147,1 bar) der Einspritzdüse gebracht und wird dann von der Einspritzdüse (5) in die Verbrennungskammer eingespritzt.

Ein Teil des der Einspritzdüse (5) zugeführten Kraftstoffs wird zur Schmierung des sich bewegenden Kolbens in der Einspritzdüse verwendet und dann über die Überlaufleitung (6), die oben an der Einspritzdüsenhalterung angeschlossen ist, an den Kraftstofftank zurückgegeben.

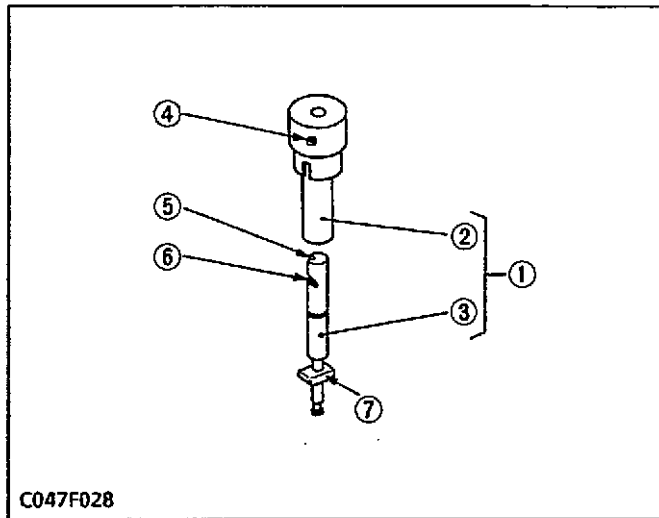
- (1) Kraftstofftank
- (2) Kraftstofffilter
- (3) Einspritzpumpe
- (4) Einspritzleitung
- (5) Einspritzdüse
- (6) Überlaufleitung
- (7) Kraftstoff-Förderpumpe

### [2] EINSPRITZPUMPE

Eine Bosch K Minipumpe dient als Einspritzpumpe. Sie zeichnet sich durch ihre geringe Größe, ihr geringes Gewicht und leichte Handhabung aus.

Der Kolben (4) wird über die Stößelrolle (3) durch die Einspritznocke auf der Nockenwelle hinund herbewegt, wodurch der Einspritzdüse Kraftstoff zugeführt wird.

- (1) Regelhülse
- (2) Regelstange
- (3) Stößelrolle
- (4) Kolben
- (5) Druckventil
- (6) Druckventilhalter

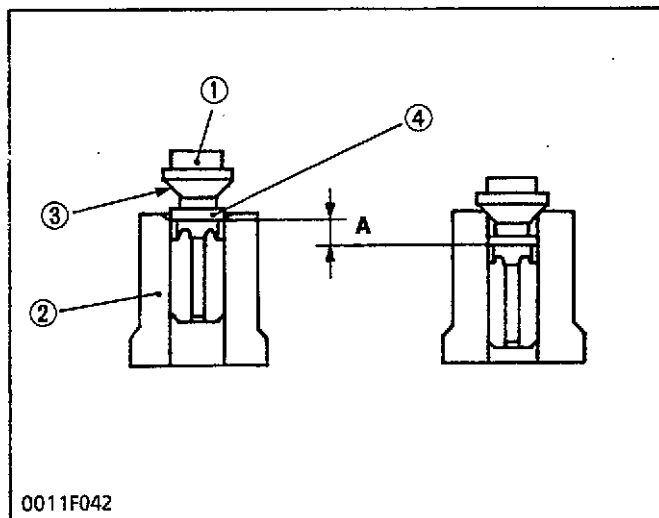
**(1) Pump Element**

The pump element (1) is consist of the plunger (3) and cylinder (2).

The sliding surfaces are super-precision machined to maintain injection pressure at engine low speeds. Since the driving face (7) fits in the control sleeve, the plunger (3) is rotated by the movement of the control rack to increase or decrease of fuel delivery.

As described above, the plunger (3) is machined to have the slot (5) and the control groove (6).

- (1) Pump Element
- (2) Cylinder
- (3) Plunger
- (4) Feed Hole
- (5) Slot
- (6) Control Groove
- (7) Driving Face

**(2) Delivery Valve**

The delivery valve consists of the delivery valve (1) and delivery valve seat (2).

The delivery valve performs the following functions.

**1. Reverse flow preventing function**

If the fuel flow reverse from the injection nozzle side when the plunger lowers, the time lag between the next delivery start and the nozzle injection start increases. To avoid this, the delivery valve chamber to injection pipe interruption by delivery valve (1) prevents this reverse flow, thus keeping fuel always filled in the nozzle and pipe.

**2. Suck-back function**

After completing the fuel delivery, the delivery valve lowers, and the relief plunger (4) end contacts the delivery valve seat (2). The valve further lowers until its seat surface (3) seats firmly the delivery valve seat. During this time, the amount of fuel corresponding to (A) is sucked back from inside the injection pipe, the pressure inside the pipe is reduced, thus leading to an improved injection shut off and preventing after leakage dribbling.

- (1) Delivery Valve
- (2) Delivery Valve Seat
- (3) Seat Surface
- (4) Relief Plunger

## (1) Élément de pompe

L'élément de pompe (1) comporte un piston (3) et un cylindre (2).

Les surfaces de glissement sont usinées avec précision pour maintenir la pression d'injection au régime lent du moteur. Etant donné que le doigh de comande (7) s'emboîte dans le macnchon de contrôle, le piston (3) est tourné par le mouvement de la tige crémaillère pour augmenter ou diminuer le débit de refoulement de carburant.

Comme décrit ci-dessus, le piston (3) est usiné pour avoir la rainure verticale (5) et la rainure de contrôle (6).

- (1) Élément de pompe
- (2) Cylindre
- (3) Piston
- (4) Orifice d'admission
- (5) Rainure verticale
- (6) Rainure de contrôle
- (7) Doigh de comande

## (2) Clapet de refoulement

La clapet de refoulement comporte un clapet (1) et un siège de clapet (2).

La clapet de refoulement remplit les fonctions suivantes.

### 1. Fonction anti-retour

Si le carburant retourne de l'injecteur lorsque le piston descend, le temps depuis le commencement du refoulement suivant jusqu'au début d'injection est prolongé. Afin d'éviter un tel phénomène, l'écoulement de la chambre de refoulement au tuyau d'injection est interrompu par la clapet de refoulement, permettant ainsi de maintenir le carburant dans l'injecteur et le tuyau.

### 2. Fonction aspiration

Après le refoulement de carburant, le clapet descend, et la collerette cylindrique (4) entre en contact avec le siège de clapet (2). Le clapet descend davantage jusqu'à ce que sa surface de siège (3) se colle contre le siège de clapet. Pendant ce temps, le volume de carburant correspondant à (A) est aspiré depuis l'intérieur du tuyau d'injection et la pression interne du tuyau est réduite, permettant ainsi d'améliorer l'arrêt d'injection et de prévenir le dégouttement de carburant après fuite.

- (1) Clapet de refoulement
- (2) Siège de clapet
- (3) Surface de siège
- (4) Collerette cylindrique

## (1) Pumpenelement

Das Pumpenelement (1) besteht aus einem Kolben (3) und einem Zylinder (2).

Die Gleitflächen sind besonders feinbearbeitet, um den Einspritzdruck bei niedriger Motordrehzahl aufrechtzuerhalten. Da der Antriebsflansch (7) in die Regelhülse einpaßt, wird der Kolben (3) durch die Bewegung der Regelstange gedreht, und dadurch wird die Kraftstoffförderung erhöht bzw. vermindert.

Wie vorstehend beschrieben, ist der Kolben (3) derart ausgeführt, daß er eine Längsnut (5) und eine Regelnut (6) besitzt.

- (1) Pumpenelement
- (2) Zylinder
- (3) Kolben
- (4) Zufuhröffnung
- (5) Längsnut
- (6) Regelnut
- (7) Antriebsflansch

## (2) Druckventill

Das Druckventil besteht aus dem Druckventil (1) und dem Druckventilsitz (2).

Das Druckventil funktioniert wie folgt.

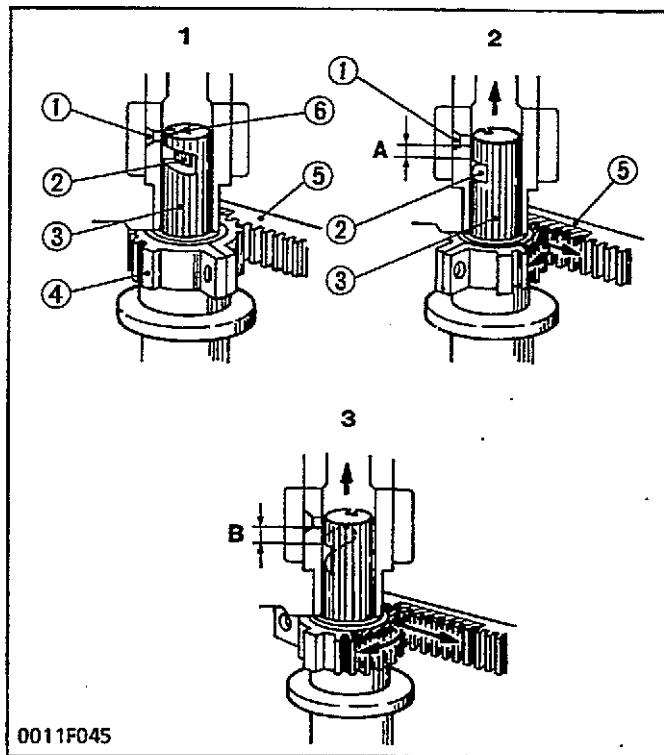
### 1. Verhinderung eines Gegenstroms

Wird der Kraftstofffluß aus der Einspritzdüsenseite bei Senken des Kolbens umgekehrt, erhöht sich der Zeitabstand zwischen dem Beginn der nächsten Zuführung und dem Beginn der Düseneinspritzung. Um dies zu vermeiden, unterbricht das Druckventil den Durchfluß zwischen dem Druckraum und Einspritzrohr und verhindert dadurch einen Gegenstrom, so daß die Düse und das Rohr stets mit Kraftstoff gefüllt ist.

### 2. Rücksaugfunktion

Nach erfolgter Kraftstoffförderung senkt sich das Druckventil und der Kopf des Entlastungskolbens (4) kommt mit dem Druckventilsitz (2) in Berührung. Das Ventil sinkt weiter, bis seine Sitzfläche (3) fest am Druckventilsitz aufsitzt. Während dieser Zeit wird die Kraftstoffmenge (A) aus dem Inneren des Einzspritzrohrs zurückgesaugt, der Druck im Rohr fällt ab, eine verbesserte Einspritzabspernung erfolgt und ein Leckage-tröpfeln wird verhindert.

- (1) Druckventil
- (2) Druckventilsitz
- (3) Sitzfläche
- (4) Entlastungskolben

**(3) Injection Control****1. No fuel delivery ----- Engine stop**

When the control rack (5) is set at the engine stop position, the plunger does not force fuel and no fuel is delivered since the feed hole (1) aligns with the slot (6) in the plunger (3).

**2. Partial fuel delivery**

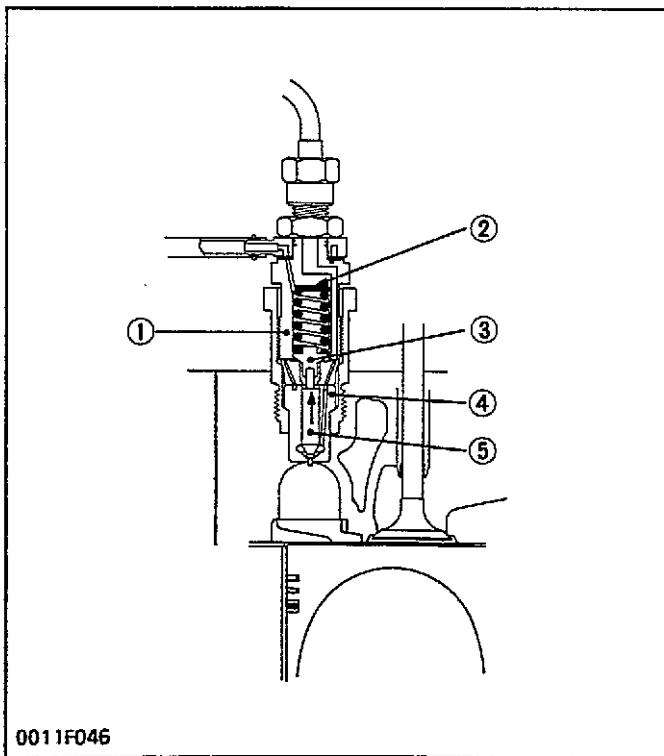
When the plunger (3) is rotated by the control rack (5) in the direction of arrow, the fuel is delivered to the injection nozzle.

The amount of fuel corresponds to the effective stroke (A) from closing the feed hole (1) by the plunger head to contact of the control groove (2) with the feed hole.

**3. Maximum fuel delivery**

When the control rack is moved to the extreme end in the direction of the arrow, the effective stroke (B) of the plunger is at its maximum, thus the maximum fuel delivery occurs.

- (1) Feed Hole
- (2) Control Groove
- (3) Plunger
- (4) Control Sleeve
- (5) Control Rack
- (6) Slot

**[3] INJECTION NOZZLE**

This nozzle is throttle-type. The needle valve (5) is pushed against the nozzle body (4) by the nozzle spring via the push rod (3). Fuel pressurized by the injection pump pushes the needle valve up and then is injected into the sub-combustion chamber.

Excessive flow passes from nozzle holder center through the eye joint and the fuel overflow pipe to the fuel tank.

The injection pressure is 13.73 to 14.71 MPa (140 to 150 kgf/cm<sup>2</sup>, 1991 to 2133 psi), and is adjusted with adjusting washers (2).

- (1) Nozzle Holder Body
- (2) Adjusting Washer
- (3) Push Rod
- (4) Nozzle Body
- (5) Needle Valve

### (3) Réglage d'injection

#### 1. Aucune alimentation en carburant ... Arrêt du moteur

Lorsque la tige de réglage (5) est mise sur la position d'arrêt du moteur, le piston n'agit pas sur le carburant et aucun carburant n'est envoyé, car l'orifice d'alimentation (1) s'aligne sur la rainure verticale (6) du piston (3).

#### 2. Alimeentation partielle en carburant

Lorsque le piston (3) est tourné par la tige de réglage (5) dans le sens de la flèche, le carburant est fourni à l'injecteur.

Le volume de carburant correspond à la course effective (A): de la fermeture de l'orifice d'alimentation (1) par la tête de piston jusqu'au contact de la rainure contrôle (2) avec l'orifice d'alimentation.

#### 3. Alimentation maximum en carburant

Lorsque la tige crémaillère est déplacée à fond dans le sens de la flèche, la course effective (B) du piston devient maximum, conduisant ainsi à une alimentation maximum en carburant.

- (1) Orifice d'alimentation
- (2) Rainure contrôle
- (3) Piston
- (4) Douille de réglage
- (5) Tige de réglage
- (6) Rainure verticale

### [3] INJECTEURS

Les injecteurs sont du type à jet étrangleur. Le clapet d'injecteur (5) est repoussé contre le corps d'injecteur (4) par le ressort d'injecteur, par l'intermédiaire de la tige de poussoir (3). Le carburant sous pression provenant de la pompe d'injection repousse vers le haut le clapet d'injecteur et est ensuite injecté dans la chambre de pré-combustion.

Le carburant excédentaire passe du centre du porte-injecteur, par le joint d'injecteur et par le conduit de retour d'injecteur, pour revenir au réservoir de carburant. La pression d'injection est de 13,73 à 14,71 MPa (140 à 150 kgf/cm<sup>2</sup>), ou la règle à l'aide de rondelles de réglage (2).

- (1) Corps du porte-injecteur
- (2) Rondelle de réglage
- (3) Tige de poussoir
- (4) Corps d'injecteur
- (5) Clapet d'injecteur

### (3) Einspritzregelung

#### 1. Keine Kraftstoffförderung ... Motorstopp

Wird die Regelstange (5) auf die Motorstopp-Position gestellt, wird kein Kraftstoff durch den Kolben unter Druck gesetzt und kein Kraftstoff gefördert, da sich die Zulauföffnung (1) mit der Längsnut (6) im Kolben (3) ausrichtet.

#### 2. Teilweise Kraftstoffförderung

Während der Kolben (3) durch die Regelstange (5) in Pfeilrichtung gedreht wird, wird der Kraftstoff zur Einspritzdüse gefördert.

Die Kraftstoffmenge entspricht dem effektiven Hub (A) d.h. vom Schließen der Zulauföffnung (1) durch den Kolbenboden bis die Regelnut (2) die Zulauföffnung berührt.

#### 3. Maximale Kraftstoffförderung

Wird die Regelstange bis zum Ende in Pfeilrichtung bewegt, erreicht der effektive Hub (B) des Kolbens seinen Höchstwert und die maximale Kraftstoffförderung erfolgt.

- (1) Zulauföffnung
- (2) Regelnut
- (3) Kolben
- (4) Regelhülse
- (5) Regelstange
- (6) Längsnut

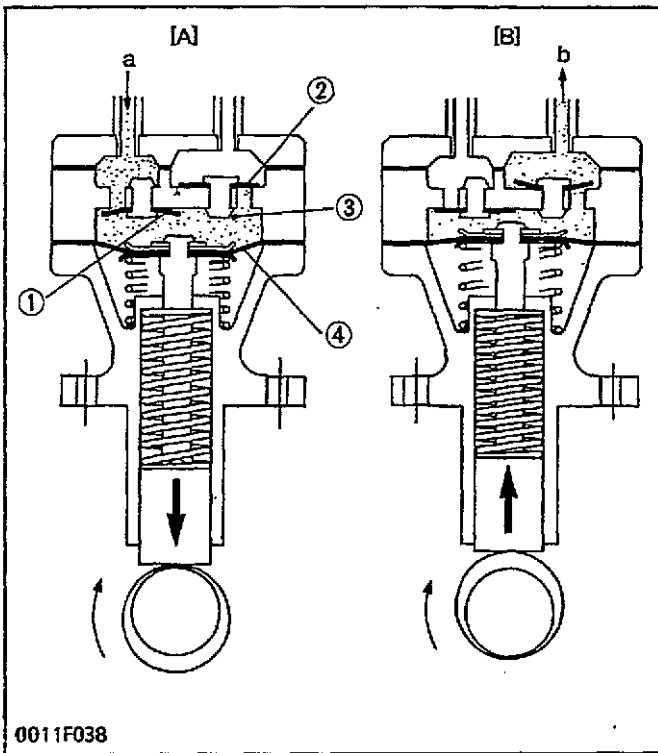
### [3] EINSPRITZDÜSE

Die Einspritzdüse ist mit einer Drosselklappe ausgerüstet. Das Nadelventil (5) wird gegen den Düsenkörper (4) von der Düsenfeder über die Stößelstange (3) gedrückt. Der durch die Einspritzpumpe unter Druck gesetzte Kraftstoff schiebt das Nadelventil nach oben und wird dann in die untere Verbrennungskammer eingespritzt. Der übermäßige Kraftstoff fließt von der Mitte des Düsenbehälters durch den Stangenkopf und das Kraftstoffüberlaufrohr zum Kraftstoffbehälter. Der Einspritzdruck beträgt 13,73 bis 14,71 MPa (140 bis 150 kgf/cm<sup>2</sup>) und wird durch Stellscheiben (2) eingestellt.

- (1) Düsenbehälter
- (2) Stellscheibe
- (3) Stößelstange
- (4) Düsenkörper
- (5) Nadelventil



**[4] FUEL LIFT PUMP**



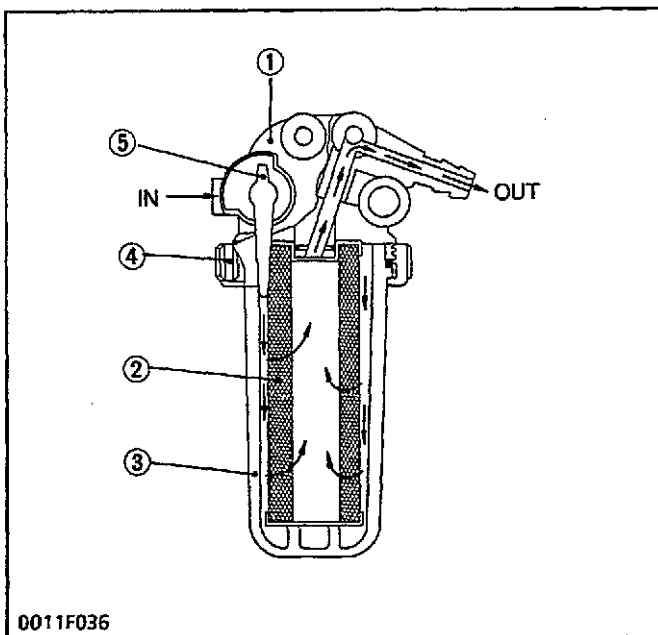
Filtered fuel is fed to the injection pump by the fuel lift pump. The fuel lift pump operates as shown in the figure. Power is applied to the tappet by an eccentric movement on the fuel camshaft. As the fuel camshaft rotates, the eccentric movement causes the tappet to move up and down. The tappet is linked to a flexible diaphragm (4) via the pull rod.

When the diaphragm is pulled down, a low vacuum or low pressure area is created above the diaphragm. This causes atmospheric pressure in the fuel tank to force fuel into the fuel lift pump. The inlet valve (1) opens to admit fuel into the chamber (3).

When the diaphragm is pushed up, pressure is created in the area above the diaphragm. This pressure closes the inlet valve and opens the outlet valve (2), forcing fuel from the pump through the fuel pipe to the injection pump.

- [A] Inlet Stroke
- [B] Discharge Stroke
- (a) From Fuel Filter
- (b) To Injection Pump
- (1) Inlet Valve
- (2) Outlet Valve
- (3) Chamber
- (4) Diaphragm

**[5] FUEL FILTER (not included in the basic model)**



Each moving part of the injection pump and nozzle is extremely precision machined, and clearances of their sliding parts are extremely small. Fuel itself serves as lubricating oil. For this reason, it is extremely important to completely remove water and dirt contained in fuel.

This fuel filter, which uses very fine filter paper, serves to separate and filter dirt in fuel and water accumulated in the tank.

Air vent plug is fitted to the cock body. Before starting or after disassembling and reassembling, loosen this plug and bleed the air in the fuel system.

- (1) Cock Body
- (2) Filter Element
- (3) Filter Cup
- (4) Retaining Ring
- (5) Fuel Cock

## [4] POMPE D'ALIMENTATION

Après filtration, le carburant est envoyé à la pompe d'injection par la pompe d'alimentation. La pompe d'alimentation fonctionne comme indiqué dans la figure. Un excentrique de l'arbre à came d'alimentation agit sur le poussoir. Lorsque l'arbre à came d'alimentation tourne, l'excentrique fait monter et descendre le poussoir. Le poussoir est relié à une membrane (4) par l'intermédiaire d'une tige de traction.

Lorsque la membrane est attirée vers le bas, il se forme une légère dépression ou zone de basse pression au-dessus de la membrane. Cette dépression crée un appel de pression atmosphérique dans le réservoir à carburant, ce qui force le carburant dans la pompe d'alimentation. Le clapet d'aspiration (1) s'ouvre pour laisser passer le carburant dans le compartiment (3).

Lorsque la membrane est repoussée vers le haut, il se forme une pression dans la zone au-dessus de la membrane. Cette pression ferme le clapet d'aspiration et ouvre le clapet de refoulement (2), poussant à force le carburant de la pompe dans le conduit d'alimentation menant à la pompe d'injection.

- [A] Course d'aspiration
- [B] Course de refoulement
- (a) En provenance du filtre à carburant
- (b) En direction de la pompe d'injection
- (1) Clapet d'aspiration
- (2) Clapet de refoulement
- (3) Compartiment
- (4) Membrane

## [5] FILTRE A CARBURANT (non compris dans le modèle de base)

Chaque pièce mobile de la pompe d'injection et de l'injecteur est usinée avec précision, et les jeux de leurs parties glissantes sont extrêmement faibles. Le carburant lui-même sert d'huile lubrifiante. Pour cette raison, il est extrêmement important d'éliminer l'humidité et les souillures contenues dans le carburant.

Ce filtre à carburant dont l'élément est en papier très fin est destiné à capter les souillures dans le carburant et eau accumulée dans le réservoir.

Le bouchon de vidange d'air est fixé sur le corps de robinet. Avant le démarrage et après le démontage ou le remontage, desserrer ce bouchon pour purger l'air du circuit de carburant.

- (1) Corps de robinet
- (2) Élément de filtre
- (3) Cuve de filtre
- (4) Collier de arrêtoir
- (5) Robinet

## [4] KRAFTSTOFF-FÖRDERPUMPE

Der gefilterte Kraftstoff wird über die Kraftstoff-Förderpumpe der Einspritzpumpe zugeführt. Die Kraftstoff-Förderpumpe arbeitet, wie in der Abbildung dargestellt. Der Stößel wird über einen Exzenter auf der Kraftstoff-Nockenwelle betrieben. Bei Drehung der Kraftstoff-Nockenwelle wird der Stößel durch den Exzenter nach oben und unten bewegt. Der Stößel ist über die Stößelstange mit einer flexibeln Membrane (4) verbunden.

Wenn die Membrane heruntergezogen wird, entsteht oberhalb der Membrane ein Unterdruck, der bewirkt, daß der Kraftstoff durch den im Kraftstoffbehälter vorhandenen Luftdruck in die Kraftstoff-Förderpumpe gepreßt wird.

Das Einlaßventil (1) öffnet und läßt den Kraftstoff in die Kammer (3) einströmen. Wenn die Membrane nach oben gedrückt wird, wird oberhalb der Membrane ein Druck aufgebaut. Dieser schließt das Einlaßventil und öffnet das Auslaßventil (2), wodurch der Kraftstoff von der Pumpe durch die Kraftstoffleitung zur Einspritzpumpe hin gepreßt wird.

- [A] Einlaßhut
- [B] Auslaßhub
- (a) Vom Kraftstoff-Filter
- (b) Zur Einspritzpumpe
- (1) Einlaßventil
- (2) Auslaßventil
- (3) Kammer
- (4) Membrane

## [5] KRAFTSTOFFFILTER (nicht im Basismodell enthalten)

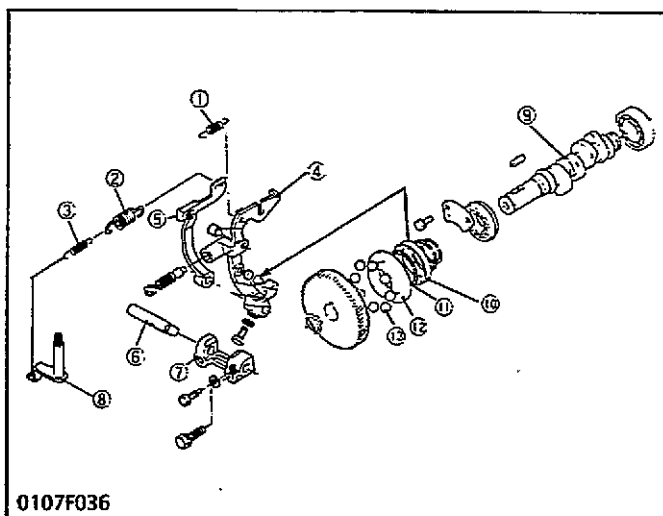
Sämtliche bewegte Teile der Einspritzpumpe und Düse sind besonders feinbearbeitet und das Spiel der verschiebbaren Teile ist sehr gering. Der Kraftstoff selbst dient als Schmieröl. Aus diesem Grund ist es besonders wichtig, daß das Wasser und die Verunreinigungen die im Kraftstoff enthalten sind restlos entfernt werden.

Dieser Filter verwendet ein sehr feines Filterpapier und dient dazu, die Verunreinigungen im Kraftstoff und das im Behälter angehäuften Wasser zu filtrieren bzw. abzuscheiden.

Die Entlüftungsschraube ist am Kraftstoffhahnkörper angebracht. Vor dem Anlassen, oder vor Demontage bzw. Zusammenbau ist diese Schraube zu lösen und das Kraftstoffsystem zu entlüften.

- (1) Kraftstoffhahnkörper
- (2) Filtereinsatz
- (3) Filterschale
- (4) Klammering
- (5) Kraftstoffhahn

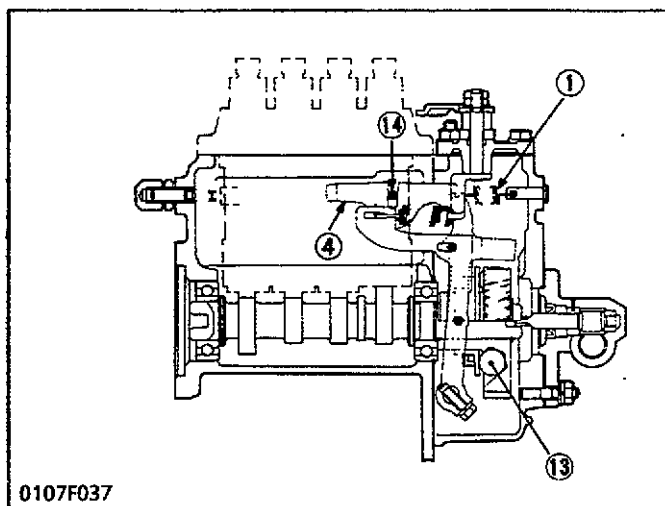
## [6] GOVERNOR



The governor serves to keep engine speed constant by automatically adjusting the amount of fuel supplied to the engine according to changes in the load. This engine employs an all-speed governor which controls the centrifugal force of the steel ball (13) weight, produced by rotation of the fuel camshaft (9), and the tension of the governor spring 1 (2) and 2 (3) are balanced.

- |                       |                         |
|-----------------------|-------------------------|
| (1) Start Spring      | (8) Governor Lever      |
| (2) Governor Spring 1 | (9) Fuel Camshaft       |
| (3) Governor Spring 2 | (10) Governor Ball Case |
| (4) Fork Lever 1      | (11) Steel Ball         |
| (5) Fork Lever 2      | (12) Governor Sleeve    |
| (6) Fork Lever Shaft  | (13) Steel Ball         |
| (7) Fork Lever Holder |                         |

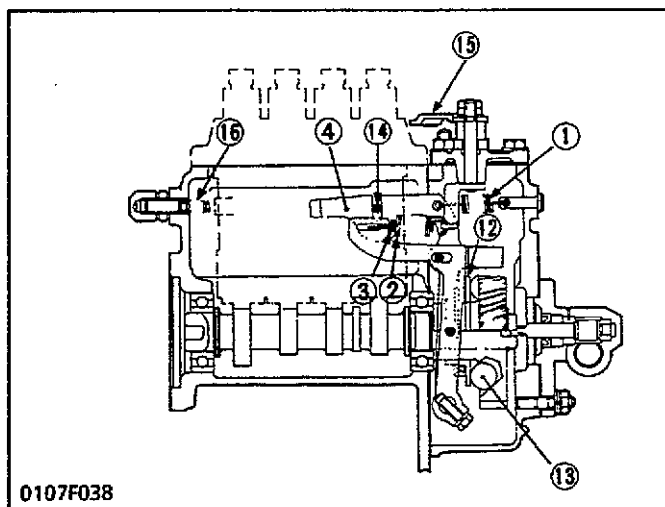
### ■ At start



Since the steel balls (13) have no centrifugal force, a fork lever 1 (4) is pulled to the right by the starter spring (1). Accordingly, the control rack (14) moves to the maximum injection position to assure easy starting.

- (14) Control Rack

### ■ At idling



When the speed control lever (15) is set at the idling position after the engine starts, the governor spring 1 (2) does not work at all and the governor spring 2 (3) does only act slightly. The governor sleeve (12) is pushed leftward by a centrifugal force of steel balls (13).

Therefore, the fork lever 1 (4) and control rack (14) are moved to the left by the governor sleeve (12) and then the idling limit spring (16) is compressed by the control rack. As a result, the control rack is kept at a position where a centrifugal force of steel balls and forces start spring (1), governor spring 2 and idling limit spring are balanced, providing stable idling.

- (15) Speed Control Lever  
(16) Idling Limit Spring

## [6] REGULATEUR

Le régulateur sert à maintenir le régime moteur constant en dosant automatiquement la quantité de carburant envoyée au moteur, en fonction des variations de charge. Ce moteur possède un régulateur tous régimes qui commande la force centrifuge des billes en acier (13), force produite par la rotation de l'arbre à came d'alimentation (9), afin d'équilibrer la charge entre le ressort de régulateur 1 (2) et le ressort 2 (3).

- |                             |                                     |
|-----------------------------|-------------------------------------|
| (1) Ressort de démarrage    | (9) Arbre à came d'alimentation     |
| (2) Ressort de régulateur 1 | (10) Boîtier de bille de régulateur |
| (3) Ressort de régulateur 2 | (11) Bille en acier                 |
| (4) Levier à chape 1        | (12) Manchon de régulateur          |
| (5) Levier à chape 2        | (13) Bille en acier                 |
| (6) Axe de levier à chape   |                                     |
| (7) Porte-levier à chape    |                                     |
| (8) Levier de régulateur    |                                     |

### ■ Au démarrage

Etant donné qu'aucune force centrifuge ne s'exerce sur les billes en acier (13), le levier à chape 1 (4) est tiré en position verticale par le ressort de démarrage (1). En conséquence, la crémaillère de pilotage (14) est placée en position d'injection maximum ce qui assure un démarrage facile.

- (14) Crémaillère de pilotage

### ■ Au ralenti

Lorsque, après mise en marche du moteur, le levier de commande de vitesse (15) est placé en position de ralenti, le ressort 1 du régulateur (2) ne travaille pas du tout et le ressort 2 (3) n'a qu'une faible action. Le manchon de régulateur (12) est poussé vers la gauche par la force centrifuge des billes (13).

En conséquence, le levier à chape 1 (4) et la crémaillère de pilotage (14) sont déplacés vers la gauche par le manchon du régulateur et, ainsi, le ressort limiteur de ralenti (16) est comprimé par la crémaillère de pilotage. Il s'ensuit que la crémaillère de pilotage est maintenue dans une position d'équilibre entre la force centrifuge des billes et les forces du ressort de démarrage (1), du ressort 2 de régulateur et du ressort limiteur de ralenti, ce qui donne un ralenti régulier.

- (15) Levier de commande de vitesse  
(16) Ressort limiteur de ralenti

## [6] DREHZAHLREGLER

Der Drehzahlregler sorgt für eine automatische Konstanthaltung der Motordrehzahl, indem er die Kraftstoffmenge, die dem Motor je nach Ladeveränderung zuführt, wird regelt. Dieser Motor arbeitet mit einem für alle Drehzahl ausgelegten Regler, der die durch die Drehung der Kraftstoff-Nockenwelle (9) erzeugte Fliehkraft des stahlkugelgewichts (13) steuert. Die Reglerfeder 1 (2) und 2 (3) wird gleichmäßig beansprucht.

- |                         |                            |
|-------------------------|----------------------------|
| (1) Anlaßfeder          | (8) Reglerhebel            |
| (2) Reglerfeder 1       | (9) Kraftstoff-Nockenwelle |
| (3) Reglerfeder 2       | (10) Reglerkugelgehäuse    |
| (4) Gabelhebel 1        | (11) Stahlkugel            |
| (5) Gabelhebel 2        | (12) Reglerbüchse          |
| (6) Gabelhebelachse     | (13) Stahlkugel            |
| (7) Gabelhebelhalterung |                            |

### ■ Beim Start

Da die Stahlkugeln (13) keiner Fliehkraft unterstehen, wird der Gabelhebel 1 (4) nach rechts von der Anlasserfeder (1) angezogen. Dementsprechend bewegt sich die Regelstange (14) in die maximale Einspritzposition und gewährleistet ein müheloses Starten.

- (14) Regelstange

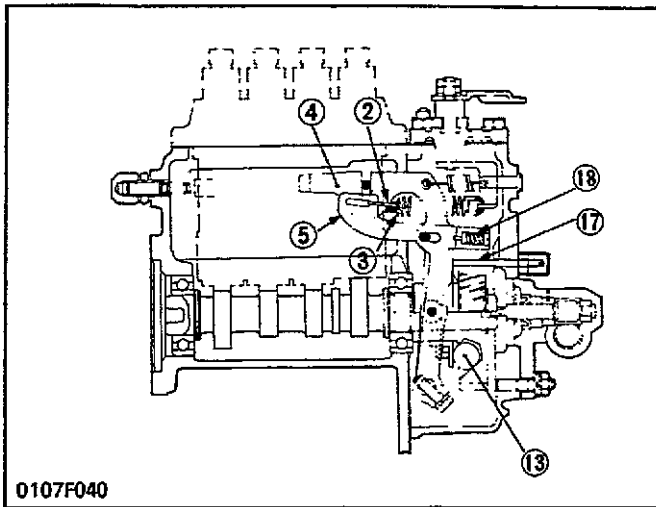
### ■ Bei Leerlauf

Wenn nach Anlassen des Motors der Geschwindigkeitsreglerhebel (15) in Leerlaufposition gebracht wird, ist keine Funktion der Reglerfeder 1 (2) und nur eine geringe Funktion der Reglerfeder 2 (3) gegeben. Die Reglermanschette (12) wird durch die Fliehkraft der Stahlkugeln (13) nach links geschoben.

Der Gabelhebel 1 (4) und die Regelstange (14) werden somit durch die Reglermanschette nach links bewegt, während die Leerlaufbegrenzungsfeder (16) durch die Regelstange zusammengedrückt wird. Die Regelstange wird sodann in einer Position gehalten, in der eine Fliehkraft der Stahlkugeln und eine Betätigung der Anlasserfeder (1) gegeben ist, wobei die Reglerfeder 2 und die Leerlaufbegrenzungsfeder ausgeglichen sind und einen ruhigen und beständigen Leerlauf gewährleisten.

- (15) Geschwindigkeitsreglerhebel  
(16) Leerlaufbegrenzungsfeder

### ■ At high speed running with overload

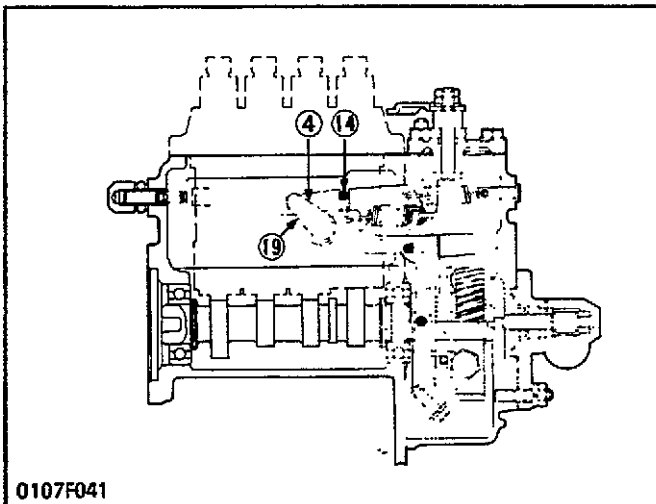


When an overload is applied to the engine running at a high speed, the centrifugal force of steel balls (13) becomes small as the engine speed is dropped, and fork lever 2 (5) is pulled to the right by the governor springs 1 (2) and 2 (3), increasing fuel injection. Though, fork lever 2 becomes ineffective in increasing fuel injection when it is stopped by the adjusting bolt (17).

After that, when the force of torque spring (18) becomes greater than the centrifugal force of the steel ball, fork lever 1 (4) moves rightward to increase fuel injection, causing the engine to run continuously at a high torque.

- (17) Adjusting Bolt
- (18) Torque Spring

### ■ To stop engine



When the stop lever (19) is moved to STOP position, fork lever 1 (4) is moved leftward and the control rack (14) is moved to the non-injection position, stopping the engine.

- (19) Stop Lever

### ■ Marche à régime élevée avec surcharge

Lorsqu'un moteur tournant à grande vitesse, subit une surcharge, la force centrifuge des billes (13) devient moindre en raison de la chute du régime moteur; le levier à chape 2 (5) est alors tiré vers la droite par les ressorts 1 (2) et 2 (3) du régulateur, ce qui augmente l'injection de carburant. Ce pendant, le levier à chape 2 n'agit pas pour augmenter l'injection du carburant s'il est arrêté par la vis de réglage (17).

Après cela, lorsque la force du ressort (18) devient supérieure à la force centrifuge des billes, le levier à chape 1 (4) se déplace vers la droite pour augmenter l'injection de carburant, faisant tourner le moteur en continu avec un couple élevé.

(17) Vis de réglage

(18) Ressort

### ■ Pour arrêter le moteur

Lorsque le levier d'arrêt (19) est placé en position STOP, le levier à chape 1 (4) est déplacé vers la gauche et la crémaillère de pilotage (14) vient se placer en position d'arrêt d'injection, ce qui met le moteur à l'arrêt.

(19) Levier d'arrêt

### ■ Bei hoher Drehzahl mit Überlast

Wenn der Motor bei hoher Drehzahl einer Überlast ausgesetzt wird, vermindert sich die Fliehkraft der Stahlkugeln (13) entsprechend dem Abfall der Motordrehzahl. Der Gabelhebel 2 (5) wird durch die Reglerfedern 1 (2) und 2 (3) nach rechts gezogen und die Kraftstoffeinspritzung erhöht. Der Gabelhebel 2 bewirkt keine erhöhte Kraftstoffeinspritzung, wenn er durch die Stellschraube (17) in Anschlagposition gebracht wird.

Wenn die Kraft der Feder (18) größer wird als die Fliehkraft der Stahlkugeln, bewegt sich der Gabelhebel 1 (4) nach rechts und bewirkt eine erhöhte Kraftstoffeinspritzung, während der Motor gleichmäßig bei hohem Drehmoment läuft.

(17) Stellschraube

(18) Feder

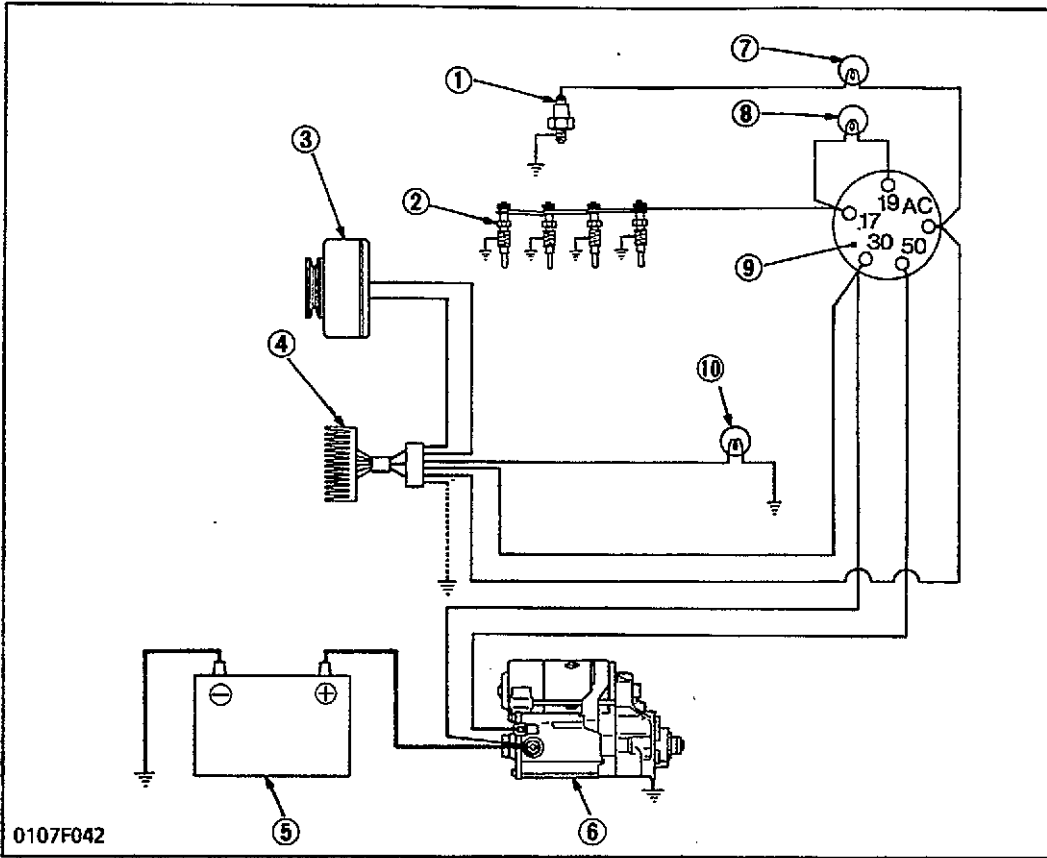
### ■ Ausschalten des Motors

Wenn der Anschlaghebel (19) in Anschlagstellung gebracht wird, bewegt sich der Gabelhebel 1 (4) nach links, während sich die Regelstange (14) in die Nicht-Einspritz-Position bewegt und so den Motor ausschaltet.

(19) Anschlaghebel

# 6 ELECTRICAL SYSTEM

## [1] GENERAL



- (1) Oil Switch
- (2) Glow Plug
- (3) Alternator
- (4) Regulator
- (5) Battery
- (6) Starter
- (7) Oil Lamp
- (8) Glow Plug Indicator
- (9) Key Switch
- (10) Charge Lamp

\*(5), (7), (8), (9) and (10) are not included in the basic engine.

0107F042

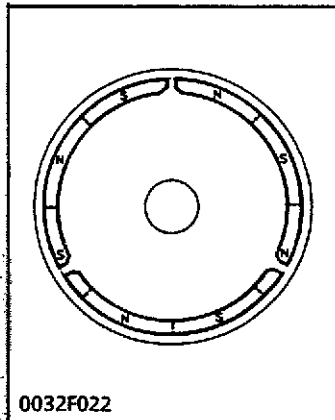
The electrical system of the engine consists of a starting system (including a starter, glow plugs, etc.), a charging system (including a alternator, regulator, etc.), a battery and an oil switch.

## [2] CHARGING SYSTEM

### (1) Alternator



0302P005



0032F022

This alternator is an 8 pole rotating magnet type generator. It is simple in construction, consisting of a stator and rotor.

The rotor is made up of eight permanent magnet pole pieces assembled on a shaft and rotates on the center of the stator around which eight electromagnetic coils are provided. This alternator produces higher voltage in slow speed rotation, and charges electric current to the battery during engine idling.

Rotation direction	Clockwise (as seen from pulley side)
Speed in normal use	1600 to 5600 rpm
Charging performance	Over 14A at 5200 rpm
Charge starting speed	Over 1800 rpm

## 6 SYSTEME ELECTRIQUE

### [1] GENERALITES

Le système électrique du moteur est constitué par le système de démarrage (comprenant le démarreur, les bougies de préchauffage, etc.), par un système de charge (comprenant un alternateur, un régulateur, etc.), par la batterie et par un manocontact de pression d'huile.

- (1) Manocontact de pression d'huile
- (2) Bougie de préchauffage
- (3) Alternateur
- (4) Régulateur
- (5) Batterie
- (6) Démarreur
- (7) Témoin de pression d'huile
- (8) Témoin de bougie de préchauffage
- (9) Contacteur à clef
- (10) Témoin de charge

\* (5), (7), (8), (9), et (10) ne sont pas compris dans le moteur de base.

### [2] CIRCUIT DE CHARGE

#### (1) Alternateur

Cet alternateur est du type à aimant rotatif 8 pôles. De construction simple, il est constitué d'un stator et d'un rotor. Le rotor se compose de huit pièces polaires à aimant permanent montées sur un arbre; il tourne au centre du stator autour duquel huit bobinages électromagnétiques sont placés. Ce alternateur donne une tension supérieure à une vitesse de rotation lente et envoie du courant électrique de charge à la batterie lorsque le moteur est au ralenti.

Sens de la rotation	Vers la droite (vue de la poulie)
Vitesse de régime	1600 à 5600 tr/mn
Performance de charge	Plus de 14A à 5200 tr/mn
Vitesse de début de charge	Plus de 1800 tr/mn

## 6 ELEKTRISCHES SYSTEM

### [1] ALLGEMEINES

Das elektrische System des Motors besteht aus einem Anlassersystem (einschließl. einem Anlasser, Glühkerzen usw.), sowie aus einem Ladesystem (einschließl. einer Wechselstrom-Lichtmaschine, einem Regler usw.), einer Batterie und einem Ölschalter.

- (1) Ölschalter
- (2) Glühkerze
- (3) Wechselstromdynamo
- (4) Regler
- (5) Batterie
- (6) Anlasser
- (7) Öllampe
- (8) Glühkerzenanzeige
- (9) Kippschalter
- (10) Ladelampe

\* (5), (7), (8), (9), und (10) sind nicht im Basismotor enthalten.

### [2] LADESYSTEM

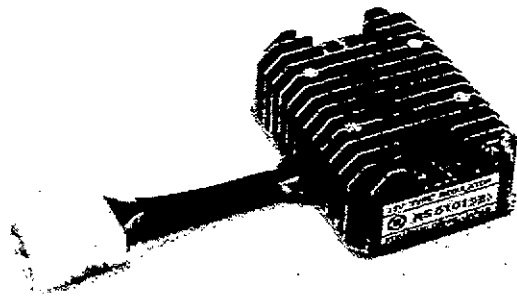
#### (1) Wechselstromdynamo

Bei dieser Lichtmaschine handelt es sich um eine 8 polige Drehmagnet-Lichtmaschine. Sie ist von einfacher Konstruktion und besteht aus einem Stator und einem Rotor. Der Rotor umfaßt 8 Dauermagnete, die auf einer Achse angeordnet sind. Er dreht auf dem Mittelpunkt des Stators, auf dem 8 elektromagnetische Spulen vorgesehen sind. Diese Lichtmaschine liefert eine höhere Spannung bei langsamer Umdrehung und versorgt die Batterie mit elektrischem Strom bei Leerlauf des Motors.

Drehrichtung	Rechtsdrehung (Von der Riemenscheibe her gesehen)
Drehzahlen bei Normalbetrieb	1600 bis 5600 Upm
Ladeleistung	Über 14A bei 5200 Upm
Ladeeinsetzdrehzahlen	Über 1800 Upm



**(2) Regulator**

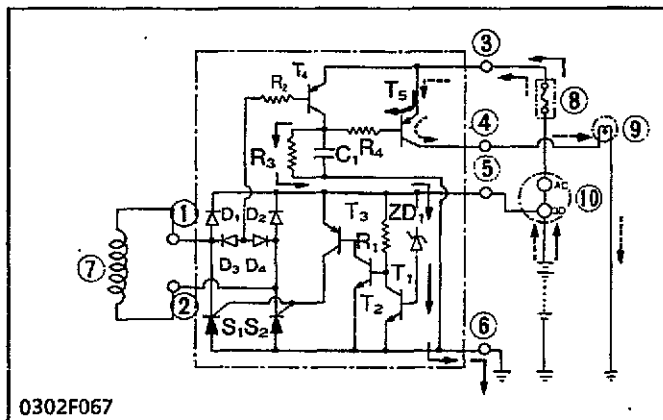


0302P006

A regulator has two functions:

1. When the battery voltage is low, it turns the SCR on to form a charging circuit to the battery.
2. During charging, it turns the charging lamp off.

■ When the key switch is turned "ON"

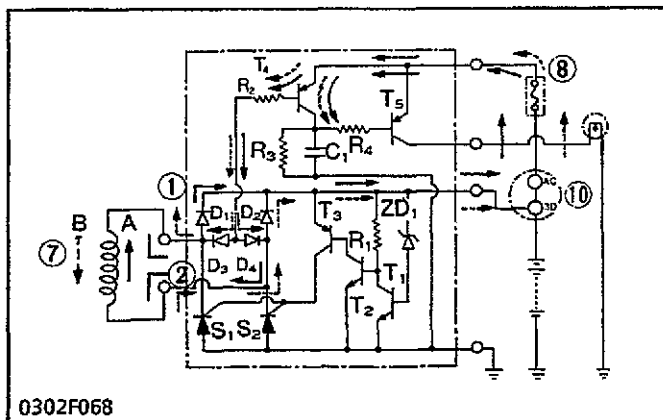


0302F067

When the key switch is turned on, current (→) flows from the base of transistor T5 to resistor R4, resistor R3 and to ground, turning transistor T5 on. Then, the current (→) flows to the charge lamp to light.

- (1) Light Blue (To alternator)
- (2) Light Blue (To alternator)
- (3) Yellow (To key switch AC terminal)
- (4) Green (To charge lamp)
- (5) Red (To key switch terminal No.30)
- (6) Black (To ground)
- (7) Alternator
- (8) Fuse
- (9) Charge Lamp
- (10) Key Switch

■ When the engine starts



0302F068

When the engine starts and a generated voltage in the alternator causes a current in ↑ (A) direction, the current flows as follows:

Diode D1 → Key Switch → Transistor T4 → Resistor R2 → Diode D4 → Alternator.

With a current in ↓ (B) direction, a current flows as follows:

Diode D2 → Key Switch → Transistor T4 → Resistor R2 → Diode D3 → Alternator.

In both cases, the current flows to the base of transistor T4 to turn T4 on.

When transistor T4 is turned on, potential difference between the emitter and base of transistor T5 becomes zero, turning T5 off. The charge lamp then goes off.

A capacitor C1 is provided to stabilize voltage across resistor R3. Without this capacitor, transistor T4 repeats on and off at low voltage in the alternator, and the charge lamp lights dimly. This capacitor eliminates the ripples to prevent unstable operation.

## (2) Régulateur

Le régulateur a deux fonctions:

1. Lorsque la tension de la batterie est faible, il enclenche le redresseur au silicium commandé (SCR) afin de constituer un circuit de charge en direction de la batterie.
2. Pendant la charge, il coupe le témoin de charge.

### ■ Lorsque la clef est tournée sur ON

Lorsque la clef est tournée sur ON le courant (→) s'écoule de la base du transistor T5 vers la résistance R4, la résistance R3 et vers la masse, rendant le transistor T5 conducteur. Ainsi, le courant (→) s'écoule vers le témoin de charge qui s'allume.

- (1) Bleu clair (vers l'alternateur)
- (2) Bleu clair (vers l'alternateur)
- (3) Jaune (vers la borne courant alternatif du contacteur à clef)
- (4) Vert (vers le témoin de charge)
- (5) Rouge (vers la borne No 30 du contacteur à clef)
- (6) Noir (vers la masse)
- (7) Alternateur
- (8) Fusible
- (9) Témoin de charge
- (10) Contacteur à clef

### ■ Lorsque le moteur démarre

Lorsque le moteur démarre et qu'une tension produite dans l'alternateur engendre un courant dans le sens ↑ (A), le courant s'écoule de la manière suivante:

Diode D1 → Contacteur à clef → Transistor T4 → Résistance R2 → Diode D4 → Alternateur.

Pour un courant dans le sens ↓ (B), le courant s'écoule ainsi:

Diode D2 → Contacteur à clef → Transistor T4 → Résistance R2 → Diode D3 → Alternateur.

Dans les deux cas, le courant passe à la base du transistor T4 et le rend conducteur.

Lorsque le transistor T4 est conducteur, la différence de potentiel entre l'émetteur et la base du transistor T5 devient nulle, coupant T5. Le voyant de charge s'éteint lui aussi. Un condensateur C1 est chargé de stabiliser la tension aux bornes de la résistance R3. Sans ce condensateur, le transistor T4 est continuellement enclenché et déclenché avec une faible tension dans l'alternateur et le témoin de charge s'allume légèrement. Le condensateur supprime cette variation et stabilise le fonctionnement.

## (2) Reguler

Ein Regler hat zwei Funktionen:

1. Bei niedriger Batteriespannung schaltet er den SCR ein, um eine Ladeschaltung zur Batterie herzustellen.
2. Während der Ladung schaltet er die Ladelampe aus.

### ■ Kippschalter in Position EIN

Wenn der Kippschalter eingeschaltet ist, fließt Strom (→) von der Basis des Transistors T5 zum Widerstand R4, Widerstand R3 und zur Erdung, wobei der Transistor T5 eingeschaltet wird. Dann fließt der Strom (→) zur Ladelampe, die aufleuchtet.

- (1) Hellblau (Zur Lichtmaschine)
- (2) Hellblau (Zur Lichtmaschine)
- (3) Gelb (Zur Wechselstrom-Klemme Kippschalter)
- (4) Grün (Zur Ladelampe)
- (5) Rot (Zur Klemme Nr.30 Kippschalter)
- (6) Schwarz (Zur Erdleitung)
- (7) Wechselstromdynamo
- (8) Sicherung
- (9) Ladelampe
- (10) Kippschalter

### ■ Anlassen des Motors

Wenn der Motor anläuft und durch eine in der Wechselstromdynamo erzeugte Spannung ein Strom in Richtung ↑ (A) bewirkt wird, fließt der Strom wie folgt:

Diode D1 → Kippschalter → Transistor T4 → Widerstand R2 → Diode D4 → Wechselstromdynamo.

Bei einem Stromfluß in Richtung ↓ (B) ist folgender Stromfluß gegeben:

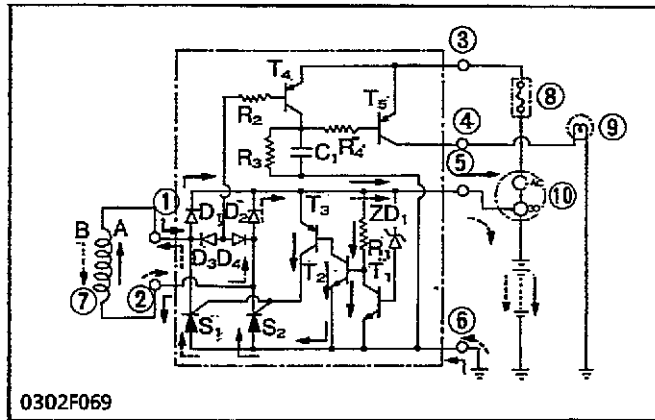
Diode D2 → Kippschalter → Transistor T4 → Widerstand R2 → Diode D3 → Wechselstromdynamo.

In beiden Fällen besteht ein Stromfluß zur Basis des Transistors T4, wobei T4 eingeschaltet wird.

Bei Einschaltung des Transistors T4, nimmt die Potentialdifferenz zwischen dem Emitter und der Transistorbasis T5 einen Wert = 0 an und T5 wird ausgeschaltet. Die Ladelampe erlischt.

Ein Kondensator C1 sorgt für eine konstante Spannung durch den Widerstand R3. Ohne diesen Kondensator schaltet der Transistor T4 bei niedriger Spannung in der Wechselstromdynamo ein und aus und die Ladelampe leuchtet schwach auf. Dieser Kondensator vermeidet Kräuselpennungen und sorgt für einen beständigen Betrieb.

■ During charging



0302F069

When the battery voltage is below the specified value ( $14.5 \pm 0.5$  V) of zener diode ZD1, a current does not flow to zener diode ZD1. Base current of transistor T1 does not flow, and transistor T1 is off. Current flows from resistor R1 to the base of transistor T2 to turn it on.

When transistor T2 is on, transistor T3 is forward biased and turns on, allowing a gate current of SCR's S1 and S2 to turn them on.

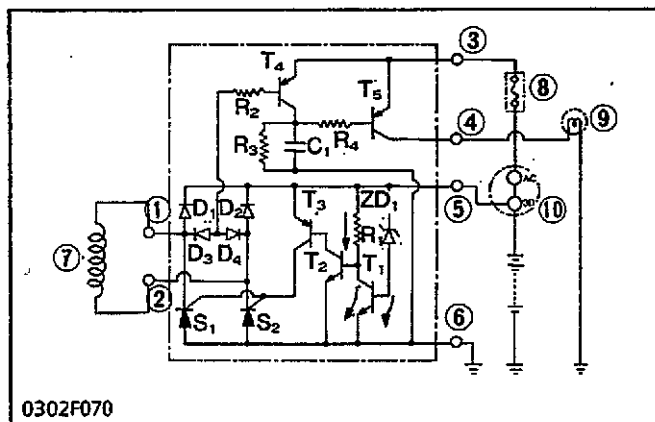
Therefore, when a generated voltage in alternator causes a current in  $\uparrow$  (A) direction, the changing current flows as follows:

Diode D1  $\rightarrow$  Key Switch (Terminal No.30)  $\rightarrow$  Battery  $\rightarrow$  Ground  $\rightarrow$  SCR S2  $\rightarrow$  Alternator.

With a current in  $\downarrow$  (B) direction, the charging current flows as follows:

Diode D2  $\rightarrow$  Key Switch (Terminal No.30)  $\rightarrow$  Battery  $\rightarrow$  Ground  $\rightarrow$  SCR S1  $\rightarrow$  Alternator.

■ Prevention of overcharging



0302F070

When the battery voltage rises over the specified value of zener diode ZD1, a current flows to the base of transistor T1 through ZD1, turning transistor T1 on. This causes a potential difference between the base and emitter of transistor T2 to become zero, turning off transistor T2 simultaneously.

Therefore, the current is no longer supplied to the gates of SCR's S1 and S2, turning off SCRs and the charging circuit is cut off.

### ■ Pendant la charge

Lorsque la tension de la batterie est inférieure à la valeur spécifiée ( $14.5 \pm 0.5$  V) de la diode zéner ZD1, il n'y a pas de courant allant de la diode ZD1. Le courant de base du transistor T1 ne s'écoule pas et le transistor T1 est isolant. Le courant s'écoule de la résistance R1 vers la base du transistor T2 pour le rendre conducteur.

Lorsque le transistor T2 est conducteur, le transistor T3 est polarisé et rendu conducteur, permettant à un courant de commande aux SCR S1 et S2 qui les enclenche.

En conséquence, lorsqu'une tension produite dans l'alternateur engendre un courant dans le sens  $\uparrow$  (A), le courant de charge s'écoule comme suit:

Diode D1  $\rightarrow$  Contacteur à clef (borne N° 30)  $\rightarrow$  Batterie  $\rightarrow$  Masse  $\rightarrow$  SCR S2  $\rightarrow$  Alternateur.

Avec un courant dans le sens  $\downarrow$  (B), le courant de charge s'écoule comme suit:

Diode D2  $\rightarrow$  Contacteur à clef (borne N° 30)  $\rightarrow$  Batterie  $\rightarrow$  Masse  $\rightarrow$  SCR S1  $\rightarrow$  Alternateur.

### ■ Protection contre les surcharges

Lorsque la tension de la batterie dépasse la valeur spécifiée de la diode zéner ZD1, un courant passe vers la base du transistor T1, traverse ZD1 et enclenche le transistor T1. De la sorte, la différence de potentiel entre la base et l'émetteur du transistor T2 devient égale à zéro, ce qui coupe simultanément le transistor T2.

Ainsi, le courant est coupé aux portes des SCR S1 et S2, ce qui déclenche ces SCR et coupe le circuit de charge.

### ■ Während der Ladung

Wenn die Batteriespannung unter dem vorgeschriebenen Wert ( $14.5 \pm 0.5$  V) der Zenerdiode ZD1 liegt, fließt kein Strom zu der Zenerdiode ZD1. Es liegt kein Basisstromfluß des Transistors T1 vor und der Transistor T1 ist ausgeschaltet. Der Strom fließt vom Widerstand R1 zur Basis des Transistor T2 und schaltet diesen ein.

Wenn der Transistor T2 eingeschaltet ist, wird der Transistor T3 vorgespannt und eingeschaltet, wobei ein Torstrom des SCR S1 und S2 für die Einschaltung sorgt.

Wenn demzufolge durch eine Spannung in der Wechselstromdynamo ein Strom in Richtung  $\uparrow$  (A) erzeugt wird, fließt der Ladestrom wie folgt:

Diode D1  $\rightarrow$  Kippschalter (Klemme Nr.30)  $\rightarrow$  Batterie  $\rightarrow$  Erde  $\rightarrow$  SCR S2  $\rightarrow$  Wechselstromdynamo.

Bei einem Stromfluß in Richtung  $\downarrow$  (B) fließt der Ladestrom wie folgt:

Diode D2  $\rightarrow$  Kippschalter (Klemme Nr.30)  $\rightarrow$  Batterie  $\rightarrow$  Erde  $\rightarrow$  SCR S1  $\rightarrow$  Wechselstromdynamo.

### ■ Überlade-Sicherung

Wenn die Batteriespannung über den vorgeschriebenen Wert der Zenerdiode ZD1 ansteigt, fließt Strom zur Basis des Transistors T1 durch ZD1 und schaltet den Transistor T1 ein. Hierdurch wird eine Potentialdifferenz zwischen der Basis und dem Emitter des Transistors T2 mit einem Wert = 0 bewirkt und der Transistor T2 gleichzeitig ausgeschaltet.

Es wird sodann kein Strom mehr zu den Toren der SCR S1 und S2 geführt. Die SCR werden ausgeschaltet und der Ladekreislauf unterbrochen.

---

**S.**

**DISASSEMBLING AND SERVICING  
DEMONTAGE ET ENTRETIEN  
AUSBAU UND WARTUNG**

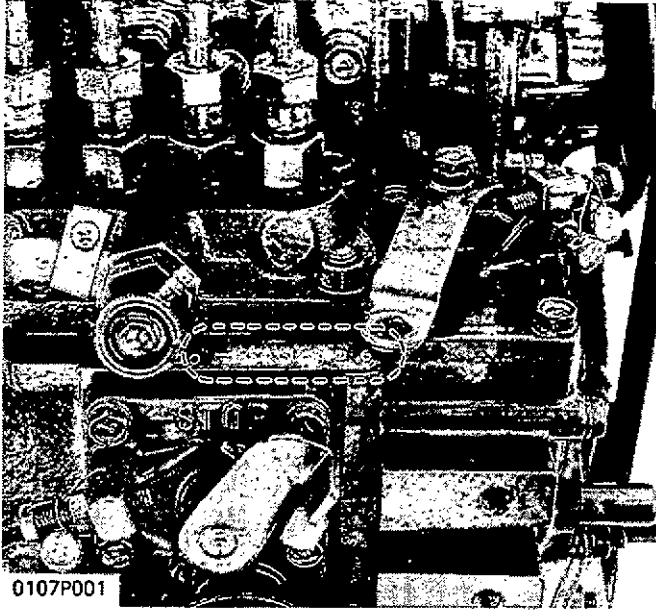
---





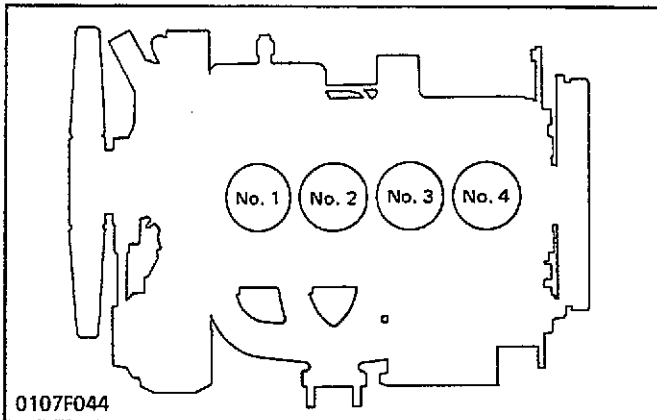
## [1] ENGINE IDENTIFICATION

### Model Name and Engine Serial Number



When contacting the manufacturer, always specify your engine model name and serial number.

### Cylinder Number



The cylinder numbers of 70 mm STROKE SERIES diesel engine are designated as shown in the figure.

The sequence of cylinder numbers is given as No.1, No.2, No.3 and No.4 starting from the gear case side.

 **GENERALITES****[1] IDENTIFICATION DU MOTEUR****Modèle et numéro de fabrication du moteur**

Si l'on consulte le constructeur, ne pas manquer d'indiquer le modèle et le numéro de fabrication du moteur.

 **ALLGEMEINES****[1] MOTOR KENNZEICHNUNG****Modellbezeichnung und Motor-Seriennummer**

Wenn Sie sich mit dem Hersteller in Verbindung setzen, geben Sie stets die Modellbezeichnung und Seriennummer Ihres Motors an.

**NUMEROS DES CYLINDRES**

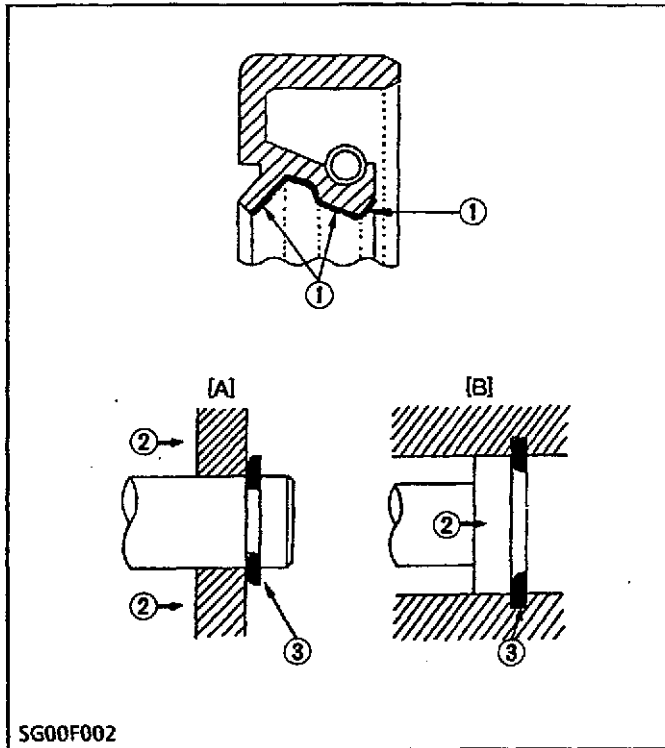
Les numéros des cylindres des moteurs diesel moteur de série à 70 mm de course sont indiqués comme le montre la figure. L'ordre des numéros des cylindres est le suivant: N°1, N°2, N°3, N°4, en commençant du côté du carter de distribution.

**ZYLINDERZAHL**

Die Zylinderzahl der Dieselmotoren Serienmotor mit 70 mm Hub sind wie in der Abbildung gezeigt.

Die Reihenfolge der Zylinderzahl ist mit Nr.1, Nr.2, Nr.3 und Nr.4 von der Getriebegehäuseseite aus angegeben.



**[2] GENERAL PRECAUTION**

- During disassembly, carefully arrange removed parts in a clean area to prevent confusion later. Screws, bolts and nuts should be replaced in their original position to prevent reassembly errors.
- When special tools are required, use Kubota's genuine special tools. Special tools which are not frequently used should be made according to the drawings provided.
- Before disassembling or servicing live wires, make sure to always disconnect the grounding cable from the battery first.
- Remove oil and dirt from parts before measuring.
- Use only Kubota genuine parts for parts replacement to maintain engine performance and to ensure safety.
- Gaskets and O-rings must be replaced during reassembly. Apply grease to new O-rings or oil seals before assembling.
- When reassembling external or internal snap rings, position them so that the sharp edge faces against the direction from which force is applied.
- Be sure to perform run-in the serviced or reassembled engine. Do not attempt to give heavy load at once, or serious damage may result to the engine.

**⚠ CAUTION**

- Certain components used in this engine (cylinder head-gasket, exhaust gasket, etc.) contain asbestos. Handle with care according to safety regulation.

- (1) Grease  
 (2) Force  
 (3) Place the Sharp Edge against the Direction of Force

- [A] External Snap Ring  
 [B] Internal Snap Ring

## [2] PRECAUTIONS GENERALITES

- Pendant le démontage, ranger avec soin les pièces démontées dans un endroit propre, pour éviter toute confusion ultérieure. Les vis, les boulons et les écrous doivent être replacés dans leur position initiale pour éviter les erreurs au remontage.
- Utiliser des outils spéciaux Kubota d'origine. Les outils spéciaux peu utilisés peuvent être fabriqués d'après les plans fournis.
- Avant le démontage et avant tout travail sur des faisceaux sous-tension, s'assurer que l'on a déconnecté d'abord le câble de masse de la batterie.
- Avant de prendre une mesure, enlever l'huile et la poussière pouvant se trouver sur les pièces.
- Pour les pièces de rechange, utiliser toujours les pièces Kubota d'origine, afin de conserver le rendement du moteur et assurer une sécurité totale de fonctionnement.
- Les joints plats et les joints toriques doivent être changés lors du remontage. Mettre de la graisse sur les joints toriques ou sur les joints d'huile neufs avant de les remonter.
- Pour remonter des circlips externe ou interne, les placer de manière que l'arête vive soit dirigée dans le sens d'où provient la force appliquée.
- Pour être sûr de réussir la mise en marche du moteur révisé ou remonté, évitez d'appliquer directement une lourde charge, car sinon des dégâts au moteur pourraient en résulter.

### ATTENTION

- Certains composants utilisés dans ce moteur (joint de culasse, joint d'échappement, etc.) contiennent de l'amiante. Manipuler avec soin selon la norme de sécurité.

- (1) Graisse  
 (2) Force  
 (3) Placer le côté à l'opposé de la direction d'où la force est appliquée

- [A] Circlip externe  
 [B] Circlip interne

## [2] ALLGEMEINE VORKEHRUNGEN

- Beim Ausbau sind die entfernten Teile ordentlich abzulegen, um eine spätere Verwechslung zu vermeiden. Schrauben, Bolzen und Muttern sollten in ihrer ursprünglichen Position ausgetauscht werden, um Irrtümern beim Wiederausammenbau auszuschließen.
- Wenn Spezialwerkzeuge erforderlich sind, sollten Originalwerkzeuge von KUBOTA benutzt werden. Nicht häufig benutzte Spezialwerkzeuge sollten anhand der vorliegenden Zeichnungen hergestellt werden.
- Vor dem Ausbau oder vor einer Reparatur von stromführenden Drähten ist darauf zu achten, daß das Erdkabel zuerst von der Batterie getrennt wird.
- Vor der Furchführung von Messungen ist sämtliches Öl und Schmutz von den Teilen zu entfernen.
- Für den Austausch von Teilen sind nur Originalteile von KUBOTA zu verwenden, um eine einwandfreie Leistung des Motors zu gewährleisten.
- Dichtungen und O-ringe sind beim Wiederausammenbau auszutauschen. Vor dem Einbau sind die neuen O-ringe oder Wellendichtungen mit Fett einzureiben.
- Beim Wiedereinbau äußere oder innere Sicherungsring ist darauf zu achten, daß diese derart eingesetzt werden, daß die scharfe Kante in die Richtung zeigt, aus welcher die Kraft aufgetragen wird.
- Die gewartete oder wiederzusammengesetzte Maschine muß unbedingt zunächst eingefahren werden. Die Maschine darf in keinem Fall von Anfang an voll belastet werden. Beachten Sie dies unbedingt, da die Maschine sonst schweren Schaden nehmen könnte.

### ACHTUNG

- Engine am Motor verwendete Dichtungen enthalten Asbest (Zylinderkopfdichtung, Auspuffdichtung usw.). Bitte beachten Sie bei der Reparatur die einschlägigen Sicherheitsvorschriften.

- (1) Schmierung  
 (2) Kraft  
 (3) Die scharfe Kante der Belastungskraft entgegen einsetzen

- [A] Äußere-Sicherungsring  
 [B] Innere-Sicherungsring

### [3] TIGHTENING TORQUES

Screws, bolts and nuts must be tightened to the specified torque using a torque wrench, Several screws, bolts and nuts such as those used on the cylinder head must be tightened in proper sequence and at the proper torque.

#### (1) Tightening torques for special use screws, bolts and nuts

##### ■ NOTE

- For "\*" marked screws, bolts and nuts on the table, apply engine oil to their threads and seats before tightening.

Item	Size x Pitch	N-m	kgf-m	ft-lbs
* Head cover cap nuts	M7 x 1.0	6.9 to 8.8	0.7 to 0.9	5.1 to 6.5
* Head screws and nuts (Z500-B only)	M8 x 1.25	39.2 to 44.1	4.0 to 4.5	28.9 to 32.5
(Others)	M9 x 1.25	64.7 to 69.6	6.6 to 7.1	47.7 to 51.4
* Bearing case screws 1				
(Flange bolts)	M7 x 1.0	26.5 to 30.4	2.7 to 3.1	19.5 to 22.4
(Non-flange bolt)	M7 x 1.0	19.6 to 23.5	2.0 to 2.4	14.5 to 17.4
* Bearing case screws 2	M8 x 1.25	29.4 to 34.3	3.0 to 3.5	21.7 to 25.3
* Flywheel screws				
(Flange bolts)	M10 x 1.25	58.8 to 63.7	6.0 to 6.5	43.4 to 47.0
(Non-flange bolts)	M10 x 1.25	53.9 to 58.8	5.5 to 6.0	39.8 to 43.4
* Connecting rod screws	M7 x 0.75	26.5 to 30.4	2.7 to 3.1	19.5 to 22.4
* Rocker arm bracket nuts	M7 x 1.0	16.7 to 20.6	1.7 to 2.1	12.3 to 5.2
* Idle gear shaft screws	M6 x 1.0	9.8 to 11.3	1.00 to 1.15	7.2 to 8.3
Glow plugs	M10 x 1.25	19.6 to 24.5	2.0 to 2.5	14.5 to 18.1
Drain plug	M12 x 1.25	39.2 to 49.0	4.0 to 5.0	28.9 to 36.2
Nozzle holder assembly	M24 x 2.0	29.4 to 49.0	3.0 to 5.0	21.7 to 36.2
Oil switch taper screw	PT 1/8	14.7 to 19.6	1.5 to 2.0	10.8 to 14.5
Fuel limit lock nut	M12 x 1.0	27.5 to 34.3	2.8 to 3.5	20.3 to 25.3
Fuel limit cap nut	M12 x 1.0	24.5 to 29.4	2.5 to 3.0	18.1 to 21.7
Injection pipe retaining nuts	M12 x 1.5	14.7 to 24.5	1.5 to 2.5	10.8 to 8.1
Nozzle holder and nozzle retaining nut		58.8 to 78.5	6.0 to 8.0	43.4 to 57.9
Nozzle holder mounting screw	M24 x 2.0	39.2 to 49.0	4.0 to 5.0	28.9 to 36.2
* Crankshaft nut	M20 x 1.5	137.3 to 156.9	14.0 to 16.0	101.3 to 115.7

#### (2) Tightening torques for general use screws, bolts and nuts

When the tightening torques are not specified, tighten the screws, bolts and nuts according to the table below.

Grade	Standard Screw and Bolt			Special Screw and Bolt		
	N-m	kgf-m	ft-lbs	N-m	kgf-m	ft-lbs
M 6	7.9 to 9.3	0.80 to 0.95	5.8 to 6.9	9.8 to 11.3	1.00 to 1.15	7.23 to 8.32
M 8	17.7 to 20.6	1.8 to 2.1	13.0 to 15.2	23.5 to 27.5	2.4 to 2.8	17.4 to 20.3
M10	39.2 to 45.1	4.0 to 4.6	28.9 to 33.3	48.1 to 55.9	4.9 to 5.7	35.4 to 41.2
M12	62.8 to 72.6	6.4 to 7.4	46.3 to 53.5	77.5 to 90.2	7.9 to 9.2	57.1 to 66.5

Screw and bolt material grades are shown by numbers punched on the screw and bolt heads. Prior to tightening, be sure to check out the numbers as shown below.

Punched Number	Screw and Bolt Material Grade
None or 4	Standard Screw and Bolt S41, S20C
7	Special Screw and Bolt S43C, S48C (Refined)

### [3] COUPLES DE SERRAGE

Les vis, les boulons et les écrous doivent être serrés au couple spécifié à l'aide d'une clef dynamométrique. Plusieurs des vis, des boulons et des écrous, comme ceux de la culasse, doivent être serrés dans un ordre déterminé et à un couple spécifié.

#### (1) Couples de serrage pour vis, boulons et écrous d'une utilisation particulière

##### ■ NOTA

- Pour les vis, les boulons et les écrous marqués "\*" dans le tableau, enduire d'huile moteur le filetage et les sièges avant d'effectuer le serrage.

Elément	Dimension x pas	N·m	kgf·m
* Ecrous de couvercle de culasse	M7 x 1,0	6,9 à 8,8	0,7 à 0,9
* Vis et écrous de culasse (Z500-B seulement) (de plus)	M8 x 1.25 M9 x 1.25	39,2 à 44,1 64,7 à 69,6	4,0 à 4,5 6,6 à 7,1
* Vis 1 de fixation de palier (Boulon à collerette) (Boulen sans collerette)	M7 x 1,0 M7 x 1,0	26,5 à 30,4 19,6 à 23,5	2,7 à 3,1 2,0 à 2,4
* Vis 2 de fixation de palier	M8 x 1,25	29,4 à 34,3	3,0 à 3,5
* Vis de volant (Boulon à collerette) (Boulen sans collerette)	M10 x 1,25 M10 x 1,25	58,8 à 63,7 53,9 à 58,8	6,0 à 6,5 5,5 à 6,0
* Vis de bielle	M7 x 0,75	26,5 à 30,4	2,7 à 3,1
* Ecrous de support de culbuteur	M7 x 1,0	16,7 à 20,6	1,7 à 2,1
* Vis l'axe du pignon	M6 x 1,0	9,8 à 11,3	1,00 à 1,15
Bougies de préchauffage	M10 x 1,25	19,6 à 24,5	2,0 à 2,5
Bouchon de vidange	M12 x 1,25	39,2 à 49,0	4,0 à 5,0
Porte-injecteur	M24 x 2,0	29,4 à 49,0	3,0 à 5,0
Vis conique de manoccontact de pression d'huile	PT 1/8	14,7 à 19,6	1,5 à 2,0
Contre-écrou limiteur d'alimentation	M12 x 1,0	27,5 à 34,3	2,8 à 3,5
Ecrou limiteur d'alimentation	M12 x 1,0	24,5 à 29,4	2,5 à 3,0
Ecrous de fixation de conduit d'injection	M12 x 1,5	14,7 à 24,5	1,5 à 2
Porteinjecteur et et ecrou de retenue d'injecteur		58,8 à 78,5	6,0 à 8,0
Vis de montage de porte-injecteur	M24 x 2,0	39,2 à 49,0	4,0 à 5,0
* Ecrou de vilebrequin	M20 x 1,5	137,3 à 156,9	14,0 à 16,0

#### (2) Couples de serrage pour vis, boulons et écrous d'utilisation générale

Lorsque les couples de serrage ne sont pas spécifiés, serrer les vis, les boulons et les écrous aux valeurs du tableau ci-dessous.

Diamètre Nominal	Grade Unité	Vis et boulon standard		Vis et boulon spéciale	
		N·m	kgf·m	N·m	kgf·m
M 6	SGD0F004	7,9 à 9,3	0,80 à 0,95	9,8 à 11,3	1,00 à 1,15
M 8		17,7 à 20,6	1,8 à 2,1	23,5 à 27,5	2,4 à 2,8
M10		39,2 à 45,1	4,0 à 4,6	48,1 à 55,9	4,9 à 5,7
M12		62,8 à 72,6	6,4 à 7,4	77,5 à 90,2	7,9 à 9,2

La qualité du matériau des vis est indiquée par des nombres gravés sur les têtes des vis et des boulons. Avant le serrage, bien vérifier les nombres indiqués ci-dessous.

Numéro gravé	Qualité du matériau de la vis et de la boulon
Aucun ou 4	Vis et boulon spéciale S541, S20C
7	Vis et boulon spéciale S43C, S48C (raffiné)

### [3] ANZUGSDREHMOMENTE

Die Schrauben, Bolzen und Muttern müssen mit dem vorgeschriebenen Anzugsdrehmoment unter Verwendung eines Drehmomentschlüssels angezogen werden. Verschiedene Schrauben, Bolzen und Muttern, wie sie beispielsweise am Zylinderkopf benutzt werden, sind in der richtigen Reihenfolge, sowie mit dem vorgeschriebenen Drehmoment anzuziehen.

#### (1) Anzugsdrehmomente für spezielle Schrauben, Bolzen und Muttern

**■ ANMERKUNG**

- Die Gewinde und Sitze der in der Tabelle mit "\*" gekennzeichneten Schrauben, Bolzen und Muttern sind vor dem Anziehen mit Motoröl zu beschichten.

Teil	Größe x Steigung	N·m	kgf·m
* Hutmutter der Zylinderkopfdeckel	M7 x 1,0	6,9 bis 8,8	0,7 bis 0,9
* Zylinderkopfschrauben und muttern (Z500-B nur beim) (sonst)	M8 x 1,25 M9 x 1,25	39,2 bis 44,1 64,7 bis 69,6	4,0 bis 4,5 6,6 bis 7,1
* Lagergehäuseschrauben 1 (Flansch-Schraube) (Schraube ohne Flansch)	M7 x 1,0 M7 x 1,0	26,5 bis 30,4 19,6 bis 23,5	2,7 bis 3,1 2,0 bis 2,4
* Lagergehäuseschrauben 2	M8 x 1,25	29,4 bis 34,3	3,0 bis 3,5
* Schwungradschrauben (Flansch-Schraube)	M10 x 1,25	58,8 bis 63,7	6,0 bis 6,5
(Schraube ohne Flansch)	M10 x 1,25	53,9 bis 58,8	5,5 bis 6,0
* Pleuelstangenschrauben	M7 x 0,75	26,5 bis 30,4	2,7 bis 3,1
* Kipphebelbockmuttern	M7 x 1,0	16,7 bis 20,6	1,7 bis 2,1
* Leerlaufgetriebeachsschrauben	M6 x 1,0	9,8 bis 11,3	1,00 bis 1,15
Glühkerzen	M10 x 1,25	19,6 bis 24,5	2,0 bis 2,5
Anlaßschraube	M12 x 1,25	39,2 bis 49,0	4,0 bis 5,0
Düsenhalter	M24 x 2,0	29,4 bis 49,0	3,0 bis 5,0
Ölschalterkegelschraube	PT 1/8	14,7 bis 19,6	1,5 bis 2,0
Kraftstoffbegrenzer Sicherungsmutter	M12 x 1,0	27,5 bis 34,3	2,8 bis 3,5
Kraftstoffbegrenzer Hutmutter	M12 x 1,0	24,5 bis 29,4	2,5 bis 3,0
Sicherungsmuttern Einspritzleitung	M12 x 1,5	14,7 bis 24,5	1,5 bis 2,5
Düsenhalter und Düsen-Sicherungsmutter		58,8 bis 78,5	6,0 bis 8,0
Schraube der Einspritzdüsenhalterung	M24 x 2,0	39,2 bis 49,0	4,0 bis 5,0
* Kurbelwellenmutter	M20 x 1,5	137,3 bis 156,9	14,0 bis 16,0

#### (2) Anzugsdrehmomente für allgemeine Schrauben, Bolzen und Muttern

Wenn die Anzugsdrehmomente nicht angegeben sind, so werden die Schrauben, Bolzen und Muttern gemäß der nachstehenden Tabelle angezogen:

Klassifikation Nezendurchmesser Einheit	Standard-Schraube und -Bolzen SG00F004		Spezial-Schraube und -Bolzen	
	N·m	kgf·m	N·m	kgf·m
M 6	7,9 bis 9,3	0,80 bis 0,95	9,8 bis 11,3	1,00 bis 1,15
M 8	17,7 bis 20,6	1,8 bis 2,1	23,5 bis 27,5	2,4 bis 2,8
M10	39,2 bis 45,1	4,0 bis 4,6	48,1 bis 55,9	4,9 bis 5,7
M12	62,8 bis 72,6	6,4 bis 7,4	77,5 bis 90,2	7,9 bis 9,2

Das Material die Schraube und der Bolzen ist durch auf dem Schraubekopf und dem Bolzenkopf eingestanzte Nummern angegeben. Vor dem Anziehen sind die Nummern, wie nachstehend gezeigt, zu prüfen.

Eingestanzte Nummern	Schraube und Bolzenmaterial
Keine oder 4	Standardschraube und -bolzen SS41, S20C
7	Spezialschraube und -bolzen S43C, S48C (vergütet)

**[4] TROUBLESHOOTING**

Symptom	Probable Cause	Solution	Reference Page
Engine does not start	<ul style="list-style-type: none"> <li>● No fuel</li> <li>● Air in the fuel system</li> <li>● Water in the fuel system</li> <li>● Fuel pipe clogged</li> <li>● Fuel filter clogged</li> <li>● Excessively high viscosity of fuel or engine oil at low temperature</li> <li>● Fuel with low cetane number</li> <li>● Fuel leak due to loose injection pipe retaining nut</li> <li>● Incorrect injection timing</li> <li>● Fuel cam shaft worn</li> <li>● Injection nozzle clogged</li> <li>● Injection pump malfunctioning</li> <li>● Seizure of crankshaft, camshaft, piston, cylinder liner or bearing</li> <li>● Compression leak from cylinder</li> <li>● Improper valve timing</li> <li>● Piston ring and liner worn</li> <li>● Excessive valve clearance</li> </ul>	Replenish fuel Vent air Change fuel and repair or replace fuel system Clean Clean or change Use the specified fuel or engine oil Use the specified fuel Tighten nut  Adjust Replace Clean Repair or replace Repair or replace  Replace head gasket, tighten cylinder head bolt, glow plug and nozzle holder Correct or replace timing gear Replace Adjust	S-37  S-41 S-39   S-113  S-55  S-103 S-43
Starter does not run	<ul style="list-style-type: none"> <li>● Battery discharged</li> <li>● Starter malfunctioning</li> <li>● Key switch malfunctioning</li> <li>● Wiring disconnected</li> </ul>	Charge Repair or replace Repair or replace Connect	
Engine revolution is not smooth	<ul style="list-style-type: none"> <li>● Fuel filter clogged or dirty</li> <li>● Air cleaner clogged</li> <li>● Fuel leak due to loose injection pipe retaining nut</li> <li>● Injection pump malfunctioning</li> <li>● Incorrect nozzle opening pressure</li> <li>● Injection nozzle stuck or clogged</li> <li>● Fuel over flow pipe clogged</li> <li>● Governor malfunctioning</li> </ul>	Clean or change Clean or change Tighten nut  Repair or replace Adjust Repair or replace Clean Repair	S-37 S-41  S-115
Either white or blue exhaust gas is observed	<ul style="list-style-type: none"> <li>● Excessive engine oil</li> <li>● Piston ring and liner worn or stuck</li> <li>● Incorrect injection timing</li> <li>● Deficient compression</li> </ul>	Reduce to the specified level Repair or replace Adjust Adjust top clearance	S-91 S-113 S-55,
Either black or dark gray exhaust gas is observed	<ul style="list-style-type: none"> <li>● Overload</li> <li>● Low grade fuel used</li> <li>● Fuel filter clogged</li> <li>● Air cleaner clogged</li> </ul>	Lessen the load Use the specified fuel Clean or change Clean or change	
Deficient output	<ul style="list-style-type: none"> <li>● Incorrect injection timing</li> <li>● Engine's moving parts seem to be seizing</li> <li>● Uneven fuel injection</li> <li>● Deficient nozzle injection</li> <li>● Compression leak</li> </ul>	Adjust Repair or replace  Repair or replace the injection pump Repair or replace the nozzle Replace head gasket, tighten cylinder head bolt, glow plug and nozzle holder	S-113  S-55

Symptom	Probable Cause	Solution	Reference Page
Excessive lubricant oil consumption	<ul style="list-style-type: none"> <li>● Piston ring's gap facing the same direction</li> <li>● Oil ring worn or stuck</li> <li>● Piston ring groove worn</li> <li>● Valve stem and guide worn</li> <li>● Crankshaft bearing, and crank pin bearing worn</li> </ul>	Shift ring gap direction  Replace Replace the piston Replace Replace	S-75  S-93  S-101
Fuel mixed into lubricant oil	<ul style="list-style-type: none"> <li>● Injection pump's plunger worn</li> <li>● Injection pump broken</li> </ul>	Replace pump element or pump Replace	S-113
Water mixed into lubricant oil	<ul style="list-style-type: none"> <li>● Head gasket defective</li> <li>● Cylinder block or cylinder head flawed</li> </ul>	Replace Replace	
Low oil pressure	<ul style="list-style-type: none"> <li>● Engine oil insufficient</li> <li>● Oil strainer clogged</li> <li>● Relief valve stuck with dirt</li> <li>● Relief valve spring weaken or broken</li> <li>● Excessive oil clearance of crankshaft bearing</li> <li>● Excessive oil clearance of crank pin bearing</li> <li>● Excessive oil clearance of rocker arm bearing</li> <li>● Oil passage clogged</li> <li>● Different type of oil</li> <li>● Oil pump defective</li> </ul>	Replenish Clean Clean Replace  Replace  Replace  Clean Use the specified type of oil Repair or replace	S-71        S-39
High oil pressure	<ul style="list-style-type: none"> <li>● Different type of oil</li> <li>● Relief valve defective</li> </ul>	Use the specified type of oil  Replace	S-39
Engine overheated	<ul style="list-style-type: none"> <li>● Engine oil insufficient</li> <li>● Fan belt broken or elongated</li> <li>● Cooling water insufficient</li> <li>● Radiator net and radiator fin clogged with dust</li> <li>● Inside of radiator corroded</li> <li>● Cooling water flow route corroded</li> <li>● Radiator cap defective</li> <li>● Overload running</li> <li>● Head gasket defective</li> <li>● Incorrect injection timing</li> <li>● Unsuitable fuel used</li> </ul>	Replenish Change or adjust Replenish Clean  Clean or replace Clean or replace Replace Loosen the load Replace Adjust Use the specified fuel	S-39
Battery quickly discharge	<ul style="list-style-type: none"> <li>● Battery electrolyte insufficient</li> <li>● Fan belt slips</li> <li>● Wiring disconnected</li> <li>● Rectifier defective</li> <li>● Alternator defective</li> <li>● Battery defective</li> </ul>	Replenish distilled water and charge Adjust belt tension or change Connect Replace Replace Change	

**[4] DEPANNAGE**

Anomalie	Cause possible	Solution	Page de ref.
Le moteur ne démarre pas	<ul style="list-style-type: none"> <li>● Pas de carburant</li> <li>● Air dans le circuit d'alimentation</li> <li>● Eau dans le circuit d'alimentation</li> </ul>	Refaire le plein Purger l'air Changer le carburant et réparer ou remplacer le système d'alimentation Nettoyer	S-38
	<ul style="list-style-type: none"> <li>● Conduit d'alimentation colmaté</li> <li>● Filtre à carburant colmaté</li> <li>● Trop forte viscosité du carburant ou de l'huile moteur à basse température</li> <li>● Carburant à faible indice de cétane</li> </ul>	Nettoyer ou changer Utiliser le carburant ou l'huile moteur spécifiés Utiliser le carburant spécifié Serrer l'écrou	S-42 S-40
Le démarreur ne marche pas	<ul style="list-style-type: none"> <li>● Fuite de carburant due au mauvais serrage d'un écrou de fixation du conduit d'injection</li> <li>● Mauvais calage de l'injection</li> <li>● Usure de l'arbre à cames</li> <li>● Injecteur colmaté</li> <li>● Mauvais fonctionnement de la pompe d'injection</li> <li>● Grippage du vilebrequin, de l'arbre à cames, de piston, de chemise de cylindres ou de paliers</li> <li>● Manque de compression dans le cylindre</li> </ul>	Régler Remplacer Nettoyer Réparer ou remplacer  Réparer ou remplacer	S-114
	<ul style="list-style-type: none"> <li>● Mauvais calage des distribution</li> <li>● Usure de segment et de chemise</li> <li>● Excès de jeu des distribution</li> </ul>	Remplacer le joint de culasse, serrer la vis de culasse, remplacer la bougie de préchauffage et le porte-injecteur Rectifier ou remplacer le pignon de distribution Remplacer Régler	S-56  S-104 S-44
Le démarreur ne marche pas	<ul style="list-style-type: none"> <li>● Batterie déchargée</li> <li>● Mauvais fonctionnement du démarreur</li> </ul>	Charger Réparer ou remplacer	
	<ul style="list-style-type: none"> <li>● Mauvais fonctionnement du interrupteur à clé</li> <li>● Câblage débranché</li> </ul>	Réparer ou remplacer  Brancher	



Anomalie	Cause possible	Solution	Page de ref.
Le moteur ne tourne pas régulièrement	<ul style="list-style-type: none"> <li>● Filtre à carburant colmaté ou sale</li> <li>● Filtre à air colmaté</li> <li>● Fuite de carburant due au mauvais serrage d'un écrou de fixation du conduit d'injecteur</li> <li>● Mauvais fonctionnement de la pompe d'injection</li> <li>● Mauvais pression d'ouverture d'injecteur</li> <li>● Injecteur colle ou colmaté</li> <li>● Tuyau de trop-plain de carburant</li> <li>● Mauvais fonctionnement du régulateur</li> </ul>	<p>Nettoyer ou changer Nettoyer ou changer Resserrer l'écrou</p> <p>Réparer ou remplacer</p> <p>Régler</p> <p>Réparer ou remplacer Nettoyer Réparer</p>	<p>S-38 S-42</p> <p>S-116</p>
Les gaz d'échappement sont soit blancs, soit bleus	<ul style="list-style-type: none"> <li>● Excès d'huile moteur</li> <li>● Usure ou collage d'un segment et d'une chemise</li> <li>● Mauvais calage de l'injection</li> <li>● Mauvais compression</li> </ul>	<p>Réduire au niveau spécifié Réparer ou remplacer</p> <p>Régler Régler les l'espace neutre</p>	<p>S-92</p> <p>S-114 S-56</p>
Les gaz d'échappement sont soit noirs, soit gris sombre	<ul style="list-style-type: none"> <li>● Surcharge</li> <li>● Mauvaise qualité de carburant</li> <li>● Filtre à carburant colmaté</li> <li>● Filtre à air colmaté</li> </ul>	<p>Diminuer la charge Utiliser le carburant spécifié Nettoyer ou changer Nettoyer ou changer</p>	
Puissance insuffisante	<ul style="list-style-type: none"> <li>● Mauvais calage de l'injection</li> <li>● Les pièces mobiles du moteur semblent grippées</li> <li>● Injection irrégulière de carburant</li> <li>● Injecteur défectueux</li> <li>● Manque de compression</li> </ul>	<p>Régler Réparer ou remplacer</p> <p>Réparer ou remplacer la pompe d'injection Réparer ou remplacer l'injecteur Remplacer le joint de culasse, serrer la vis de culasse, la bougie de préchauffage et le porte-injecteur</p>	<p>S-114</p> <p>S-56</p>
Consommation d'huile excessive	<ul style="list-style-type: none"> <li>● Le jeu de coupe est mis dans le même sens pour tous les segments de piston</li> <li>● Segment racleur usé ou colle</li> <li>● Rainure de segment usée</li> <li>● Usure de la queue de soupape et du guide</li> <li>● Usure des paliers du vilebrequin ou des paliers de tourillon</li> </ul>	<p>Modifier l'emplacement du jeu de coupe Remplacer Remplacer le piston Remplacer</p> <p>Remplacer</p>	<p>S-76</p> <p>S-94</p> <p>S-102</p>
Carburant mélangé à l'huile de graissage	<ul style="list-style-type: none"> <li>● Usure du plongeur de pompe d'injection</li> <li>● Pompe d'injection</li> </ul>	<p>Remplacer l'élément de pompe ou la pompe Remplacer</p>	S-114
Eau mélangée à l'huile de graissage	<ul style="list-style-type: none"> <li>● Joint de culasse défectueux</li> <li>● Carter ou culasse pailleux</li> </ul>	<p>Remplacer Remplacer</p>	

Anomalie	Cause possible	Solution	Page de ref.
Faible pression d'huile	<ul style="list-style-type: none"> <li>● Manque d'huile moteur</li> <li>● Crépine colmatée</li> <li>● Clapet de d'échape collée par la saleté</li> <li>● Ressort de clapet de d'échape fatigué ou cassé</li> <li>● Trop de jeu de marche d'un palier de villebrequin</li> <li>● Trop de jeu de marche d'un palier de tête de bielle</li> <li>● Trop de jeu de marche d'une coussinet de culbuteur</li> <li>● Passage d'huile colmaté</li> <li>● Type d'huile ne convenant pas</li> </ul>	Faire l'appoint Nettoyer Nettoyer  Remplacer  Remplacer  Remplacer  Remplacer  Nettoyer Utiliser le type d'huile spécifié Réparer ou remplacer	S-72        S-40
Pression d'huile élevée	<ul style="list-style-type: none"> <li>● Type d'huile ne convenant pas</li> <li>● Clapet de décharge défectueux</li> </ul>	Utiliser le type d'huile spécifié Remplacer	S-40
Moteur surchauffé	<ul style="list-style-type: none"> <li>● Manque d'huile moteur</li> <li>● Courroie de ventilateur cassée ou détendue</li> <li>● Manque de liquide de refroidissement</li> <li>● Nids d'abeilles ou ailettes de radiateur colmatés par la saleté</li> <li>● Intérieur du radiateur corrodé</li> <li>● Circuit de liquide de refroidissement corrodé</li> <li>● Bouchon de radiateur défectueux</li> <li>● Marche avec surcharge</li> <li>● Joint de culasse défectueux</li> <li>● Mauvais calage de l'injection</li> <li>● Type de carburant ne convenant pas</li> </ul>	Faire l'appoint Changer ou régler  Faire l'appoint Nettoyer  Nettoyer ou remplacer Nettoyer ou remplacer  Remplacer Diminuer la charge Remplacer Régler Utiliser le carburant spécifié	S-40
La batterie se décharge trop rapidement	<ul style="list-style-type: none"> <li>● Manque d'électrolyte</li> <li>● Patinage de la courroie de ventilateur</li> <li>● Câblage débranché</li> <li>● Redresseur défectueux</li> <li>● Dynamo de ventilateur défectueux</li> <li>● Batterie défectueuse</li> </ul>	Remettre de l'eau distillée et charger la batterie Régler la tension de la courroie ou la changer Rebrancher Remplacer Remplacer Changer	

**[4] STÖRUNGSSUCHE**

Störung	Mögliche Ursache	Abhilfe	Referenz Seite
<b>Motor springt nicht an</b>	<ul style="list-style-type: none"> <li>● Kein Kraftstoff</li> <li>● Luft im Kraftstoffsystem</li> <li>● Wasser im Kraftstoffsystem</li>   <li>● Kraftstoffleitung verstopft</li> <li>● Kraftstoff-Filter verstopft</li> <li>● Zu hohe Viskosität des Kraftstoffs oder des Motoröls bei niedriger Temperatur</li> <li>● Kraftstoff mit niedriger Ceten-Zahl</li>   <li>● Kraftstoffverlust infolge gelockerter Sicherungsmutter der Einspritzleitung</li> <li>● Unkorrekte Einstellung der Einspritzung</li> <li>● Kraftstoffnockenwelle abgenutzt</li> <li>● Einspritzdüse verstopft</li> <li>● Fehlerhafte Funktion der Einspritzpumpe</li> <li>● Pleuellwelle, Pleuellwelle, Pleueln, Pleuellbuchse oder Pleuelllager festgefressen</li> <li>● Kompressionsverlust am Zylinder</li>   <li>● Unzulängliche Ventilsteuerung</li>   <li>● Pleuellring und Pleuellbuchse abgenutzt</li> <li>● Übermäßiges Ventilspiel</li> </ul>	<p>Kraftstoff auffüllen Entlüften Kraftstoff austauschen und Kraftstoffsystem reparieren oder erneuern Reinigen Reinigen oder austauschen Vorgeschriebenen Kraftstoff oder Motoröl verwenden Vorgeschriebenen Kraftstoff verwenden Mutter anziehen</p> <p>Einstellen</p> <p>Austauschen Reinigen Reparieren oder austauschen Reparieren oder austauschen</p> <p>Kopfdichtung austauschen, Zylinderkopfschrauben, Glühkerze und Düsenhalter anziehen Einstellen oder Steuerung austauschen Austauschen Einstellen</p>	<p>S-38</p> <p>S-42 S-40</p> <p>S-114</p> <p>S-56</p> <p>S-104 S-44</p>
<b>Anlasser funktioniert nicht</b>	<ul style="list-style-type: none"> <li>● Batterie entladen</li> <li>● Fehlerhafte Funktion des Anlassers</li>   <li>● Fehlerhafte Funktion des Kippschalters</li> <li>● Verdrahtung gelöst</li> </ul>	<p>Aufladen Reparieren oder austauschen Reparieren oder austauschen Anschließen</p>	

Störung	Mögliche Ursache	Abhilfe	Referenz Seite
Motor dreht nicht gleichmäßig	<ul style="list-style-type: none"> <li>• Kraftstoff-Filter verstopft oder verschmutzt</li> <li>• Luftfilter verstopft</li> <li>• Kraftstoffverlust infolge gelockerter Einspritzleitungsmutter</li> <li>• Fehlerhafte Funktion der Einspritzpumpe</li> <li>• Falscher Öffnungsdruck der Düse</li> <li>• Einspritzdüse gesteckt oder verstopft</li> <li>• Kraftstoffüberlaufrohr verstopft</li> <li>• Fehlerhafte Funktion des Reglers</li> </ul>	<p>Reinigen oder austauschen</p> <p>Säubern oder austauschen Mutter anziehen</p> <p>Reparieren oder austauschen Einstellen Reparieren oder austauschen Reinigen Reparieren</p>	<p>S-38</p> <p>S-42</p> <p>S-116</p>
Austritt von weißem oder blauem Abgas	<ul style="list-style-type: none"> <li>• Zuviel Motoröl</li> <li>• Kolbenring und Buchse abgenutzt oder gesteckt</li> <li>• Unkorrekte Spritzeinstellung</li> <li>• Unzureichende Verdichtung</li> </ul>	<p>Auf vorgeschriebenen Stand vermindern Reparieren oder austauschen Einstellen Kopfspiel einstellen</p>	<p>S-92</p> <p>S-114</p> <p>S-56</p>
Austritt von schwarzem oder dunkelgrauem Abgas	<ul style="list-style-type: none"> <li>• Überlast</li> <li>• Kraftstoff schlechter Qualität</li> <li>• Kraftstoff-Filter verstopft</li> <li>• Luftfilter verstopft</li> </ul>	<p>Last vermindern Vorgeschriebenen Kraftstoff verwenden Reinigen oder austauschen Reinigen oder austauschen</p>	-
Unzulängliche Leistung	<ul style="list-style-type: none"> <li>• Unkorrekte Spritzeinstellung</li> <li>• Bewegliche Motorteile möglicherweise fastgefressen</li> <li>• Ungleichmäßige Kraftstoffeinspritzung</li> <li>• Unzureichende Düseneinspritzung</li> <li>• Kompressionsverlust</li> </ul>	<p>Einstellen Reparieren oder austauschen Reparieren oder Einspritzpumpe austauschen Reparieren oder Düse austauschen Kopfdichtung austauschen, Zylinderkopfschrauben, Glühkerze und Düsenhalter anziehen</p>	<p>S-114</p> <p>S-56</p>
Übermäßiger Schmierölverbrauch	<ul style="list-style-type: none"> <li>• Kolbenringpalt zeigt in gleiche Richtung</li> <li>• Ölabbreifring abgenutzt oder gesteckt</li> <li>• Kolbenringnut abgenutzt</li> <li>• Ventilschaft und -führung abgenutzt</li> <li>• Pleuellagerschale abgenutzt</li> </ul>	<p>Richtung des Kolbenringpalt verschieben Austauschen</p> <p>Kolben austauschen Austauschen Austauschen</p>	<p>S-76</p> <p>S-94</p> <p>S-102</p>
Kraftstoff in Schmieröl vermischt	<ul style="list-style-type: none"> <li>• Tauchkolben der Einspritzpumpe abgenutzt</li> <li>• Einspritzpumpe defekt</li> </ul>	<p>Pumpenelemente oder Pumpe austauschen Austauschen</p>	S-114
Wasser in Schmieröl vermischt	<ul style="list-style-type: none"> <li>• Kopfdichtung defekt</li> <li>• Risse im Kurbelgehäuse oder Zylinderkopf</li> </ul>	<p>Austauschen Austauschen</p>	

Störung	Mögliche Ursache	Abhilfe	Referenz Seite
Niedriger Öldruck	<ul style="list-style-type: none"> <li>● Zu wenig Motoröl</li> <li>● Ölfilter verstopft</li> <li>● Überdruckventil ist mit Staub verstopft</li> <li>● Überdruckventilfeder ermüdet oder gebrochen</li> <li>● Übermäßiges Ölspiel des Kurbelwellenlagers</li> <li>● Übermäßiges Ölspiel des Pleuellagerschales</li> <li>● Übermäßiges Ölspiel der Kipphebellager</li> <li>● Öldurchgang verstopft</li> <li>● Andere Ölsorte</li> <li>● Ölpumpe defekt</li> </ul>	<p>Auffüllen Reinigen Reinigen</p> <p>Austauschen</p> <p>Austauschen</p> <p>Austauschen</p> <p>Austauschen</p> <p>Reinigen Vorgeschriebenen Ölsorte verwenden Reparieren oder Austauschen</p>	<p>S-71</p> <p>S-40</p>
Höher Öldruck	<ul style="list-style-type: none"> <li>● Andere Ölsorte</li> <li>● Überdruckventil defekt</li> </ul>	Vorgeschriebenen Ölsorte verwenden Austauschen	S-40
Motor überhitzt	<ul style="list-style-type: none"> <li>● Zu wenig Motoröl</li> <li>● Lüfterriemen gebrochen oder nicht richtig gaspannt</li> <li>● Zu wenig Kühlwasser</li> <li>● Kühler und Kühlrippen durch Staub verstopft</li> <li>● Kühler innen verrostet</li> <li>● Kühlwasserleitung verrostet</li> <li>● Kühlerverschlußkappe defekt</li> <li>● Überlast</li> <li>● Kopfdichtung defekt</li> <li>● Unkorrekte Spritzeinstellung</li> <li>● Ungeeigneter Kraftstoff</li> </ul>	<p>Auffüllen Austauschen oder einstellen Auffüllen</p> <p>Reinigen oder austauschen Reinigen oder austauschen Austauschen Last vermindern Austauschen Einstellen Vorgeschriebenen Kraftstoff verwenden</p>	S-40
Schnelle Entladung der Batterie	<ul style="list-style-type: none"> <li>● Zu wenig Elektrolyt</li> <li>● Lüfterriemen rutscht</li> <li>● Verdrahtung gelöst</li> <li>● Gleichrichter defekt</li> <li>● Lichtmaschine mit Ventilator defekt</li> <li>● Batterie defekt</li> </ul>	<p>Destilliertes Wasser auffüllen und aufladen Spannung einstellen oder Riemen austauschen Anschließen Austauschen Austauschen Austauschen</p>	

**[5] SERVICING SPECIFICATIONS****(1) ENGINE BODY****Cylinder Head**

Item		Factory Specification	Allowable Limit
Cylinder head surface flatness		—	0.05 mm 0.0019 in.
Top clearance		0.6 to 0.8 mm 0.0237 to 0.0315 in.	—
Cylinder head gasket shim thickness		0.2 mm 0.0079 in.	—
Cylinder head gasket thickness (Grommet section)	Free	1.15 to 1.30 mm 0.0453 to 0.0512 in.	—
	Tightened	1.05 to 1.15 mm 0.0413 to 0.0453 in.	—
Compression pressure		31.5 kgf/cm <sup>2</sup> 3.09 MPa, 448 psi	23.7 kgf/cm <sup>2</sup> 2.32 MPa, 337 psi
Variance among cylinders			10% or less

**Valves**

Valve clearance (Cold)			0.145 to 0.185 mm 0.0057 to 0.0072 in.	—
Valve seat width	IN.		2.12 mm 0.0835 in.	—
		VH1100-B only	1.74 mm 0.0685 in.	—
	EX.		2.12 mm 0.0835 in.	—
Valve seat angle	IN.		45° 0.785 rad.	—
		VH1100-B only	60° 1.047 rad.	—
	EX.		45° 0.785 rad.	—
Valve face angle	IN.		45.5° 0.794 rad.	—
		VH1100-B only	60°15' 1.051 rad.	—
	EX.		45.5° 0.794 rad.	—
Valve recessing			0.9 to 1.1 mm 0.036 to 0.043 in.	1.3 mm 0.051 in.
Clearance between valve stem and valve guide				
Valve stem O.D.			0.035 to 0.065 mm 0.0014 to 0.0025 in.	0.1 mm 0.0039 in.
Valve guide I.D.			6.960 to 6.975 mm 0.2741 to 0.2746 in.	—
			7.010 to 7.025 mm 0.2760 to 0.2765 in.	—

**Valve Timing**

Item		Factory Specification	Allowable Limit
Intake valve	Open	20° (0.35 rad.) before T.D.C.	—
	Close	45° (0.79 rad.) after B.D.C.	—
Exhaust valve	Open	50° (0.87 rad.) before B.D.C.	—
	Close	15° (0.26 rad.) after T.D.C.	—

**Valve Spring**

Free length	35.1 to 35.6 mm 1.382 to 1.401 in.	34.8 mm 1.370 in.
Setting load / setting length	7.5 kgf/31.0 mm 73.5 N/31.0 mm, 16.5 lbs/1.22 in.	6.4 kgf/31.0 mm 62.8 N/31.0 mm, 14.1 lbs/1.22 in.
Tilt	—	1.3 mm 0.051 in.

**Rocker Arm**

Clearance between rocker arm shaft and bearing	0.016 to 0.068 mm 0.0006 to 0.0027 in.	0.12 mm 0.0047 in.
Rocker arm shaft O.D.	10.973 to 10.984 mm 0.4320 to 0.4324 in.	—
Rocker arm bearing I.D.	11.000 to 11.041 mm 0.4331 to 0.4347 in.	—

**Tappet**

Clearance between tappet and guide	0.020 to 0.062 mm 0.0008 to 0.0024 in.	0.1 mm 0.0039 in.
Tappet O.D.	19.959 to 19.980 mm 0.7858 to 0.7866 in.	—
Tappet guide I.D.	20.000 to 20.021 mm 0.7874 to 0.7882 in.	—

**Camshaft**

Camshaft side clearance	0.07 to 0.22 mm 0.0028 to 0.0087 in.	0.3 mm 0.0118 in.
Camshaft alignment	—	0.01 mm 0.0004 in.
Cam height (IN., EX.)	26.88 mm 1.0583 in.	26.83 mm 1.0563 in.
Oil clearance of camshaft	0.050 to 0.091 mm 0.0020 to 0.0036 in.	0.15 mm 0.0059 in.
Camshaft journal O.D.	32.934 to 32.950 mm 1.2966 to 1.2972 in.	
Camshaft bearing I.D.	33.000 to 33.025 mm 1.2992 to 1.3002 in.	

**Timing Gear**

Item	Factory Specification	Allowable Limit
Timing gear backlash	0.042 to 0.115 mm 0.0017 to 0.0045 in.	0.2 mm 0.0079 in.
Idle gear side clearance	0.20 to 0.51 mm 0.0079 to 0.0201 in.	0.8 mm 0.0315 in.
Clearance between idle gear shaft and idle gear bushing	0.016 to 0.045 mm 0.0006 to 0.0018 in.	0.1 mm 0.0039 in.
Idle gear shaft O.D.	17.973 to 17.984 mm 0.7076 to 0.7080 mm	—
Idle gear bushing I.D.	18.000 to 18.018 mm 0.7087 to 0.7094 in.	—
Engine serial number: 407507 and beyond (Z500-B, Z600-B, ZH600-B, D650-B, D750-B, D850-B, DH850-B, V1100-B, VH1100-B, V1200-B) 393782 and beyond (D950-B)		
Clearance between idle gear shaft and idle gear bushing	0.020 to 0.054 mm 0.0008 to 0.0021 in.	0.1 mm 0.0039 in.
Idle gear shaft O.D.	23.967 to 23.980 mm 0.9436 to 0.9441 in.	—
Idle gear bushing I.D.	24.000 to 24.021 mm 0.9449 to 0.9457 in.	—
Engine serial number: 599860 and beyond (Z500-B, Z600-B, ZH600-B, D650-B, D750-B, D850-B, DH850-B, D950-B, V1100-B, VH1100-B, V1200-B)		
Clearance between idle gear shaft and idle gear bushing	0.020 to 0.054 mm 0.0008 to 0.0021 in.	0.1 mm 0.0039 in.
Idle gear shaft O.D.	29.967 to 29.980 mm 1.1798 to 1.1803 in.	—
Idle gear bushing I.D.	30.000 to 30.021 mm 1.1811 to 1.1819 in.	—

**Piston-Piston Ring**

Piston Pin Bore	20.000 to 20.013 mm 0.7874 to 0.7879 in.	20.03 mm 0.7886 in.
Clearance between compression ring 2 and ring groove	0.085 to 0.112 mm 0.0033 to 0.0044 in.	0.20 mm 0.0079 in.
Piston ring groove width	1.555 to 1.570 mm 0.0613 to 0.0618 in.	—
Compression ring 2 width	1.458 to 1.470 mm 0.0574 to 0.0579 in.	—
Clearance between oil ring and ring groove	0.020 to 0.055 mm 0.0008 to 0.0021 in.	0.20 mm 0.0079 in.
Piston ring groove width	4.010 to 4.030 mm 0.1579 to 0.1587 in.	—
Oil ring width	3.975 to 3.990 mm 0.1565 to 0.1571 in.	—



**Piston-Piston Ring (Continued)**

Item		Factory Specification	Allowable Limit
Ring gap	Compression ring 1	0.25 to 0.40 mm 0.0098 to 0.0157 in.	1.25 mm 0.0492 in.
		D950-B, V1200-B only 0.20 to 0.35 mm 0.0079 to 0.0138 in.	
	Compression ring 2	0.25 to 0.40 mm 0.0098 to 0.0157 in.	1.25 mm 0.0492 in.
		D950-B only 0.30 to 0.45 mm 0.0118 to 0.0177 in.	
	Oil ring	0.25 to 0.40 mm 0.0098 to 0.0157 in.	1.25 mm 0.0492 in.
		D650-B, D750-B only 0.20 to 0.40 mm 0.0079 to 0.0157 in.	

**Connecting Rod**

Connecting rod alignment	—	0.05 mm 0.0020 in.
Clearance between piston pin and small end bushing	0.014 to 0.038 mm 0.0006 to 0.0015 in.	0.15 mm 0.0059 in.
Piston pin O.D.	20.002 to 20.011 mm 0.7875 to 0.7878 in.	—
Small end bushing I.D.	20.025 to 20.040 mm 0.7884 to 0.7890 in.	—

**Crankshaft**

Crankshaft alignment	—	0.02 mm 0.0008 in.
Oil clearance between crankshaft and crankshaft bearing 1	0.034 to 0.106 mm 0.0013 to 0.0042 in.	0.2 mm 0.0079 in.
Crankshaft O.D.	43.934 to 43.950 mm 1.7297 to 1.7303 in.	—
Crankshaft bearing 1 I.D.	43.984 to 44.040 mm 1.7317 to 1.7339 in.	—
Oil clearance between crankshaft and crankshaft bearing 2	0.034 to 0.092 mm 0.0013 to 0.0036 in.	0.2 mm 0.0079 in.
Crankshaft O.D.	43.934 to 43.950 mm 1.7297 to 1.7303 in.	—
Crankshaft bearing 2 I.D.	43.984 to 44.026 mm 1.7317 to 1.7333 in.	—
Oil clearance between crank pin and crank pin bearing	0.029 to 0.087 mm 0.0011 to 0.0034 in.	0.2 mm 0.0079 in.
Crank pin O.D.	36.959 to 36.975 mm 1.4551 to 1.4557 in.	—
Crank pin bearing I.D.	37.004 to 37.046 mm 1.4569 to 1.4585 in.	—
Crankshaft side clearance	0.15 to 0.31 mm 0.0059 to 0.0122 in.	0.5 mm 0.0197 in.
Crankshaft sleeve wear	—	0.1 mm 0.0039 in.

**Cylinder Liner**

Item		Factory Specification	Allowable Limit
Cylinder liner I.D.	D650-B	64.000 to 64.019 mm 2.5197 to 2.5204 in.	+ 0.15 mm 0.0059 in.
	Z500-B, D750-B	68.000 to 68.019 mm 2.6772 to 2.6779 in.	
	D600-B,ZH600-B D850-B,DH850-B V1100-B VH1100-B	72.000 to 72.019 mm 2.8347 to 2.8354 in.	
	D950-B, V1200-B	75.000 to 75.019 mm 2.9528 to 2.9535 in.	
Oversized cylinder liner I.D.		+ 0.5 mm 0.0197 in.	

**(2) LUBRICATING SYSTEM****Oil Pump**

Engine oil pressure	At idle speed		0.7 kgf/cm <sup>2</sup> 68 kPa, 10 psi	—
	At rated speed		2.0 to 4.5 kgf/cm <sup>2</sup> 196 to 441 kPa, 29 to 64 psi	2.0 kgf/cm <sup>2</sup> 196 kPa, 29 psi
		V1100-B V1200-B only	1.7 to 3.5 kgf/cm <sup>2</sup> 167 to 343 kPa, 24 to 49 psi	1.7 kgf/cm <sup>2</sup> 167 kPa, 24 psi
Clearance between inner rotor and outer rotor			0.11 to 0.15 mm 0.0043 to 0.0059 in.	0.2 mm 0.0079 in.
Clearance between outer rotor and pump body			0.07 to 0.15 mm 0.0028 to 0.0059 in.	0.25 mm 0.0098 in.
End clearance between inner rotor and cover			0.08 to 0.13 mm 0.0031 to 0.0051 in.	0.2 mm 0.0079 in.

**(3) COOLING SYSTEM****Thermostat**

Thermostat's valve opening temperature	80.5 to 83.5°C 176.9 to 182.3°F	—
Temperature at which thermostat completely opens	95°C 203°F	—

**(4) FUEL SYSTEM****Injection Pump**

Item	Factory Specification	Allowable Limit
Injection timing	23° to 25° before T.D.C. (0.402 to 0.436 rad.)	—
Fuel tightness of pump element	—	150 kgf/cm <sup>2</sup> 14.7 MPa, 2133 psi
Fuel tightness of delivery valve	More 10 seconds 150 → 140 kgf/cm <sup>2</sup> 14.7 → 13.7 MPa 2133 → 1990 psi	5 seconds 150 → 140 kgf/cm <sup>2</sup> 14.7 → 13.7 MPa 2133 → 1990 psi

**Injection Nozzle**

Fuel injection pressure	140 to 150 kgf/cm <sup>2</sup> 13.73 to 14.71 MPa 1991 to 2133 psi	—
Fuel tightness of nozzle valve seat	When the pressure is 130 kgf/cm <sup>2</sup> (12.75 MPa, 1849 psi), the valve seat must be fuel tightness.	—

**(5) ELECTRICAL SYSTEM****Starter**

Commutator O.D.	(1 kW)	30.0 mm 1.1811 in.	29.0 mm 1.1417 in.
	(0.8 kW)	28.0 mm 1.1024 in.	27.0 mm 1.0630 in.
Mica undercut		0.5 to 0.8 mm 0.0197 to 0.0315 in.	0.2 mm 0.079 in.
Brush length	(1 kW)	13.0 mm 0.5118 in.	8.5 mm 0.3346 in.
	(0.8 kW)	16.0 mm 0.6299 in.	10.5 mm 0.4134 in.

**Alternator**

No-load voltage	AC 20 V at 5200 rpm	—
-----------------	---------------------	---

**Glow Plug**

Glow plug resistance	1.0 to 1.2 Ω	—
----------------------	--------------	---

**[5] CARACTERISTIQUES D'ENTRETIEN****(1) MOTEUR****Culasse**

Élément		Valeur de référence	Limite de service
Planéité de la surface de la culasse		-	0.05 mm
Jeu supérieur Épaisseur de cale du joint de culasse		0,6 à 0,8 mm 0,2 mm	- -
Épaisseur du joint de culasse (Partie oeillet)	Libre	1,15 à 1,30 mm	-
	Serré	1,05 à 1,15 mm	-
Pression de compression		31,5 kgf/cm <sup>2</sup>	23,7 kgf/cm <sup>2</sup>
Différence entre les cylindres			10% ou moins

**Soupapes**

Jeu des soupapes (à froid)		0,145 à 0,185 mm	-
Largeur de siège de soupape	ADM.		2,12 mm
		VH1100-B	1,74 mm
	ECH.		2,12 mm
Angle de siège de soupape	ADM.		45° 0,785 rad.
		VH1100-B	60° 1,047 rad.
	ECH.		45° 0,785 rad.
Angle de surface de soupape	ADM.		45,5° 0,794 rad.
		VH1100-B	60°15' 1,051 rad.
	ECH.		45,5° 0,794 rad.
Retrait des soupapes		0,9 à 1,1 mm	1,3 mm
Jeu entre la queue de soupape et le guide de soupape		0,035 à 0,065 mm	0,1 mm
Diamètre ext. de queue de soupape		6,960 à 6,975 mm	-
Diamètre int. de guide de soupape		7,010 à 7,025 mm	-

**Calage des soupapes**

Soupape d'admission	Ouverte	20° (0,35 rad.) avant PMH	-
	Fermée	45° (0,79 rad.) après PMB	-
Soupape d'échappement	Ouverte	50° (0,87 rad.) avant PMB	-
	Fermée	15° (0,26 rad.) après PMH	-

**Ressort de soupape**

Élément	Valeur de référence	Limite de service
Longueur libre	35,1 à 35,6 mm	34,8 mm
Force sous charge / longueur sous charge	7,5 kgf/31,0 mm 73,5 N/31,0 mm	6,4 kgf/31,0 mm 62,8 N/31,0 mm
Rectangularité	-	1,3 mm

**Culbuteurs**

Jeu entre l'axe et la coussinet de culbuteur	0,016 à 0,068 mm	0,12 mm
Diamètre extérieur de l'axe de culbuteur	10,973 à 10,984 mm	-
Diamètre intérieur de la coussinet de culbuteur	11,000 à 11,041 mm	-

**Poussoirs**

Jeu entre le poussoir et le guide	0,020 à 0,062 mm	0,1 mm
Diamètre extérieur du poussoir	19,959 à 19,980 mm	-
Diamètre intérieur du guide de poussoir	20,000 à 20,021 mm	-

**Arbre à cames**

Jeu latéral d'arbre à cames	0,07 à 0,22 mm	0,3 mm
Alignement d'arbre à cames	-	0,01 mm
Hauteur de cames (ADM., ECH.)	26,88 mm	26,83 mm
Jeu de lubrification de l'arbre à cames	0,050 à 0,091 mm	0,15 mm
Diamètre extérieur du tourillon d'arbre à cames	32,934 à 32,950 mm	-
Diamètre intérieur du coussinet d'arbre à cames	33,000 à 33,025 mm	-

**Pignon de distribution**

Jeu de pignon de distribution	0,042 à 0,115 mm	0,2 mm
Jeu latéral de pignon de renvoi	0,20 à 0,51 mm	0,8 mm
Jeu entre l'axe de pignon de renvoi et la bague de pignon de renvoi	0,016 à 0,045 mm	0,1 mm
Diamètre extérieur de l'axe de pignon de renvoi	17,973 à 17,984 mm	-
Diamètre intérieur de la bague de pignon de renvoi	18,000 à 18,018 mm	-
Numéro de série moteur: à partir de 407507 Z500-B, Z600-B, ZH600-B, D650-B, D750-B, D850-B, DH850-B, V1100-B, VH1100-B, V1200-B à partir de 393782 (D950-B)		
Jeu entre l'axe de pignon de renvoi et la bague de pignon de renvoi	0,020 à 0,054 mm	0,1 mm
Diamètre extérieur de l'axe de pignon de renvoi	23,967 à 23,980 mm	-
Diamètre intérieur de la bague de pignon de renvoi	24,000 à 24,021 mm	-

**Pignon de distribution (Suit)**

Elément	Valeur de référence	Limite de service
Numéro de série moteur: à partir de 599860 Z500-B, Z600-B, ZH600-B, D650-B, D750-B, D850-B, DH850-B, D950-B, V1100-B, VH1100-B, V1200-B		
Jeu entre l'axe de pignon de renvoi et la bague de pignon de renvoi	0,020 à 0,054 mm	0,1 mm
Diamètre extérieur de l'axe de pignon de renvoi	29,967 à 29,980 mm	-
Diamètre intérieur de la bague de pignon de renvoi	30,000 à 30,021 mm	-

**Piston et segment**

Diamètre intérieur du alésage d'axe de piston		20,000 à 20,013 mm	20,03 mm	
Jeu entre le segment de compression 2 et la rainure de segment		0,085 à 0,112 mm	0,20 mm	
Largeur de la rainure de segment		1,555 à 1,570 mm	-	
Largeur du segment de compression 2		1,458 à 1,470 mm	-	
Jeu entre le segment racleur et la rainure de segment		0,020 à 0,055 mm	0,20 mm	
Largeur de la rainure de segment		4,010 à 4,030 mm	-	
Largeur du segment racleur		3,975 à 3,990 mm	-	
Jeu de segments	Segment 1 de compression		0,25 à 0,40 mm	1,25 mm
		D950-B, V1200-B	0,20 à 0,35 mm	
	Segment 2 de compression		0,25 à 0,40 mm	1,25 mm
		D950-B	0,30 à 0,45 mm	
	Segment racleur		0,25 à 0,40 mm	1,25 mm
		D650-B, D750-B	0,20 à 0,40 mm	

**Bielles**

Alignement des bielles	-	0,05 mm
Jeu entre l'axe de piston et le coussinet de pied de bielle	0,014 à 0,038 mm	0,15 mm
Diamètre extérieur de l'axe de piston	20,002 à 20,011 mm	-
Diamètre intérieur du coussinet de pied de bielle	20,025 à 20,040 mm	-

**Vilebrequin**

Alignement du vilebrequin	-	0,02 mm
Jeu de lubrification entre le vilebrequin et le coussinet 1 de vilebrequin	0,034 à 0,106 mm	0,2 mm
Diamètre extérieur du vilebrequin	43,934 à 43,950 mm	-
Diamètre intérieur du coussinet 1 du vilebrequin	43,984 à 44,040 mm	-
Jeu de lubrification entre le vilebrequin et le coussinet 2 de vilebrequin	0,034 à 0,092 mm	0,2 mm
Diamètre extérieur du vilebrequin	43,934 à 43,950 mm	-
Diamètre intérieur du coussinet 2 du vilebrequin	43,984 à 44,026 mm	-

**Vilebrequin (Suit)**

Élément	Valeur de référence	Limite de service
Jeu de lubrification entre le maneton et le coussinet de tête de bielle	0,029 à 0,087 mm	0,2 mm
Diamètre extérieur du maneton	36,959 à 36,975 mm	—
Diamètre intérieur du coussinet de tête de bielle	37,004 à 37,046 mm	—
Jeu latéral du vilebrequin	0,15 à 0,31 mm	0,5 mm
Usure de la coupelle de vilebrequin	—	0,1 mm

**Chemises de cylindres**

Diamètre intérieur de la chemise de cylindre	64,000 à 64,019 mm 68,000 à 68,019 mm 72,000 à 72,019 mm 75,000 à 75,019 mm	+ 0,15 mm
Diamètre intérieur de la chemise de cylindre surdimensionnée	+ 0,5 mm	

**(2) SYSTEME DE LUBRIFICATION****Pompe à huile**

Pression d'huile moteur	Au ralenti		0,7 kgf/cm <sup>2</sup> 68 kPa	—
	A vitesse nominale		2,0 à 4,5 kgf/cm <sup>2</sup> 196 à 441 kPa	2,0 kgf/cm <sup>2</sup> 196 kPa
		V1100-B V1200-B	1,7 à 3,5 kgf/cm <sup>2</sup> 167 à 343 kPa	1,7 kgf/cm <sup>2</sup> 167 kPa
Jeu entre le rotor intérieur et le rotor extérieur		0,11 à 0,15 mm	0,2 mm	
Jeu entre le rotor extérieur et le corps de pompe		0,07 à 0,15 mm	0,25 mm	
Jeu latéral entre le rotor intérieur et le couvercle		0,08 à 0,13 mm	0,2 mm	

**(3) SYSTEME DE REFROIDISSEMENT****Thermostat**

Température d'ouverture du clapet de thermostat	80,5 à 83,5°C	—
Température d'ouverture complète du thermostat	95°C	—

**Radiateur**

Étanchéité à l'eau du radiateur	Étanchéité à l'eau à la pression spécifiée 1,4 kgf/cm <sup>2</sup> 137 kPa, 20 psi	—
Fuite d'air au bouchon de radiateur	10 secondes ou plus 0,9 → 0,6 kgf/cm <sup>2</sup> 88 → 59 kPa	—
Tension de la courroie de ventilateur	7 à 9 mm/10 kgf	—

**(4) SYSTEME DE REFROIDISSEMENT****Pompe d'injection**

Elément	Valeur de référence	Limite de service
Calage de l'injection	23° à 25° avant PMH (0,402 à 0,436 rad.)	–
Etanchéité au carburant de l'élément de pompe	–	150 kgf/cm <sup>2</sup>
Etanchéité au carburant du clapet d'alimentation	10 seconds 150 → 140 kgf/cm <sup>2</sup> 14,7 → 13,7 MPa	5 seconds 150 → 140 kgf/cm <sup>2</sup> 14,7 → 13,7 MPa

**Injecteur**

Pression d'injection	140 à 150 kgf/cm <sup>2</sup> 13,73 à 14,71 MPa	–
Etanchéité au carburant du siège du clapet d'injecteur	Lorsque la pression est de 130 kgf/cm <sup>2</sup> (12,75 MPa), le siège de clapet doit être étanche au carburant	–

**(5) SYSTEME ELECTRIQUE****Démarrreur**

Diamètre extérieur du contacteur	(1 kW)	30,0 mm	29,0 mm
	(0.8 kW)	28,0 mm	27,0 mm
Profondeur d'entaille du mica		0,5 à 0,8 mm	0,2 mm
Longueur des balais	(1 kW)	13,0 mm	8,5 mm
	(0.8 kW)	16,0 mm	10,5 mm

**Alternateur**

Tension à vide	20 V à 5200 tr/mn	–
----------------	-------------------	---

**Bougie de préchauffage**

Résistance de la bougie de préchauffage	1,0 à 1,2 ohm	–
---	---------------	---



**[5] WARTUNGSDATEN****(1) MOTORKÖRPER****Zylinderkopf**

Teil		Werkdaten	Zulässiger Grenzwert
Abflachung der Zylinderkopffläche		–	0,05 mm
Kopfspiel Stärke der Zylinderkopfdichtungsscheibe		0,6 bis 0,8 mm 0,2 mm	– –
Stärke der Zylinderkopfdichtung (Auflageabschnitt)	Frei	1,15 bis 1,30 mm	–
	Anziehen	1,05 bis 1,15 mm	–
Verdichtungsdruck		31,5 kgf/cm <sup>2</sup>	23,7 kgf/cm <sup>2</sup>
Unterschiedlichkeit der Zylinder			10% oder weniger

**Ventile**

Ventilspiel (kalt)			0,145 à 0,185 mm	–
Ventilsitzbreite	Einlaß		2,12 mm	–
		VH1100-B	1,74 mm	–
	Auslaß		2,12 mm	–
Ventilsitzwinkel	Einlaß		45° 0,785 rad.	–
		VH1100-B	60° 1,047 rad.	–
	Auslaß		45° 0,785 rad.	–
Ventilellerwinkel	Einlaß		45,5° 0,794 rad.	–
		VH1100-B	60°15' 1,051 rad.	–
	Auslaß		45,5° 0,794 rad.	–
Ventilvertiefung			0,9 à 1,1 mm	1,3 mm
Spiel zwischen Ventilschaft und Ventilfehrung			0,035 à 0,065 mm	0,1 mm
	Ventilschaft Außendurchmesser		6,960 à 6,975 mm	–
	Ventilfehrung Innendurchmesser		7,010 à 7,025 mm	–

**Ventilsteuerung**

Einlaßventil	Offen	20° (0,35 rad.) Vor O.T.	–
	geschlossen	45° (0,79 rad.) Nach U.T.	–
Auslaßventil	Offen	50° (0,87 rad.) Vor U.T.	–
	geschlossen	15° (0,26 rad.) Nach O.T.	–

**Ventilfeder**

Teil	Werkdaten	Zulässiger Grenzwert
Freie Länge	35,1 bis 35,6 mm	34,8 mm
Einstellast / Einstelllänge	7,5 kgf/31,0 mm 73,5 N/31,0 mm	6,4 kgf/31,0 mm 62,8 N/31,0 mm
Neigung	–	1,3 mm

**Kipphebel**

Spiel zwischen Kipphebelachse und -lager	0,016 bis 0,068 mm	0,12 mm
Kipphebelachse Außendurchmesser	10,973 bis 10,984 mm	–
Kipphebellager Innendurchmesser	11,000 bis 11,041 mm	–

**Stößel**

Spiel zwischen Stößel und Führung	0,020 bis 0,062 mm	0,1 mm
Stößel Außendurchmesser	19,959 bis 19,980 mm	–
Stößelführung Innendurchmesser	20,000 bis 20,021 mm	–

**Nockenwelle**

Seitenspiel der Nockenwelle	0,07 bis 0,22 mm	0,3 mm
Nockenwellenausrichtung	–	0,01 mm
Nockenhöhe (einlaß, auslaß)	26,88 mm	26,83 mm
Ölspiel der Nockenwelle	0,050 bis 0,091 mm	0,15 mm
Nockenwellenzapfen Außendurchmesser	32,934 bis 32,950 mm	–
Nockenwellenlager Innendurchmesser	33,000 bis 33,025 mm	–

**Steuerung**

Spiel der Steuerung	0,042 bis 0,115 mm	0,2 mm
Leerlauf-Seitenspiel	0,20 bis 0,51 mm	0,8 mm
Spiel zwischen Leerlaufachse und Leerlaufbuchse	0,016 bis 0,045 mm	0,1 mm
Leerlaufachse Außendurchmesser	17,973 bis 17,984 mm	–
Leerlaufbuchse Innendurchmesser	18,000 bis 18,018 mm	–
Seriennummer des Motors: 407507 und höher Z500-B, Z600-B, ZH600-B, D650-B, D750-B, D850-B, DH850-B, V1100-B, VH1100-B, V1200-B 393782 und höher (D950-B)		
Spiel zwischen Leerlaufachse und Leerlaufbuchse	0,020 bis 0,054 mm	0,1 mm
Leerlaufachse Außendurchmesser	23,967 bis 23,980 mm	–
Leerlaufbuchse Innendurchmesser	24,000 bis 24,021 mm	–
Seriennummer des Motors: 599860 und höher Z500-B, Z600-B, ZH600-B, D650-B, D750-B, D850-B, DH850-B, D950-B, V1100-B, VH1100-B, V1200-B		
Spiel zwischen Leerlaufachse und Leerlaufbuchse	0,020 bis 0,054 mm	0,1 mm
Leerlaufachse Außendurchmesser	29,967 bis 29,980 mm	–
Leerlaufbuchse Innendurchmesser	30,000 bis 30,021 mm	–

**Kolben-Kolbenring**

Teil		Werkdaten	Zulässiger Grenzwert
Innendurchmesser des Kolbenbolzenbohrloch		20,000 bis 20,013 mm	20,03 mm
Spiel zwischen Verdichterring 2 und Ringnut		0,085 bis 0,112 mm	0,20 mm
Kolbenringnutbreite		1,555 bis 1,570 mm	–
Verdichterringbreite 2		1,458 bis 1,470 mm	–
Jeu entre le segment racleur et la rainure de segment		0,020 bis 0,055 mm	0,20 mm
Largeur de la rainure de segment		4,010 bis 4,030 mm	–
Largeur du segment racleur		3,975 bis 3,990 mm	–
Kolbenringspalt	Verdichterring 1		1,25 mm
		D950-B, V1200-B	
	Verdichterring 2		1,25 mm
		D950-B	
	Ölabstreifring		1,25 mm
		D650-B, D750-B	

**Pleuelstange**

Pleuelstangenausrichtung	–	0,05 mm
Spiel zwischen Kolbenbolzen und Pleuelbuchse	0,014 bis 0,038 mm	0,15 mm
Kolbenbolzen Außendurchmesser	20,002 bis 20,011 mm	–
Pleuelbuchse Innendurchmesser	20,025 bis 20,040 mm	–

**Kurbelwelle**

Kurbelwellenausrichtung	–	0,02 mm
Ölspiel zwischen Kurbelwelle und Kurbelwellenlager 1	0,034 bis 0,106 mm	0,2 mm
Kurbelwelle Außendurchmesser	43,934 bis 43,950 mm	–
Kurbelwellenlager 1 Innendurchmesser	43,984 bis 44,040 mm	–
Ölspiel zwischen Kurbelwelle und Kurbelwellenlager 2	0,034 bis 0,092 mm	0,2 mm
Kurbelwelle Außendurchmesser	43,934 bis 43,950 mm	–
Kurbelwellenlager 2 Innendurchmesser	43,984 bis 44,026 mm	–
Ölspiel zwischen Kurbelzapfen und Pleuellagerschale	0,029 bis 0,087 mm	0,2 mm
Kurbelzapfen Außendurchmesser	36,959 bis 36,975 mm	–
Pleuellagerschale Innendurchmesser	37,004 bis 37,046 mm	–
Seitenspiel der Kurbelwelle	0,15 bis 0,31 mm	0,5 mm
Abnutzung der Kurbelwellenbuchse	–	0,1 mm

**Zylinderlaufbuchse**

Teil	Werkdaten	Zulässiger Grenzwert
Zylinderlaufbuchse Innendurchmesser	64,000 bis 64,019 mm 68,000 bis 68,019 mm 72,000 bis 72,019 mm 75,000 bis 75,019 mm	+ 0,15 mm
Zylinderlaufbuchse in Übergröße Innendurchmesser	+ 0,5 mm	

**(2) SCHMIERUNGSSYSTEM****Ölpumpe**

Motoröldruck	Bei Leerlaufdrehzahl		0,7 kgf/cm <sup>2</sup> 68 kPa	–
	Bei Nenndrehzahl		2,0 bis 4,5 kgf/cm <sup>2</sup> 196 bis 441 kPa	2,0 kgf/cm <sup>2</sup> 196 kPa
		V1100-B V1200-B		1,7 bis 3,5 kgf/cm <sup>2</sup> 167 bis 343 kPa
Spiel zwischen innerem und äußerem Flügelrad			0,11 bis 0,15 mm	0,2 mm
Spiel zwischen äußerem Flügelrad und Pumpengehäuse			0,07 bis 0,15 mm	0,25 mm
Endspiel zwischen innerem Flügelrad und Abdeckung			0,08 bis 0,13 mm	0,2 mm

**(3) KÜHLUNGSSYSTEM****Thermostat**

Öffnungstemperatur des Thermostatventils	80,5 bis 83,5°C	–
Temperatur für vollständige Öffnung des Thermostats	95°C	–

**Kühler**

Wasserdichtigkeit des Kühlers	Wasserdichtigkeit bei vorgeschriebenem Druck 1,4 kgf/cm <sup>2</sup> 137 kPa	–
Entlüftung durch Kühlerverschlußkappe	10 Sekunden oder mehr 0,9 → 0,6 kgf/cm <sup>2</sup> 88 → 59 kPa	–
Spannung des Lüfterriemens	7 bis 9 mm/10 kgf	–

**(4) KRAFTSTOFFSYSTEM****Einspritzpumpe**

Teil	Werkdaten	Zulässiger Grenzwert
SpritzEinstellung	23° bis 25° vor O.T. (0,402 bis 0,436 rad.)	—
Kraftstoffdichtigkeit des Pumpenelementes	—	150 kgf/cm <sup>2</sup>
Kraftstoffdichtigkeit des Druckventils	10 Sekunden 150 → 140 kgf/cm <sup>2</sup> 14,7 → 13,7 MPa	5 Sekunden 150 → 140 kgf/cm <sup>2</sup> 14,7 → 13,7 MPa

**Einspritzdüse**

Kraftstoff-Einspritzdruck	140 bis 150 kgf/cm <sup>2</sup> 13,73 bis 14,71 MPa	—
Kraftstoffdichtigkeit des Düsenventilsitzes	Bei einem Druck von 130 kgf/cm <sup>2</sup> (12,75 MPa), darf kein Kraftstoff am Ventilsitz austreten.	—

**(5) ELEKTRISCHES SYSTEM****Anlasser**

Kommutator Außendurchmesser	(1 kW)	30,0 mm	29,0 mm
	(0.8 kW)	28,0 mm	27,0 mm
Glimmer-Unterschneidung		0,5 bis 0,8 mm	0,2 mm
Bürstenlänge	(1 kW)	13,0 mm	8,5 mm
	(0.8 kW)	16,0 mm	10,5 mm

**Wechselstromdynamo**

Leerlaufspannung	20 V / 5200 U/Min.	—
------------------	--------------------	---

**Glühkerze**

Widerstand Glühkerze	1,0 bis 1,2 Ω	—
----------------------	---------------	---

## [6] MAINTENANCE CHECK LIST

To maintain long-lasting and safe engine performance, make it a rule to carry out regular inspections by following the table below.

Item	Service Interval									
	Every 50 hrs	Every 100 hrs	Every 150 hrs	Every 200 hrs	Every 400 hrs	Every 800 hrs	Every 1000 hrs	Every three months	Every one year	Every two years
Checking fuel pipes and clamps	○									
Changing engine oil *		○								
Cleaning air filter element		○								
Cleaning fuel filter		○								
Checking fan belt tension and damage		○								
Checking water pipes and clamps			○							
Changing oil filter cartridge *				○						
Changing fuel filter element					○					
Cleaning radiator interior					○					
Changing radiator cleaner and coolant								○		
Changing air filter element									○	
Checking valve clearance						○				
Checking nozzle injection pressure							○			
Changing water pipes and clamps										○
Changing fuel pipes and clamps										○

\* Change engine oil and oil filter cartridge after the first 50 hours of operation.

### CAUTION

- When changing or inspecting, be sure to level and stop the engine.

## [6] LISTE DES VERIFICATION D'ENTRETIEN

Pour conserver longtemps la fiabilité et la sécurité du moteur, procéder aux inspections périodiques suivantes.

Elément	Périodes d'entretien									
	Toutes les 50 hrs	Toutes les 100 hrs	Toutes les 150 hrs	Toutes les 200 hrs	Toutes les 400 hrs	Toutes les 800 hrs	Toutes les 1000 hrs	Tous les 3 mois	Une fois par an	Une fois tous les 2 ans
Vérification des conduits d'alimentation et des étriers	○									
Changer de l'huile moteur *		○								
Nettoyage de l'élément de filtre à air		○								
Nettoyage du filtre à carburant		○								
Vérification de la tension de la courroie de ventilateur et de son état		○								
Vérification des conduits d'eau et des étriers			○							
Renouvellement de la cartouche du filtre à huile *				○						
Renouvellement de l'élément de filtre à carburant					○					
Nettoyage de l'intérieur du radiateur					○					
Renouvellement du filtre de radiateur et du liquide de refroidissement								○		
Renouvellement de l'élément de filtre à air									○	
Vérification du jeu des soupapes						○				
Vérification de la pression d'injection							○			
Renouvellement des conduits d'eau et de étriers										○
Renouvellement des conduits d'alimentation et des étriers										○

\* Changer l'huile moteur et la cartouche du filtre à huile après les premières 50 heures de service.

### ⚠ ATTENTION

- Pour toute opération de remplacement ou de vérification, veiller à ce que le moteur soit placé de niveau et mis à l'arrêt.

## [6] WARTUNGS-CHECKLISTE

Zur Gewährleistung einer dauerhaften und sicheren Funktion der Motors sollten regelmäßige Inspektionen entsprechend der nachstehenden Tabelle durchgeführt werden.

Teil	Zeitabstände der Wartung									
	Alle 50 Stunden	Alle 100 Stunden	Alle 150 Stunden	Alle 200 Stunden	Alle 400 Stunden	Alle 800 Stunden	Alle 1000 Stunden	Alle 3 Monate	Jedes Jahr	Alle 2 Jahre
Überprüfung der Kraftstoffleitungen und Klemmen	○									
Motorölwechsel *		○								
Reinigung des Luftfiltereinsatzes		○								
Reinigung des Kraftstoff-Filters		○								
Überprüfung der Lüfterriemenspannung und Feststellung von Beschädigungen		○								
Überprüfung der Wasserleitungen und Klemmen			○							
Austausch der Ölfilterpatrone *				○						
Austausch des Kraftstoff-Filtereinsatzes					○					
Reinigung des Kühlerinnenraumes					○					
Austausch des Kühlerreinigungsmittels und des Kühlmittels								○		
Austausch des Luftfiltereinsatzes									○	
Überprüfung des Ventilspiels						○				
Überprüfung des Düseneinspritzdruckes							○			
Austausch der Wasserleitungen und Klemmen										○
Austausch der Kraftstoffleitungen und Klemmen										○

\* Tauschen Sie das Motoröl und Ölfilterpatrone nach den ersten 50 Betriebsstunden aus.

### ATTENTION

- Bei Austausch oder Inspektion muß der Motor ausgeschaltet werden.



## [7] CHECK AND MAINTENANCE

### (1) Daily Check Points

#### Checking Engine Oil Level

1. Level the engine.
2. To check the oil level, draw out the dipstick, wipe it clean, reinsert it, and draw it out again. Check to see that the oil level lies between the two notches.
3. If the level is too low, add new oil to the specified level.

#### ■ IMPORTANT

- When using an oil of different maker or viscosity from the previous one, drain old oil. Never mix two different types of oil.

#### Checking and Replenish Cooling Water

1. Remove the radiator cap and check to see that the cooling water level is just below the port.
2. If low, add clean water and antifreeze.

#### ⚠ CAUTION

- Do not remove the radiator cap until cooling water temperature is below its boiling point. Then loosen the cap slightly to relieve any excess pressure before removing the cap completely.

#### ■ IMPORTANT

- Be sure to close the radiator cap securely. If the cap is loose or improperly closed, water may leak out and the engine could overheat.
- Do not use an antifreeze and scale inhibitor at the same time.

## [7] VERIFICATION ET ENTRETIEN

### (1) Points de verification journalier

#### Verification du niveau d'huile moteur

1. Niveler le moteur.
2. Pour vérifier le niveau d'huile, retirer la jauge, l'essuyer, la remettre et la retirer de nouveau. Vérifier que le niveau d'huile se trouve entre les deux repères.
3. S'il manque de l'huile, ajouter de l'huile au niveau spécifié.

#### ■ IMPORTANT

- Si l'on utilise une huile de marque ou de viscosité différente de l'huile se trouvant dans le carter, vidanger d'abord toute l'huile usagée. Ne jamais mélanger deux types d'huiles différents.

#### Vérification et remplissage du liquide de refroidissement

1. Déposer le bouchon de radiateur et vérifier si le niveau de liquide de refroidissement se trouve juste au-dessous de l'orifice.
2. S'il est inférieur, faire l'appoint d'eau propre et antigel.

#### ⚠ ATTENTION

- Ne pas enlever le bouchon du radiateur tant que la température de le liquide de refroidissement n'est pas descendue en-dessous du point d'ébullition. Ensuite, desserrer légèrement le bouchon jusqu'à la butée pour laisser s'échapper toute pression excessive avant d'ôter complètement le bouchon.

#### ■ IMPORTANT

- Ne pas manquer de serrer fermement le bouchon de radiateur. Si le bouchon de radiateur est desserré ou mal fermé, la fuite d'eau pourrait se présenter, ce qui se traduit par une surchauffe éventuelle du moteur.
- Ne pas utiliser l'antigel et l'inhibiteur d'incrustation en même temps.

## [7] ÜBERPRÜFUNG UND WARTUNG

### (1) Tägliche Überprüfungspunkte

#### Überprüfung des Motorölstandes

1. Motor in horizontale Position bringen.
2. Zur Überprüfung des Ölstandes, den Ölmeßstab herausziehen, abwischen, wieder einstecken und nochmals herausziehen. Der Ölstand sollte zwischen den zwei Einkerbungen liegen.
3. Bei zu niedrigem Ölstand ist neues Öl bis zur vorgeschriebenen Höhe aufzufüllen.

#### ■ WICHTIG

- Bei Verwendung einer anderen Ölsorte oder eines Öls mit unterschiedlicher Viskosität, muß das gesamte alte Öl entfernt werden. Es dürfen niemals zwei unterschiedliche Ölsorten miteinander vermischt werden.

#### Überprüfung und Auffüllung des kühlwassers

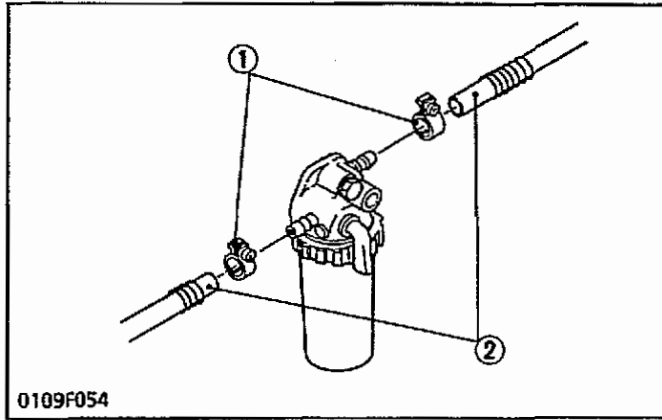
1. Die Kühlerverschlußkappe abschrauben und überprüfen, ob sich der Kühlwasserspiegel gerade unterhalb der Öffnung befindet.
2. Wenn er zu niedrig ist, reines Wasser und Frostschutzmittel nachfüllen.

#### ⚠ ACHTUNG

- Die Kühlerverschlußkappe erst dann entfernen, wenn die Kühlwassertemperatur unter den Siedepunkt abgesunken ist. Dann die Verschlußkappe leicht bis zum Anschlag lösen, um vor dem vollständigen Entfernen den übermäßigen Druck abzulassen.

#### ■ WICHTIG

- Darauf achten, daß die Kühlerverschraubung fest verschlossen wird. Wenn die Verschraubung lose oder unrichtig verschlossen ist, könnte Wasser auslaufen und der Motor überhitzt werden.
- Ein Frostschutzmittel und ein Kesselsteinverhütungsmittel nicht zur selben Zeit verwenden.

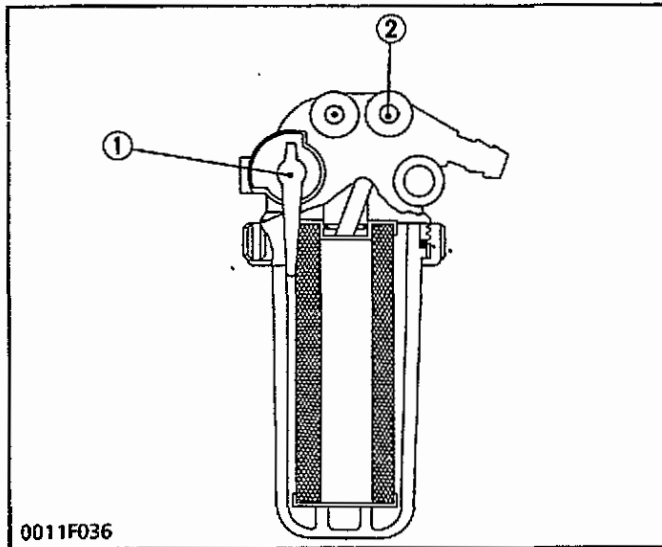
**(2) Check Point of Every 50 hours****Checking Fuel Pipe**

1. If the clamp (1) is loose, apply oil to the threads and securely retighten it.
2. The fuel pipe (2) is made of rubber and ages regardless of the period of service.  
Change the fuel pipe together with the clamp every two years.
3. However, if the fuel pipe and clamp are found to be damaged or deteriorate earlier than two years, then change or remedy.
4. After the fuel pipe and the clamp have been changed, bleed the fuel system.

**⚠ CAUTION**

- Stop the engine when attempting the check and change prescribed above.

- (1) Clamp  
(2) Fuel Pipe

**(When bleeding fuel system)**

1. Fill the fuel tank with fuel, and open the fuel cock (1).
2. Loosen the air vent plug (2) of the fuel filter a few turns.
3. Screw back the plug when bubbles do not come up any more.
4. Open the air vent cock on top of the fuel injection pump.
5. Retighten the plug when bubbles do not come up any more.

**■ NOTE**

- Always keep the air vent plug on the fuel injection pump closed except when air is vented, or it may cause the engine to stop.

- (1) Fuel Cock  
(2) Air Vent Plug

## (2) Point de verification de toutes les 50 heures

### Vérification des tuyaux de carburant

1. Si l'étrier (1) est desserré, enduire d'huile les filetages et bien le resserrer.
2. Le tuyaux de carburant (2) est en caoutchouc, il vieillit quelque soit la durée d'utilisation. Changer le tuyaux de carburant ainsi que l'étrier tous les deux ans.
3. Cependant, si l'on constate que le tuyaux de carburant et son étrier sont endommagés ou détériorés avant ces deux années, les changer ou les réparer.
4. Après le changement du tuyaux de carburant et de l'étrier, purger l'air du circuit d'alimentation.

### ATTENTION

- Mettre le moteur à l'arrêt pour effectuer les vérifications et changements prescrits ci-dessus.

- (1) Etrier  
(2) Tuyaux de carburant

### (Lors de la purge du circuit de carburant)

1. Remplir le réservoir à carburant et ouvrir le robinet d'alimentation (1).
2. Desserrer de quelques tours le bouchon de purge (2) du filtre à carburant.
3. Revisser le bouchon lorsqu'il n'y a plus de bulles d'air.
4. Ouvrir le robinet de purge d'air se trouvant sur la pompe d'injection.
5. Resserrer le bouchon lorsqu'il n'y a plus de bulles d'air.

### ■ NOTA

- Le robinet de purge d'air se trouvant sur la pompe d'injection doit toujours rester fermé, sauf pour la purge de l'air, sans quoi cela provoquerait l'arrêt du moteur.

- (1) Robinet d'alimentation  
(2) Bouchon de purge.

## (2) Überprüfungspunkt nach allen 50 Stunden

### Überprüfung der Kraftstoffleitung

1. Wenn sich die Klemme (1) gelöst hat, die Gewinde mit Öl einstreichen und die Klemme sorgfältig festziehen.
2. Die Kraftstoffleitung (2) besteht aus Gummi und unterliegt der Alterung, ungeachtet der Betriebsdauer. Die Kraftstoffleitung, gemeinsam mit der Klemme, alle 2 Jahre austauschen.
3. Wenn vor Ablauf von zwei Jahren eine Beschädigung oder Abnutzung der Kraftstoffleitung und der Klemmen festgestellt wird, müssen diese ausgetauscht oder repariert werden.
4. Nach erfolgtem Austausch der Kraftstoffleitung und der Klemme, muß das Kraftstoffsystem entlüftet werden.

### ACHTUNG

- Bei Durchführung der vorgeschriebenen Überprüfung und des Austauschs ist der Motor auszuschalten.

- (1) Klemme  
(2) Kraftstoffleitung

### (Beim Entlüften des Kraftstoffsystems)

1. Kraftstoff in den Kraftstoffbehälter einfüllen und den Kraftstoffhahn (1) öffnen.
2. Die Entlüftungsschraube (2) des Kraftstoff-Filters um einige Umdrehungen lösen.
3. Die Schraube wieder anziehen, wenn keine Luftblasen mehr austreten.
4. Den Entlüftungshahn am oberen Teil der Kraftstoffeinspritzpumpe öffnen.
5. Die Schraube wieder anziehen, wenn keine Luftblasen mehr austreten.

### ■ ANMERKUNG

- Außer bei einer Entlüftung, den Entlüftungshahn an der Kraftstoffeinspritzpumpe stets geschlossen halten. Anderenfalls besteht die Gefahr, daß der Motor ausgeschaltet wird.

- (1) Kraftstoffhahn  
(2) Entlüftungsschraube

### (3) Check Point of Every 100 hours

#### Changing Engine Oil

1. After warming up, stop the engine.
2. To change the used oil, remove the drain plug at the bottom of the engine and drain off the oil completely.
3. Reinstall the drain plug.
4. Fill the new oil up to the upper notch on the dipstick.

#### ■ IMPORTANT

- Engine oil should be MIL-L-46152/MIL-L-2104C or have properties of API classification CC/CD grades.
- Change the type of engine oil according to the ambient temperature.

Above 25°C (77°F)----- SAE 30 or 10W-30

0°C to 25°C (32°F to 77°F)----- SAE 20 or 10W-30

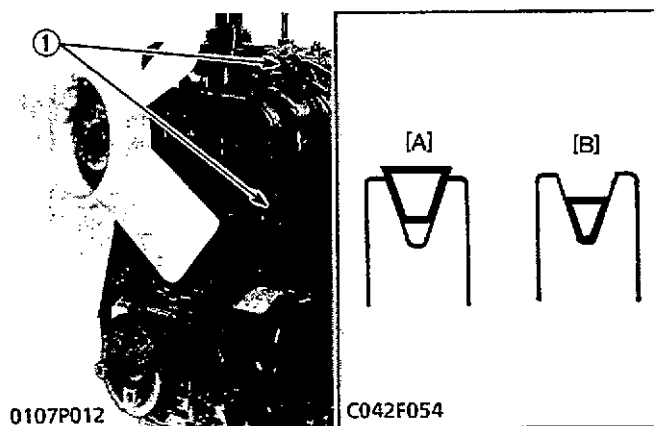
Below 0°C (32°F)----- SAE 10 W or 10W-30

#### Changing Engine Oil Filter Cartridge

1. Remove the oil filter cartridge with a filter wrench.
2. Apply engine oil to the rubber gasket on the new cartridge.
3. Screw the new cartridge in by hand.

#### ■ NOTE

- Over-tightening may cause deformation of rubber gasket.
- After cartridge has been replaced, engine oil normally decreases a little.  
Check the oil level and add new oil to the specified level.



0107P012

C042F054

#### Checking Fan Belt Tension and Checking Fan Belt

##### Damage

1. Check the fan belt for damage.
2. Check if the fan belt is worn and sunk in the pulley groove.
3. Replace the fan belt if the belt is damaged or nearly worn out and deeply sunk in the pulley groove.
4. Press the fan belt between fan pulley and pulley with your finger at force of 98N (10 kgf, 22 lbs).  
Check if the fan belt deflection is 7 to 9 mm (0.28 to 0.35 in.)
5. If the deflection is not within the factory specifications, adjust with the tension pulley adjusting bolts (1).

(1) Tension Pulley Adjusting Bolts

[A] Good

[B] Bad

### (3) Points de vérification de toutes 100 heures

#### Change d'huile moteur

1. Après avoir fait tourner le moteur à température, le mettre à l'arrêt.
2. Pour vidanger l'huile usagée, enlever le bouchon de vidange se trouvant au bas du moteur et laisser l'huile s'écouler complètement.
3. Remettre le bouchon de vidange.
4. Remplir de l'huile neuve jusqu'à ce qu'elle atteigne le trait supérieur de la jauge.

#### ■ IMPORTANT

- L'huile moteur doit être MIL-L-461452/IL-L-2104C ou a des propriétés conformes aux degrés CC/CD API.
- Changer le type d'huile moteur en fonction de la température ambiante.  
 Plus de 25°C ----- SAE 30 ou 10W-30  
 0°C à 25°C ----- SAE 20 ou 10W-30  
 Moins de 0°C ----- SAE 10W ou 10W-30

#### Renouvellement de la cartouche du filtre à huile moteur

1. Enlever la cartouche de filtre à huile à l'aide d'une clef pour filtre.
2. Enduire d'huile moteur le joint en caoutchouc de la cartouche neuve.
3. A la main, visser la cartouche neuve en place.

#### ■ NOTA

- Un excès de serrage peut déformer le joint en caoutchouc.
- Après le remplacement de la cartouche, il est normal d'avoir une légère baisse de l'huile moteur. Vérifier le niveau d'huile et faire l'appoint jusqu'au niveau spécifié.

#### Vérification la tension de courroie de ventilateur et vérification l'état de la courroie de ventilateur

1. Vérifier si la courroie de ventilateur est endommagée.
2. Vérifier si la courroie de ventilateur est usée et enfoncée dans la gorge de la poulie.
3. Remplacer la courroie de ventilateur si elle est endommagée, ou sérieusement usée et enfoncée profondément dans la gorge de la poulie.
4. Appuyer sur la courroie de ventilateur au doigt entre la poulie de ventilateur et la poulie avec une force de 98N (10 kgf). Vérifier si la tension de la courroie de ventilateur est de 7 à 9 mm.
5. Si la tension ne concorde pas avec les valeurs de référence, l'ajuster au moyen de l'avis de réglage (1) de la poulie de tension.

(1) Vis de réglage

[A] Correct

[B] Incorrect

### (3) Überprüfungspunkte nach allen 100 Stunden

#### Austausch des Motoröls

1. Motor warm laufen lassen und dann ausschalten.
2. Um das alte Öl zu wechseln, die Ablasschraube am Motorboden entfernen und das Öl vollständig ablassen.
3. Die Ablasschraube wieder einsetzen.
4. Neues Öl bis zur oberen Einkerbung des Ölmeßstabes einfüllen.

#### ■ WICHTIG

- MIL-L-46152/MIL-L-2104C oder ein Motoröl die der API-Klasse CC/CD Güte entspricht ist zu verwenden.  
 Die Motorölsorte gemäß der Umgebungstemperatur wechseln.  
 Über 25°C ----- SAE 30 oder 10W-30  
 0°C bis 25°C ----- SAE 20 oder 10W-30  
 Unterhalb von 0°C ----- SAE 10W oder 10W-30

#### Austausch der Motorölfilterpatrone

1. Die Ölfilterpatrone mit einem Filterschlüssel entfernen.
2. Motoröl auf die Gummidichtung der neuen Patrone auftragen.
3. Die neue Patrone von Hand einschrauben.

#### ■ ANMERKUNG

- Durch übermäßiges Anziehen kann die Gummidichtung beschädigt werden.
- Nach Austausch der Patrone sinkt das Motoröl normalerweise ein wenig ab. Ölstand prüfen und neues Öl bis zur vorgeschriebenen Höhe einfüllen.

#### Überprüfung der Lüfterriemenspannung und

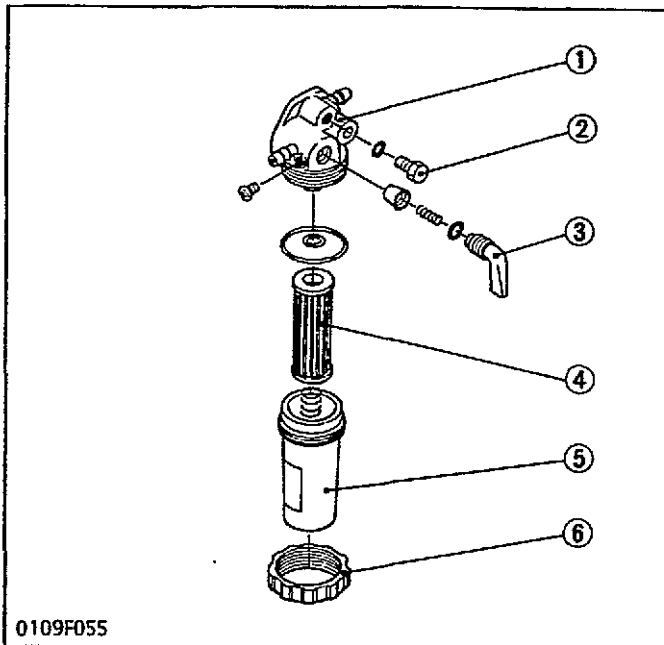
#### Überprüfung auf Beschädigung des Lüfterriemens

1. Den Lüfterriemen auf Beschädigung überprüfen.
2. Überprüfen, ob der Lüfterriemen abgenutzt und in die Scheibenrille versenkt ist.
3. Den Lüfterriemen auswechseln wenn der Riemen beschädigt, bzw. stark abgetragen und in die Scheibenrille tief versenkt ist.
4. Auf den Lüfterriemen zwischen der Lüfterriemenscheibe und Spannrolle mit dem Finger mit einer Kraft von 98N (10 kp) drücken. Überprüfen, ob die Durchsenkung des Lüfterriemens zwischen 7 bis 9 mm beträgt.
5. Ist die Durchsenkung nicht innerhalb die Werkdatenliefe, die Spannung mit der Spannrollen-Einstellbolzen (1) berichtigen.

(1) Spannrollen Einstellbolzen

[A] Gut

[B] Schlecht



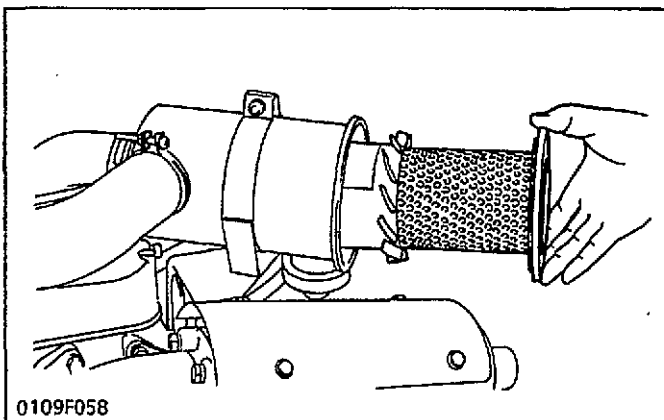
### Cleaning Fuel Filter

1. Close the fuel filter cock (3).
2. Unscrew the screw ring (6) and remove the cup (5), and rinse the inside with kerosene.
3. Take out the element (4) and dip it in the kerosene to rinse.
4. After cleaning, reassemble the fuel filter, keeping out dust and dirt.
5. Bleed the fuel system.

#### ■ IMPORTANT

- If dust and dirt enter the fuel, the fuel injection pump and injection nozzle will wear quickly. To prevent this, be sure to clean the fuel filter cup periodically.

- (1) Cock Body  
 (2) Air Vent Plug  
 (3) Filter Cock  
 (4) Filter Element  
 (5) Filter Cup  
 (6) Screw Ring



### Cleaning Air Cleaner

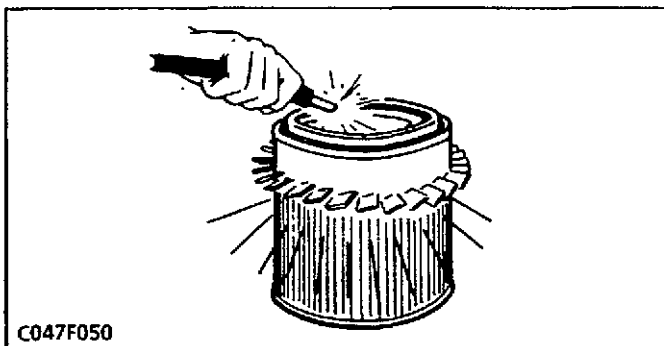
1. The air cleaner uses a dry element. Never apply oil to it.
2. Remove and clean out the dust cup before it becomes half full with dust.
3. When the air filter element is dusty, clean it.

#### ■ NOTE

- Change the element once a year or every 6th cleaning.

#### ■ IMPORTANT

- Install the air cleaner dust cup with "TOP" indicated on the rear of the cup in the upside. If the dust cup is mounted incorrectly, dust or dirt does not collect in the cup, and direct attachment of the dust to the element will cause its life time to shorten to a great extent.



### Cleaning Air Filter Element

- **When dry dust adheres**  
 Use clean dry compressed air on the inside of the element.  
 Air pressure at the nozzle must not exceed 690 kPa (7 kgf/cm<sup>2</sup>, 100 psi).  
 Maintain reasonable distance between the nozzle and the filter.

**Nettoyage du filtre à carburant**

1. Fermer le robinet de filtre à carburant (3).
2. Dévisser la bague filetée (6), enlever la cuve du filtre (5) et rincer l'intérieur avec du Kérosène.
3. Retirer l'élément (4) et le plonger dans du Kérosène pour le nettoyer.
4. Après le nettoyage, remonter le filtre à carburant à l'abri de la poussière et de la saleté.
5. Purger l'air du circuit d'alimentation.

**■ IMPORTANT**

- Si de la poussière ou de la saleté pénètre dans le carburant, la pompe et les injecteurs sont exposés à une usure prématurée. Pour empêcher ce risque, veiller à nettoyer périodiquement la cuve du filtre à carburant.

- (1) Corps de robinet  
 (2) Bouchon de vidange d'air  
 (3) Robinet de filtre  
 (4) Élément de filtre  
 (5) Cuve de filtre  
 (6) Bague filetée

**Nettoyage du filtre à air**

1. Le filtre à air utilise un élément sec. Ne jamais l'enduire d'huile.
2. Déposer et nettoyer la cuvette poussière avant qu'elle ne soit à moitié remplie de poussières.
3. Lorsque l'élément de filtre à air est poussiéreux, le nettoyer.

**■ NOTA**

- Changer l'élément tous les ans ou tous les 6 nettoyages.

**■ IMPORTANT**

- Installer la cuvette poussière de filtre à air de telle façon que "TOP" indiqué sur l'arrière de la cuvette se trouve en haut.  
 Si la cuvette poussière est incorrectement montée, les poussières ou souillures ne sont pas collectées dans la cuvette, et une adhésion directe de poussières à l'élément pourra conduire à un raccourcissement considérable de la longévité.

**Nettoyage de l'élément du filtre à air**

- En cas d'adhésion de poussières sèches insuffler de l'air comprimé sec et propre vers l'intérieur de l'élément.  
 La pression d'air à la buse ne doit pas excéder 690 kPa (7 kgf/cm<sup>2</sup>, 6,9 bar).  
 Maintenir une distance adéquate entre la buse et le filtre.

**Reinigung des Kraftstoff-Filter**

1. Den Kraftstoff-Filterhahn (3) schließen.
2. Den Schraubenring (6) lösen, die Filterschalen (5) entfernen und die Innenfläche mit Kerosin ausspülen.
3. Den Filtereinsatz (4) herausnehmen und zur Reinigung in Kerosin eintauchen.
4. Nach erfolgter Reinigung, den Kraftstoff-Filter erneut einsetzen. Hierbei ist darauf zu achten, daß kein Staub und Schmutz in den Filter gelangt.
5. Das Kraftstoffsystem entlüften.

**■ WICHTIG**

- Wenn Staub und Schmutz in den Kraftstoff gelangt, so besteht die Gefahr eines schnellen Verschleißes der Kraftstoff-Einspritzpumpe und der Einspritzdüse. Um dies zu verhindern, muß die Filterschale regelmäßig gereinigt werden.

- (1) Kraftstoffhahnkörper  
 (2) Entlüftungsschraube  
 (3) Filterhahn  
 (4) Filtereinsatz  
 (5) Filterschale  
 (6) Schraubenring

**Reinigung des Luftfilters**

1. Der Luftfilter verwendet einen trockenen Einsatz. Niemals Öl auf ihn auftragen.
2. Die Staubschale entfernen und reinigen bevor sie halbvoll mit Staub ist.
3. Den Luftfilter-Einsatz reinigen wenn er staubig ist.

**■ ANMERKUNG**

- Den Einsatz einmal im Jahr oder nach jeder 6. Reinigung austauschen.

**■ WICHTIG**

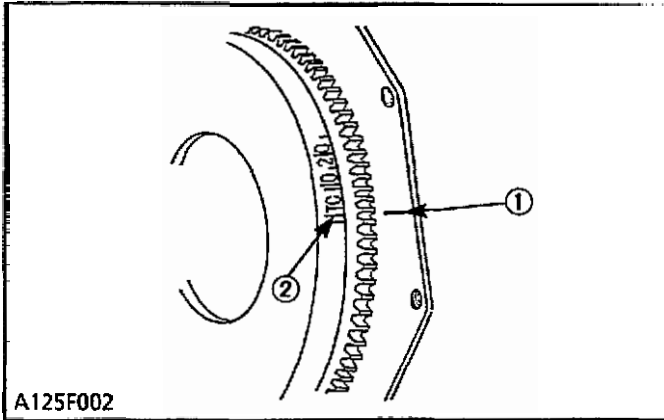
- Die Staubschale des Luftfilters so einbauen, daß die "TOP"-Marke am Rückteil der Schale nach oben weist.  
 Ist die Staubschale falsch eingebaut, wird in der Schale kein Staub angesammelt und durch die direkte Staubanhaftung wird die Lebensdauer des Einsatzes wesentlich verkürzt.

**Reinigung des Luftfiltereinsatzes**

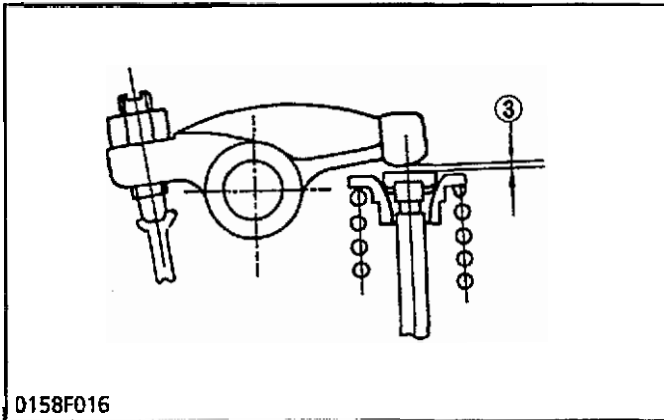
- Wentrockener Staub anhaftet  
 Den Einsatz aus der Innenseite mit reiner Druckluft durchblasen.  
 Der Luftdruck an der Düse darf 690 kPa (7 kp/cm<sup>2</sup>, 6,9 bar) nicht überschreiten.  
 Einen angemessenen Abstand zwischen der Düse und dem Filter aufrechterhalten.



**(4) Check Point of Every 800 hours**



A125F002



D158F016

**Checking Valve Clearance**

**IMPORTANT**

● Valve clearance must be checked and adjusted when engine is cold.

1. Remove the head cover.
2. Align the "1TC" mark on the flywheel and notched mark (2) on the plate so that the No. 1 piston comes to the compression or overlap top dead center.
3. Check the following valve clearance marked with "o" using a feeler gauge.
4. If the clearance is not within the factory specifications, adjust with the adjusting screw.

Valve clearance	Factory spec.	0.145 to 0.185 mm 0.0059 to 0.0073 in.
-----------------	---------------	---

**NOTE**

- The "TC" marking on the flywheel is just for No. 1 cylinder. There is no "TC" marking for the other cylinders.
- No. 1 piston comes to the T.D.C. position when the "TC" marking is aligned with the punch mark of the rear end plate. Turn the flywheel 15° (0.26 rad.) clockwise and counter-clockwise to see if the piston is at the compression top dead center or the overlap position. Now referring to the table below, readjust the valve clearance. (The piston is at the top dead center when both the In. and EX valves do not move; it is at the overlap position when both the valves move.)
- Finally turn the flywheel 360° (6.28 rad.) to make sure the "TC" marking and the punch mark are perfectly aligned. Adjust all the other valve clearances as required.
- After turning the flywheel counterclockwise twice or three times, recheck the valve clearance.
- After adjusting the valve clearance, firmly tighten the lock nut of the adjusting screw.

Engine Model	Valve arrangement	Z500-B Z600-B ZH600-B		D650-B, D750-B D850-B, DH850-B D950-B		V1100-B VH1100-B V1200-B	
		IN.	EX.	IN.	EX.	IN.	EX.
When No. 1 piston is compression top dead center	1st	o	o	o	o	o	o
	2nd		o		o	o	
	3rd			o			o
	4th						
When No. 1 piston is overlap position	1st						
	2nd	o		o			o
	3rd				o	o	
	4th					o	o

### (4) Point de verification de toutes les 800 heures

#### Verification du jeu des soupapes

**■ IMPORTANT**

- Le jeu des soupape doit être réglé suivant les besoins avec le moteur froid.

- Déposer le couvre-culasse.
- Aligner la marque "1TC" sur le volant et la marque entaillée (2) sur la plaque sur sorte de piston N° 1 se trouve au point mort haut de la compression ou le chevauche.
- Vérifier le jeu aux soupapes suivant marqup par "o" en utilisant un calibre d'épaisseur.
- Si le jeu n'est pas compris dans la gamme de valeurs de référence, régler à l'aide de la vis de réglage.

Jue des soupapes (à froie)	Valeur de référence	0,145 à 0,185 mm
----------------------------	---------------------	------------------

**■ NOTA**

- Le marquage "TC" sur le volant n'est que pour le cylindre No. 1 il n'y a pas de marquage "TC" pour les autres cylindres.
- Le piston No. 1 passe à la position P.M.H. (point mort haut) lorsque la marquage "TC" est aligné avec le repère poinçonné de la plaque de fond arrière. Tourner le volant de 15° (0,26 rad) dans le sens des aiguilles d'une montre, puis dans le sens inverse pour vérifier si le piston est au point mort haut de la compression ou à la position de juxtaposition. En se référent maintenant au tableau ci-dessous, refaire le réglage du jeu des soupapes. (Le piston est au point mort haut lorsque les deux soupapes "ADM." et "ECH." ne bougent pas, il est à la position de juxtaposition lorsque les deux soupapes se déplacent.)
- Enfin, tourner le volant de 360° (6,28 rad) pour s'assurer que le marquage "TC" et le repère poinçonné sont parfaitement alignés. Régler tous les autres jeux de soupapes dans la mesure des nécessités.
- Après avoir tourné le volant dans le sens inverse des aiguilles d'une montre à deux ou trois reprises, vérifier à nouveau le jeu de soupape.
- Après avoir réglé le jeu de soupape, serrer fermement le contre-écrou de vis de réglage.

Modèle de moteur Disposition des soupapes Cylindre ajustable Emplacement du piston		Z500-B Z600-B ZH600-B		D650-B,D750-B D850-B, DH850-B D950-B		V1100-B VH1100-B V1200-B	
		ADM.	ECH.	ADM.	ECH.	ADM.	ECH.
Lorsque le piston N° 1 est au point mort haut de compression	1ère	○	○	○	○	○	○
	2ème		○		○	○	
	3ème			○			○
	4ème						
Lorsque le piston N° 1 et à la position de juxtaposition	1ère						
	2ème	○		○			○
	3ème				○	○	
	4ème					○	○

- (1) Marque entaillée (2) Repère TC (3) Jeu aux soupapes

### (4) Überprüfungspunkte nach allen 800 Stunden

#### Überprüfung des Ventilspiels

**■ WICHTIG**

- Das Ventilspiel bei kaltem Motor gemessen und eingestellt werden.

- Entfernen Sie die Zylinderkopfverkleidung.
- Die Markierung "1TC" auf der Schwungscheibe ausrichten und Eingekehrten Teil (2) so auf der Platte einstenzen, daß sich der Kolben Nr. 1 im Kompressionshub befindet oder don oberen Totpunkt überlappt.
- Das mit "o" gekennzeichnete Ventilspiel mit Hilfe einer Fühlerlehre messen.
- Das Spiel mit der Stellschraube berichtigen wenn es nicht innerhalb der vorgeschriebenen Werkdaten ist.

Ventilspiel (Kalt)	Werkdaten	0,145 bis 0,185 mm
--------------------	-----------	--------------------

**■ ANMERKUNG**

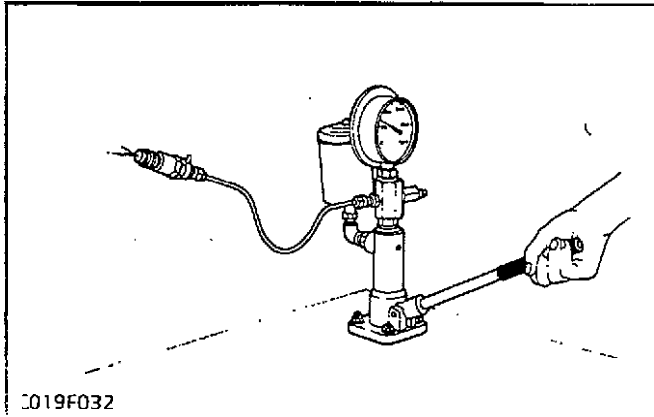
- Die "TC"-Marke auf der Schwungscheibe gilt nur für den Zylinder Nr. 1. Für die anderen Zylinder gibt es keine "TC"-Markierung.
- Wenn die "TC"-Marke mit der Stanzmarkierung der hinteren Scheibe ausgerichtet ist, befindet sich der Kolben Nr. 1 im OT. Nun die Schwungscheibe um 15° (0,26 rad) nach rechts bzw. nach links drehen, um zu prüfen, ob sich der Kolben im OT (Kompressionsposition) oder in der Überlappungsposition befindet. (Der Kolben befindet sich im OT, wenn sich die Einläu- und Ausläuventile nicht bewegen. Wenn sich beide Ventile bewegen, ist der Kolben in der Überlappungsposition.)
- Die Schwungscheibe schließlich um 360° (6,28 rad) drehen, um sicherzustellen, daß die "TC"-Marke und die Stanzmerke präzise miteinander ausgerichtet sind. Sämtliche Ventilspiele müssen auf den Sollwert eingestellt werden.
- Das Schwungrad zweimal oder dreimal entgegen dem Uhrzeigerlauf drehen und das Ventilspiel nachprüfen.
- Nach Einstellung des Ventilspiels, die Sicherungsmutter der Stellschraube festziehen.

Motor-Modell Ventilanordnung Einstellbarer Zylinder Kolbenposition	Z500-B Z600-B ZH600-B		D650-B,D750-B D850-B,DH850-B D950-B		V1100-B VH1100-B V1200-B	
	EIN	AUS	EIN	AUS	EIN	AUS
Bei oberer Totpunkt der Kompression des Kolben Nr. 1	1.	○	○	○	○	○
	2.		○		○	
	3.			○		○
	4.					
Wenn sich der Kolben Nr. 1 in der Überlappungsposition befindet	1.					
	2.	○		○		○
	3.				○	○
	4.					○

- (1) Eingekehrten Teil (2) TC-Markierung (3) Ventilspiel

**(5) Check Points of 1000 hours****⚠ CAUTION**

- Check the nozzle injection pressure and condition after confirming that there is nobody standing in the direction the fume goes. If the fume from the nozzle directly contacts the human body, cells may be destroyed and blood poisoning may be caused.

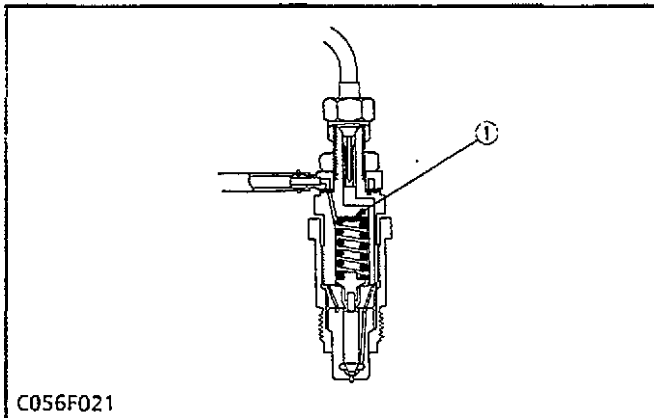
**Checking Nozzle Injection Pressure**

1. Set the injection nozzle to the nozzle tester Code No: 07909-31361).
2. Slowly move the tester handle to measure the pressure at which fuel begins jetting out from the nozzle.
3. If the measurement is not within the factory specifications, disassemble the injection nozzle, and change adjusting washer (1) until the proper injection pressure is obtained. (See page 5-117)
4. If the spraying condition is defective, replace the nozzle piece.

**(Reference)**

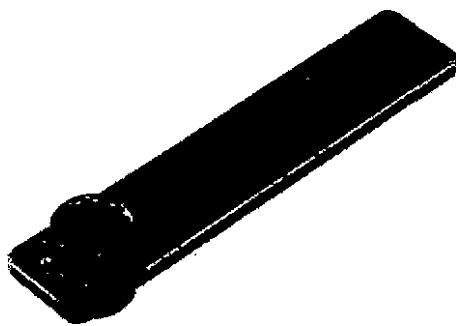
- Pressure variation with 0.1 mm (0.0039 in.) difference of adjusting washer thickness.  
Approx. 981 kPa (10 kgf/cm<sup>2</sup>, 142 psi)

(1) Adjusting Washer

**Socket Wrench 29**

Code No: 07916-31841

Application: Use to take off and to fix the crankshaft nut of diesel engine.



0107F047

**(5) Point de verification de toutes les 1000 heures****⚠ ATTENTION**

- Vérifier la pression et l'état d'injecteur après s'être assuré que personne ne se trouve dans la direction de pulvérisation de carburant. Si le carburant pulvérisé en provenance de l'injecteur vient directement en contact avec le corps humain, les cellules risquent d'être détruites, provoquant une intoxication de sang.

**Verification de la pression d'injecteur**

1. Fixer l'injecteur sur l'appareil d'essai pour injecteurs (Référence: 07909-31361).
2. Déplacer la poignée de l'appareil d'essai pour mesurer la pression à laquelle le carburant commence à gicler de l'injecteur.
3. Si la valeur mesurée n'est pas comprise dans la gamme de valeurs de référence, démonter l'injecteur et remplacer la rondelle de réglage (1) jusqu'à obtenir la pression d'injection appropriée.
4. Si la pulvérisation est mauvaise, remplacer la pièce de l'injecteur.

**(Référence)**

- Variation de pression avec 0,1 mm de différence d'épaisseur de rondelle de réglage.  
Environ 981 kPa (10 kgf/cm<sup>2</sup>, 9,81 bar)

(1) Rondelle de réglage

**[8] OUTILS SPECIAUX****Extracteur de volant**

Référence: 07916-32011

Utilisation: Sert à la dépose du volant.

**(5) Überprüfungspunkt nach allen 1000 Stunden****⚠ ACHTUNG**

- Zuerst sicherstellen, daß sich keine Personen in der Spritzstrahlrichtung befinden und dann den Düseneinspritzdruck und -Zustand überprüfen. Kommt ein Spritzstrahl aus der Düse mit einem Menschenkörper in Berührung, könnte eine Zellenzerstörung oder eine Blutvergiftung verursacht werden.

**Überprüfung des Einspritzdruckes**

1. Die Einspritzdüse an das Düsenprüfgerät anschließen (Code Nr: 07909-31361).
2. Den Testgeräthandgriff langsam bewegen, um den Druck messen bei welchem Kraftstoff aus der Düse herauszuspritzen beginnt.
3. Liegt die Messung nicht innerhalb die Werkdaten liegt, die Einspritzdüse zerlegen und die Einstellscheibe (1) wechseln, bis der richtige Druck erhalten wird.
4. Wenn diese nicht einwandfrei ist, das Düsenteil austauschen.

**(Referenz)**

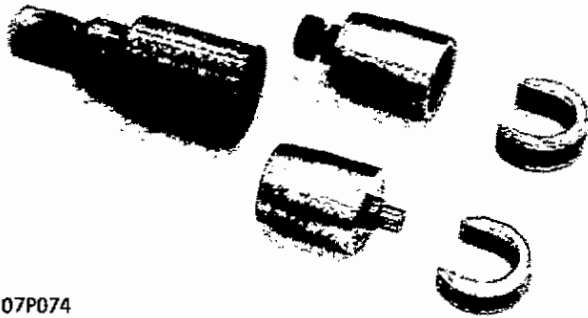
- Druckänderung mit einem Unterschied von 0,1 mm in der Einstellscheibendicke.  
ca. 981 kPa (10kp/cm<sup>2</sup>, 9,81 bar)

(1) Einstellscheibe

**[8] SPEZIALWERKZEUGE****Schwungradabziehwerkzeug**

Code Nr: 07916-32011

Benutzung: Zum Schwungradausbau.

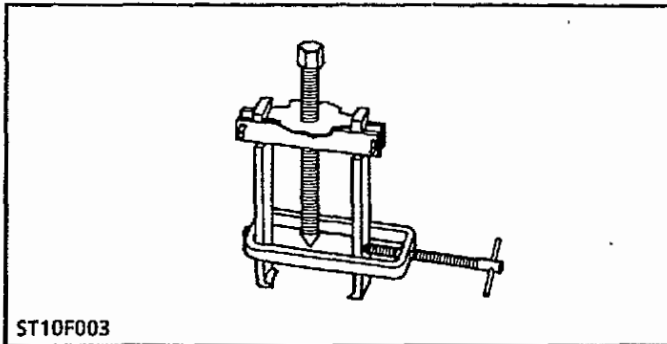


0107P074

**Auxiliary Socket For Fixing Crankshaft Sleeve**

Code No: 07916-33011

Application: Use to fix the crankshaft sleeve of the diesel engine.

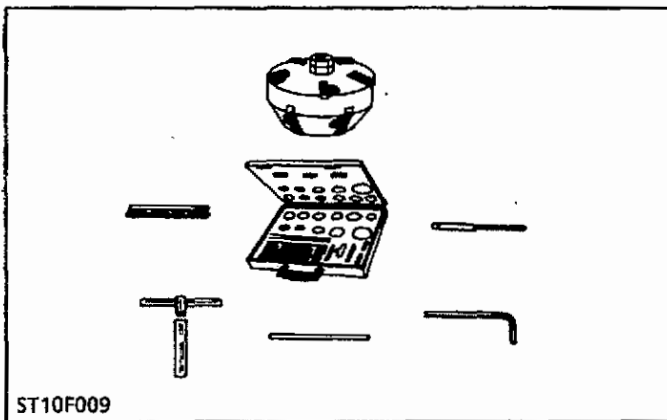


ST10F003

**Special-use Puller Set**

Code No: 07916-09032

Application: Use for pulling out bearings, gears and other parts.

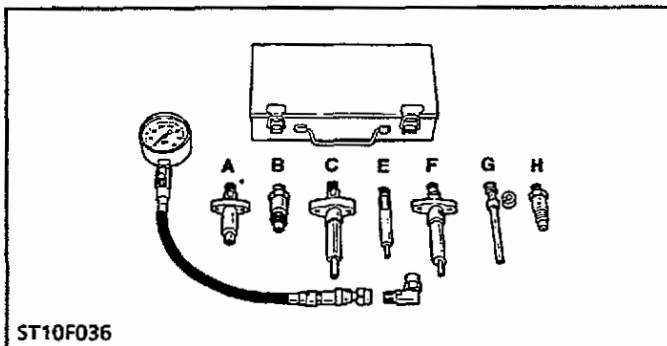


ST10F009

**Valve Seat Cutter Set**

Code No: 07909-33102

Application: Use for correcting valve seats.



ST10F036

**Diesel Engine Compression Tester**

Code No: 07909-30208

Application: Use for measuring diesel engine compression pressure.

**Outil pour la fixation de la coupelle de vilebrequin**

Référence: 07916-33011  
Utilisation: Sert uniquement à fixer la coupelle de vilebrequin de moteurs Diesel.

**Hilfsmuffe zur Befestigung der Kurbelwellenbuchse**

Code Nr: 07916-33011  
Benutzung: Zum Befestigen der Kurbelwellenbuchse des Dieselmotors.

**Extracteur à usage spécial**

Référence: 07916-09032  
Utilisation: Sert à l'extraction des roulements, des pignons et d'autres pièces.

**Special-Abziehvorrichtung**

Code Nr: 07916-09032  
Benutzung: Zum Abziehen von Lagern, Zahnrädern und anderen Teilen.

**Fraiseuse**

Référence: 07909-33102  
Utilisation: Sert pour rectifier les sièges de soupape.

**Ventilsitzschneider**

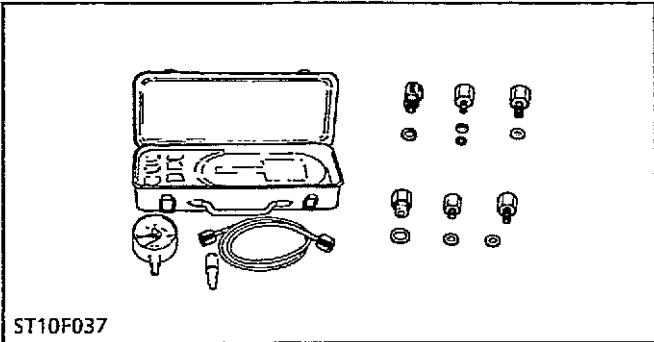
Code Nr: 07909-33102  
Benutzung: Zum Ausfräsen von Ventilen.

**Compressiomètre pour moteur diesel**

Référence: 07909-30208  
Utilisation: Sert à mesurer la compression de moteurs diesel.

**Kompressionsprüfgerät für Dieselmotoren**

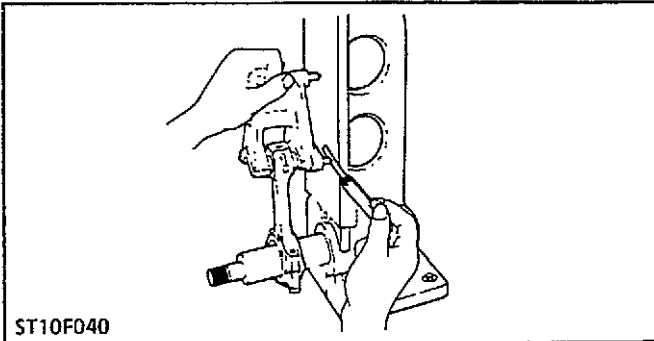
Code Nr: 07909-30208  
Benutzung: Zum Messen der Kompression von Dieselmotors.



**Oil Pressure Tester**

Code No: 07916-32031

Application: Use for measuring lubricating oil pressure.

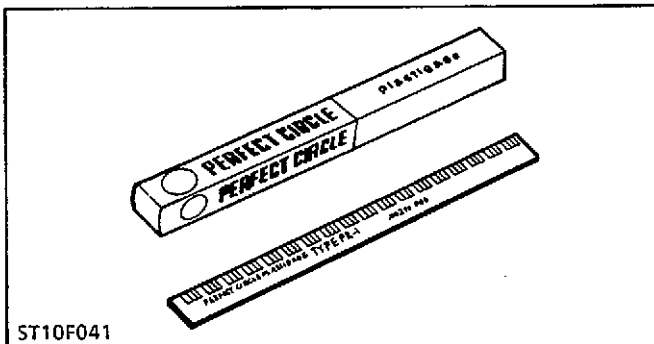


**Connecting Rod Alignment Tool**

Code No: 07909-31661

Application: Use for checking the connecting rod alignment.

Applicable: Connecting rod big end I.D. 30 to 75 mm (1.18 to 2.95 in. dia.) Connecting rod length 65 to 330 mm (2.56 to 12.99 in.)



**Press Gauge**

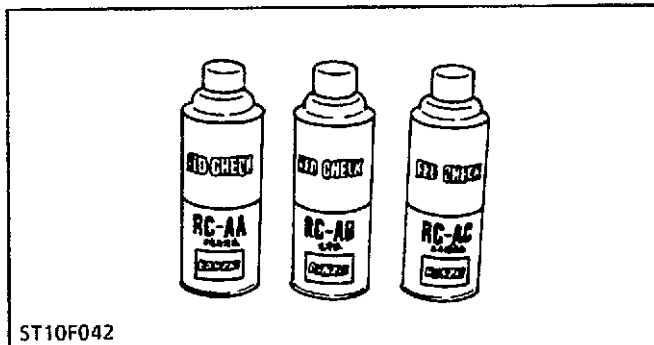
Code No: 07909-30241

Application: Use for checking the oil clearance between crankshaft and bearing, etc.

Measuring range: Green — 0.025 to 0.076 mm (0.001 to 0.003 in.)

Red — 0.051 to 0.152 mm (0.002 to 0.006 in.)

Blue — 0.102 to 0.229 mm (0.004 to 0.009 in.)



**Red Check (Crack check liquid)**

Code No: 07909-31371

Application: Use for checking cracks on cylinder head, cylinder block, etc.

**Manomètre de pression d'huile**

Référence: 07916-32031  
 Utilisation: Sert à mesurer la pression d'huile de lubrification.

**Öldruckprüfgerät**

Code Nr: 07916-32031  
 Benutzung: Zum Messen des schmieröldruckes.

**Outil d'alignement de bielles**

Référence: 07909-31661  
 Utilisation: Sert à vérifier l'alignement des bielles.  
 Application: Pour tête de bielles d'un diamètre intérieur de 30 à 75 mm  
 Longueur des bielles 65 à 330 mm

**Werkzeug für die Ausrichtung der Pleuelstangen**

Code Nr: 07909-31661  
 Benetzung: Zur Überprüfung der Ausrichtung der Pleuelstange.  
 Anwendbarer: Pleuelstangenfuß,  
 Bereich Innendurchmesser 30 bis 75 mm  
 Länge der Pleuelstange 65 bis 330 mm

**Jauge plastique**

Référence: 07909-30241  
 Utilisation: Sert à vérifier le jeu de marche entre le vilebrequin et le palier, etc.  
 Plage de mesure: Vert ——— 0,025 à 0,076 mm  
 Rouge ——— 0,051 à 0,152 mm  
 Bleu ——— 0,102 à 0,229 mm

**Preßmeßgerät**

Code Nr: 07909-30241  
 Benetzung: Zur Überprüfung des Ölspiels zwischen kurbelwelle und Lager usw.  
 Meßbereich: Grün ——— 0,025 bis 0,076 mm  
 Rot ——— 0,051 bis 0,152 mm  
 Blau ——— 0,102 bis 0,229 mm

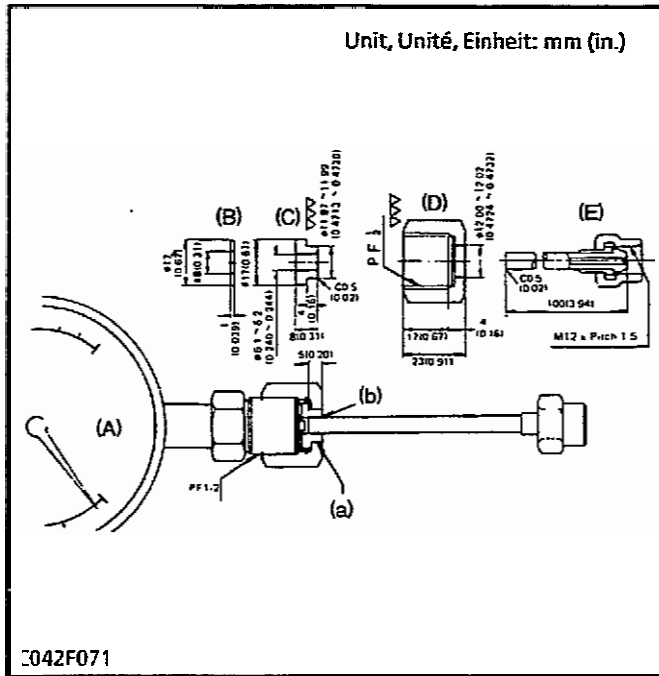
**Liquide de vérification de fissure (Vérification en rouge)**

Référence: 07909-31371  
 Utilisation: Sert à rechercher les fissures de la culasse, du bloc-moteur, etc.

**Flüssigkeit zur Ermittlung von Rissen**

Code Nr: 07909-31371  
 Benetzung: Zur Ermittlung von Rissen an Zylinderköpf, Zylinderblock usw.





**NOTE**

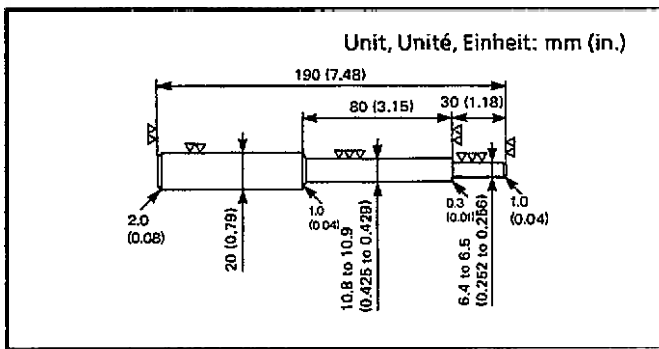
- The following special tools are not provided, so make them referring to the figures.

**Injection Pump Pressure Tester**

Application: Use for checking fuel tightness of the injection pump.

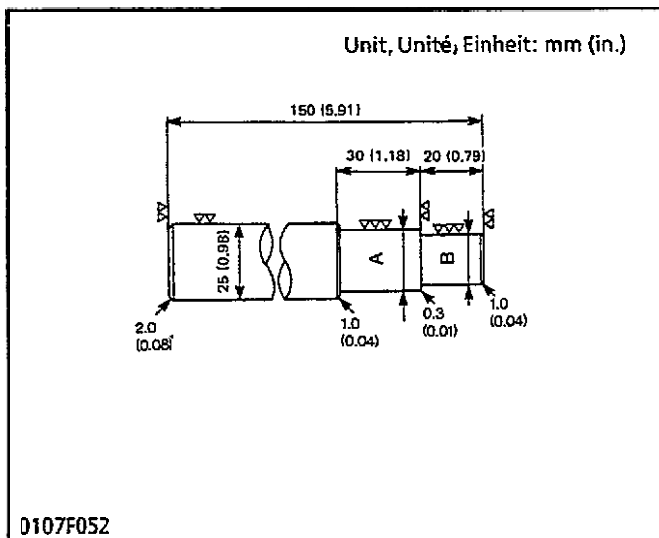
A	Pressure gauge Full scale: More than 29.4 MPa (300 kgf/cm <sup>2</sup> , 4267 psi)
B	Copper gasket
C	Flange (Material: Steel)
D	Hex. nut 27 mm (1.06 in.) across the flat (Material: Steel)
E	Injection Pipe

- (a) Adhesive application
- (b) Fillet welding on the enter circumference



**Valve Guide Replacing Tool**

Application: Use to press out and to press fit the valve guide.



**Idle gear Bushing Replacing Tool**

Application: Use to press out and to press fit the idle gear bushing.

Bushing I.D.	A	B
18 mm 0.7087 in.	19.90 to 19.95 mm 0.7835 to 0.7854 in.	17.90 to 17.95 mm 0.7047 to 0.7067 in.
24 mm 0.9449 in.	25.90 to 25.95 mm 1.0197 to 1.0217 in.	23.90 to 23.95 mm 0.9409 to 0.9429 in.
30 mm 1.1811 in.	31.90 to 31.95 mm 1.2559 to 1.2579 in.	29.90 to 29.95 mm 1.1772 to 1.1791 in.

### ■ NOTA

- Les outils spéciaux suivants ne sont pas fournis, aussi faut-il les fabriquer à l'aide des figures.

#### Manomètre de pression de la pompe d'injection

Utilisation: Sert à vérifier l'étanchéité au carburant des pompes d'injection.

A	Jauge de pression Échelle complète: Plus de 29,4 MPa (300 kgf/cm <sup>2</sup> , 294 bar)
B	Joint en cuivre
C	Bride (Matériau: Acier)
D	Ecrou hexagonal, enfoncé à 27 mm (Matériau: Acier)
E	Conduit d'injection

(a) Adhésif

(b) Soudure à la circonférence d'entrée

#### Outil de remplacement de guides de soupape

Utilisation: Sert à extraire et à monter à pression le guide de soupape.

#### Outil de remplacement de bague de pignon de renvoi

Utilisation: Sert à extraire et à monter à pression la bague de pignon de renvoi.

D.I. de bague	A	B
18 mm	19,90 à 19,95 mm	17,90 à 17,95 mm
24 mm	25,90 à 25,95 mm	23,90 à 23,95 mm
30 mm	31,90 à 31,95 mm	29,90 à 29,95 mm

### ■ ANMERKUNG

- Die folgenden Spezialwerkzeuge werden nicht mitgeliefert. Diese sind anhand der Abbildungen anzufertigen.

#### Druckmesser für Einspritzpumpe

Benutzung: Zur Überprüfung der Kraftstoffdichtigkeit von Einspritzpumpen.

A	Druckanzeige Natürliche Größe: Über 29,4 MPa (300 kp/cm <sup>2</sup> , 294 bar)
B	Kupferdichtung
C	Flansch (Material: Stahl)
D	27 mm Sechskantmutter (Material: Stahl)
E	Einspritzleitung

(a) Anhaftend

(b) Hohlkehlschweiße am Eintrittsumkreis

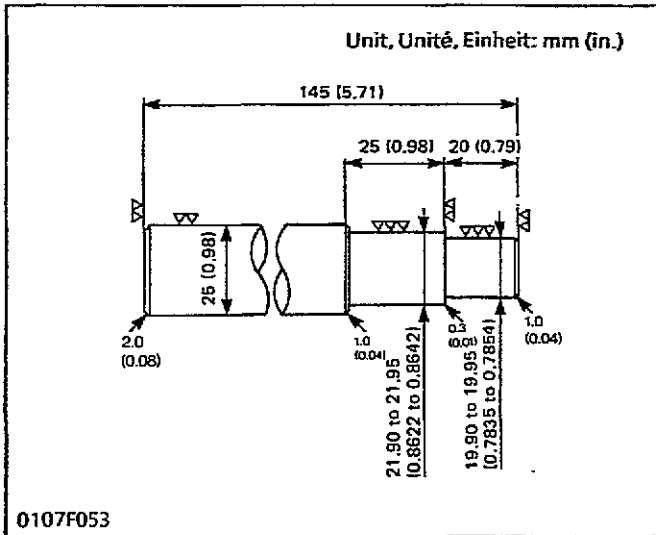
#### Werkzeug für den Austausch von Ventildführungen

Benutzung: Zum Herausdrücken und Einpassen der Ventildführung.

#### Werkzeug für den Austausch der Leerlaufbuchse

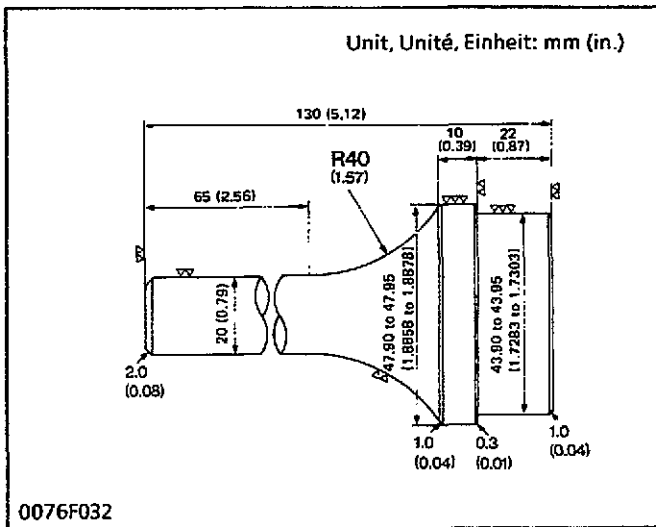
Benutzung: Zum Herausdrücken und Einpassen der Leerlaufbuchse.

Leerlaufbuchse Innendurchmesser	A	B
18 mm	19,90 bis 19,95 mm	17,90 bis 17,95 mm
24 mm	25,90 bis 25,95 mm	23,90 bis 23,95 mm
30 mm	31,90 bis 31,95 mm	29,90 bis 29,95 mm



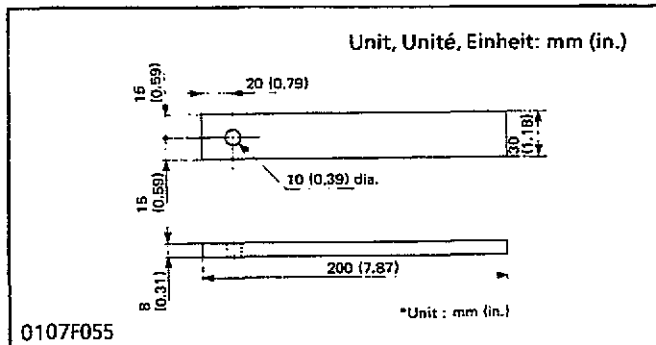
**Small End Bushing Replacing Tool**

Application: Use to press out and to press fit the small end bushing.



**Crankshaft Bearing 1 Replacing Tool**

Application: Use to press out and to press fit the crankshaft bearing 1.



**Flywheel Stopper**

Application: Use to loosen and tighten the flywheel screw.

**Outil de remplacement de coussinet de pied de bielle**

Utilisation: Sert à extraire et à monter à pression le coussinet de pied de bielle.

**Werkzeug für den Austausch der Pleuelbuchse**

Benutzung: Zum Herausdrücken und Einpassen der Pleuelbuchse.

**Outil de remplacement de coussinet 1 de vilebrequin**

Utilisation: Sert à extraire et à monter à pression le coussinet 1 de vilebrequin.

**Werkzeug für den Austausch der Kurbelwellenlagers**

1  
Benutzung: Zum Herausdrücken und Einpassen der Kurbelwellenlagers 1.

**Butée de volant**

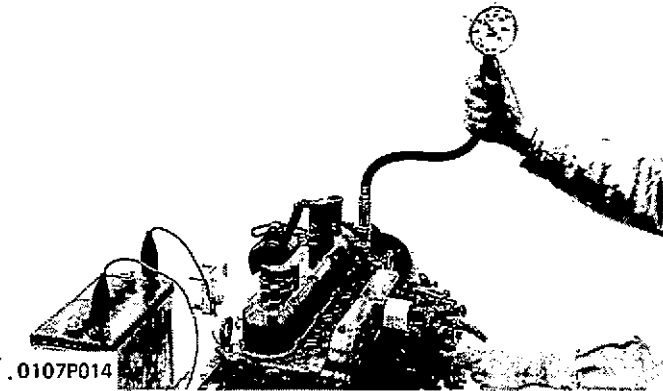
Utilisation: Pour desserrer et serrer le vis de volant.

**Schwungrad-Bremsvorrichtung**

Benutzung: Zum Lösen und Befestigen des Schwungradschraubens.

# 1 ENGINE BODY

## CHECKING AND ADJUSTING



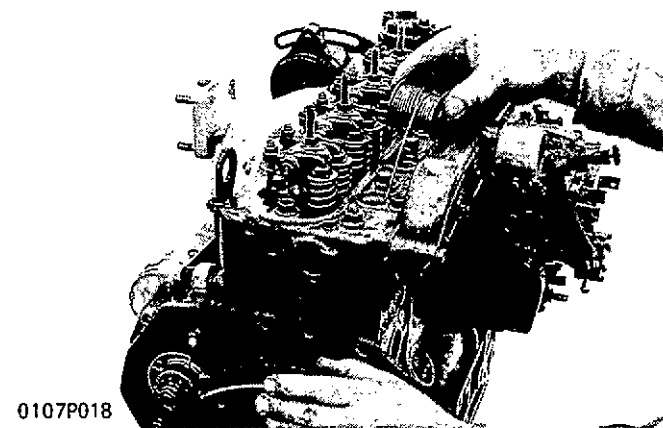
0107P014

### Compression Pressure

1. After warming up the engine, stop it and remove the air cleaner, the muffler and all nozzle holders.
2. Install a compression tester (Code No: 07909-30204) for diesel engines to nozzle holder hole.
3. After making sure that the speed control lever is set at the stop position (Non-injection), run the engine at 200 to 300 r.p.m. with the starter.
4. Read the maximum pressure. Measure the pressure more than twice.
5. If the measurement is below the allowable limit, check the cylinder, piston ring, top clearance, valve and cylinder head.

### NOTE

- Variances in cylinder compression values should be under 10%.



0107P018

### Top Clearance

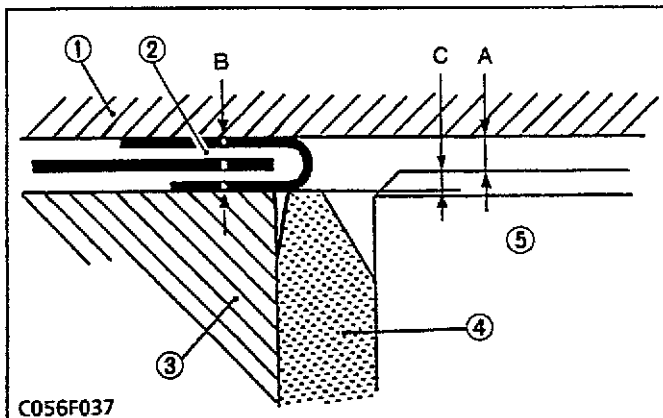
1. Remove the nozzle holder.
2. Lower the piston in the cylinder.
3. Insert a high quality fuse from the nozzle holder hole on the piston except where it faces the valve or the combustion chamber insert.
4. Rotate the flywheel until the piston is raised and lowered again.
5. Take out the fuse carefully.
6. Repeat three times with a new fuse in the other directions.
7. Measure the thickness of the crushed fuse with vernier calipers.
8. If the measurement is not within the factory specifications, check the oil clearance of the crank pin and clearance between the piston pin and bushing.

### (Reference)

- Top clearance (A) can also be got by measuring the projection (C) of the piston from the liner flange, and calculate.

$$\text{Top clearance (A)} = \text{Head Gasket Thickness (B)} - \text{Piston Projection (C)}$$

Head gasket thickness (B) (after retightened)	1.05 to 1.15 mm 0.0413 to 0.0453 in.
Protection (C)	0.25 to 0.55 mm 0.010 to 0.022 in.



C056F037

- (1) Cylinder Head  
(2) Head Gasket  
(3) Cylinder Block

- (4) Cylinder Liner  
(5) Piston

# 1 CORPS DU MOTEUR

## VERIFICATION ET REGLAGE

### Pression de compression

1. Après avoir chauffé le moteur, arrêter celui-ci et déposer le filtre à air, le pot d'échappement et tous les porte-injecteur.
2. Mettre en place un appareil d'essai à la compression (Référence: 07909-30204) pour moteurs diesel sur un trou de porte-injecteur.
3. Après avoir vérifié que le levier de contrôle de vitesse est mis sur la position d'arrêt (aucune injection), faire marcher le moteur à 200 à 300 tr/mn avec le démarreur.
4. Lire la pression maximum. Mesurer la pression par plus de trois fois.
5. Si la valeur mesurée est inférieure à la limite de service, vérifier le cylindre, le segment de piston, l'espace neutre, la soupape et la culasse.

### ■ NOTA

- La différence de compression entre les cylindres ne doit pas dépasser 10%.

### Espace Neutre

1. Déposer le porte-injecteur.
2. Faire descendre le piston dans le cylindre.
3. Introduire un fil de plomb de haute qualité par le trou du porte-injecteur sur le piston sauf là où il est en face de la soupape ou la chambre de combustion.
4. Faire tourner le volant-moteur jusqu'à ce que le piston passe au P.M.H.
5. Retirer avec soin le fil.
6. Répéter trois fois avec un fil de plomb neuf dans les autres directions.
7. Mesurer l'épaisseur de fusible écrasé à l'aide d'un pied à coulisse.
8. Si la valeur mesurée n'est pas comprise dans la gamme de valeurs de référence, vérifier le jeu de marche du maneton et le jeu entre l'axe de piston et sa bague.

### (Référence)

- L'espace neutre (A) peut être obtenu en mesurant le dépassement (C) du piston par rapport à la bride de chemise, et en calculant.

Epaisseur du joint de culasse (B) (Après le resserrement)	1,05 à 1,15 mm
Dépassement du piston (C)	0,35 à 0,55 mm

- (1) Culasse
- (2) Joint de culasse
- (3) Bloc-moteur
- (4) Chemise de cylindre
- (5) Piston

# 1 MOTORKÖRPER

## ÜBERPRÜFUNG UND EINSTELLUNG

### Verdichtungsdruck

1. Den Motor warmlaufen lassen und dann abstellen und den Luftfilter, Auspufftopf und alle Düsenhalter entfernen.
2. Ein Kompressionsprüfgerät (Code Nr: 07909-30204) für Dieselmotore an die Düsenhalteröffnugn anbringen.
3. Nachdem sichergestellt wurde, daß der Geschwindigkeitsreglerhebel in der obersten Position gesetzt ist (keine Einspritzung), den Motor mit dem Anlasser bei einer Drehzahl von 200 bis 300 u/min laufen lassen.
4. Den maximalen Druck ablesen. Den Druck wenigstens zweimal ablesen.
5. Ist die Messung unterhalb des zulässigen Grenzwerts, den Zylinder, Kolben, das obere Spiel, das Ventil und den Zylinderkopf überprüfen.

### ■ ANMERKUNG

- Der Unterschied des Verdichtungsdruckes zwischen den Zylindern sollte innerhalb 10% liegen.

### Zylinderkopfspiel

1. Entfernen Sie den Düsenhalter.
2. Den Kolben in den Zylinder senken.
3. Geben Sie durch die Öffnung des Düsenhalters eine Sicherung von guter Qualität in die Verbrennungskammer ein.
4. Drehen Sie das Schwungrad, bis sich der Kolben einmal gehoben und wieder gesenkt hat.
5. Nehmen Sie die Sicherung vorsichtig heraus.
6. Dreimal mit einer neuen Sicherung in den anderen Richtungen wiederholen.
7. Die Dicke der fehlerhaften Sicherung mit einer Noniusschublehre messen.
8. Sind die Messungen nicht innerhalb die Werkdaten liegt, den Ölspiel des Kurbelzapfen und das Spiel zwischen Kolbenbolzen und Buchse messen.

### (Referenz)

- Das Zylinderkopfspiel (A) kann auch durch die Messung des Vorsprunges (C) am Kolben vom Unterlagenflansch berechnet werden.  
Zylinderkopfspiel (A) = Kopfdichtungsdicke (B) – Kolbenvorsprung (C)

Kopfdichtungsdicke (B) (Nach dem Nachziehen)	1,05 bis 1,15 mm
Kolbenvorsprung (C)	0,35 bis 0,55 mm

- (1) Zylinderkopf
- (2) Kopfdichtung
- (3) Zylinderblock
- (4) Zylinderlaufbüchse
- (5) Kolben

# DISASSEMBLING AND ASSEMBLING

## [1] DRAINING WATER AND OIL

### Draining Cooling Water and Engine Oil

#### **⚠ CAUTION**

- Never remove radiator cap until cooling water temperature is below its boiling point. Then loosen cap slightly to the stop to relieve any excess pressure before removing cap completely.

1. Prepare a bucket. Open the drain cock to drain cooling water.
2. Prepare an oil pan. Remove the drain plug to drain engine oil in the pan.

## [2] EXTERNAL COMPONENTS

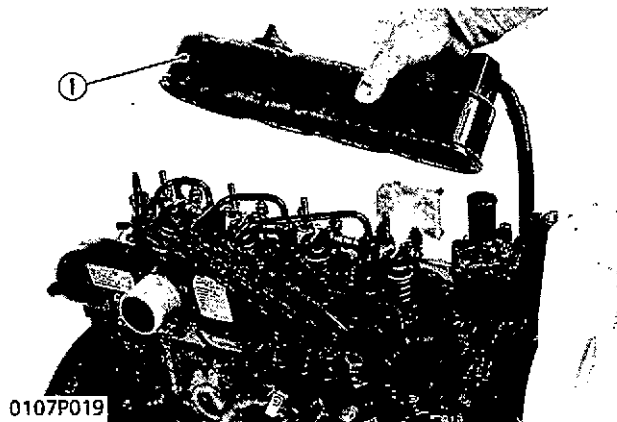
### Air Cleaner and Muffler

1. Remove the air cleaner.
2. Remove muffler retaining nuts to remove the muffler.

#### (When reassembling)

- Install the muffler gasket so that its steel side face the muffler.

## [3] CYLINDER HEAD AND VALVES



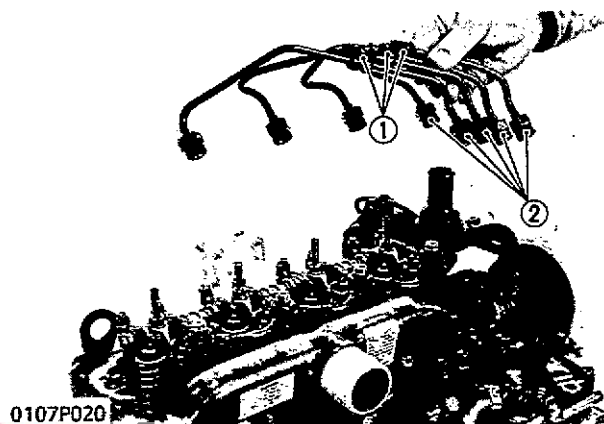
### Cylinder Head Cover

1. Remove the cylinder head cover cap nuts.
2. Remove the cylinder head cover (1).

#### (When reassembling)

- Check to see that the cylinder head cover gasket is not defective.

(1) Head Cover



### Injection Pipe

1. Loosen the pipe clamps (1).
2. Remove the injection pipes (2).

(1) Pipe Clamps

(2) Injection Pipes

## DEMONTAGE ET MONTAGE

### [1] VIDANGE D'EAU ET D'HUILE

#### Vidange d'eau de refroidissement et d'huile moteur

#### ATTENTION

- Ne jamais déposer le bouchon de radiateur avant que la température d'eau de refroidissement ne soit inférieure à son point d'ébullition. Desserrer légèrement le bouchon de manière à dégager toute pression excédentaire avant le déposer finalement.
1. Préparer un récipient pour récupération. Ouvrir le robinet de vidange pour vider l'eau de refroidissement.
  2. Préparer un carter d'huile. Déposer la bouchon de vidange pour vider l'huile moteur dans le carter.

### [2] COMPOSANTES EXTERNES

#### Filtre à air et pot d'échappement

1. Déposer le filtre à air.
2. Enlever les écrous de fixation de pot d'échappement pour déposer le pot d'échappement.

#### (Au remontage)

- Mettre en place le joint de pot d'échappement, sa partie en acier vers le pot d'échappement.

### [3] CULASSE ET SOUPAPES

#### Couvercle de culasse

1. Enlever les écrous du couvercle de culasse.
2. Enlever le couvercle de culasse (1).

#### (Au remontage)

- Vérifier que le joint de couvercle de culasse n'est pas défectueux.

(1) Culasse

#### Conduits d'injection

1. Desserrer les étriers (1).
2. Déposer les conduits d'injection (2).

(1) Etriers des conduits  
(2) Conduits d'injection

## AUSBAU UND EINBAU

### [1] ABLASSEN VON WASSER UND ÖL

#### Ablassen von Kühlwasser und Motoröl

#### ACHTUNG

- Die Kühlerschlußkappe sollte niemals entfernt werden bis die Temperatur des Kühlwassers unterhalb des Siedepunktes liegt. Die Kappe zuerst bis zum Anschlag lösen, um den Überdruck zu entlasten, bevor sie vollkommen abgenommen wird.
1. Einen Kübel bereitstellen. Den Kühlerablaßhahn öffnen und das Kühlwasser ablassen.
  2. Eine Ölwanne bereitstellen. Den Ablaßschraube entfernen, und das Motoröl in die Ölwanne ablassen.

### [2] ÄUSSERE BAUTEILE

#### Luftfilter und Schalldämpfer

1. Den Luftfilter entfernen.
2. Die Befestigungsmuttern des Auspufftopfes entfernen und den Auspufftopf entfernen.

#### (Beim Wiedereinbau)

- Die Auspufftopfdichtung so einbauen, daß die Stahlseite zum Auspufftopf ausgerichtet ist.

### [3] ZYLINDERKOPF UND VENTILE

#### Zylinderkopfdeckel

1. Die Hutmuttern der Zylinderkopfdeckel entfernen.
2. Die Zylinderkopfdeckel (1) entfernen.

#### (Beim Wiedereinbau)

- Die Dichtung der Zylinderkopfdeckel auf evtl. Beschädigungen prüfen.

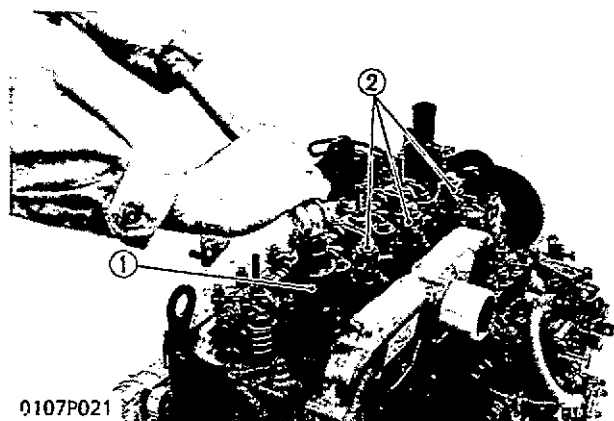
(1) Zylinderkopfdeckel

#### Einspritzleitungen

1. Die Leitungsklemmen (1) lösen.
2. Die Einspritzleitungen (2) entfernen.

(1) Leitungsklemmen  
(2) Einspritzleitungen



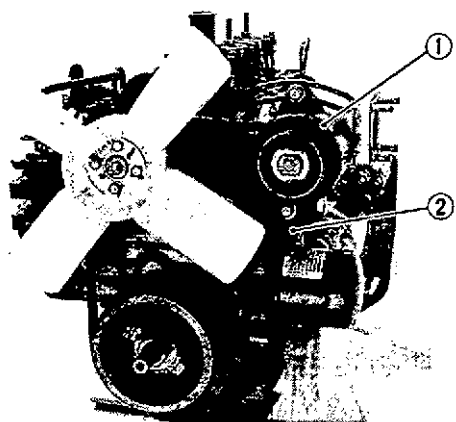


0107P021

### Nozzle Holder Assembly

1. Remove the fuel overflow pipes.
2. Loosen the lock nuts, and remove the nozzle holder assemblies with a nozzle holder socket wrench 27 (1).
3. Remove the copper gaskets on the seats.

- (1) Nozzle Holder Socket Wrench  
(2) Nozzle Holder Assembly



0076P013

### Alternator and Fan Belt

1. Remove the alternator (1).
2. Remove the fan belt (2).

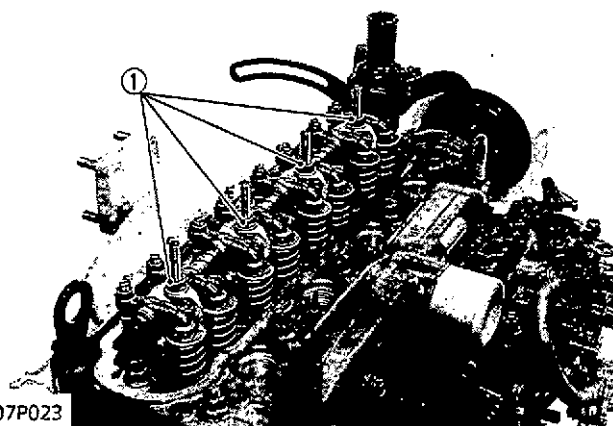
#### (When reassembling)

- Check to see that there are no cracks on the belt surface.

#### ■ **IMPORTANT**

- After reassembling the fan belt, be sure to adjust the fan belt tension.

- (1) Alternator  
(2) Fan Belt



0107P023

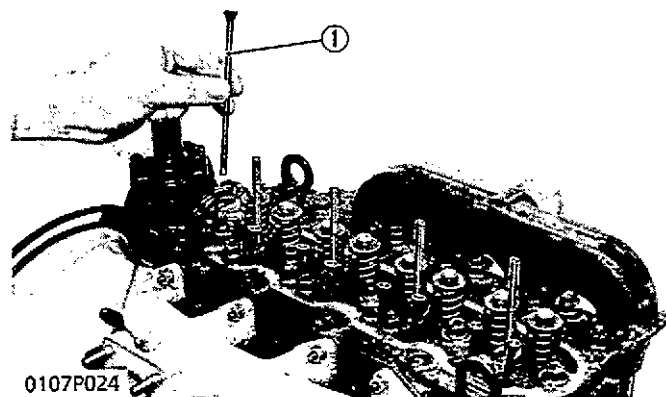
### Rocker Arm

1. Remove the rocker arm bracket mounting nuts (1).
2. Remove the rocker arm as a unit.

#### ■ **IMPORTANT**

- After reassembling the rocker arm, be sure to adjust the valve clearance.

- (1) Rocker Arm Bracket Mounting Nuts



0107P024

### Push Rod

1. Remove the push rods.

#### (When reassembling)

- When putting the push rods onto the tappets, check to see if their ends are properly engaged with the grooves.

- (1) Push Rod

**Ensemble porte-injecteur**

1. Enlever les conduits de retour d'injecteur.
2. Desserrer les contre-écrous et enlever les ensembles porte-injecteur à l'aide d'une clef à douille 27 pour porte-injecteur (1).
3. Enlever les joints en cuivre des sièges.

- (1) Clef à douille 27 pour porte-injecteur  
 (2) Ensemble porte-injecteur

**Courroie de ventilateur et d'alternateur**

1. Déposer l'alternateur (1).
2. Déposer la courroie de ventilateur (2).

**(Au remontage)**

- Vérifier qu'il n'y a pas de fissures à la surface de la courroie.

**■ IMPORTANT**

- **Après avoir remonté la courroie de ventilateur, bien en régler la tension.**

- (1) Alternateur  
 (2) Courroie de ventilateur

**Culbuteurs**

1. Déposer les écrous de rampe de culbuteur (1).
2. Déposer le culbuteur comme une seule pièce.

**■ IMPORTANT**

- **Après le remontage du culbuteur, veiller à régler le jeu des soupapes.**

- (1) Ecrous de montage de rampe de culbuteur

**Tiges de poussoirs**

1. Déposer les poussoirs.

**(Au remontage)**

- En plaçant les tiges de poussoirs sur les poussoirs, vérifier que les extrémités sont bien engagées dans les rainures.

- (1) Tige de poussoir

**Düsenhalter**

1. Die Kraftstoff-Überlaufleitungen entfernen.
2. Die Gegenmuttern lösen und den Düsenhalter mit einem Nußschlüssel 27 (1) entfernen.
3. Die Kupferdichtungen an den Sitzen entfernen.

- (1) Nußschlüssel 27 für Düsenhalter  
 (2) Düsenhalter

**Wechselstrom-Lichtmaschine und Lüfterriemen**

1. Die Lichtmaschine (1) ausbauen.
2. Den Lüfterriemen (2) entfernen.

**(Beim Wiedereinbau)**

- Prüfen, ob auf der Riemenfläche keine Risse vorhanden sind.

**■ WICHTIG**

- **Nach erfolgtem Wiedereinbau des Lüfterriemens muß die Lüfterriemenspannung eingestellt werden.**

- (1) Wechselstrom-Lichtmaschine  
 (2) Lüfterriemen

**Kipphebel**

1. Die Befestigungsmutter (1) des Kipphebelbocks entfernen.
2. Den Kipphebel als Einheit entfernen.

**■ WICHTIG**

- **Nach erfolgtem Wiedereinbau des Kipphebels muß das Ventilspiel eingestellt werden.**

- (1) Befestigungsmutter des Kipphebelbocks

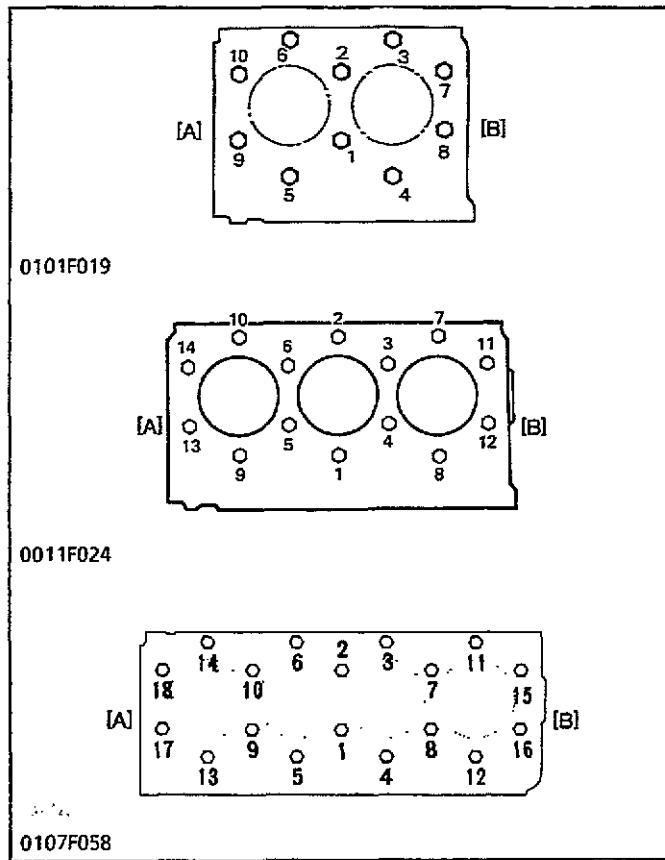
**Stößelstange**

1. Die Stößelstangen entfernen.

**(Beim Wiedereinbau)**

- Bei Anbringung der Stößelstangen auf den Ventilstößeln ist darauf zu achten, daß ihre Enden richtig in die Nuten eingreifen.

- (1) Stößelstange



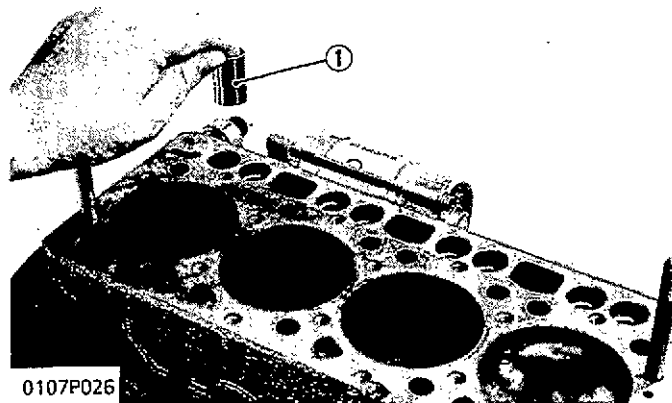
**Cylinder Head**

1. Loosen the pipe band, and remove the water return pipe.
2. Remove the cylinder head screws and nuts in the order of (10, 14, 18) to (1), and remove the cylinder head.
3. Remove the cylinder head gasket and O-ring.

**(When reassembling)**

- Replace the head gasket with a new one.
- Install the cylinder head, using care not to damage the O-ring.
- Tighten the cylinder head screws and nuts gradually in the order of (1) to (10, 14, 18) after applying engine oil.
- Retighten the cylinder head screws and nuts after running the engine for 30 minutes.

[A] Gear case side  
 [B] Flywheel side



**Tappets**

1. Remove the tappets from the crankcase.

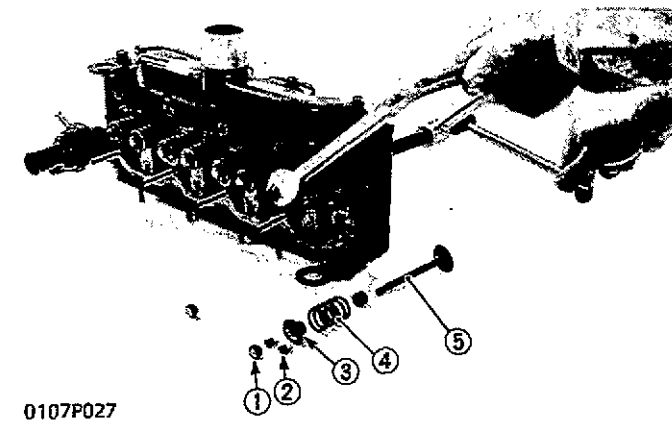
**(When reassembling)**

- Before installing the tappets, apply engine oil thinly around them.

■ NOTE

- Mark the cylinder number to the tappets to prevent interchanging.

(1) Tappet



**Valves**

1. Remove the valve cap (1).
2. Remove the valve spring collet (2) with a valve lifter.
3. Remove the valve spring retainers (3), valve spring (4) and valve (5).

**(When reassembling)**

- Wash the valve stem and valve guide hole, and apply engine oil sufficiently.
- After installing the valve spring collets, lightly tap the stem to assure proper fit with a plastic hammer.

(1) Valve Cap  
 (2) Valve Spring Collet  
 (3) Valve Spring Retainer  
 (4) Valve Spring  
 (5) Valve

### Culasse

1. Desserrer le collier et enlever le conduit de retour d'eau.
2. Enlever les vis et les écrous de culasse, dans l'ordre de (10, 14, 18) à (1), puis enlever la culasse.
3. Enlever le joint plat et le joint torique de culasse.

#### (Au remontage)

- Remplacer le joint plat de culasse par un joint neuf.
- Monter la culasse en veillant à ne pas abîmer le joint torique.
- Serrer progressivement les écrous et les vis de culasse dans l'ordre de (1) à (10, 14, 18) après les avoir enduits d'huile moteur.
- Resserrer les vis et les écrous de culasse après avoir fait tourner le moteur pendant 30 minutes.

[A] Côté de carter de distribution

[B] Côté volant

### Poussoirs

1. Enlever les de poussoirs du carter.

#### (Au remontage)

- Avant de remettre les poussoirs, les enduire d'une légère couche d'huile moteur.

#### ■ NOTA

- Consigner le numéro de cylindre sur les poussoirs afin d'éviter un intervertissement.

(1) Poussoir

### Soupapes

1. Déposer les chapeaux de soupape (1).
2. Déposer les douilles de ressort de soupape (2) solidaires du lève-soupape.
3. Déposer les retenues de ressort de soupape (3), les ressorts de soupape (4) et les soupapes (5).

#### (Au remontage)

- Laver les queues de soupape et les orifices de guide de soupape, puis passer de l'huile moteur en quantité suffisante.
- Une fois les douilles de ressort de soupape installées, tapoter légèrement la queue de soupape avec un maillet en plastique pour s'assurer du bon ajustement.

(1) Capuchon de soupape

(2) Coupelle

(3) Cuvette

(4) Ressort de soupape

(5) Soupape

### Zylinderkopf

1. Das Leitungsband lösen und die Wasser-rücklaufleitung entfernen.
2. Die Zylinderkopfschrauben und -muttern in der Reihenfolge von (10, 14, 18) nach (1) entfernen und den Zylinderkopf herausnehmen.
3. Die Zylinderkopfdichtung und den O-Ring entfernen.

#### (Beim Wiedereinbau)

- Die Zylinderkopfdichtung gegen eine neue austauschen.
- Die Zylinderkopf einsetzen und darauf achten, daß der O-Ring nicht beschädigt wird.
- Die Zylinderkopfschrauben und -muttern nach und nach in der Reihenfolge von (1) nach (10, 14, 18) anziehen. Zuvor Motoröl auftragen.
- Die Zylinderkopfschrauben und -muttern nochmals anziehen, nachdem der Motor 30 Minuten lang gelaufen ist.

[A] Getriebegehäuseseite

[B] Schwungscheibenseite

### Stößel

1. Die Stößel vom Kurbelgehäuse entfernen.

#### (Beim Wiedereinbau)

- Vor dem Einbau der Stößel diese mit einer dünnen Schicht Motoröl versehen.

#### ■ ANMERKUNG

- Die Zylinder Nummer auf die Stoßel markieren, um eine Verwechslung zu verhindern.

(1) Stößel

### Ventile

1. Die Ventilkappe (1) entfernen.
2. Die Federhalteringe (2) mit Hilfe einer Ventulfederzange abnehmen.
3. Die Ventulfederteller (3), Ventulfedern (4) und Ventile (5) herausnehmen.

#### (Beim Wiedereinbau)

- Ventilstange und Ventulführung waschen und mit ausreichend Motoröl versehen.
- Nach dem Einbau der Ventulfederhalteringe, leicht auf die Ventilstange mit einem Plastikhammer klopfen, um richtigen Sitz zu bewirken.

(1) Ventilkappé

(2) Konus

(3) Ventulfederteller

(4) Ventulfeder

(5) Ventil

**[4] GEAR CASE**

0107P028

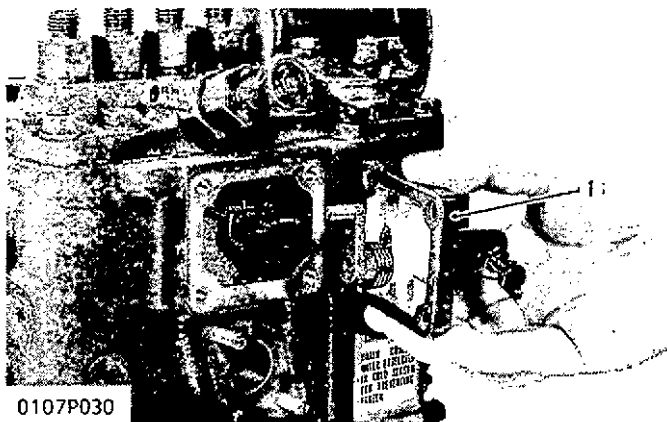
**Fuel Feed Pump**

1. Loosen the pipe clamp and remove the fuel pipe from the injection pump side.
2. Remove the fuel feed pump mounting nuts.
3. Remove the fuel feed pump (1).

**(When reassembling)**

- Apply a liquid gasket (Three Bond 1215 or equivalent) to the both sides of fuel feed pump gasket.

(1) Fuel Feed Pump



0107P030

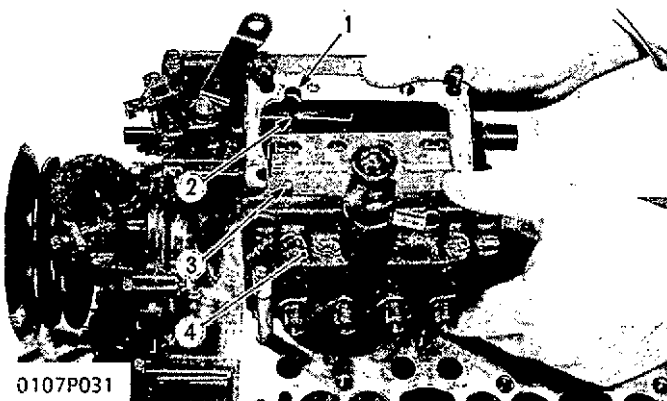
**Injection Pump Cover**

1. Remove the injection pump cover (1).

**(When reassembling)**

- Apply a liquid gasket (Three Bond 1215 or equivalent) to the both sides of injection pump cover gasket.

(1) Injection Pump Cover



0107P031

**Injection Pump**

1. Remove the injection pump mounting screws and nuts.
2. Align the control rack pin (3) with the notch (1) on the crankcase, and remove the injection pump (4).
3. Remove the injection pump shims.
4. In principle, the injection pump should not be disassembled.

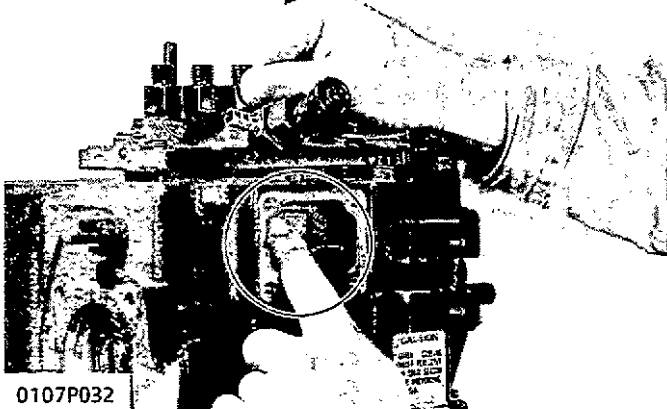
**(When reassembling)**

- When installing the injection pump, insert the control rack pin (3) firmly into the groove (2) of the fork lever 1.
- Addition or reduction of one shim delays or advances the injection timing by  $1.5^\circ$  (0.026 rad).

**■ IMPORTANT**

- Insert the same number of shims as used before between crank case and pump, and then check the injection timing.
- Apply a thin coat of liquid gasket (Three Bond 1215 or equivalent) to the shims.

- (1) Notch
- (2) Groove
- (3) Control Rack Pin
- (4) Injection Pump



0107P032

## [4] CARTER DE DISTRIBUTION

### Pompe d'alimentation

1. Desserrer l'étrier et enlever le conduit d'alimentation du côté de la pompe à injection.
2. Enlever les écrous de fixation de la pompe d'alimentation.
3. Enlever la pompe d'alimentation (1).

#### (Au remontage)

- Appliquer un joint liquide (Three Bond 1215 ou équivalent) des deux côtés du joint de pompe d'alimentation.

(1) Pompe d'alimentation

### Couvercle de pompe d'injection

1. Enlever le couvercle de pompe d'injection (1).

#### (Au remontage)

- Appliquer un joint liquide (Three Bond 1215 ou équivalent) des deux côtés du joint de couvercle de pompe d'injection.

(1) Couvercle de pompe d'injection

### Pompe d'injection

1. Déposer les vis et les écrous de fixation de la pompe d'injection.
2. Aligner l'axe (3) de la crémaillère de pilotage et la encoche (1) ménagée sur le carter, puis enlever la pompe d'injection (4).
3. Déposer les cales d'épaisseur de la pompe d'injection.
4. En principe, il ne faut pas démonter la pompe d'injection.

#### (Au remontage)

- Lors du remontage de la pompe d'injection, insérer l'axe de la crémaillère de pilotage (3) dans la rainure (2) du levier à chape 1, en l'adaptant bien.
- En ajoutant ou en supprimant une cale d'épaisseur, on retarde ou on avance le calage de l'injection de 1,5° (0,026 rad.).

#### ■ IMPORTANT

- Insérer le même nombre de cales que celui utilisé avant entre le carter de distribution et la pompe, et vérifier l'avance à l'injection.
- Appliquer une couche mince de joint liquide (Three Bond 1215 ou équivalent) sur les cales.

(1) Encoche

(2) Rainure

(3) Axe de crémaillère de pilotage

(4) Pompe d'injection

## [4] GETRIEBEGEHÄUSE

### Kraftstoff-Förderpumpe

1. Die Leitungsklemme lösen und die Kraftstoffleitung der Seite der Einspritzpumpe entfernen.
2. Die Befestigungsmuttern der Kraftstoff-Förderpumpe entfernen.
3. Die Kraftstoff-Förderpumpe (1) entfernen.

#### (Beim Wiedereinbau)

- Beide Seiten der Dichtung der Kraftstoff-Förderpumpe mit einer flüssigen Dichtung (Three Bond 1215 oder ähnlich) versehen.

(1) Kraftstoff-Förderpumpe

### Einspritzpumpendeckel

1. Den Einspritzpumpendeckel (1) entfernen.

#### (Beim Wiedereinbau)

- Beide Seiten der Dichtung des Einspritzpumpendeckels mit einer flüssigen Dichtung (Three Bond 1215 oder ähnlich) versehen.

(1) Einspritzpumpendeckel

### Einspritzpumpe

1. Die Befestigungsschrauben und -mutter der Einspritzpumpe entfernen.
2. Den Regelstangenbolzen (3) mit der Gashebel (1) auf dem Kurbelgehäuse ausrichten und die Einspritzpumpe (4) entfernen.
3. Die Blechbeilagen der Einspritzpumpe entfernen.
4. Prinzipiell sollte die Einspritzpumpe nicht zerlegt werden.

#### (Beim Wiedereinbau)

- Beim Einbau der Einspritzpumpe den Regelstangenbolzen (3) in die Nut (2) des Gabelhebels 1 sorgfältig einsetzen.
- Durch die Zugabe oder Verminderung einer Blechbeilage wird die Spritzeinstellung um 1,5° (0,026 rad.) verzögert oder vorgerückt.

#### ■ WICHTIG

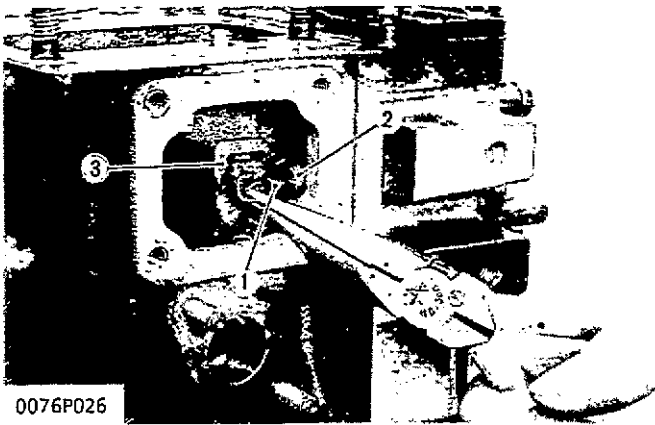
- Die vorher verwendete Anzahl von Beilagscheiben zwischen dem Getriebegehäuse und Pumpe einfügen und dann den Einspritztakt überprüfen.
- Eine dünne Schicht von Sperrflüssigkeit (Three Bond 1215 oder ein gleichwertiges Erzeugnis) auf die Beilagscheiben auftragen.

(1) Gashebel

(2) Nut

(3) Regelstangenbolzen

(4) Einspritzpumpe



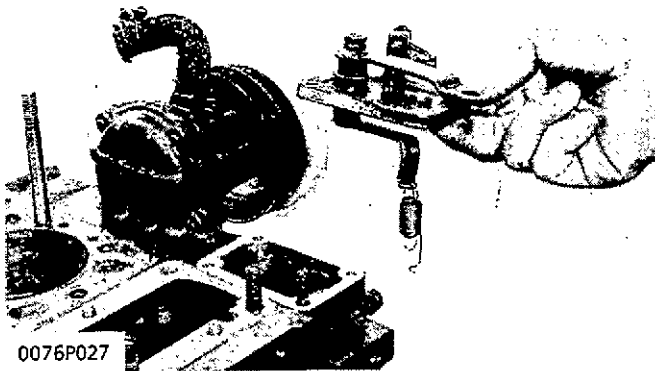
### Governor Spring

1. Remove the governor springs 1 (2) and 2 (1) from the fork lever 2 (3).

#### **(When reassembling)**

- Fix the governor springs 1 and 2 to the governor lever, and pull the springs through the window of the injection pump, and springs will be able to be hooked on to the governor fork lever 2 with ease.

- (1) Governor Spring 2
- (2) Governor Spring 1
- (3) Fork Lever 2

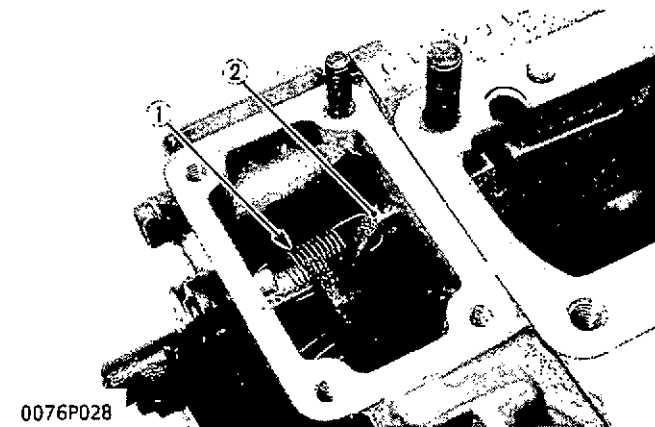


### Speed Control Plate

1. Remove the speed control plate with the governor springs 1 and 2.

#### **(When reassembling)**

- Be careful not to drop the governor springs 1 and 2 into the gear case.
- Apply a liquid gasket (Three Bond 1215 or equivalent) to both sides of the speed control plate gasket.



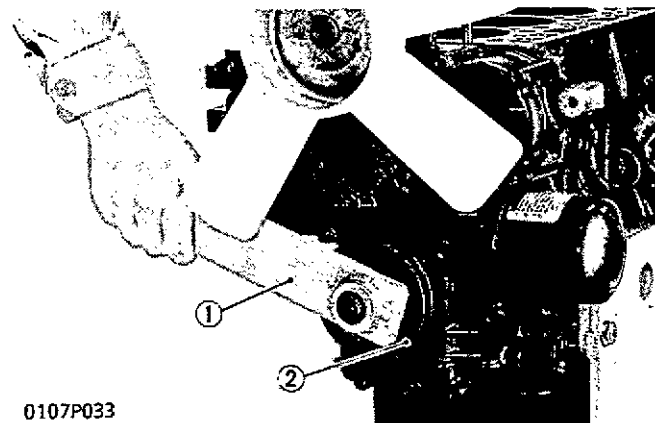
### Start Spring

1. Remove the start spring (1) from the fork lever 1 (2).

#### **(When reassembling)**

- Be careful not to drop the start spring into the gear case.

- (1) Start Spring
- (2) Fork Lever 1



### Fan Drive Pulley

1. Flatten the crankshaft washer and remove the crankshaft nut with a socket wrench 29 (1) (Code No: 07916-31841).
2. Pull out the fan drive pulley (2) with a puller.
3. Remove the feather key.

#### **(When reassembling)**

- Replace the crankshaft washer with a new one.
- After tightening the crankshaft nut to the specified torque, lock the nut with the crankshaft washer.

- (1) Socket Wrench 29
- (2) Fan Drive Pulley

**Ressort de régulateur**

1. Enlever les ressorts 1 (2) et 2 (1) de régulateur du levier à chape 2 (3).

**(Au remontage)**

- Fixer les ressorts 1 et 2 de régulateur sur le levier de régulateur et retirer les ressorts par la fenêtre de la pompe d'injection; on doit pouvoir accrocher facilement les ressorts au levier à chape 2 du régulateur.

(1) Ressort 2 de régulateur

(2) Ressort 1 de régulateur

(3) Levier à chape 2

**Levier de réglage de régime**

1. Enlever le levier de réglage de régime avec les ressorts 1 et 2 de régulateur.

**(Au remontage)**

- Veiller à ne pas faire tomber les ressorts de régulateur dans le carter de distribution.
- Appliquer un joint liquide (Three Bond 1215 ou équivalent) des deux côtés du joint du levier de réglage de régime.

**Ressort de démarreur**

1. Retirer le ressort de démarreur (1) du levier à chape 1 (2).

**(Au remontage)**

- Veiller à ne pas faire tomber le ressort de démarreur dans le carter réducteur.

(1) Ressort de démarreur

(2) Levier à chape 1

**Poulie d'entraînement de ventilateur**

1. Aplatir la rondelle du nez de vilebrequin et enlever l'écrou de vilebrequin avec une clef à douille de 29 (1) (Référence 07916-31841).
2. Avec un extracteur, retirer la poulie d'entraînement de ventilateur (2).
3. Enlever la clavette.

**(Au remontage)**

- Remplacer la rondelle de vilebrequin par une rondelle neuve.
- Après avoir serré l'écrou de vilebrequin au couple spécifié, bloquer l'écrou avec la rondelle de vilebrequin.

(1) Clef à douille de 29

(2) Poulie d'entraînement de ventilateur

**Reglerfeder**

1. Die Reglerfedern 1 (2) und 2 (1) von dem Gabelhebel 2 (3) entfernen.

**(Beim Wiedereinbau)**

- Die Reglerfedern 1 und 2 am Reglerhebel befestigen und die Federn durch die Öffnung der Einspritzpumpe ziehen, so daß diese mühelos am Gabelhebel 2 des Reglers eingehakt werden können.

(1) Reglerfeder 2

(2) Reglerfeder 1

(3) Gabelhebel 2

**Geschwindigkeitssteuerplatte**

1. Die Geschwindigkeitssteuerplatte mit den Reglerfedern 1 und 2 entfernen.

**(Beim Wiedereinbau)**

- Darauf achten, daß die Reglerfedern 1 und 2 nicht in das Getriebegehäuse fallen.
- Beide Seiten der Dichtung der Geschwindigkeitssteuerplatte mit einer flüssigen Dichtung (Three Bond 1215 oder ähnlich) versehen.

**Anlaßfeder**

1. Die Anlaßfeder (1) am Gabelhebel 1 (2) entfernen.

**(Beim Wiedereinbau)**

- Es ist darauf zu achten, daß die Anlaßfeder nicht in das Getriebegehäuse fällt.

(1) Anlaßfeder

(2) Gabelhebel 1

**Lüfterantriebsriemenscheibe**

1. Das Schwungrad mit Hilfe der Schwungradbremsvorrichtung blockieren.  
Die Kurbelwellenscheibe flachdrücken und die Kurbelwellenmutter mit einem Nußschlüssel 29 (1) (Code Nr. 07916-31841) entfernen.
2. Die Lüfterantriebsriemenscheibe (2) mit Hilfe einer Abziehvorrichtung abziehen.
3. Den Federkeil entfernen.

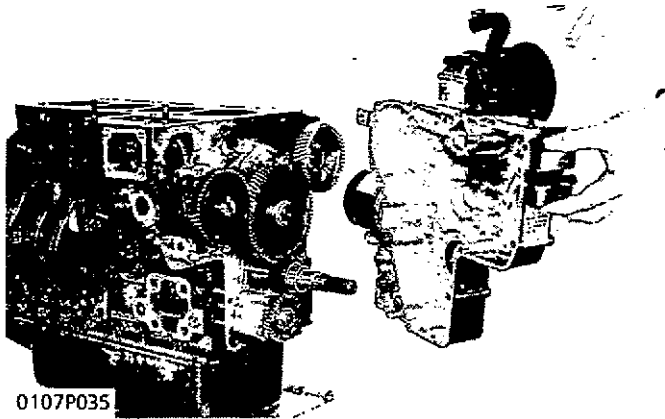
**(Beim Wiedereinbau)**

- Die Kurbelwellenscheibe gegen eine neue austauschen.
- Nach Anziehen der Kurbelwellenmutter mit dem vorgeschriebenen Drehmoment die Mutter mit der Kurbelwellenscheibe sichern.

(1) Nußschlüssel 29

(2) Lüfterantriebsriemenscheibe



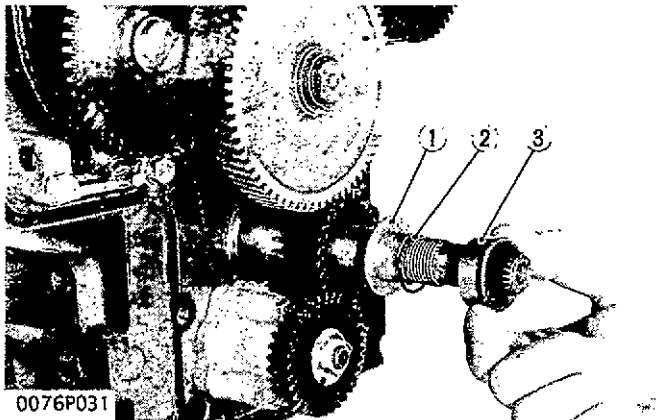


**Gear Case**

1. Remove the gear case.

**(When reassembling)**

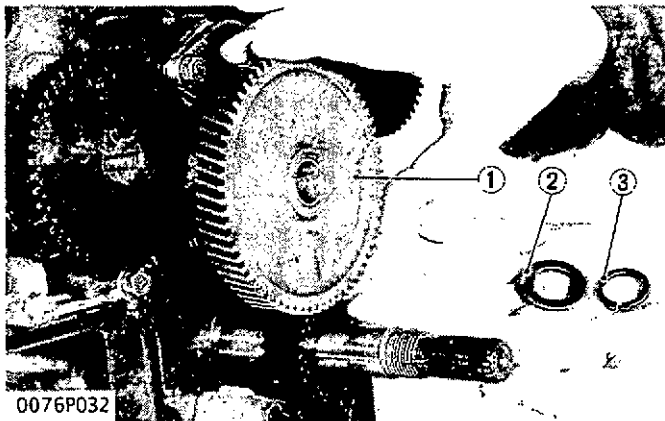
- Apply a liquid gasket (Three Bond 1215 or equivalent) to both sides of the gear case gasket.
- Grease thinly to the oil seal, and install it, ensuring the lip does not come off.



**Crankshaft Oil Slinger**

1. Remove the crankshaft collar (3).
2. Remove the O-ring (2).
3. Remove the crankshaft oil slinger (1).

- (1) Crankshaft Oil Slinger
- (2) O-ring
- (3) Crankshaft Collar



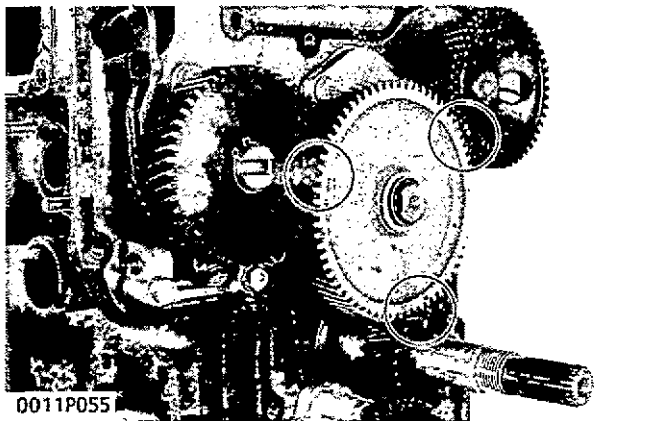
**Idle Gear**

1. Remove the external snap ring (3).
2. Remove the idle collar 2 (2) and idle gear (1).
3. Remove the idle gear collar 1.

**■ IMPORTANT**

- When installing the idle gear, be sure to align the alignment marks on gears.  
 Idle gear and crank gear (Alignment mark •)  
 Idle gear and camshaft gear (Alignment mark ••)  
 Idle gear and injection pump gear (Alignment mark •••)

- (1) Idle Gear
- (2) Idle Collar 2
- (3) External Snap Ring



Carter de distribution

1. Enlever le carter de distribution.

(Au remontage)

- Appliquer un joint liquide (Three Bond 1215 ou équivalent) des deux côtés du joint de carter de distribution.
- Graisser légèrement le joint spy et le mettre en place en veillant à ce que la lèvre ne ressorte pas.

Bague d'étanchéité du vilebrequin

1. Enlever le collier du vilebrequin (3).
2. Enlever le joint torique (2).
3. Enlever la bague d'étanchéité du vilebrequin (1).

- (1) Bague d'étanchéité du vilebrequin  
(2) Joint torique  
(3) Collier de vilebrequin

Pignon de renvoi

1. Enlever le circlip extérieur (3).
2. Enlever le collier 2 de pignon de renvoi (2) et le pignon de renvoi (1).
3. Enlever le collier 1 du pignon de renvoi.

**■ IMPORTANT**

- Pour la mise en place du pignon de renvoi, bien s'assurer que l'on ligne les repères d'alignement des pignons.  
Pignon de renvoi et pignon de vilebrequin (repère d'alignement ●)  
Pignon de renvoi et pignon d'arbre à cames (repère d'alignement ●●)  
Pignon de renvoi et pignon de pompe d'injection (repère d'alignement ●●●)

- (1) Pignon de renvoi  
(2) Collier 2 de pignon de renvoi  
(3) Circlip extérieur

Getriebegehäuse

1. Das Getriebegehäuse entfernen.

(Beim Wiedereinbau)

- Beide Seiten der Getriebegehäusedichtung mit einer flüssigen Dichtung (Three Bond 1215 oder ähnlich) versehen.
- Die Wellendichtung dünn mit Schmiere bestreichen und einsetzen. Hierbei ist darauf zu achten, daß sich die Lippe nicht löst.

Kurbelwellen-Ölschleuderring

1. Die Kurbelwellenmanschette (3) entfernen.
2. Den O-Ring entfernen (2).
3. Den Kurbelwellen-Ölschleuderring (1) entfernen.

- (1) Kurbelwellen-Ölschleuderring  
(2) O-Ring  
(3) Kurbelwellenmanschette

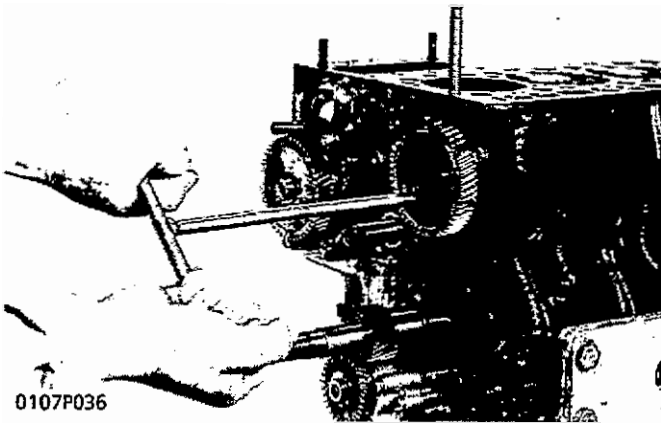
Leerlaufgetriebe

1. Die äußere Klemme (3) entfernen.
2. Die Leerlaufmanschette 2 (2) und das Leerlaufgetriebe (1) entfernen.
3. Die Leerlaufmanschette 1 entfernen.

**■ WICHTIG**

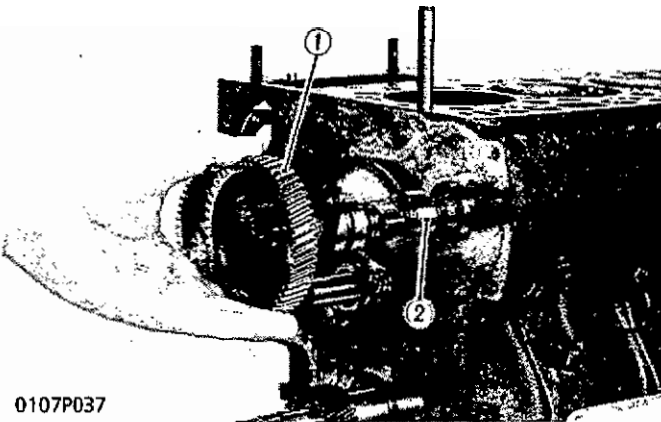
- Beim Einbau des Leerlaufgetriebes darauf achten, daß die Markierungen auf den Zahnrädern zueinander ausgerichtet sind.  
Leerlauf- und Kurbelgetriebe (Markierung ●)  
Leerlauf- und Nockenwellengetriebe (Markierung ●●)  
Leerlauf- und Einspritzpumpengetriebe (Markierung ●●●)

- (1) Leerlaufgetriebe  
(2) Leerlaufmanschette 2  
(3) Äußere Klemme



### Camshaft Stopper Mounting Screw

1. Align the round hole on the cam gear with the camshaft stopper mounting screw position.
2. Remove the camshaft stopper mounting screws.



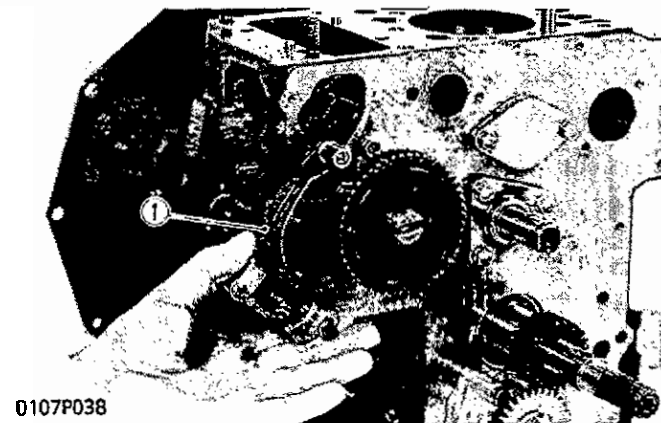
### Cam Gear and Camshaft

1. Remove the cam gear (1) and camshaft (2).

#### (When reassembling)

- Apply engine oil thinly to the camshaft before installation.

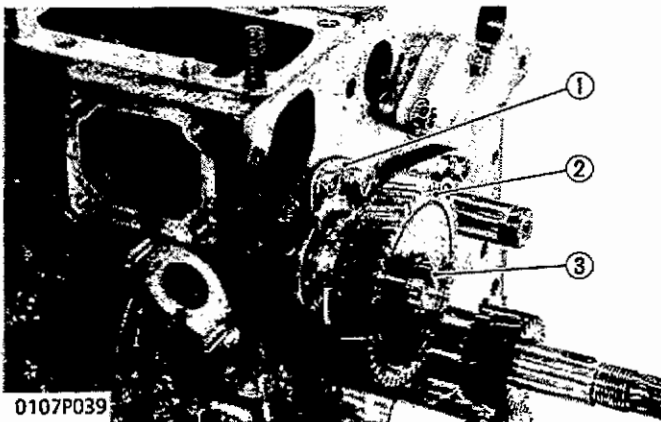
- (1) Cam Gear  
(2) Camshaft



### Fork Lever Assembly

1. Remove the fork lever holder mounting screws.
2. Remove the fork lever assembly (1).

- (1) Fork Lever Assembly



### Fuel Camshaft

1. Remove the fuel camshaft stopper (1).
2. Remove the fuel camshaft (3) and injection pump gear (2).

#### (When reassembling)

- Apply engine oil thinly to the fuel camshaft before installation.

- (1) Fuel Camshaft Stopper  
(2) Injection Pump Gear  
(3) Fuel Camshaft

**Vis de fixation de butée d'arbre à cames**

1. Aligner le trou rond du pignon de came et la vis de fixation de butée d'arbre à cames.
2. Enlever les vis de fixation de butée d'arbre à cames.

**Pignon de came et arbre à cames**

1. Enlever le pignon de came (1) et l'arbre à cames (2).

**(Au remontage)**

- Enduire l'arbre à cames d'une légère couche d'huile moteur avant de le remonter.

- (1) Pignon de came  
(2) Arbre à cames

**Ensemble levier à chape**

1. Enlever les vis de fixation du porte-levier à chape.
2. Enlever l'ensemble levier à chape (1).

- (1) Ensemble levier à chape

**Arbre à came d'alimentation**

1. Enlever la butée d'arbre à came d'alimentation (1).
2. Enlever l'arbre à came d'alimentation (3) et le pignon de pompe d'injection (2).

**(Au remontage)**

- Enduire l'arbre à came d'alimentation d'une légère couche d'huile moteur avant de le remonter.

- (1) Butée d'arbre à came d'alimentation  
(2) Pignon de pompe d'injection  
(3) Arbre à came d'alimentation

**Befestigungsschraube des Nockenwellenbegrenzers**

1. Die runde Öffnung am Nockengetriebe mit der Befestigungsschraube des Nockenwellenbegrenzers ausrichten.
2. Die Befestigungsschrauben des Nockenwellenbegrenzers entfernen.

**Nockengetriebe und Nockenwelle**

1. Das Nockengetriebe (1) und die Nockenwelle (2) entfernen.

**(Beim Wiedereinbau)**

- Vor dem Einbau die Nockenwelle mit einer dünnen Schicht Motoröl versehen.

- (1) Nockengetriebe  
(2) Nockenwelle

**Gabelhebel**

1. Die Befestigungsschrauben der Gabelhebelhalterung entfernen.
2. Den Gabelhebel (1) entfernen.

- (1) Gabelhebel

**Kraftstoff-Nockenwelle**

1. Den Kraftstoff-Nockenwellenbegrenzer (1) entfernen.
2. Die Kraftstoff-Nockenwelle (3) und das Einspritzpumpengetriebe (2) entfernen.

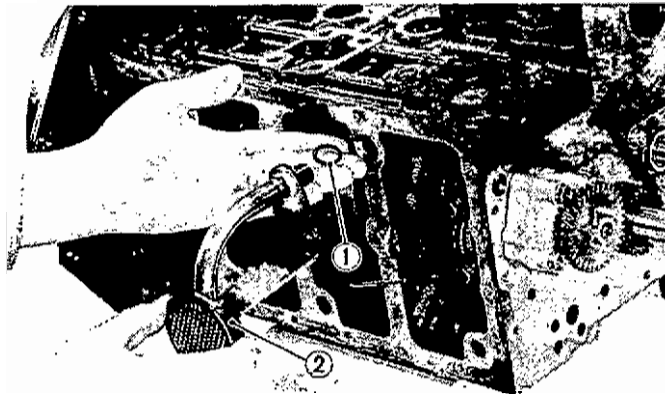
**(Beim Wiedereinbau)**

- Vor dem Einbau eine dünne Schicht Motoröl auf die Kraftstoff-Nockenwelle auftragen.

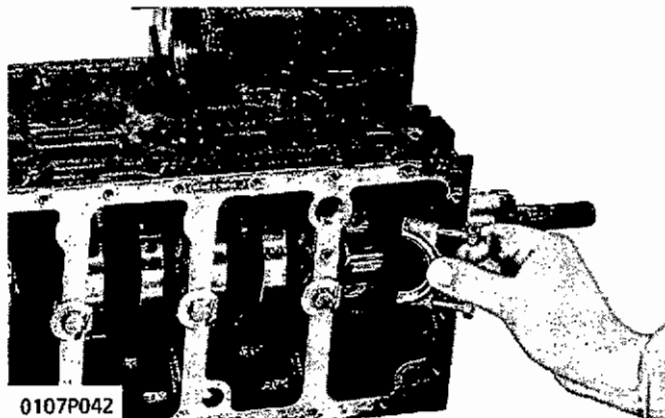
- (1) Kraftstoff-Nockenwellenbegrenzer  
(2) Einspritzpumpengetriebe  
(3) Kraftstoff-Nockenwelle

**[5] PISTON AND CONNECTING ROD**

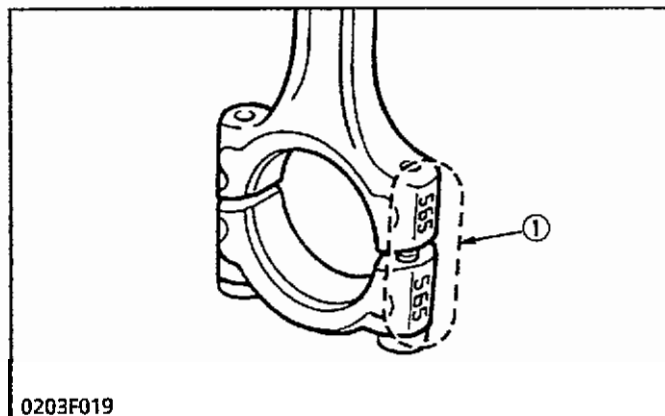
0107P040



0107P041



0107P042



0203F019

**Oil Pan**

1. Remove the oil pan mounting screws.
2. Remove the oil pan by lightly tapping the rim of the oil pan with a wooden hammer.

**(When reassembling)**

- Apply a liquid gasket (Three Bond 1215 or equivalent) to both sides of the oil pan gasket.
- To avoid uneven tightening, tighten mounting screws in diagonal order from the center.

**Oil Strainer**

1. Remove the oil strainer mounting screw.
2. Remove the oil strainer (2).

**(When reassembling)**

- After cleaning the oil strainer, install it. Install the oil strainer, using care not to damage the O-ring (1).

- (1) O-ring  
(2) Oil Strainer

**Connecting Rod Cap**

1. Remove the connecting rod screws from connecting rod cap.
2. Remove the connecting rod caps.

**(When reassembling)**

- Apply engine oil to the crank pin bearings.
- Apply engine oil to the connecting rod screws.
- Align the marks (1) on the connecting rod and connecting rod cap.

## [5] PISTONS ET BIELLES

### Carter d'huile

1. Enlever les vis de fixation du carter d'huile.
2. Enlever le carter d'huile en tapant légèrement sur la cornière à l'aide d'un maillet en bois.

### **(Au remontage)**

- Appliquer un joint liquide (Three Bond 1215 ou équivalent) des deux côtés du joint de carter.
- Pour éviter un serrage inégal, serrer les vis de fixation du carter d'huile en diagonal, en commençant par le centre.

### Crépine d'huile

1. Enlever la vis de fixation de la crépine.
2. Enlever la crépine (2).

### **(Au remontage)**

- Après avoir nettoyé la crépine, la remonter.
- Monter la crépine d'huile, en veillant à ne pas abîmer le joint torique (1).

- (1) Joint torique  
(2) Crépine d'huile

### Chapeau de bielle

1. Enlever les vis de fixation du chapeau de bielle.
2. Enlever les chapeaux de bielle.

### **(Au remontage)**

- Enduire d'huile moteur le coussinet de tête de bielle.
- Enduire d'huile moteur les vis de la bielle.
- Aligner les repères (1) de la bielle et du chapeau de bielle.

## [5] KOLBEN UND PLEUELSTANGE

### Ölwanne

1. Die Befestigungsschrauben der Ölwanne entfernen.
2. Die Ölwanne durch leichtes Schlagen mit einem Holzhammer auf den Rand der Ölwanne entfernen.

### **(Beim Wiedereinbau)**

- Beide Seiten der Ölwannendichtung mit einer flüssigen Dichtung (Three Bond 1215 oder ähnlich) versehen.
- Um ein ungleichmäßiges Anziehen zu vermeiden, werden die Befestigungsschrauben in diagonaler Reihenfolge von der Mitte aus ausgezogen.

### Ölfilter

1. Die Befestigungsschraube des Ölfilters entfernen.
2. Den Ölfilter (2) herausnehmen.

### **(Beim Wiedereinbau)**

- Den Ölfilter reinigen und wieder einsetzen.
- Beim Einbau des Ölfilters darauf achten, daß der O-Ring (1) nicht beschädigt wird.

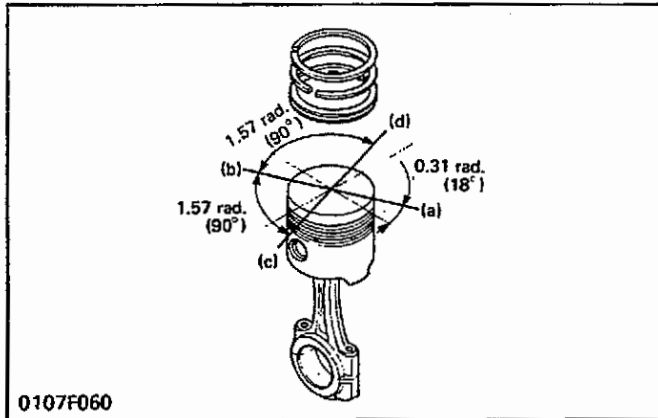
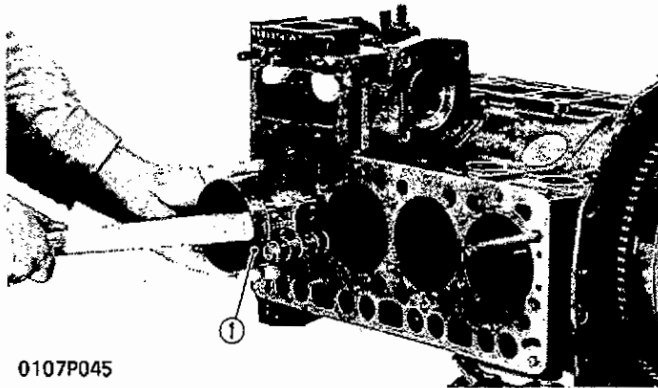
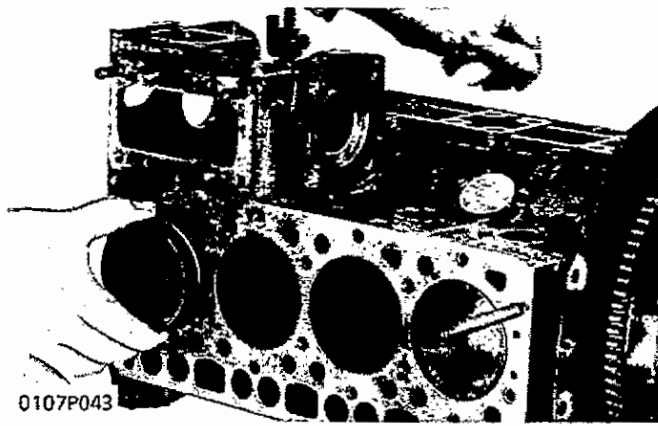
- (1) O-Ring  
(2) Ölfilter

### Pleuelstangendeckel

1. Die Pleuelstangenschrauben vom Pleuelstangendeckel entfernen.
2. Den Pleuelstangendeckel abnehmen.

### **(Beim Wiedereinbau)**

- Auf die Pleuellagerschale eine Schicht Motoröl auftragen.
- Die Pleuelstangenschrauben mit einer Schicht Motoröl versehen.
- Die Markierungen (1) auf der Pleuelstange und dem Pleuelstangendeckel ausrichten.



### Piston

1. Turn the flywheel, and bring the No.1 piston to the top dead center.
2. Pull out the piston upward by lightly tapping it from the bottom of the crankcase with the grip of a hammer.

#### (When reassembling)

- Before inserting the piston into the cylinder, apply enough engine oil to the cylinder.
- When inserting the piston into the cylinder, face the mark on the connecting rod to the injection pump.

#### ■ IMPORTANT

- Do not change the combination of cylinder and piston. Make sure of the position of each piston by marking. For example, mark "1" on the No.1 piston.
- When inserting the piston into the cylinder, place the gap of the compression ring 1 on the opposite side of the combustion chamber and stagger the gaps of the compression ring 2 and oil ring making a right angle from the gap of the compression ring 1.
- Carefully insert the pistons using a piston ring compressor (1). Otherwise, their chrome-plated section may be scratched, causing trouble inside the liner.

(1) Piston Ring Compressor

(a) Combustion Chamber

(b) Gap of Compression Ring 1

(c) Gap of Compression Ring 2

(d) Gap of Oil Ring

**Pistons**

1. Faire tourner le volant et amener les pistons N° 1 au point mort haut.
2. Retirer le piston vers le haut en le tapant légèrement par le bas du carter avec le manche d'un marteau.

**(Au remontage)**

- Avant d'introduire le piston dans le cylindre, enduire le cylindre d'une quantité suffisante d'huile moteur.
- Pour introduire le piston dans le cylindre, mettre en regard le repère de la bielle et la pompe à injection.

**■ IMPORTANT**

- Ne pas changer les combinaisons de cylindre et de piston. Assurer la position de chaque piston, par un repérage. Par exemple, repérer le piston N° 1 par le chiffre "1".
- En introduisant le piston dans le cylindre, mettre la coupe du segment 1 de compression du côté opposé à la chambre de combustion et décaler les coupes du segment 2 de compression et du segment racléur à 1,57 rad. (90°) par rapport à l'ouverture du segment coup de feu.
- Introduire sans forcer les pistons en utilisant l'outil de mise en place pour segments (1). Autrement, on risque de rayer le chromage, ce qui abîmerait la chemise.

(1) Outil de mise en place pour segments

- (a) Chambre de combustion
- (b) Coupe du segment 1 de compression
- (c) Coupe du segment 2 de compression
- (d) Coupe du segment racléur

**Kolben**

1. Das Schwungrad drehen und die Kolben Nr.1 in den oberen Totpunkt bringen.
2. Den Kolben durch leichtes Schlagen vom Boden des Kurbelgehäuses her mit einem Hammerstiel nach oben herausdrücken.

**(Beim Wiedereinbau)**

- Vor Einsetzen des Kolbens in den Zylinder diesen mit einer ausreichenden Schicht Motoröl versehen.
- Beim Einsetzen des Kolbens in den Zylinder auf die Markierung der Pleuelstange zur Einspritzpumpe hin achten.

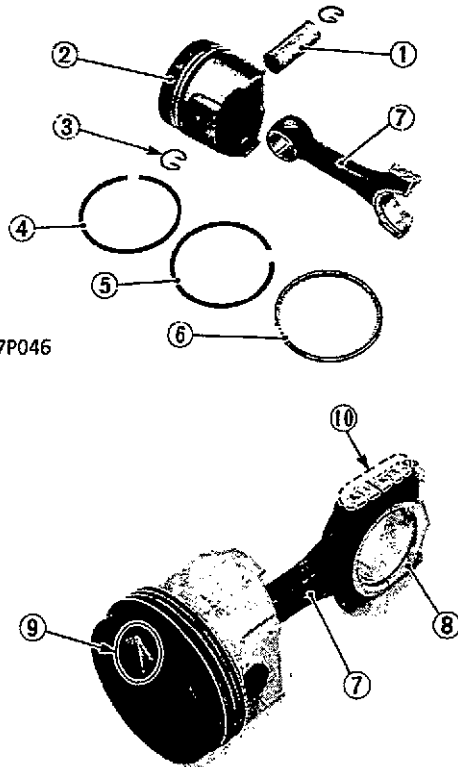
**■ WICHTIG**

- Die Kombination von Zylinder und Kolben darf nicht verwechselt werden. Die Position eines jeden Kolbens ist zu markieren. z.B. Markierung "1" auf dem Kolben Nr.1.
- Beim Einsetzen des Kolbens in den Zylinder den Spalt des Verdichterringes 1 an der gegenüberliegenden Seite der Verbrennungskammer anordnen und die Spalten von verdichterring 2 und Ölabbstreifring so anordnen, daß sie einen rechten Winkel zum Spalt des verdichterringe 1 bilden.
- Die Kolben mit Hilfe eines Kolbenringverdichters (1) vorsichtig einsetzen. Anderenfalls besteht die Gefahr, daß der verchromte Abschnitt verkratzt wird und Störungen in der Buchse auftreten.

(1) Kolbenringverdichter

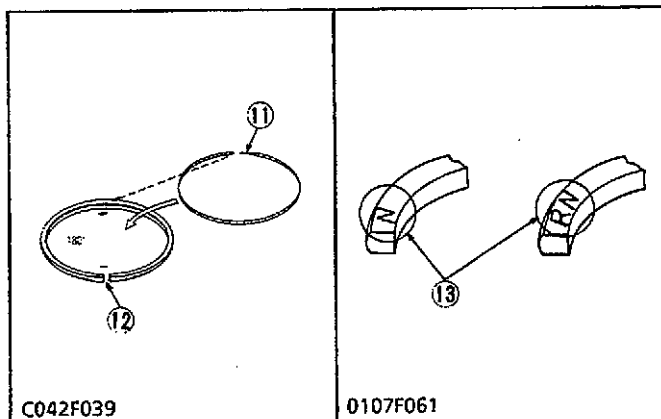
- (a) Verbrennungskammer
- (b) Spalt des Verdichterringes 1
- (c) Spalt des Verdichterringes 2
- (d) Spalt des Ölabbstreifringes





0107P046

0107P047



C042F039

0107F061

### Piston Ring and Connecting Rod

1. Remove the piston rings using a piston ring tool.
2. Put the parting mark (for example, ↑) (9) on the piston head as shown in photograph.
3. Remove the piston pin (1), and separate the connecting rod (7) from the piston (2).

#### (When reassembling)

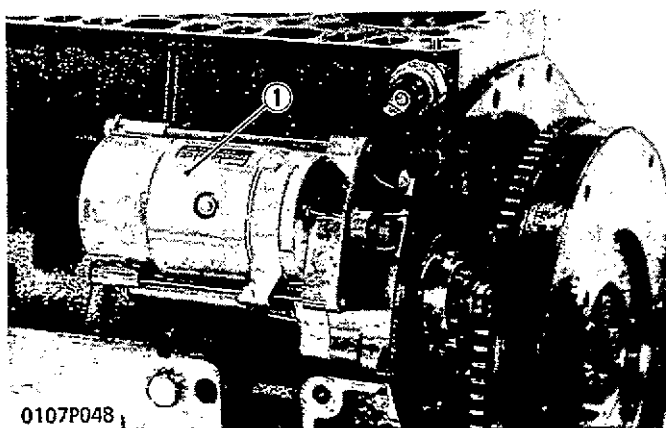
- When installing the ring, assemble the rings so that the manufacturer's mark (13) near the gap faces the top of the piston.
- When installing the oil ring onto the piston, place the expander joint (11) on the opposite side of the oil ring gap (12).
- Apply engine oil to the piston pin.
- When installing the piston pin, immerse the piston in 80°C (176°F) oil for 10 to 15 minutes and insert the piston pin to the piston.
- When installing the connecting rod to the piston, align the mark (10) on the connecting rod to the parting mark (9).

#### ■ IMPORTANT

- Mark the same number on the connecting rod and the piston so as not to change the combination.

- (1) Piston Pin
- (2) Piston
- (3) Piston Pin Snap Ring
- (4) Compression ring 1
- (5) Compression Ring 2
- (6) Oil Ring
- (7) Connecting Rod
- (8) Connecting Rod Cap
- (9) parting Mark
- (10) Mark
- (11) Expander Joint
- (12) Oil Ring Gap
- (13) Manufacturer's Mark

## [6] FLYWHEEL AND CRANKSHAFT



0107P048

### Starter

1. Remove the starter (1).
- (1) Starter

### Segments et bielles

1. Enlever les segments à l'aide de l'outil de serrage de segments.
2. Mettre le repère de séparation (par exemple, ↑) (9) sur le sommet du piston, comme illustré dans la photographie.
3. Enlever l'axe du piston (1) et séparer la bielle (7) du piston (2).

#### (Au remontage)

- Lors de la mise en place des segments, monter ces derniers de manière à ce que le repère du fabricant (13) à proximité du jeu de coupe soit orienté vers le sommet du piston.
- Pour monter le segment raclleur sur le piston, placer le joint de dilatation (11) du côté opposé à la coupe du segment raclleur (12).
- Enduire d'huile moteur l'axe du piston.
- Lors de la mise en place de l'axe de piston, immerger ce dernier pendant 10 à 15 minutes dans de l'huile à 80°C, puis introduire l'axe dans le piston.
- Pour monter la bielle sur le piston, aligner le repère (10) de la bielle sur le repère de séparation (9).

#### ■ IMPORTANT

- Marquer le même numéro sur la bielle et sur le piston pour retrouver la même combinaison.

- (1) Axe de piston
- (2) Piston
- (3) Circlip d'axe de piston
- (4) Segment 1 de compression
- (5) Segment 2 de compression
- (6) Segment raclleur
- (7) Bielle
- (8) Chapeau de bielle
- (9) Repère de séparation
- (10) Repère
- (11) Joint de dilatation
- (12) Coupe du segment raclleur
- (13) Repère du fabricant

## [6] VOLANT ET VILEBREQUIN

### Démarrateur

1. Enlever le démarreur (1).
- (1) Démarrateur

### Kolbenring und Pleuelstange

1. Die Kolbenringe mit Hilfe eines Kolbenringwerkzeuges entfernen.
2. Die Trennmarkierung (z.B. ↑) (9) am Kolbenboden, wie in der Abbildung gezeigt, einsetzen.
3. Den Kolbenbolzen (1) entfernen und die Pleuelstange (7) vom Kolben (2) trennen.

#### (Beim Wiedereinbau)

- Beim Einbau der Ringe müssen diese so angeordnet werden, daß die Markierung (13) des Herstellers nahe dem Spalt zur Spitze des Kolbens hin zeigt.
- Bei der Anbringung des Ölabbstreifringes auf dem Kolben, das Spreizrohr (11) an der entgegengesetzten Seite des Ölabbstreifringespalts (12) ansetzen.
- Den Kolbenbolzen mit einer Schicht Motoröl versehen.
- Beim Einbau des Kolbenbolzens, den Kolben 10 bis 15 Minuten in Öl (80°C) eintauchen und dann den Kolbenbolzen in dem Kolben einsetzen.
- Bei der Anbringung der Pleuelstange am Kolben, die Markierung (10) auf der Pleuelstange mit der Trennmarkierung (9) ausrichten.

#### ■ WICHTIG

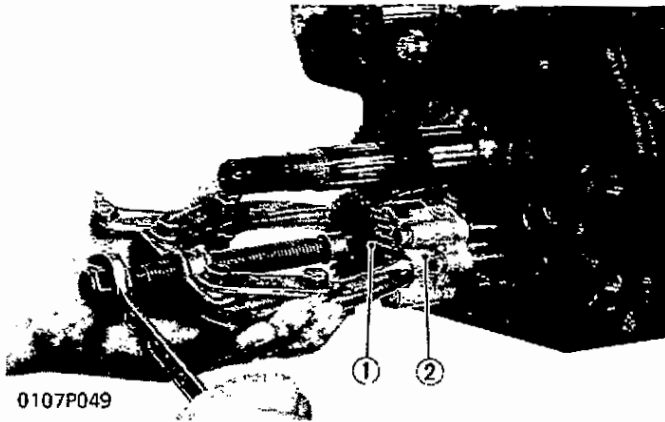
- Die Pleuelstange und den Kolben mit der gleichen Nummer versehen, um eine Verwechslung zu vermeiden.

- (1) Kolbenbolzen
- (2) Kolben
- (3) Kolbenbolzen-Sicherungsring
- (4) Verdichterring 1
- (5) Verdichterring 2
- (6) Ölabbstreifring
- (7) Pleuelstange
- (8) Pleuelstängendeckel
- (9) Trennmarkierung
- (10) Markierung
- (11) Spreizrohr
- (12) Ölabbstreifringspalt
- (13) Markierung

## [6] SCHWUNGRAD UND KURBELWELLE

### Anlasser

1. Den Anlasser (1) entfernen.
- (1) Anlasser

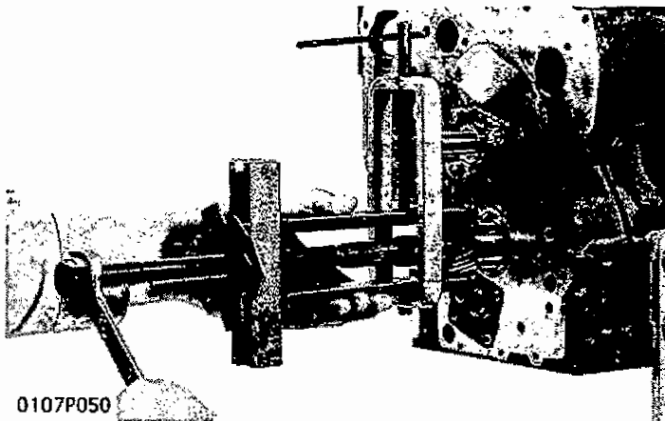


### Oil Pump

1. Straighten the claw washer, and remove the nut.
2. Pull out the oil pump drive gear (1) with a puller.
3. Remove the oil pump mounting bolts.
4. Remove the oil pump (2).

(1) Oil Pump Drive Gear

(2) Oil Pump

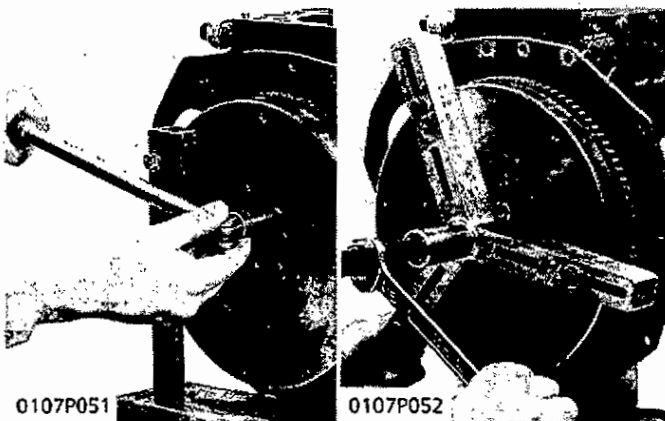


### Crank Gear

1. Remove the crank gear with a special-use puller set (Code No: 07916-09032).
2. Remove the feather key on the crankshaft.

#### (When reassembling)

- Check to see that the feather key is on the crankshaft.  
Heat the crank gear to approx. 80°C (176°F), and fit on the crankshaft.



### Flywheel

1. Lock the flywheel not to turn using the flywheel stopper.
2. Remove the flywheel screws, except for two which must be loosened and left as they are.
3. Set a flywheel puller (Code No: 07916-32011), and remove the flywheel.

#### (When reassembling)

- Apply engine oil to the flywheel screws.

**Pompe à huile**

1. Redresser la rondelle à ergot et enlever l'écrou.
2. Retirer le pignon d'entraînement (1) de la pompe à huile avec un extracteur.
3. Enlever les vis de fixation de la pompe à huile.
4. Enlever la pompe à huile (2).

- (1) Pignon d'entraînement de la pompe à huile  
 (2) Pompe à huile

**Pignon de lancement**

1. Enlever le pignon de lancement avec le jeu d'extraction spécial (Référence 07916-09032).
2. Enlever la clavette du vilebrequin.

**(Au remontage)**

- Vérifier que la clavette se trouve sur le vilebrequin.
- Chauffer le pignon de lancement à environ 80°C et le monter sur le vilebrequin.

**Volant**

1. Bloquer le volant de sorte qu'il ne tourne pas avec la butée de volant.
2. Enlever les vis du volant, à l'exception des deux qui doivent être simplement desserrées et laisser où elles sont.
3. Monter l'extracteur de volant (Référence 07916-32011), puis enlever le volant.

**(Au remontage)**

- Enduire d'huile moteur les vis du volant.

**Ölpumpe**

1. Die Klauenscheibe geradebiegen und die Mutter entfernen.
2. Den Ölpumpenantrieb (1) mit Hilfe einer Abziehvorrichtung entfernen.
3. Die Befestigungsschrauben der Ölpumpe entfernen.
4. Die Ölpumpe (2) herausnehmen.

- (1) Ölpumpenantrieb  
 (2) Ölpumpe

**Kurbelgetriebe**

1. Das Kurbelgetriebe mit Hilfe einer Spezial-Abziehvorrichtung (Code Nr. 07916-09032) entfernen.
2. Den Federkeil auf der Kurbelwelle entfernen.

**(Beim Wiedereinbau)**

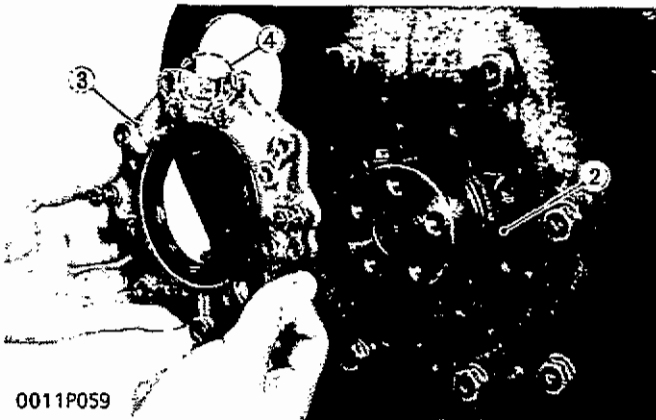
- Prüfen, ob der Federkeil auf der Kurbelwelle aufsitzt.
- Das Kurbelgetriebe auf etwa 80°C erwärmen und auf der Kurbelwelle einsetzen.

**Schwungrad**

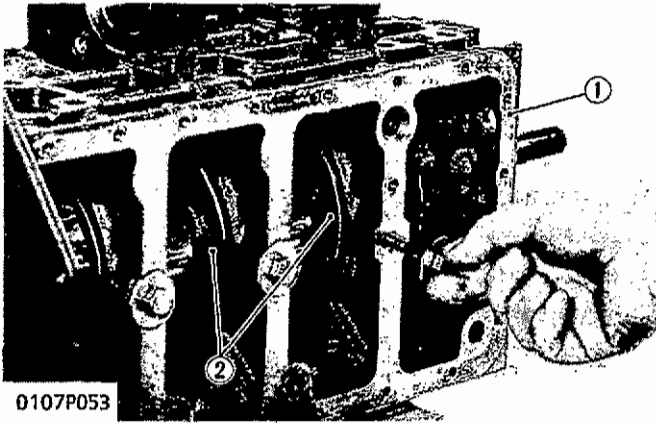
1. Das Schwungrad mit der Schwungrad-Bremsvorrichtung sichern, so daß es nicht drehen kann.
2. Die Schwungradschrauben entfernen, außer zwei Schrauben, die gelost und so belassen werden.
3. Eine Schwungrad-Abziehvorrichtung (Code Nr. 07916-32011) ansetzen und das Schwungrad entfernen.

**(Beim Wiedereinbau)**

- Auf die Schwungradschrauben eine Schicht Motoröl auftragen.



0011P059



0107P053

### Bearing Case Cover and Crankshaft

#### NOTE

- Before disassembling, check the side clearance of crankshaft. Also check it during reassembly.

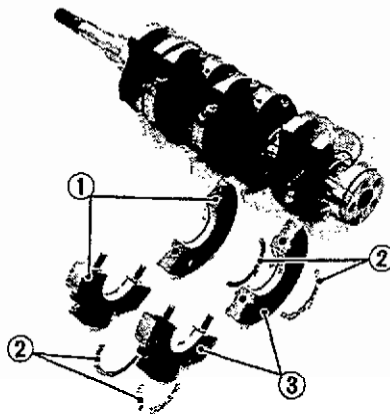
1. Remove the bearing case cover mounting screws.
2. Screw two removed screws into the screw hole of bearing case cover to remove it.
3. Stretch the washer and remove the bearing case screw 2.
4. Pull out the crankshaft.

(When reassembling)

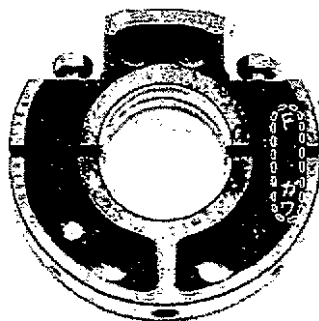
#### IMPORTANT

- Install the crankshaft sub assembly, aligning the screw hole of main bearing case 2 (2) with the screw hole of cylinder block (1).
- Apply engine oil to the seat and thread of bearing case screw 2. After tightening it, bend the washer firmly.
- Install the bearing case cover (3) to position the casting mark "上" on it upward.
- Tighten the bearing case cover mounting screws with even force on the diagonal line.

- (1) Cylinder Block
- (2) Main Bearing Case 2
- (3) Bearing Case Cover
- (4) Top Mark (上)



0107P055



0107P056

### Main Bearing Case Assembly

1. Remove the two bearing case screws 1, and remove the main bearing case assembly 1 (3), being careful with the thrust bearing (2) and crankshaft bearing 2.
2. Remove the main bearing case assemblies 2, 3, as above.

(When reassembling)

- Clean the oil passage in the main bearing case.
- Apply clean engine oil on the crankshaft bearing 2 and thrust bearings.
- Install the main bearing case assemblies in the original positions. They are not interchangeable.
- When installing the main bearing case assemblies 2, 3, face the mark "Fガワ" to the flywheel.
- Be sure to install the thrust bearing with its oil groove facing outward.

- (1) Main Bearing Case Assembly 2
- (2) Thrust Bearing
- (3) Main Bearing Case Assembly 1

**Couvercle de palier et vilebrequin****■ NOTA**

- Avant la dépose, vérifier le jeu latéral du vilebrequin. Vérifier également cet jeu lors de la repose.

1. Déposer les vis de montage de couvercle de palier.
2. Enfoncer deux vis déposées dans le couvercle de palier pour enlever celui-ci.
3. Déplier la rondelle et déposer la vis de palier 2.
4. Retirer le vilebrequin.

**(Au remontage)****■ IMPORTANT**

- Mettre en place le sous-ensemble de vilebrequin, en alignant le trou de vis du palier principal 2 (2) sur celui du bloc-moteur (1).
- Enduire d'huile moteur le siège et le filet de la vis de palier 2. Après l'avoir serrée, replier fermement la rondelle.
- Mettre en place le couvercle de palier (3) en orientant le repère " 上 " vers le haut.
- Serrer les vis de montage de couvercle de palier à un couple uniforme sur la diagonale.

- (1) Bloc-moteur  
 (2) Palier principal 2  
 (3) Couvercle de Palier  
 (4) Repère supérieur ( 上 )

**Ensemble de palier principal**

1. Enlever les deux vis 1 de palier, et enlever l'ensemble de palier principal 1 (3) en faisant attention au palier de butée (2) et au palier 2 de vilebrequin.
2. Enlever les ensembles de palier principal 2, 3, comme ci-dessus.

**(Au remontage)**

- Nettoyer le passage d'huile de palier principal.
- Enduire d'huile moteur propre le palier 2 du vilebrequin et les paliers de butée.
- Monter les ensembles de palier principal dans leur position d'origine. Ne pas modifier l'ordre.
- Au montage des ensembles de palier principal 2, 3, de boîte principale, le repère " フガワ " doit regarder vers le volant.
- Veiller à ce que la rainure à huile du palier de butée regarde vers l'extérieur.

- (1) Ensemble de palier principal 2  
 (2) Palier de butée  
 (3) Ensemble de palier principal 1

**Lagerschalendeckel und Kurbelwelle****■ ANMERKUNG**

- Vor dem Zerlegen das Seitenspiel der Kurbelwelle überprüfen. Dasselbe auch während des Zusammenbaus vornehmen.

1. Die Befestigungsschrauben für den Lagerschalendeckel lösen.
2. Zwei der entfernten Schrauben in den Lagerschalendeckel hereinschrauben, um den Deckel zu entfernen.
3. Die Scheibe strecken und die Lagerschalenschraube 2 entfernen.
4. Die Kurbelwelle herausziehen.

**(Beim Wiedereinbau)****■ WICHTIG**

- Die Kurbelwelle-Unterbaugruppe einbauen und dabei das Schraubenloch der Hauptlagerschale 2 (2) mit dem Schraubenloch des Zylinderblock (1) ausrichten.
- Motoröl auf den Sitz und das Gewinde der Lagerschalenschraube 2 auftragen. Nach dem Anziehen die Schraube fest umbiegen.
- Den Lagerschalendeckel (3) mit der " 上 " Marke nach oben ausgerichtet einbauen.
- Die Befestigungsschrauben für den Lagerschalendeckel in Kreuzmuster mit gleicher Kraft anziehen.

- (1) Zylinderblock  
 (2) Hauptlagerschale 2  
 (3) Lagerschalendeckel  
 (4) Obere Markierung ( 上 )

**Hauptlagergehäuse**

1. Die zwei Lagergehäuseschrauben 1 und das Hauptlagergehäuse 1 (3) entfernen. Hierbei das Drucklager (2) und das Kurbelwellenlager 2 vorsichtig behandeln.
2. Die Hauptlagergehäuseanordnungen 2, 3, wie oben, entfernen.

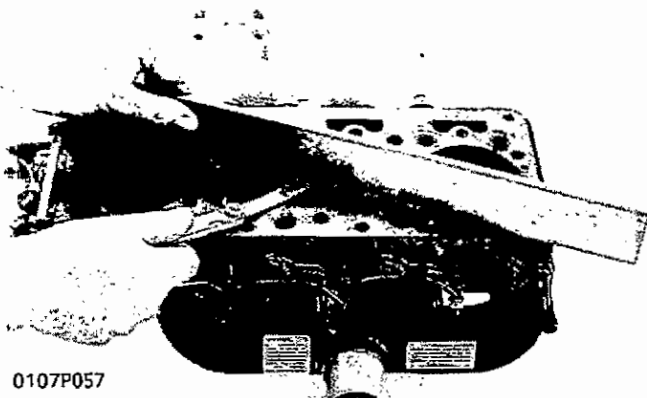
**(Beim Wiedereinbau)**

- Den Öldurchgang im Hauptlagergehäuse reinigen.
- Auf die Kurbelwellenlage 2 und die Drucklager eine Schicht sauberes Motoröl auftragen.
- Die Hauptlagergehäuse in der ursprünglichen Position einsetzen. Sie können nicht untereinander ausgetauscht werden.
- Beim Einbau der Hauptlagergehäuse 2, 3, darauf achten, daß die Markierung " フガワ " in Richtung Schwungrad zeigt.
- Darauf achten, daß beim Einbau des Drucklagers die Ölnut nach außen zeigt.

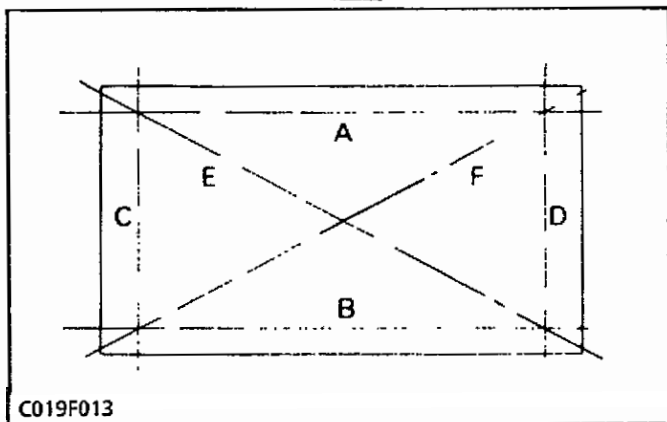
- (1) Hauptlagergehäuse 2  
 (2) Drucklager  
 (3) Hauptlagergehäuse 1

# SERVICING

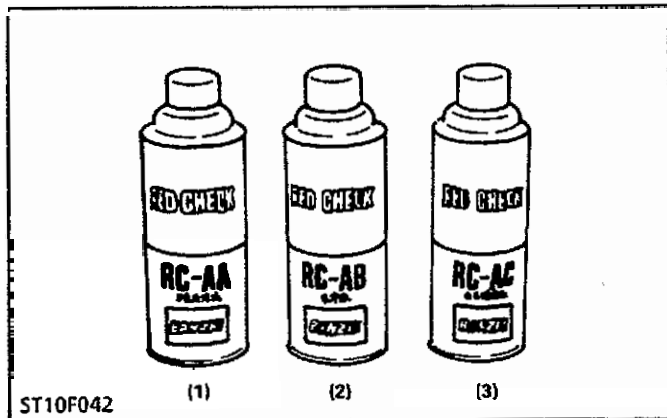
## [1] CYLINDER HEAD



0107P057



C019F013



ST10F042



0102P044

### Cylinder Head Surface Flatness

1. Thoroughly clean the cylinder head surface.
2. Place a straightedge on the cylinder head's four sides and two diagonal as shown in the figure. Measure the clearance with a feeler gauge.
3. If the measurement exceeds the allowable limit, correct it with a surface grinder.

#### ■ NOTE

- Do not place the straight edge on the combustion chamber.

#### ■ IMPORTANT

- Be sure to check the valve recessing after correcting.

### Cylinder Head Flaw

1. Prepare an air spray red check (Code No: 07909-31371).
2. Clean the surface of the cylinder head with detergent (2).
3. Spray the cylinder head surface with the red permeative liquid (1). Leave it five to ten minutes after spraying.
4. Wash away the red permeative liquid on the cylinder head surface with the detergent (2).
5. Spray the cylinder head surface with white developer (3). If flawed, it can be identified as red marks.

### Valve Recessing

1. Clean the cylinder head, the valve face and seat.
2. Insert the valve into guide.
3. Measure the valve recessing with a depth gauge.
4. If the measurement exceeds the allowable limit, replace the valve.  
If it still exceeds the allowable limit after replacing the valve, correct the valve seat face of the cylinder head with a valve seat cutter (Code No: 07909-33102) or valve seat grinder. Then, correct the cylinder head surface with a surface grinder. Or, replace the cylinder head.

## ENTRETIEN

### [1] CULASSE

#### Planéité de la surface de la culasse

1. Nettoyer complètement la surface de la culasse.
2. Placer une règle sur les quatre coins et deux diagonales de la culasse comme indiqué sur la figure.  
Mesurer le jeu à l'aide d'une jauge d'épaisseur.
3. Si la valeur mesurée excède la limite de service, corriger le jeu à l'aide d'une machine à rectifier les surfaces planes.

#### ■ NOTA

- Ne pas présenter la règle droite sur la chambre de combustion.

#### ■ IMPORTANT

- S'assurer de bien vérifier le retrait de soupape après rectification.

#### Defaut de surface de culasse

1. Préparer un liquide de vérification de fissure (Référence: 07909-31371).
2. Nettoyer la surface de culasse avec un détergent (2).
3. Pulvériser du liquide imprégnant rouge (1) sur la surface de la culasse et la laisser reposer pendant cinq à dix minutes.
4. Laver la surface de la culasse avec le détergent (2) pour éliminer le liquide imprégnant rouge.
5. Pulvériser du produit révélateur blanc (3) sur la surface de la culasse.  
S'il y a des fissures, on peut les voir apparaître sous forme de marque rouge.

#### Retrait des soupapes

1. Nettoyer la culasse, la soupape et le siège.
2. Insérer la soupape dans le guide.
3. Mesurer le retrait de soupape à l'aide d'un calibre de profondeur.
4. Si la valeur mesurée excède la limite de service, remplacer la soupape. Si elle est supérieure à la limite de service même après remplacement du soupape, rectifier la surface du siège de soupape de la culasse à l'aide d'un coupe-siège (Référence: 07909-33102) ou d'une rectifieuse de siège. Ensuite, rectifier la surface de la culasse à l'aide d'une rectifieuse plane, remplacer la culasse.

## WARTUNG

### [1] ZYLINDERKOPF

#### Abflachung der Zylinderkopffläche

1. Die Zylinderkopffläche gründlich reinigen.
2. Ein Abrichtlineal auf die vier Seiten des Zylinderkopfes legen und zwei Diagonale zeichnen wie in der Abbildung gezeigt.  
Das Spiel mit einer Fühlerlehre messen.
3. Überschreitet die Abmessung den zulässigen Grenzwert, mit einem Planschleifer berichtigen.

#### ■ ANMERKUNG

- Das Abrichtlineal nicht auf die Verbrennungskammer legen.

#### ■ WICHTIG

- Sicherstellen, daß nach der Korrektur die Ventilaussparung überprüft wird.

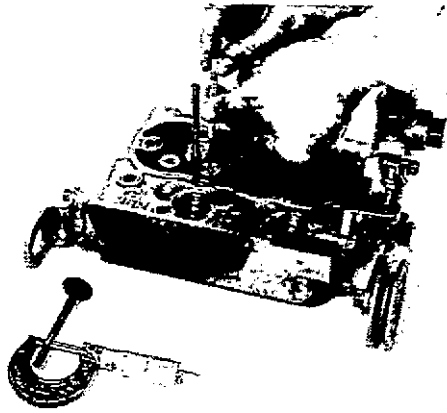
#### Sprung in der Zylinderkopffläche

1. Eine Flüssigkeit zur Ermittlung von Rissen (CodeNr.: 07909-31371) vorbereiten.
2. Die Zylinderkopffläche mit einem Reinigungsmittel (2) säubern.
3. Die Zylinderkopffläche mit der roten Flüssigkeit (1) einsprühen.  
Nach dem spritzen 10 Minuten lang stehen lassen.
4. Mit einem Reinigungsmittel (2) die rote Flüssigkeit auf der Zylinderkopffläche abwaschen.
5. Die Zylinderkopffläche mit der weißen Entwicklerflüssigkeit (3) einsprühen.  
Eventuelle Fehler können als rote Markierungen identifiziert werden.

#### Ventilvertiefung

1. Den Zylinderkopf, die Ventilsitzfläche und den Ventilsitz reinigen.
2. Das Ventil in die Ventilführung einschieben.
3. Die Ventilvertiefung mit Hilfe einer Tiefenlehre messen.
4. Überschreitet die Messung die zulässige Grenze das Ventil auswechseln.  
Wird die zulässige Grenze nach Auswechslung des Ventils noch immer überschritten, die Ventilvertiefung des Zylinderkopfes mit einem Ventilsitzschneider (CodeNr. 07909-33102) oder mit einer Ventilsitzschleifmaschine berichtigen. Danach die Zylinderkopffläche mit einer Planschleifmaschine berichtigen, oder den Zylinderkopf auswechseln.

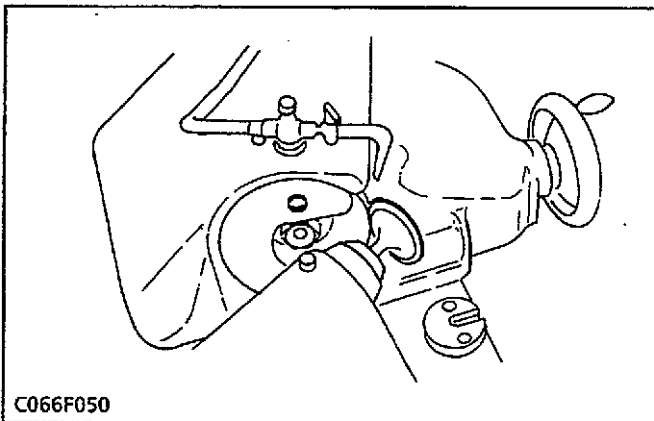




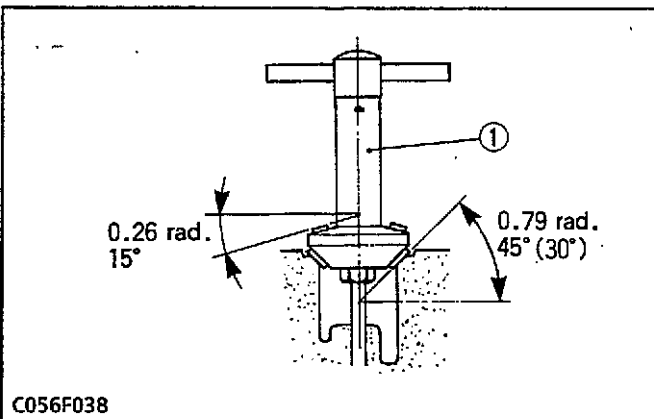
0158P009

### Clearance between Valve Stem and guide

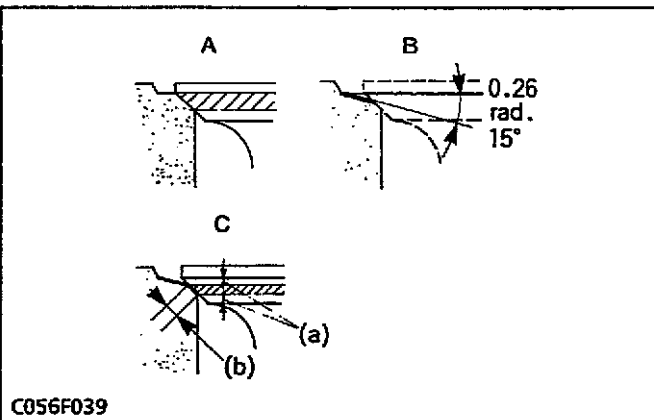
1. Remove carbon from the valve guide section.
2. Measure the valve stem O.D. with an outside micrometer.
3. Measure the valve guide I.D. of the cylinder head at the most wear part as shown in the figure below with a small hole gauge. And calculate the clearance.
4. If the clearance exceeds the allowable limit, replace the valves. If it still exceeds the allowable limit, replace the valve guide.



C066F050



C056F038



C056F039

### Correcting Valve and Valve Seat

#### ■ NOTE

- Before correcting the valve and seat, check the valve stem and the I.D. of the valve guide section, and repair them if necessary.
- After correcting the valve seat, be sure to check the valve recessing.

#### 1) Correcting Valve

1. Correct the valve with a valve refacer.

#### 2) Correcting Valve Seat

1. Slightly correct the seat surface with a 45° or 30° valve seat cutter (1) (Code No: 07909-33102).
2. Fitting the valve, check the contact position of the valve face and seat surface with red lead. (Visual check) [If the valve is used for a long period of time, it deviates to the upper part of the valve face, causing the seat to contact.]
3. Grind the seat surface with a 15° valve seat cutter so that the valve seat width contacts in the same dimensions from the center of the valve face width.
4. Repeatedly lap the valve and seat until the seated rate is more than 70%.

[A] Check Contact

[B] Correct Seat Width

[C] Check Contact

(a) Identical Dimensions

(b) Valve Seat Width

### Jeu entre la queue de soupape et le guide de soupape

1. Eliminer la calamine du guide de soupape.
2. Mesurer le diamètre extérieur de la queue de soupape au moyen d'un micromètre d'extérieur.
3. Mesurer le diamètre intérieur du guide de soupape de la culasse sur la partie la plus usée comme indiqué sur la figure ci-dessous à l'aide d'un calibre pour trous. Et, calculer le jeu.
4. Si le jeu dépasse la limite de service, remplacer les soupapes. S'il excède toujours la limite de service, remplacer la culasse.

### Rectification de soupape et du siège de soupape

#### ■ NOTA

- Avant de rectifier la soupape et le siège, vérifier la queue de soupape et le diamètre intérieur de la partie de guide de soupape, et les réparer si nécessaire.
- Après correction du siège de soupape, ne pas manquer de vérifier le retrait de soupape.

#### 1) Rectification de la soupape

1. Rectifier la soupape à l'aide d'un rectifieuse de soupape.

#### 2) Rectification du siège de soupape

1. Rectifier légèrement la surface de siège à l'aide d'un coupe-siège de soupape 45° ou 30° (Référence: 07909-33102).
2. Ajustage de la soupape: Vérifier la partie de contact entre la face de soupape et la face de siège avec du minium. (Contrôle visuel) [Si la soupape est utilisée pendant une période prolongée, la soupape dévie de la partie supérieure de la face de soupape, entraînant ainsi un coincement du siège.]
3. Meuler la face de siège à l'aide d'un coupe-siège de soupape de 15°, de telle façon que le siège de soupape se met en contact avec la soupape de la même distance dans les deux sens par rapport au centre de la face de soupape.
4. Roder la soupape et le siège jusqu'à ce que le taux de portage soit supérieur à 70%.

[A] Vérification du contact

[B] Rectification de largeur du siège

[C] Vérification du contact

(a) Dimensions identiques

(b) Largeur du siège de soupape

### Spiel zwischen Ventilschaft und Ventilfehrung

1. Ölkohle vom Ventilfehrungsteil entfernen.
2. Mit einem Außenmikrometer den Ventilschaft-Außendurchmesser messen.
3. Mit einer kleinen Bohrungslehre den Ventilfehrungs-Innendurchmesser am meist verschlissenen Teil messen wie in der Abbildung unten dargestellt. Das Spiel berechnen.
4. Überschreitet das Spiel den zulässigen Grenzwert ist das Ventil auszuwechseln. Wird der zulässigen Grenzwert noch immer überschritten ist der Zylinderkopf austauschen.

### Berichtigung von Ventil und Ventilsitz

#### ■ ANMERKUNG

- Vor der Korrektur des Ventils und Ventilsitzes, den Ventilschaft und den I.D. des Ventilfehrungsteiles messen und ggf. berichtigen
- Nach der Berichtigung des Ventilsitzes ist die Ventilaussparung zu überprüfen.

#### 1) Berichtigung des Ventils

1. Das Ventil mit einem Ventileinschleifer berichtigen.

#### 2) Berichtigung des Ventilsitzes

1. Mit einem 45° oder 30° Ventilsitzfräser (CodeNr. 07909-33102) die Sitzfläche leicht korrigieren.
2. Beim Anpassen des Ventils die Kontaktposition der Ventilsitzfläche und der Sitzfläche mit Bleimennige überprüfen. (Sichtkontrolle) [Wird das Ventil eine lange Zeit verwendet, verbiegt sich der Oberteil der Ventilsitzfläche, so daß sie den Sitz berührt.]
3. Die Sitzfläche mit einem 15° Ventil-sitzfräser schleifen, damit die Ventilsitzbreite zum gleichen Ausmaß von der Mitte der Ventilsitzbreite aus einen Kontakt macht.
4. Das Ventil und den Ventilsitz wiederholt läppen, bis der Sitzungsgrad mehr als 70% beträgt.

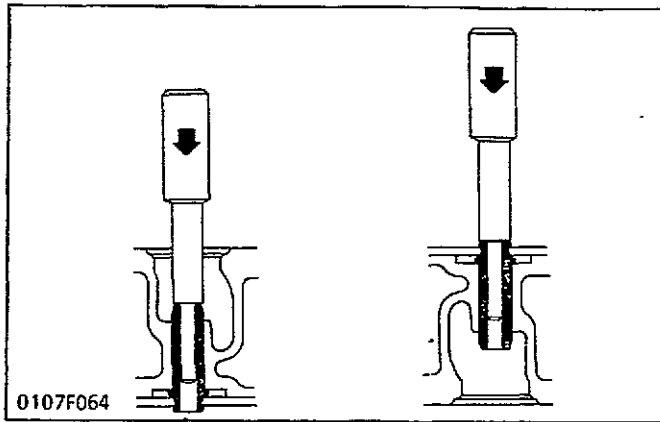
[A] Den Kontakt prüfen

[B] Die Sitzbreite berichtigen

[C] Den Kontakt prüfen

(a) Identische Abmessungen

(b) Ventilsitzbreite

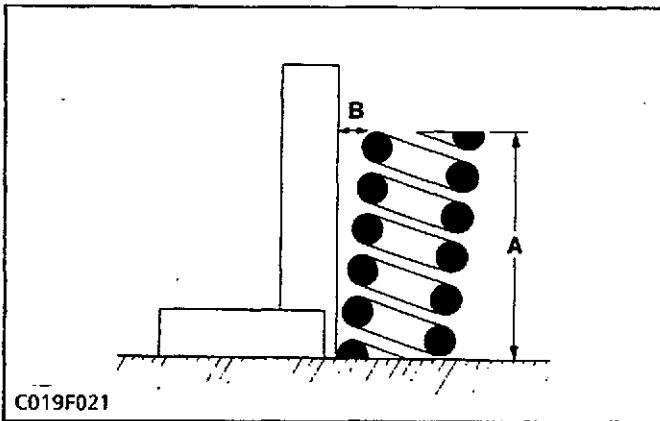


### Replacing Valve Guide

1. Press the used valve guide out from the cylinder head's lower side using a valve guide replacing tool.
2. Apply engine oil to the outer surface of the new valve guide, and press fit the valve guide from the cylinder head's upper side until the flange part of the valve guide contacts the cylinder head.
3. After press-fitting, finish the valve guide by means of reaming to dimensions shown in previous table.

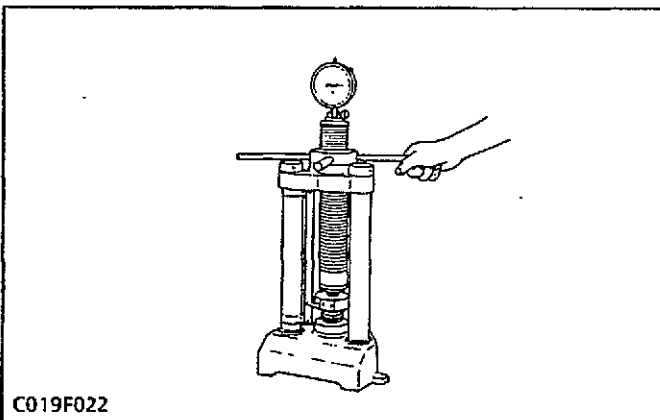
#### NOTE

- Be careful not to strike valve guide with a hammer, etc. during replacement.



### Free Length and Tilt of Valve Spring

1. Measure the length A with vernier calipers. If the measurement is less than the allowable limit, replace.
2. Put the spring on a surface plate, place a square on the side of the spring, and check to see if the entire side is in contact with the square. Rotate the spring and measure the maximum B. If the measurement exceeds the allowable limit, replace.
3. Check the entire surface of the spring for scratches. Replace it, if any.



### Valve Spring Setting Load

1. Place the spring on a tester and compress it to the same length it is actually compressed in the engine.
2. Read the compression load on the gauge.
3. If the measurement exceeds the allowable limit, replace it.



### Oil Clearance of Rocker Arm Shaft and Bearing

1. Measure the rocker arm bearing I.D. with an inside micrometer.
2. Measure the rocker arm shaft O.D. with an outside micrometer, and then calculate the oil clearance.
3. If the clearance exceeds the allowable limit, replace the rocker arm and measure the oil clearance again. If it still exceeds the allowable limit, replace also the rocker arm shaft.

**Remplacement de guide de soupape**

1. Extraire le guide de soupape usé de la culasse, par le côté inférieur, en utilisant l'outil de remplacement de guides de soupape.
2. Enduire d'huile moteur la surface extérieure du guide de soupape neuf et le monter à la presse par le côté haut de la culasse, jusqu'au moment où la partie bridée tulipe du guide de soupape entre en contact avec la culasse.
3. Après avoir fait le montage à la presse, terminer le guide de soupape en l'alésant aux dimensions indiquées dans le tableau précédent.

**NOTA**

- Veiller à ne pas heurter le guide de soupape avec un marteau ou un autre objet pendant le remplacement.

**Longueur libre et inclinaison du ressort de soupape**

1. Mesurer la longueur A à l'aide d'un pied à coulisse. Si la valeur mesurée est inférieure à la limite de service, remplacer.
2. Placer un ressort sur un plateau de dressage, mettre une équerre sur le côté du ressort et vérifier si le côté entier entre en contact avec l'équerre. Tourner le ressort et mesurer la valeur maximum B. Si la valeur mesurée dépasse la limite de service, remplacer.
3. Vérifier la surface entière du ressort pour constater l'absence ou la présence de rayures. S'il en existe, remplacer le ressort.

**Charge de prééglage du ressort de soupape**

1. Placer le ressort sur un appareil d'essai et le bander à la même longueur que celui bandé réellement dans le moteur.
2. Lire la force de compression sur l'indicateur.
3. Si la valeur lue excède la limite de service, remplacer le ressort.

**Jeu de marche entre l'axe de culbuteur et la coussinet**

1. Mesurer le diamètre intérieur de la coussinet de culbuteur à l'aide d'un micromètre intérieur.
2. Mesurer le diamètre extérieur de l'axe de culbuteurs avec un micromètre extérieur et calculer l'importance du jeu.
3. Si le jeu excède la limite de service, remplacer le culbuteur et mesurer à nouveau le jeu de marche. Si le jeu est encore supérieur à la limite de service, remplacer également le support de culbuteur.

**Austausch der Ventileführung**

1. Die alte Ventileführung an der Unterseite des Zylinderkopfes mit Hilfe eines für den Austausch von Ventileführungen vorgesehenen Werkzeuges herausdrücken.
2. Die Außenfläche der neuen Ventileführung mit einer Schicht Motoröl versehen und die Ventileführung von der oberen Seite des Zylinderkopfes einsetzen, bis der Flanschteil der Ventileführung den Zylinderkopf berührt.
3. Nach dem Einsetzen die Ventileführung auf die in der vorstehenden Tabelle angegebenen Abmessungen nachschleifen.

**ANMERKUNG**

- Während des Austauschs darf die Ventileführung nicht mit einem Hammer oder einem anderen Werkzeug eingeschlagen werden.

**Spannungsfreie Länge und Neigung der Ventilfeeder**

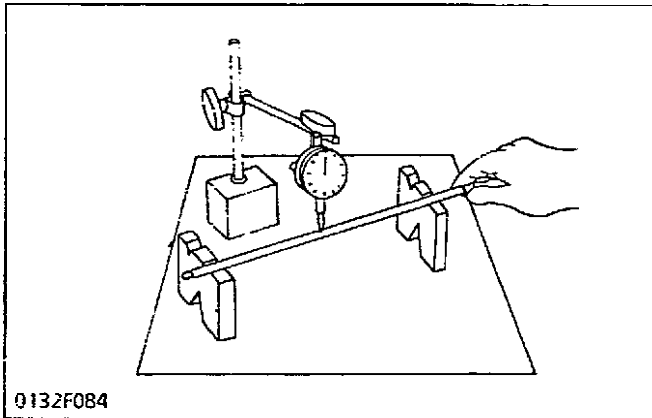
1. Länge A mit einer Noniusschublehre messen. Überschreitet die Messung den zulässigen Grenzwert, austauschen.
2. Die Feder auf eine Prüfplatte legen, ein Dreieck entlang der Federseite legen und überprüfen, ob die ganze Seite mit dem Dreieck in Berührung ist. Die Feder drehen und den maximalen B-Wert messen. Überschreitet die Messung den zulässigen Grenzwert, austauschen.
3. Die ganze Federoberfläche auf Kratzer überprüfen. Sind welche vorhanden, austauschen.

**Einstellast der Ventilfeeder**

1. Die Feder auf ein Testgerät legen und auf die selbe Länge zusammenpressen wie sich tatsächlich im Motor zusammengepreßt wird.
2. Die Kompressionslast auf dem Prüfgerät ablesen.
3. Überschreitet die Messung den zulässigen Grenzwert, die Feder austauschen.

**Ölspiel zwischen Kipphebelweelle und Lager**

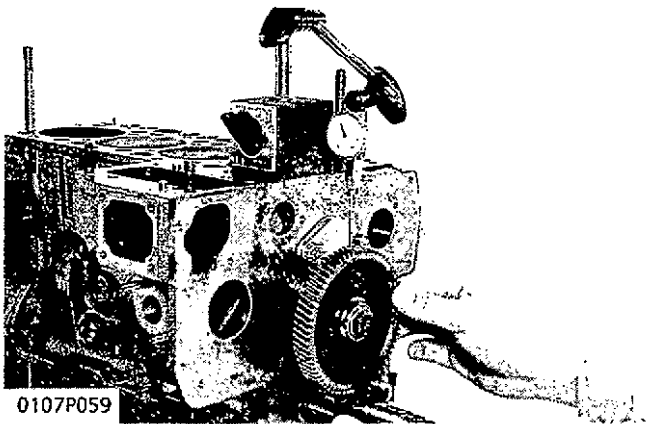
1. Den Innendurchmesser der Kipphebelager mit einem Innenmikrometer messen.
2. Den Außendurchmesser der Kipphebelachse mit einem Außenmikrometer messen und das Spiel berechnen.
3. Überschreitet der Spiel den zulässigen Grenzwert, den Kipphebel austauschen und den Ölspiel wieder messen. Wenn der zulässige Grenzwert noch immer überschritten wird, auch den Kipphebelträger austauschen.



### Push Rod Alignment

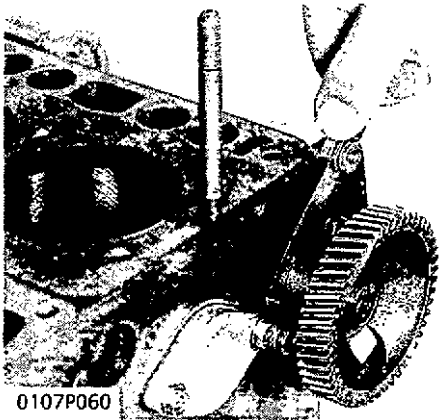
1. Check the both end of the push rod for cracks, damage and unusual wear.
2. Measure the bending of the push rod with a dial indicator.
3. If the measurement exceeds the allowable limit, replace the push rod.

## [2] TIMING GEAR AND CAMSHAFT



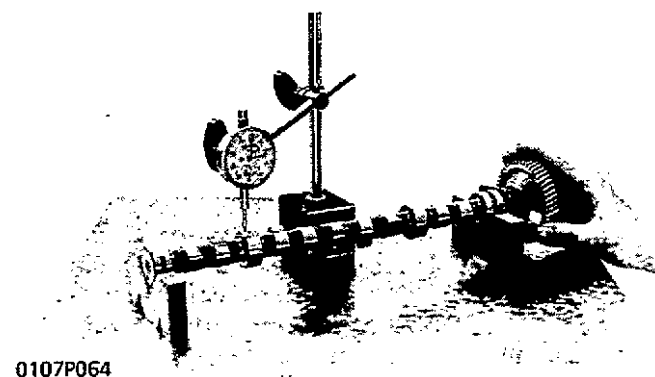
### Timing Gear Backlash

1. Set a dial indicator (lever type) with its tip on the gear tooth.
2. Move the gear to measure the backlash, holding its mating gear.
3. If the backlash exceeds the allowable limit, check the oil clearance of the shafts and gear.
4. If the oil clearance is proper, replace the gear.



### End Play of Camshaft

1. Pull the cam gear with the camshaft to its end.
2. Measure the clearance between the cam gear and camshaft stopper.
3. If the clearance exceeds the allowable limit, replace the camshaft stopper.



### Camshaft Alignment

1. Support the camshaft with V-blocks on the surface plate and set a dial indicator with its tip on the intermediate journal at right angle.
2. Rotate the camshaft on the V-blocks and get the misalignment (half of the measurement).
3. If the misalignment exceeds the allowable limit, replace the camshaft.

**Alignement de tige de culbuteur**

1. Vérifier l'état général, le degré d'usure ainsi que la présence de fissures aux deux extrémités de la tige de culbuteur.
2. Mesurer la courbure de la tige de culbuteur à l'aide d'un comparateur à cadran.
3. Si la mesure excède la limite de service, remplacer la tige de culbuteur.

**Stößelstangenkrümmung**

1. Beide Enden der Stößelstange auf Risse, Schäden und übermäßige Abnutzung untersuchen.
2. Die Krümmung der Stößelstange mit einer Meßuhr messen.
3. Überschreitet die Messung den zulässigen Grenzwert, die Stößelstange austauschen.

**[2] PIGNON DE DISTRIBUTION ET ARBRE A CAMES****Jeu d'engrènement de pignon de distribution**

1. Disposer un comparateur à cadran (modèle à levier) et sa lèvre sur la dent de pignon.
2. Faire tourner le pignon pour mesurer le battement tout en immobilisant le pignon correspondant.
3. Vérifier le jeu de gaissage des arbres et du pignon si le battement excède la tolérance.
4. Remplacer le pignon si le jeu de graissage est correct.

**Jeu latéral de l'arbre à cames**

1. Tirer la commande de cames solidaire de l'arbre à cames jusqu'à son extrémité.
2. Mesurer le jeu entre commande de cames et butée d'arbre à cames.
3. Remplacer la butée d'arbre à cames si le jeu excède la tolérance.

**Alignement de l'arbre à cames**

1. Supporter l'arbre à cames avec des blocs trapézoïdaux sur le plateau de dressage et mettre un comparateur à cadran de telle façon que son extrémité soit perpendiculaire au tourillon intermédiaire.
2. Tourner l'arbre à cames sur les blocs trapézoïdaux et obtenir le désalignement (moitié de la valeur mesurée).
3. Si le désalignement excède la limite de service, remplacer l'arbre à cames.

**[2] STEUERUNG UND NOCKENWELLE****Spiel der Steuerung**

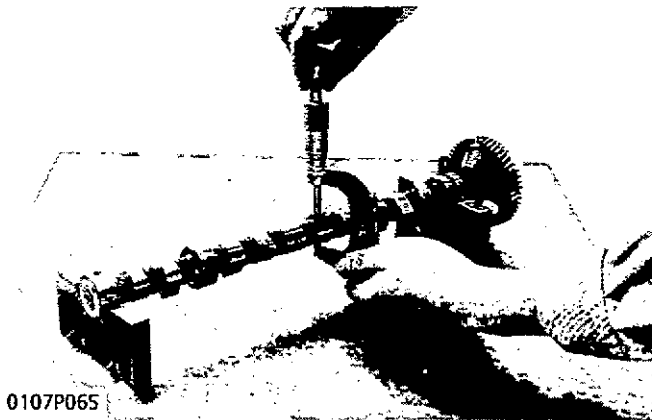
1. Eine Meßuhr (Hebeltyp) mit der Spitze an einem Zahn ansetzen.
2. Das Zahnrad bewegen, während die daran sitzenden Zahnräder festgehalten werden.
3. Falls der zulässige Grenzwert überstiegen wird, die Ölabstände der Wellen und Zahnräder messen.
4. Falls der Ölabstand korrekt ist, das Zahnrad austauschen.

**Endspiel der Nockenwelle**

1. Das Nockenwellenrad mit der Nockenwelle bis zum Anschlag herausziehen.
2. Den Abstand zwischen Nockenwellenrad und Nockenwellenanschlag messen.
3. Falls der Abstand den zulässigen Grenzwert übersteigt, den Nockenwellenanschlag austauschen.

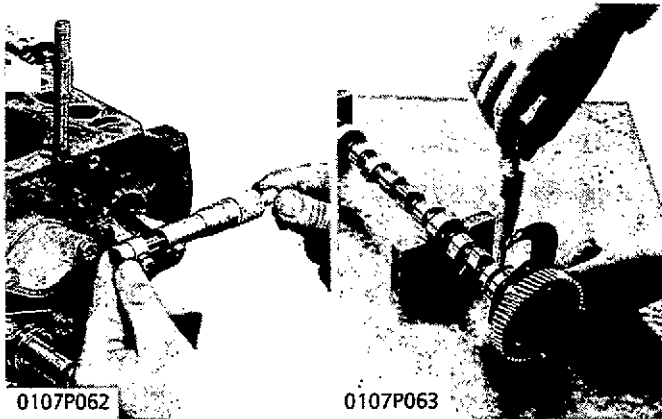
**Nockenwellenausrichtung**

1. Die Nockenwelle mit V-Blöcken auf der Richtplatte abstützen und eine Meßuhr mit der Spitze lotrecht auf den Zwischenzapfen ansetzen.
2. Die Nockenwelle auf den V-Blöcken drehen, um eine Versetzung (Hälfte des Messungswertes) zu erhalten.
3. Überschreitet die Versetzung den zulässigen Grenzwert die Nockenwelle auswechseln.



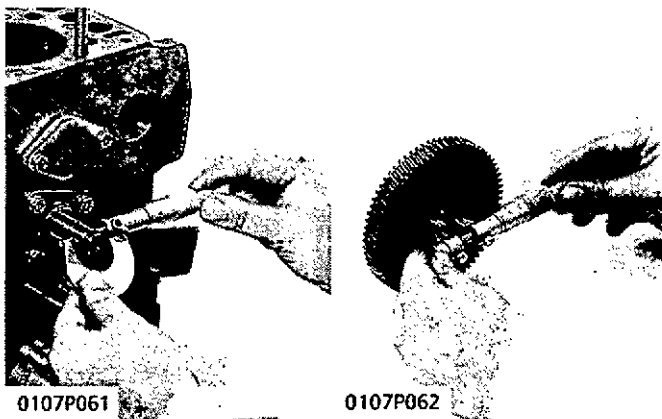
### Intake and Exhaust Cam Height

1. Measure the height of the cam at its highest point with an outside micrometer.
2. If the measurement is less than the allowable limit, replace it.



### Oil Clearance of Camshaft Journal

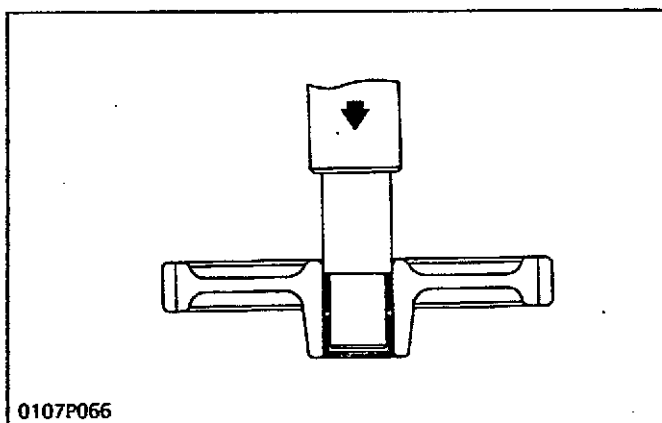
1. Measure the camshaft journal O.D. with an outside micrometer.
2. Measure the cylinder block bore I.D. for camshaft with an inside micrometer. Calculate the oil clearance.
3. If the clearance exceeds the allowable limit, replace the camshaft.



### Clearance between Idle Gear Shaft and Idle Gear

#### Bushings

1. Measure the idle gear shaft O.D. with an outside micrometer.
2. Measure the idle gear bushings I.D. with an inside micrometer, and calculate the clearance.
3. If the clearance exceeds the allowable limit, replace the bushing.



### Replacing Idle Gear Bushings

1. Press the used bushings out using a idle gear bushing replacing tool.
2. Press fit new bushings.

**Hauteurs de cames d'admission et d'échappement**

1. Mesurer la hauteur de la cames à son point le plus haut à l'aide d'un micromètre d'extérieur.
2. Si la mesure est inférieure à la limite de service, remplacer l'arbre à cames.

**Jeu de marche de l'arbre à cames**

1. Mesurer le diamètre extérieur du tourillon d'arbre à came à l'aide d'un micromètre d'extérieur.
2. Mesurer le diamètre intérieur du bloc-moteur pour l'arbre à came à l'aide d'un micromètre d'intérieur. Calculer le jeu de marche.
3. Si le jeu de marche dépasse la limite de service, remplacer l'arbre à cames.

**Jeu entre l'axe du pignon de renvoi et les bagues du pignon de renvoi**

1. Mesurer le diamètre extérieur de l'axe du pignon de renvoi à l'aide d'un micromètre extérieur.
2. Mesurer le diamètre inférieur des bagues des pignons de renvoi avec un micromètre intérieur et calculer le jeu.
3. Si le jeu dépasse la limite de service, remplacer les bagues.

**Remplacement des bagues de pignon de renvoi**

1. A la presse, chasser les bagues anciennes en utilisant l'outil de remplacement de coussinets de pignon de renvoi.
2. A la presse, monter les bagues neuves.

**Nockenhöhe am Ein-und Auslaß**

1. Mit einem Außenmikrometer die Höhe des Nockens an seinem höchsten Punkt messen.
2. Liegt der Meßwert unter dem zulässigen Grenzwert, die Nockenwelle austauschen.

**Ölspiel der Nockenwelle**

1. Mit einem Außenmikrometer den Außendurchmesser des Nockenwellenzapfens messen.
2. Mit einem Innenmikrometer den Innendurchmesser der Zylinderblockbohrungen für die Nockenwelle messen. Ölspiel berechnen.
3. Überschreitet der Ölspiel den zulässigen Grenzwert, die Nockenwelle austauschen.

**Spiel zwischen Leerlaufachse und Leerlaufbuchse**

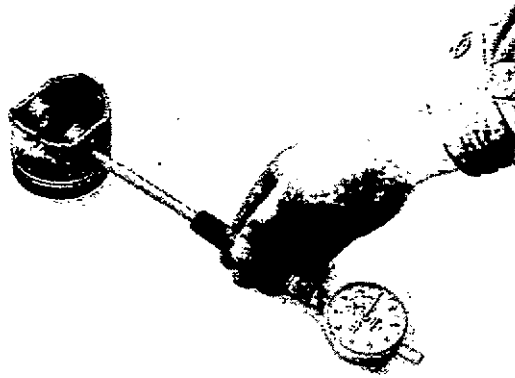
1. Den Außendurchmesser der Leerlaufachse mit Hilfe eines Außenmikrometers messen.
2. Den Innendurchmesser der Leerlaufbuchsen mit Hilfe eines Innenmikrometers messen und das Spiel berechnen.
3. Wenn das Spiel den zulässigen Grenzwert überschreitet, die Buchse austauschen.

**Austausch der Leerlaufbuchsen**

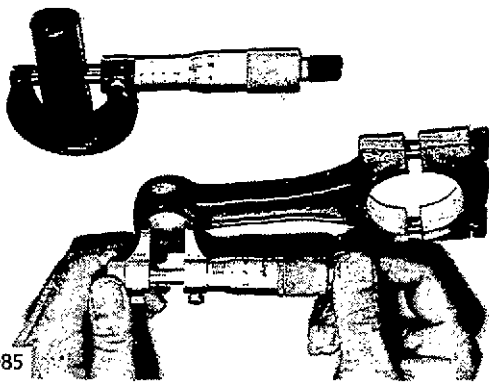
1. Die alten Buchsen mit Hilfe eines für den Austausch der Leerlaufbuchsen vorgesehenen Werkzeuges herausdrücken.
2. Die neuen Buchsen einsetzen.



### [3] PISTON AND CONNECTING ROD



0107P066



0011P085

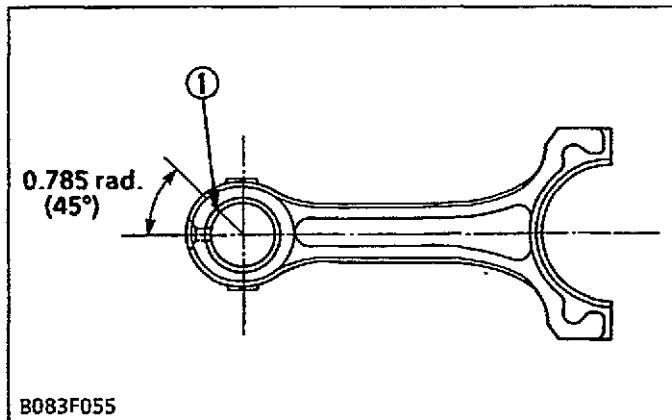
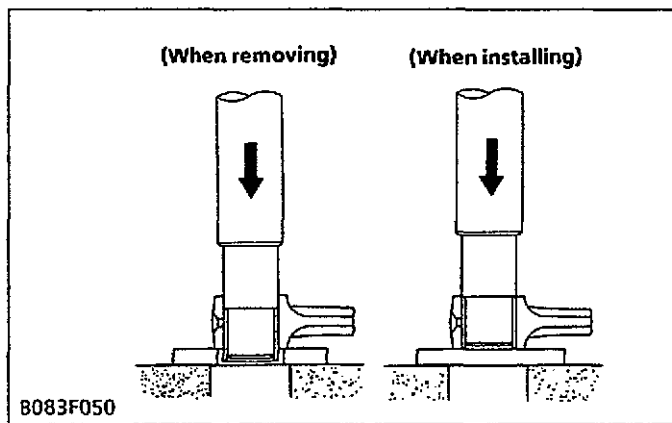
#### Piston Pin-Bore I.D.

1. Measure the I.D. of the piston pin-bore in both the horizontal and vertical directions with a cylinder gauge.
2. If the measurement exceeds the allowable limit, replace the piston.

#### Oil Clearance between Piston Pin and Small End

##### Bushing

1. Measure the O.D. of the piston pin where it contacts the bushing with an outside micrometer.
2. Measure the I.D. of the piston pin bushing at the connecting rod small end with a cylinder gauge. Calculate the oil clearance.
3. If the clearance exceeds the allowable limit, replace the bushing. If it still exceeds the allowable limit, replace the piston pin.



#### Replacing Connecting Rod Small End Bushing

##### (When removing)

1. Press out the small end bushing with a connecting rod small end bushing replacing tool.

##### (When installing)

1. Clean a new small end bushing and bore, and apply engine oil to them.
2. Insert a new bushing onto the tool and press-fit it with a press so that the seam (1) of bushing positions as shown in the figure, until it is flash with the connecting rod.
3. Drill a hole to the bushing with aligning the oil hole (2) of connecting rod using 4.0 mm dia. (0.157 in. dia.) drill.

#### ■ NOTE

- Be sure to chamfer the oil hole circumference with an oil stone.

#### [Service parts dimension]

Oil clearance between piston pin and small end bushing	Factory spec	0.015 to 0.075 mm 0.00059 to 0.00295 in
	Allowable limit	0.15 mm 0.0059 in.

(1) Seam

### [3] PISTON ET BIELLE

#### D.I. de logement d'axe de piston

1. Mesurer le diamètre intérieur de logement d'axe de piston dans les sens vertical et horizontal à l'aide d'un comparateur.
2. Si la mesure excède la limite de service, remplace le piston.

#### Jeu de marche entre l'axe de piston et la bague

1. Mesurer le diamètre extérieur de l'axe de piston au niveau où celui-ci vient en contact avec la bague de pied de bielle au moyen d'un micromètre d'extérieur.
2. Mesurer le diamètre intérieur de la bague de pied de bielle à l'aide d'un comparateur. Calculer le jeu de marche.
3. Si le jeu excède la limite de service, remplacer la bague. Si le jeu est encore supérieur à la limite de service, remplacer l'axe de piston.

#### Remplacement de la bague de pied de bielle

##### (Au retrait)

1. Pousser dehors la bague de pied de bielle à l'aide d'un outil de remplacement de bague de pied de bielle.

##### (Lors de la repose)

1. Nettoyer une bague neuve de pied de bielle et l'alésage, et les enduire d'huile moteur.
2. Mettre en place la bague neuve sur l'outil et la poser à l'aide d'une presse de telle façon que le jointure de la bague se trouve à la position montrée sur la figure et jusqu'à ce qu'elle soit au même niveau que la bielle.
3. En utilisant une mèche d'un diamètre de 4,0 mm, percer un trou dans le manchon tout en alignant l'orifice de lubrification (2) de la bielle.

##### ■ NOTA

- Toujours chanfreiner la circonférence de l'orifice de lubrification avec une pierre à huile.

#### [Dimensions des pièces d'entretien]

Jeu entre l'axe de piston et le coussinet de pied de bielle	Valeur de référence	0,015 à 0,075 mm
	Limite de service	0,15 mm

(1) Jointure

### [3] KOLBEN UND PLEUELSTANGE

#### Innendurchmesser der Kolbenbolzenbohrung

1. Mit einem Lehrdorn den Innen der Kolbenbolzenbohrung in horizontaler wie auch vertikaler Richtung messen.
2. Überschreitet die Messung den zulässigen Grenzwert, den Kolben austauschen.

#### Ölspiel zwischen Kolbenbolzen und Buchse

1. Mit einem Außenmikrometer den Außendurchmesser des Kolbenbolzens an der Stelle messen, wo er die Buchse berührt.
2. Mit einem Lehrdorn den Innendurchmesser der Kolbenbolzenbuchse am Pleuelstangenkopf messen. Den Ölspiel berechnen.
3. Überschreitet der Spiel den zulässigen Grenzwert, die Buchse auswechseln. Wird der zulässige Grenzwert noch immer überschritten, den Kolbenbolzen auswechseln.

#### Austausch der Pleuelbuchse

##### (Beim Ausbau)

1. Die Pleuelbuchse mit einem Pleuelbuchsen-Ausbauwerkzeug heraustreiben.

##### (Beim Einbau)

1. Die neue Pleuelbuchse und -Bohrung reinigen und mit Motoröl beschichten.
2. Eine neue Buchse in das Werkzeug einsetzen und mit einer Presse derart eintreiben, daß die Naht in der Buchsenposition mit der Pleuelstange bündig ist wie in der Abbildung gezeigt.
3. Während die Ölbohrung (2) der Pleuelstange ausgerichtet wird, mit einem 4-mm-Bohrer ein Loch bohren.

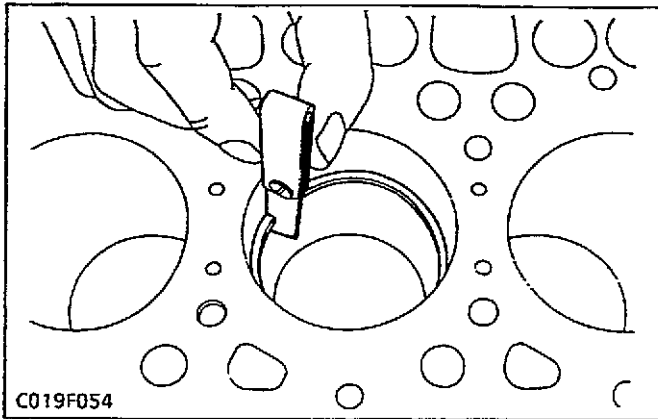
##### ■ ANMERKUNG

- Die Bohrung muß an ihrem Rand mit einem Ölstein abgeschragt werden.

#### [Ersatzteilgröße]

Spiel zwischen Kolbenbolzen und Pleuelbuchse	Werkdaten	0,015 bis 0,075 mm
	Zulässiger Grenzwert	0,15 mm

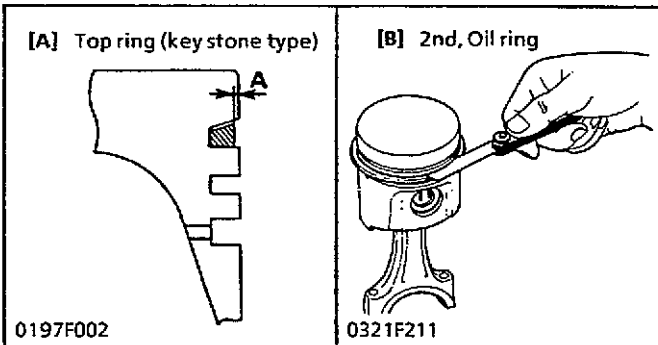
(1) Naht



C019F054

**Piston Ring Gap**

1. Insert the piston ring into the lower part of the liner (the least worn out part) with the piston.
2. Measure the ring gap with a feeler gauge.
3. If the gap exceeds the allowable limit, replace the ring.



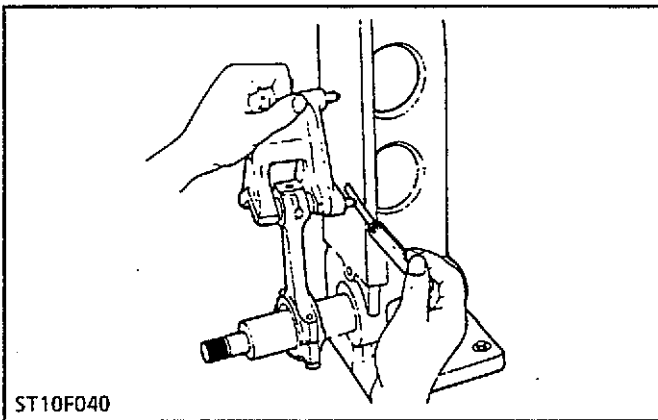
0197F002

0321F211

**Clearance between Piston Ring and Groove**

1. Remove carbon from the ring grooves.
2. Measure the clearance between the ring and the groove with a feeler gauge or depth gauge.
3. If the clearance exceeds allowable limit, replace the ring since compression leak and oil shortage result.
4. If the clearance still exceeds the allowable limit after replacing the ring, replace the piston.

Factory specification : A	More than 0.2 mm
---------------------------	------------------



ST10F040

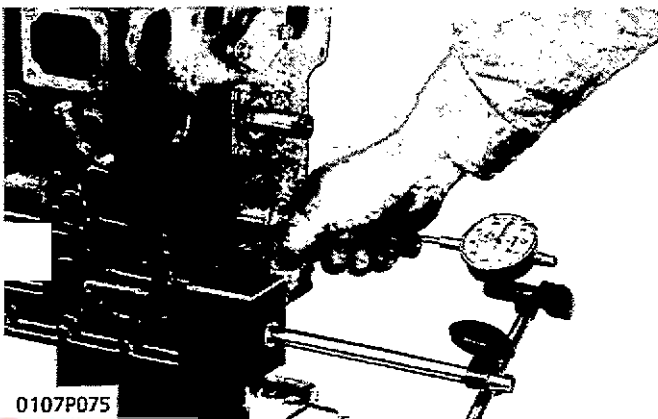
**Connecting Rod Alignment**

■ NOTE

- Since the I.D. of the connecting rod small end bushing is the basis of this check, check the bushing for wear beforehand.

1. Install the piston pin into the connecting rod.
2. Install the connecting rod on the connecting rod alignment tool (Code No: 07909-31661).
3. Put a gauge over the piston pin and move it against the face plate.
4. If the gauge does not fit squarely against the face plate, measure the space between the pin of the gauge and the face plate.
5. If the measurement exceeds the allowable limit, replace the connecting rod.

**[4] CRANKSHAFT**



0107P075

**End Play of Crankshaft**

1. Move the crankshaft to the flywheel side.
2. Set a dial indicator to the crankshaft.
3. Measure the end play by pulling the crankshaft toward the crank gear.
4. If the measurement exceeds the allowable limit, replace the thrust bearings.

**Jeu de coupe segment de piston**

1. Introduire le segment de piston dans la partie inférieure de la chemise (partie le moins usée) avec le piston.
2. Mesurer le jeu du segment avec une jauge d'épaisseur.
3. Si le jeu dépasse la limite de service, remplacer le segment.

**Jeu entre le segment et la rainure de segment**

1. Eliminer la calamine des gorges de segment.
2. Mesurer le jeu entre le segment et la gorge à l'aide d'une jauge d'épaisseur ou d'un calibre de profondeur.
3. Si le jeu excède la limite de service, remplacer le segment pour éviter la fuite de compression et le manque d'huile en résultant.
4. Si le jeu reste toujours supérieur à la limite de service même après remplacement du segment, remplacer le piston.

Valeur de référence A:	Plus de 0,2 mm
------------------------	----------------

**Alignement de bielle****■ NOTA**

- Etant donné le diamètre intérieur de la bague de pied de bielle est la base de cette vérification, vérifier d'avance si la bague est usée.
1. Mettre l'axe de piston en place dans la bielle.
  2. Poser la bielle à l'aide de l'outil d'alignement de bielle (Référence: 07909-31661)
  3. Disposer un calibre sur l'axe de piston et le déplacer sur la paroi.
  4. Si le calibre ne peut être disposé à angle droit sur la paroi, mesurer l'espace entre l'axe du calibre et la paroi.
  5. Si la mesure excède la limite de service, remplacer la bielle.

**[4] VILEBREQUIN****Jeu latéral de vilebrequin**

1. Pousser le vilebrequin vers le volant.
2. Fixer un comparateur à cadran sur le vilebrequin.
3. Mesurer le jeu latéral de vilebrequin en poussant le vilebrequin vers son pignon.
4. Si la mesure excède la limite de service, remplacer la demi-coussinet de butée 1 et 2.

**Kolbenringspalt**

1. Mit dem Kolben den Kolbenring in den unteren (am wenigsten abgenutzten) Teil der Laufbüchse eintreiben.
2. Den Ringspat mit Hilfe einer Fühlerlehremessen.
3. Überschreitet der spat den zulässigen Grenzwert, den Kolbenring austauschen.

**Spiel zwischen Kolbenring und Ringnut**

1. Ölkohlenablagerungen aus den Ringnuten.
2. Das Spiel zwischen Ring und Nut mit einer Fühlerlehre bzw. einem Tiefenmaß messen.
3. Überschreitet das Spiel den zulässigen Grenzwert den Ring auswechseln, da sonst eine Kompressionsleckage und ein Ölverlust erfolgen könnte.
4. Überschreitet nach der Auswechslung der Ringes das Spiel noch immer den zulässigen Grenzwert den Kolben auswechseln.

Werksvorschrift : A	Mehr als 0,2 mm
---------------------	-----------------

[A] Oberer ring (Trapezring Typ)

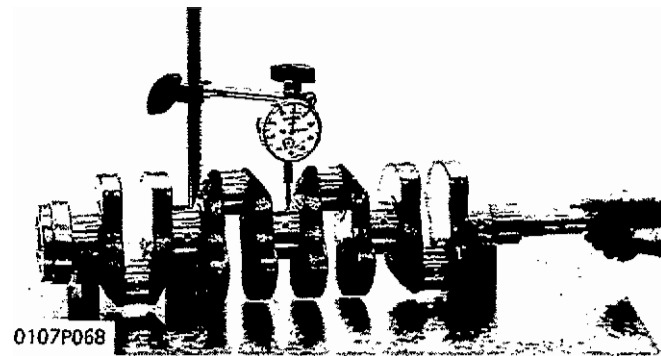
[B] Zweiter Ring, Ölabbstreifring

**Pleuelstangenausrichtung****■ ANMERKUNG**

- Da diese Kontrolle auf den Innendurchmesser der Pleuelstangenkopfbuchse basiert, die Buchse vorher auf Verschleiß überprüfen.
1. Kolbenbolzen in die Pleuelstange einsetzen.
  2. Die Pleuelstange an der Pleuelstangen-Krümmungsmeßlehre (CodeNr.:07909-31661) anbringen.
  3. Die Lehre über den Kolbenbolzen schieben und diesen gegen die Lehrenplatte bewegen.
  4. Falls die Lehre nicht flach auf der Lehrenplatte aufliegt, den Abstand zwischen Stift der Lehre und der Lehrenplatte messen.
  5. Überschreitet die Messung den zulässigen Grenzwert, die pleuelstange austauschen.

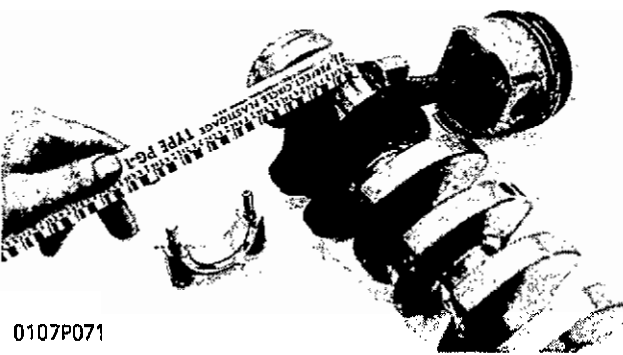
**[4] KURBELWELLE****Axialspiel der Kurbelwelle**

1. Die Kurbelwelle in Richtung Schwungrad ziehen.
2. Ein Meßuhr an der Kurbelwelle anbringen.
3. Das Axialspiel durch Schieben der Kurbelwelle in Richtung des Kurbelwellenrades messen.
4. Überschreitet die Messung den zulässigen Grenzwert, die Drucklager 1 und 2 austauschen.



**Crankshaft Alignment**

1. Support the crankshaft with V-blocks on the surface plate and set a dial indicator with its tip on the intermediate journal at right angle.
2. Rotate the crankshaft on the V-blocks and get the misalignment (half of the measurement).
3. If the misalignment exceeds the allowable limit, replace the crankshaft.



**Oil Clearance between Crank Pin and Crank Pin Bearing**

**Bearing**

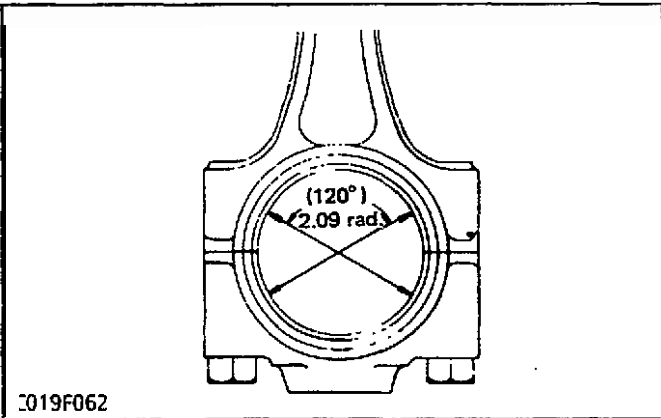
1. Clean the crank pin and crank pin bearing.
2. Put a strip of press gauge (Code No: 07909-30241) on the center of the crank pin in each direction as shown in the figure.

**IMPORTANT**

- Never insert the press gauge into the crank pin oil hole.
3. Install the connecting rod cap and tighten the screws to the specified torque, and remove the cap again.

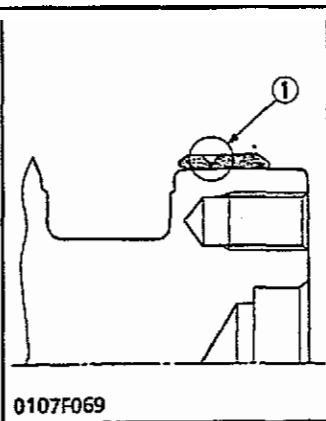
**NOTE**

- Fasten the crankshaft so that it does not turn.
4. Measure the amount of the flattening with the scale and get the oil clearance.
  5. If the clearance exceeds the allowable limit, replace the bearing.

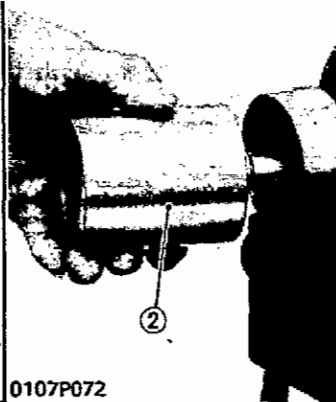


**(Reference)**

- When the oil clearance is to be measured by removing the crankshaft, tighten the connecting rod cap with the specified torque, then measure the crank pin bearing I.D. with a cylinder gauge or an inside micrometer. And measure the crank pin O.D. with an outside micrometer. Calculate the oil clearance.



(1) Wear



(2) Sleeve Guide C

**Crankshaft Sleeve Wear and Replacing Crankshaft Sleeve**

**Sleeve**

1. Measure the wear of the crankshaft sleeve using a surface roughness tester.
2. If the measurement exceeds the allowable limit, replace the crankshaft sleeve.
3. Remove the used crankshaft sleeve using a special-use puller set (Code No:07916-09032).

**(When installing)**

4. Set the sleeve guide C (2) to the crankshaft.

**Alignement du vilebrequin**

1. Supporter le vilebrequin avec des blocs trapézoïdaux sur le plateau de dressage et mettre un comparateur à cadran de telle façon que son extrémité soit perpendiculaire au tourillon intermédiaire.
2. Tourner le vilebrequin sur les blocs trapézoïdaux et obtenir le désalignement (moitié de la valeur mesurée).
3. Si le désalignement excède la limite de service, remplacer le vilebrequin.

**Jeu de marche entre le maneton et le coussinet de tête de bielle**

1. Nettoyer le maneton et le coussinet de tête de bielle.
2. Disposer une jauge plastique (Référence: 07909-30241) au centre du maneton dans chaque direction montrée sur la figure.

**■ IMPORTANT**

- Ne pas introduire la jauge plastique dans le trou de lubrification du maneton.
3. Poser le chapeau de bielle et serrer les vis au couple spécifié puis retirer le chapeau de bielle.

**■ NOTA**

- Immobiliser le vilebrequin pour l'empêcher de tourner.
4. Mesurer l'aplatissement à l'aide d'une échelle et en déduire le jeu de marche.
  5. Si le jeu excède la limite de service, remplacer le coussinet de tête de bielle.

**(Référence)**

- Lorsque le jeu de marche doit être mesuré en déposant le vilebrequin, serrer le chapeau de tête de bielle à un couple spécifié, ensuite mesurer le diamètre intérieur du coussinet de tête de bielle à l'aide d'un comparateur ou d'un micromètre d'intérieur. Et, mesurer le diamètre extérieur du maneton à l'aide d'un micromètre d'extérieur. Calculer le jeu de marche.

**Usure de la coupelle de vilebrequin et remplacement de la coupelle de vilebrequin**

1. Mesurer l'usure de la coupelle de vilebrequin avec un appareil de contrôle de rugosité de surface.
2. Si la mesure dépasse la limite de service, remplacer la coupelle de vilebrequin.
3. Enlever la coupelle de vilebrequin usé à l'aide du jeu d'extraction spécial (Référence 07916-09032).

**(Lors de la repose)**

4. Placer le guide C de coupelle (2) sur le vilebrequin.

(1) Usure

(2) Guide C de coupelle

**Kurbelwellenausrichtung**

1. Die Kurbelwelle mit V-Blöcken auf der Richtplatte abstützen und eine Meßuhr mit der Spitze lotrecht auf den Zwischenzapfen ansetzen.
2. Die Kurbelwelle auf den V-Blöcken drehen, um eine (Hälfte des Messungswertes) zu erhalten.
3. Überschreitet die Versetzung den zulässigen Grenzwert, die Kurbelwelle auswechseln.

**Ölspiel zwischen Kurbelzapfen und Pleuellager-schale**

1. Den Kurbelzapfen und das Pleuellagerschale reinigen.
2. Einen Streifen der Preßmeßgerät (CodeNr. 07909-30241) auf die Mitte des Kurbelzapfens in alle Richtungen legen.

**■ WICHTIG**

- Das Preßmeßgerät nicht in die Ölöffnung des Kurbelzapfens einsetzen.
3. Die Pleuelstangendeckel anbringen und die Schrauben mit dem vorgeschriebenen Drehmoment anziehen und dann den Pleuelstangendeckel wieder abschrauben.

**■ ANMERKUNG**

- Die Kurbelwelle so befestigen, daß sie nicht drehen kann.
4. Die Stärke der Preßmeßgerät messen und den Ölspiel errechnen.
  5. Überschreitet der Ölspiel den zulässigen Grenzwert, die Pleuellagerschale austauschen.

**(Referenz)**

- Ist der Ölspiel durch den Ausbau der Kurbelwelle zu messen, den Pleuelstangendeckel auf das vorgeschriebenen Drehmoment anziehen und dann mit einem Lehrdorn oder einem Innenmikrometer den Innendurchmesser der Pleuellagerschale messen. Mit einem Außenmikrometer den Außendurchmesser der Kurbelzapfen messen. Den Ölspiel berechnen.

**Abnutzung der Kurbelwellenbuchse und Austausch der Kurbelwellenbuchse**

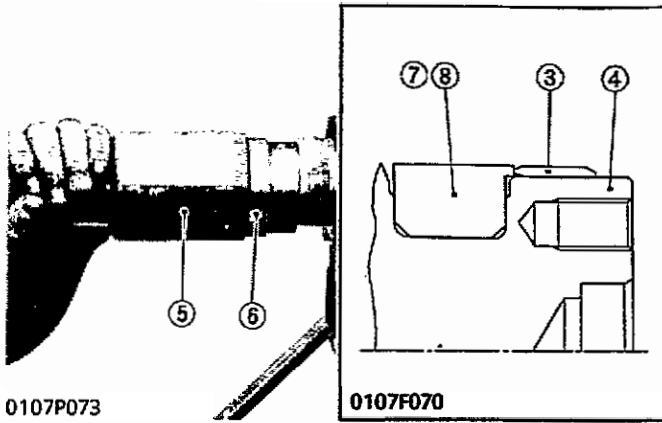
1. Die Abnutzung der Kurbelwellenbuchse mit Hilfe eines Gerätes zur Prüfung der Oberflächenrauheit messen.
2. Wenn die Messung den zulässigen Grenzwert überschreitet, die Kurbelwellenbuchse austauschen.
3. Die alte Kurbelwellenbuchse mit Hilfe einer speziellen Abziehvorrichtung (Code Nr. 07916-09032) entfernen.

**(Beim Einbau)**

4. Die Buchsenführung C (2) an die Kurbelwelle ansetzen.

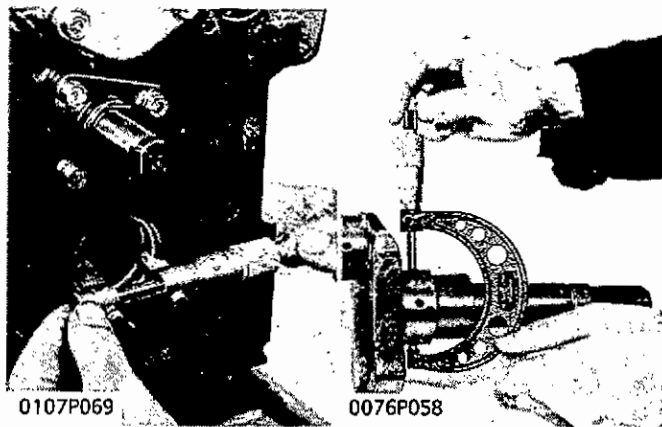
(1) Abnutzung

(2) Buchsenführung C



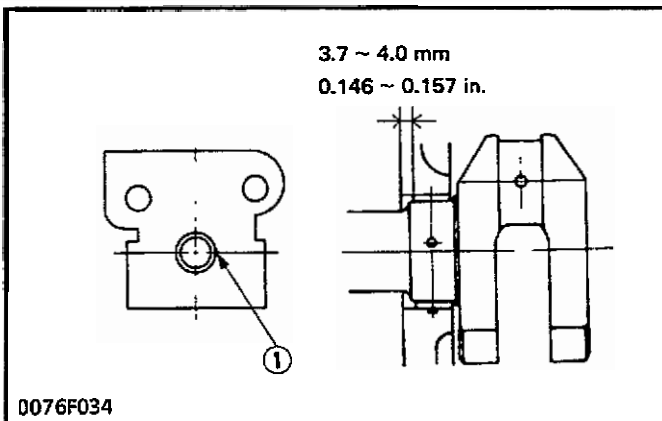
5. Set the stopper C (7) to the crankshaft as shown in figure.
6. Heat a new sleeve to a temperature between 150 and 200°C (302 and 392°F), and fix the sleeve to the crankshaft as shown in figure.
7. Press fit the sleeve using the auxiliary socket for pushing (5).

- |                                  |                    |
|----------------------------------|--------------------|
| (3) Crankshaft Sleeve            | (6) Sleeve Guide B |
| (4) Crankshaft                   | (7) Stopper B      |
| (5) Auxiliary Socket for Pushing | (8) Stopper C      |



### Oil Clearance between Crankshaft Journal and Crankshaft Bearing 1

1. Measure the O.D. of the crankshaft journal with an outside micrometer.
2. Measure the I.D. of the crankshaft bearing 1 with an inside micrometer. Calculate the oil clearance.
3. If the clearance exceeds the allowable limit, replace the crankshaft bearing 1.



### Replacing Crankshaft Bearing 1

#### **(When removing)**

1. Press out the bearing 1 with crankshaft bearing 1 replacing tool.

#### **(When installing)**

1. Clean a new bearing 1 and bore, and apply engine oil to them.
2. Press fit a new bearing 1 using an inserting tool, taking due care to see that the seam of bearing 1 faces the exhaust manifold side.

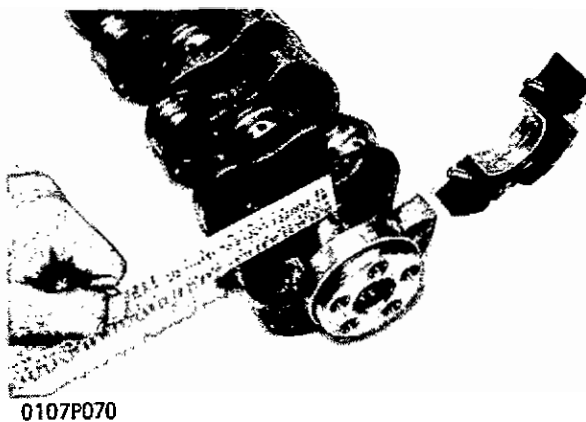
- (1) Seam

### Oil Clearance between Crankshaft Journal and Crankshaft Bearing 2 (3, 4, 5)

1. Clean the crankshaft journal and crankshaft bearing.
2. Put a strip of press gauge (Code No: 07909-30241) on the center of the journal.

#### ■ IMPORTANT

- Never insert the press gauge into the oil hole of the journal.
3. Install the main bearing case and tighten the screws to the specified torque, and remove the cases again.
  4. Measure the amount of the flattening with the scale and get the oil clearance.
  5. If the clearance exceeds the allowable limit, replace the crankshaft bearing.



5. Mettre la butée C (7) sur le vilebrequin, comme indiqué dans la figure.
6. Chauffer une coupelle neuve à une température comprise entre 150 et 200°C puis fixer la coupelle sur le vilebrequin, comme indiqué dans la figure.
7. Ajuster à la presse la coupelle en utilisant la prise lumière pour le repousser (5).

- |                             |                         |
|-----------------------------|-------------------------|
| (3) Coupelle de vilebrequin | (6) Guide B de coupelle |
| (4) Vilebrequin             | (7) Butée B             |
| (5) Prise de lumière        | (8) Butée C             |

5. Den Begrenzer C (7) an die Kurbelwelle ansetzen, wie in der Abbildung gezeigt.
6. Eine neue Buchse bei einer Temperatur zwischen 150 und 200°C erhitzen und, wie in der Abbildung gezeigt, an der Kurbelwelle einsetzen.
7. Die Buchse mit Hilfe der Hilfsmuffe (5) einpressen.

- |                                |                      |
|--------------------------------|----------------------|
| (3) Kurbelwellenbuchse         | (6) Buchsenführung B |
| (4) Kurbelwelle                | (7) Begrenzer B      |
| (5) Hilfsmuffe für den Einsatz | (8) Begrenzer C      |

### Jeu de marche entre le tourillon de vilebrequin et coussinet 1 de vilebrequin

1. Mesurer le diamètre extérieur du tourillon de vilebrequin avec un micromètre extérieur.
2. Mesurer le diamètre intérieur du coussinet 1 du vilebrequin avec un micromètre intérieur. Calculer le jeu de marche.
3. Si ce jeu de marche dépasse la limite de service, remplacer le coussinet 1 de vilebrequin.

### Remplacement du coussinet 1 du vilebrequin

#### **(Au retrait)**

1. Chasser le coussinet 1 de vilebrequin au moyen de l'outil de remplacement de coussinet 1 de vilebrequin.

#### **(Lors de la repose)**

1. Nettoyer un coussinet 1 neuf et alésage et les enduire d'huile moteur.
2. Monter à la presse un coussinet 1 neuf en utilisant un outil de mise en place, en veillant à ce que la jointure du coussinet 1 soit en regard du côté du collecteur d'échappement.

(1) Jointure

### Jeu de marche entre le tourillon de vilebrequin et coussinet 2 (3, 4, 5) de vilebrequin

1. Nettoyer le tourillon de vilebrequin et coussinet de vilebrequin.
2. Disposer une jauge plastique (Référence: 07909-30241) au centre de tourillon de vilebrequin.

#### **■ IMPORTANT**

- Ne pas introduire la jauge plastique dans le trou de lubrification de tourillon.
3. Poser le palier principal et serrer les vis au couple spécifié puis retirer le palier principal.
  4. Mesurer l'aplatissement à l'aide d'une échelle et en déduire le jeu de marche.
  5. Si le jeu excède la limite de service, remplace le coussinet.

### Ölspiel Zwischen Kurbelwelle und Kurbelwellenlager 1

1. Den Außendurchmesser der Kurbelwelle mit einem Außenmikrometer messen.
2. Den Innendurchmesser des Kurbelwellenlagers 1 mit einem Innenmikrometer messen und das Ölspiel berechnen.
3. Überschreitet der Ölspiel den zulässigen Grenzwert, die Kurbelwellenlager 1 austauschen.

### Austausch des Kurbelwellenlager 1

#### **(Beim Ausbau)**

1. Das Lager 1 mit den Werkzeug für den Austausch des Kurbelwellenlager herausdrücken.

#### **(Beim Einbau)**

1. Das neue Lager 1 und die Bohrung reinigen und Öl auf sie auftragen.
2. Ein neues Lager 1 mit Hilfe eines Einsatzwerkzeuges einpassen. Hierbei darauf achten, daß die Naht des Lagers 1 der Auspuffkrümmerseite gegenüberliegt.

(1) Naht

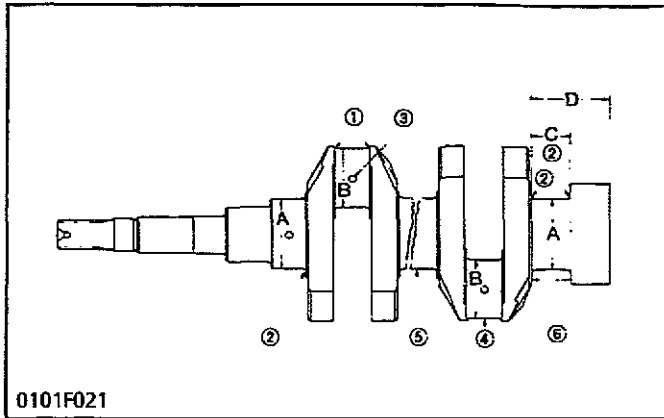
### Ölspiel zwischen Kurbelwelle und Kurbelwellenlager 2 (3, 4, 5)

1. Den Kurbelwelle und das Kurbelwellenlager reinigen.
2. Einen Streifen der Preßmeßgerät (CodeNr. 07909-30241) auf die Mitte des Kurbelwelle legen.

#### **■ WICHTIG**

- Das Preßmeßgerät nicht in die Ölöffnung des Kurbelwelle einsetzen.
3. Die Hauptlagerschale anbringen und die Schrauben mit dem vorgeschriebenen Drehmoment anziehen und dann den Hauptlagerschale abschrauben.
  4. Die Stärke der Preßmeßgerätmessen und den Ölspiel errechnen.
  5. Überschreitet der Ölspiel den zulässigen Grenzwert, die Kurbelwellenlager austauschen.





0101F021

		Dimension D
Overize	+0.2 mm +0.008 in.	48.1 to 48.3 mm 1.894 to 1.902 in.
Overize	+0.4 mm +0.016 in.	48.3 to 48.5 mm 1.902 to 1.909 in.

**Undersized and Oversized Bearing**

If the standard-size bearing cannot be employed due to excessive wear of the crankpin and crank journal, employ undersize or oversize bearings.

For under size or oversize bearing use, follow the precautions noted below.

● Grind the crankpin and journal with a wheel which has specified round corner and width without shoulder.

1. 3.3 to 3.7 mm (0.1300 to 0.1457 in.)
2. 2.8 to 3.2 mm (0.1102 to 0.1260 in.)
3. Be sure to chamfer the oil hole circumference to 1 to 1.5 mm (0.04 to 0.06 in.) radius with an oil stone.
4. The crankpin must be fine-finished to higher than  $\nabla\nabla\nabla\nabla$  (0.4-5).
5. The crank journal must be fine-finished to higher than  $\nabla\nabla\nabla\nabla$  (0.4-5).
6. The crank journal side surface must be fine-finished to higher than  $\nabla\nabla\nabla\nabla$  (0.4-5).

Size	Code No.	Name of bearing	Bearing mark	Crankshaft processing dimension	
-0.2 mm -0.008 in.	15261-2391-1	Crankshaft bearing 1 (0.2 minus)	020 US	A	43.734 to 43.750 mm 1.7218 to 1.7224 in.
-0.2 mm -0.008 in.	15261-2393-1	Crankshaft bearing 2 (0.2 minus)	020 US		
-0.4 mm -0.016 in.	15261-2392-1	Crankshaft bearing 1 (0.4 minus)	040 US	A	43.534 to 43.550 mm 1.7140 to 1.7145 in.
-0.4 mm -0.016 in.	15261-2394-1	Crankshaft bearing 2 (0.4 minus)	040 US		
-0.2 mm -0.008 in.	15531-2297-1	Crank pin bearing (0.2 minus)	020 US	B	36.759 to 36.775 mm 1.4473 to 1.4478 in.
-0.4 mm -0.016 in.	15531-2298-1	Crank pin bearing (0.4 minus)	040 US		
+0.2 mm +0.008 in.	15261-2395-1	Thrust bearing 1 (0.2 plus)	020 OS	C	24.40 to 24.45 mm 0.9763 to 0.9783 in.
	15261-2397-1	Thrust bearing 2 (0.2 plus)			
+0.4 mm +0.016 in.	15261-2396-1	Thrust bearing 1 (0.4 plus)	040 OS	C	24.80 to 24.85 mm 0.9763 to 0.9783 in.
	15261-2398-1	Thrust bearing 2 (0.4 plus)			

**Coussinet sous-dimensionnés et sur-dimensionnés**

Si le coussinet de cote normale ne peut être utilisé à cause d'une usure excessive du maneton et du tourillon de vilebrequin, employer des coussinets de cote minorée ou de cote majorée.

Pour utilisation des coussinets de cote minorée ou de cote majorée, prendre les précautions suivantes.

- Rectifier le maneton et le tourillon de vilebrequin à l'aide d'une meule sans épaulement ayant un coin arrondi et une largeur spécifiés.

1. 3,3 à 3,7 mm
2. 2,8 à 3,2 mm
3. Ne pas manquer de chanfreiner à l'aide d'une pierre à huile la circonférence du trou de graissage à un rayon de 1 à 1,5 mm.
4. Terminer la surface du tourillon à plus de  $\nabla\nabla\nabla\nabla$  (0,4-5).
5. Terminer la surface du tourillon à plus de  $\nabla\nabla\nabla\nabla$  (0,4-5).
6. Terminer la surface du tourillon à plus de  $\nabla\nabla\nabla\nabla$  (0,4-5).

	Dimension D
Sur-calibration 0,2 mm	48,1 à 48,3 mm
Sur-calibration 0,4 mm	48,3 à 48,5 mm

**Lager in Übergröße und unter Normalgröße**

Wenn wegen starker Abnutzung des Kurbelwellenzapfens ein Normlager nicht mehr verwendet werden kann, ist dieses gegen ein Untermaßlager auszutauschen.

Beim Einsatz eines Untermaßlagers sind nachstehende Vorsichtsmaßnahmen zu beachten:

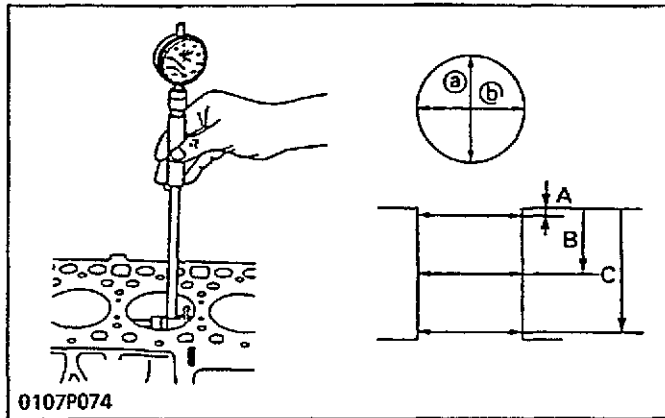
- Den Zapfen und das Ende der Kurbelwelle mit einem Schleifrad schleifen, das die vorgeschriebene Rundung und Breite hat und keine Abstufungen.

1. 3,3 bis 3,7 mm
2. 2,8 bis 3,2 mm
3. Das Ölloch mit einem Ölweitzstein auf einen Radius von 1 bis 1,5 mm abschrägen.
4. Der Kurbelwellenzapfen muß feinstbearbeitet sein und zwar besser als Güteklasse  $\nabla\nabla\nabla\nabla$  (0,4-5).
5. Das Kurbelwellenende muß feinstbearbeitet werden und zwar Güteklasse  $\nabla\nabla\nabla\nabla$  (0,4-5).
6. Die Seitenfläche vom Kurbelwellenende muß feinstbearbeitet sein, besser als Güteklasse  $\nabla\nabla\nabla\nabla$  (0,4-5).

	Abmessungen D
Übermaß 0,2 mm	48,1 bis 48,3 mm
Übermaß 0,4 mm	48,3 bis 48,5 mm

Dimension Größe	Référence Code Nr.	Nom du coussinet Lagername	Marque du coussinet Lager- markierung	Dimension du vilebrequin Bearbeitungsabmessung des Kurbelwelles
-0,2 mm	15261-2391-1	Coussinet 1 de vilebrequin (0,2 moins) Kurbelwellenlager 1 (0,2 minus)	020 US	A 43,734 à 43,750 mm 43,734 bis 43,750 mm  43,534 à 43,550 mm 43,534 bis 43,550 mm
-0,2 mm	15261-2393-1	Coussinet 1 de vilebrequin (0,2 moins) Kurbelwellenlager 2 (0,2 minus)	020 US	
-0,4 mm	15261-2392-1	Coussinet 1 de vilebrequin (0,4 moins) Kurbelwellenlager 1 (0,4 minus)	040 US	
-0,4 mm	15261-2394-1	Coussinet 1 de vilebrequin (0,4 moins) Kurbelwellenlager 2 (0,4 minus)	040 US	
-0,2 mm	15531-2297-1	Coussinet de maneton (0,2 moins) Pleuellagerschale (0,2 minus)	020 US	B 36,759 à 36,775 mm 36,759 bis 36,775 mm  36,559 à 36,575 mm 36,559 bis 36,575 mm
-0,4 mm	15531-2298-1	Coussinet de maneton (0,4 moins) Pleuellagerschale (0,4 minus)	040 US	
+0,2 mm	15261-2395-1	Coussinet 1 de butée (0,2 plus) Drucklager 1 (0,2 plus)	0,20 OS	C 24,40 à 24,45 mm 24,40 bis 24,45 mm
	15261-2397-1	Coussinet 2 de butée (0,2 plus) Drucklager 2 (0,2 plus)		
+0,4 mm	15261-2396-1	Coussinet 1 de butée (0,4 plus) Drucklager 1 (0,4 plus)	0,40 OS	24,80 à 24,85 mm 24,80 bis 24,85 mm
	15261-2398-1	Coussinet 2 de butée (0,4 plus) Drucklager 2 (0,4 plus)		

[5] CYLINDER



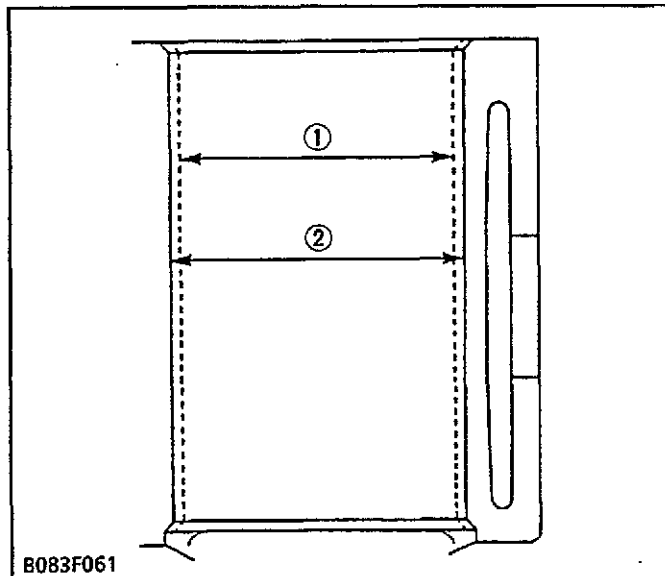
0107P074

- A : Approx. 20 mm (0.787 in.)
- B : Approx. 40 mm (1.575 in.)
- C : Approx. 100 mm (3.937 in.)
- a : Right-angled to Piston Pin
- b : Piston Pin Direction

**Cylinder Wear**

1. Measure the I.D. of the cylinder at the six positions (See figure) with a cylinder gauge to find the maximum and minimum I.D.'s.
2. Get the difference (Maximum wear) between the maximum and the minimum I.D.'s.
3. If the wear exceeds the allowable limit, bore and hone to the oversize dimension.
4. Visually check the cylinder wall for scratches. If deep scratches are found, the cylinder should be bored.

Cylinder I.D.	Factory spec.	D650-B	64.000 to 64.019 mm 2.5394 to 2.5204 in.
		Z500-B, D750-B	68.000 to 68.019 mm 2.6772 to 2.6779 in.
		Z600-B, ZH600-B D850-B, DH850-B V1100-B, VH1100-B	72.000 to 72.019 mm 2.8346 to 2.8353 in.
		D950-B, V1200-B	75.000 to 75.019 mm 2.9528 to 2.9535 in.
Maximum wear		Allowable limit	0.15 mm 0.0059 in.



B083F061

- (1) Cylinder I.D. (Before Correction)
- (2) Oversize Cylinder I.D.

**Correcting Cylinder**

1. When the cylinder is worn beyond the allowable limit, bore and hone it to the specified dimension.

**(Oversize Cylinder I.D.)**

Factory spec.	D650-B	64.500 to 64.519 mm 2.5394 to 2.5401 in.	
	Z500-B, D750-B	68.500 to 68.519 mm 2.6969 to 2.6976 in.	
	Z600-B, ZH600-B D850-B, DH850-B V1100-B, VH1100-B	72.500 to 72.519 mm 2.8543 to 2.8551 in.	
	D950-B, V1200-B	75.500 to 75.519 mm 2.9724 to 2.9732 in.	
Maximum wear		Allowable limit	0.15 mm 0.0059 in.
Finishing		Hone to 1.2 to 2.0 μR max. ∇∇∇ (0.000047 to 0.000079 in. R max.)	

2. Replace the piston and piston rings with oversize ones. (Make reference to a parts list)

**■ IMPORTANT**

- When the oversize cylinder is worn beyond the allowable limit, the conventional cylinder liner can be installed for servicing.

**[5] CYLINDRE****Usure du cylindre**

D. I. du cylindre	Valeur de référence	D650-B	64,000 à 64,019 mm
		Z500-B, D750-B	68,000 à 68,019 mm
		Z600-B, ZH600-B D850-B, DH850-B V1100-B, VH1100-B	72,000 à 72,019 mm
		D950-B, V1200-B	75,000 à 75,019 mm
Usure maximum   Limite de service		0,15 mm	

**Rectification du cylindr**

1.  $\frac{b}{c}$  et affiler  $\frac{d}{e}$   $\frac{f}{g}$   $\frac{h}{i}$   
 dimension  $\frac{j}{k}$   $\frac{l}{m}$   
 l.  $\frac{n}{o}$  surdimensionné)

Valeur de référence	D650-B	64,500 à 64,519 mm
	Z500-B, D750-B	68,500 à 68,519 mm
	Z600-B, ZH600-B D850-B, DH850-B V1100-B, VH1100-B	72,500 à 72,519 mm
	D950-B, V1200-B	75,500 à 75,519 mm
Usure maximum		Limite de service   0,15 mm
Finissage		Affiler jusqu'à 1,2 à 2,0 µR maxi. ∇∇∇

**[5] ZYLINDER****Zylinderverschleiß**

- Mit einem Lehrdorn den Zylinder-Innendurchmesser an sechs Stellen messen (siehe Abbildung), um den größten und kleinsten Innendurchmesser zu festzustellen.
- Den Unterschied (Maximalverschleiß) zwischen den größten und kleinsten Innendurchmesser bestimmen.
- Falls die zulässige Verschleißgrenze überschritten ist, ist der Zylinder auf das Übermaß aufzubohren und zu honen.
- Die Zylinderwand durch Sichtprüfung auf Kratzer prüfen. Den Zylinder aufbohren, wenn tiefe Kratzer gefunden werden.

Zylinder-Innendurchmesser	Werkdaten	D650-B	64,000 bis 64,019 mm
		Z500-B, D750-B	68,000 bis 68,019 mm
		Z600-B, ZH600-B D850-B, DH850-B V1100-B, VH1100-B	72,000 bis 72,019 mm
		D950-B, V1200-B	75,000 bis 75,019 mm
Maximalverschleiß		Zulässiger Grenzwert	0,15 mm

A: Ca. 20 mm

B: Ca. 40 mm

C: Ca. 100 mm

a: Rechtwinklig zum  
Kolbenbolzen

b: In Kolbenbolzenrichtung

**Korrektur des Zylinders**

- Wenn der Zylinderverschleiß die zulässige Grenze überschritt, ist der Zylinder auf die vorgeschriebene Abmessungen aufzubohren und zu honen.

**(Übermaßzylinder-Inndurchmesser)**

Werkdaten	D650-B	64,500 bis 64,519 mm	
	Z500-B, D750-B	68,500 bis 68,519 mm	
	Z600-B, ZH600-B D850-B, DH850-B V1100-B, VH1100-B	72,500 bis 72,519 mm	
	D950-B, V1200-B	75,500 bis 75,519 mm	
Maximalverschleiß		Zulässiger Grenzwert   0,15 mm	
Feinbearbeitung		Auf 1,2 bis 2,0 µR max. honen ∇∇∇	

- Den kolben und die Kolbenringe gegen Übermaßkolben und-Ringe auswechseln.

**■ WICHTIG**

- Wenn der Übermaßzylinder über die zulässige Grenze hinaus abgenutzt ist, kann die konventionelle Zylinderlaufbüchse für Wartungsarbeit eingebaut werden.

(1) Zylinder-Innendurchmesser (vor der Korrektur)

(2) Übermaßzylinder-Inndurchmesser

■ NOTE

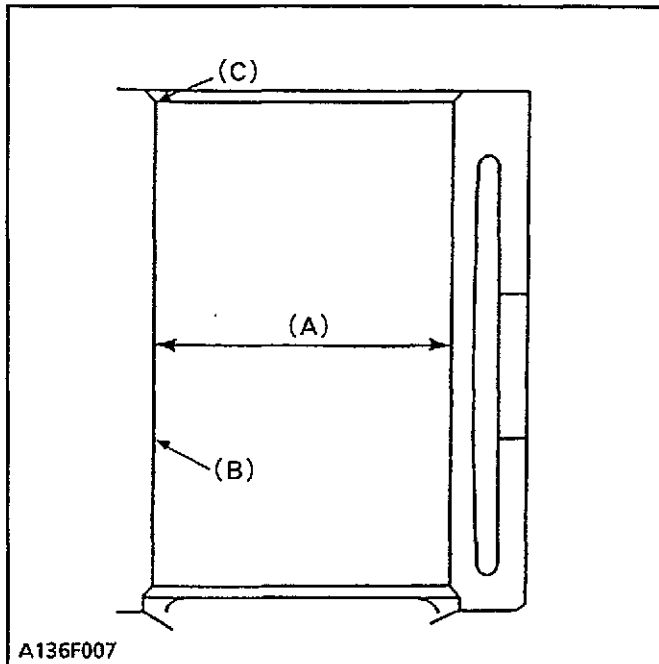
- When the oversize cylinder is worn beyond the allowable limit:

[Type with liner]

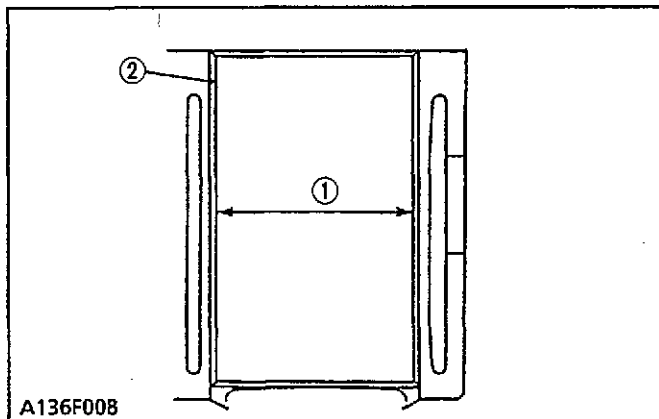
Replace the cylinder liner for servicing in accordance with items 2, 3, and 4 under "Cylinder Liner Installation".

[Liner-less type]

Replace the cylinder block, or install the cylinder liner for servicing in accordance with each item under "Cylinder Liner Installation".



A136F007



A136F008

(1) Cylinder I.D. (After finishing) (2) Cylinder Liner

**Cylinder Liner Installation**

■ NOTE

- The cylinder liner is used only when wear of the liner-less type engine cylinder exceeds 0.5 mm (0.0197 in.).

1. Bore and finish the crankcase cylinder to the dimension specified below.

Factory spec. (A)	D650-B	67.000 to 67.019 mm 2.6378 to 2.6385 in.
	Z500-B, D750-B	71.000 to 71.019 mm 2.7953 to 2.7960 in.
	Z600-B, ZH600-B D850-B, DH850-B V1100-B, VH1100-B	75.000 to 75.019 mm 2.9528 to 2.9535 in.
Finishing (B)	Allowable limit	6.3 μm R max. 0.000248 in. R max.
Chamfer the upper cylinder area to (c)		C0.1 to C0.2 mm C0.0039 to C0.0079 in.

2. Clean matching surface of the liner and crankcase cylinder then apply the engine oil.
3. Press in the cylinder liner into the crankcase cylinder in position.
4. Bore and hone to finish the cylinder liner to the dimension specified below. Install the standard piston and piston ring.

Factory spec.	D650-B	64.000 to 64.019 mm 2.5197 to 2.5204 in.
	Z500-B, D750-B	68.000 to 68.019 mm 2.6772 to 2.6779 in.
	Z600-B, ZH600-B D850-B, DH850-B V1100-B, VH1100-B	72.000 to 72.019 mm 2.8346 to 2.8353 in.
	D950-B, V1200-B	75.000 to 75.019 mm 2.9528 to 2.9535 in.
Hone to		1.2 to 2 μR max. 0.0472 to 0.0787 in. R max.

### ■ NOTA

- Lorsque le cylindre surdimensionné est utilisé au-delà de la limite de service :

#### [Type avec chemise]

Remplacer la chemise de cylindre par celle pour l'entretien conformément aux alinéas 2, 3 et 4 du paragraphe "Pose de la chemise de cylindre".

#### [Type sans chemise]

Remplacer le bloc-moteur ou poser une chemise de cylindre conformément aux alinéas du paragraphe "Pose de la chemise de cylindre".

### Pose de la chemise de cylindre

### ■ NOTA

- La chemise de cylindre n'est utilisée que lorsque l'usure du cylindre du moteur de type sans chemise est supérieure à 0,5 mm.

1. Aléser et finir le cylindre du carter moteur jusqu'à la dimension spécifiée ci-dessous.

Valeur de référence (A)	D650-B	67,000 à 67,019 mm
	Z500-B, D750-B	71,000 à 71,019 mm
	Z600-B, ZH600-B D850-B, DH850-B V1100-B, VH1100-B	75,000 à 75,019 mm
Finissage (B)	Limite de service	6,3 µm R max.
Chanfreiner la partie supérieure du cylindre à C0,1 à C0,2 mm (c)		

2. Nettoyer les surfaces de montage de la chemise et du cylindre du carter moteur, puis appliquer de l'huile moteur.
3. Faire entrer la chemise de cylindre en place dans le cylindre du carter moteur.
4. Aléser et affiler pour finir la chemise de cylindre à la dimension spécifiée ci-dessous. Poser le piston et le segment standard.

Valeur de référence	D650-B	64,000 à 64,019 mm
	Z500-B, D750-B	68,000 à 68,019 mm
	Z600-B, ZH600-B D850-B, DH850-B V1100-B, VH1100-B	72,000 à 72,019 mm
	D950-B, V1200-B	75,000 à 75,019 mm
Affiler jusqu'à 1,2 à 2 µR maxi.		

(1) D.I. du cylindre (après finissage)

(2) Chemise de cylindre

Werkdaten (A)	D650-B	67,000 bis 67,019 mm
	Z500-B, D750-B	71,000 bis 71,019 mm
	Z600-B, ZH600-B D850-B, DH850-B V1100-B, VH1100-B	75,000 bis 75,019 mm
Die obere Zylinderfläche auf 0,1 bis 0,2 mm anfasen. (c)		

2. Die angepaßten Laufbüchsen- und Kurbelgehäuse-Zylinderflächen reinigen und dann Motoröl aus sie auftragen.
3. Die Zylinderlaufbüchse in ihren Platz im Kurbelgehäuse-Zylinder eintreiben.
4. Die Zylinderlaufbüchse auf die unten angegebenen Abmessungen aufbohren und feinbearbeiten. Den Standard-Kolben und Kolbenring einbauen.

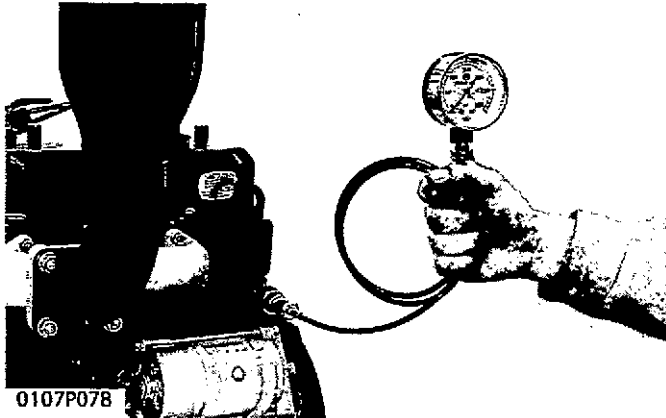
Werkdaten	D650-B	64,000 à 64,019 mm
	Z500-B, D750-B	68,000 à 68,019 mm
	Z600-B, ZH600-B D850-B, DH850-B V1100-B, VH1100-B	72,000 à 72,019 mm
	D950-B, V1200-B	75,000 à 75,019 mm

(1) Zylinder-Innendurchmesser (Nach der Feinbearbeitung)

(2) Zylinderlaufbüchse

## 2 LUBRICATING SYSTEM

### CHECKING

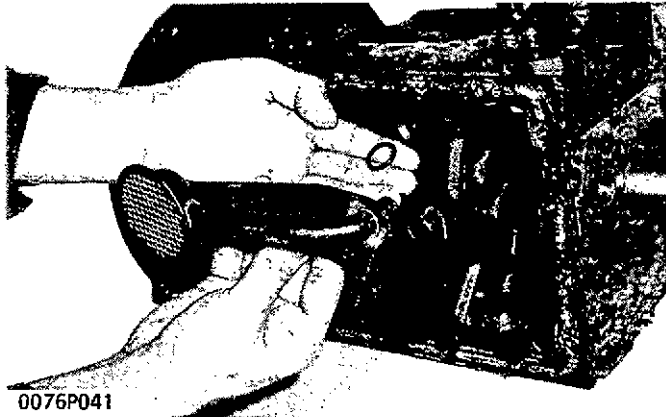


0107P078

#### Engine Oil Pressure

1. Remove the oil switch and set a pressure tester (Code No: 07916-32031).
2. Start the engine. After warming up, measure the oil pressure of both idling and rated speeds.
3. If the oil pressure is less than the allowable limit, check the following.
  - Engine oil insufficient
  - Oil pump defective
  - Oil strainer clogged
  - Oil gallery clogged
  - Excessive oil clearance of bearing
  - Foreign matter in the relief valve

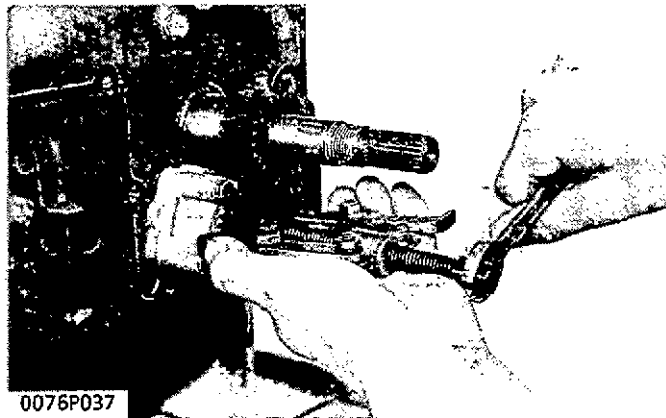
### DISASSEMBLING AND ASSEMBLING



0076P041

#### Oil Strainer

1. Detach the oil pan by lightly tapping the groove of the pan with a wooden hammer.
2. Remove the mounting bolt of oil filter.
3. Detach oil filter 1, being careful of the O-ring.



0076P037

#### Oil Pump

1. Straighten the claw of the claw washer of the oil pump, and remove the nut.
2. Draw out the oil pump drive gear with gear puller.
3. Remove the four oil pump mounting bolts. Detach the oil pump.

## 2 SYSTEME DE LUBRIFICATION

### VERIFICATION

#### Pression d'huile moteur

1. Enlever le manocontact de pression d'huile et brancher un manomètre (Référence 07916-32031).
2. Démarrer le moteur. Mesurer la pression d'huile au régime ralenti et au régime nominale quand le moteur est chaud.
3. Vérifier les éléments suivants si la pression d'huile est inférieure à la limite de service.
  - Quantité insuffisante d'huile-moteur
  - Pompe à huile défectueuse
  - Crépine encrassé
  - Jeu de marche de coussinet excessif
  - Saletés dans la soupape de décharge
  - Passage d'huile obstrué

### DEMONTAGE ET MONTAGE

#### Crépine à huile

1. Détacher le carter en tapotant le long de son encoche avec un maillet.
2. Retirer le boulon de fixation du filtre.
3. Détacher le filtre 1 en faisant attention au joint torique.

#### Pompe à huile

1. Redresser la griffe de la rondelle de la pompe à huile et retirer l'écrou.
2. Sortir le pignon de pompe à huile au moyen d'un extracteur.
3. Retirer les 4 boulons fixant la pompe et détacher cette dernière.

## 2 SCHMIERUNGSSYSTEM

### ÜBERPRÜFUNG

#### Motoröldruck

1. Den Ölschalter entfernen und ein Öldruckprüfer (Code Nr.07916-32031) ansetzen.
2. Den Motor anlassen. Nachdem er warm gelaufen ist, den Öldruck im Leerlauf und bei unten angegebener Drehzahl messen.
3. Falls der Öldruck unter dem zulässigen Grenzwert, folgende Punkte überprüfen:
  - Ungenügend Motoröl
  - Ölpumpe defekt
  - Ölfilter verstopft
  - Übermäßiger Ölspiel an den Lagern
  - Fremdkörper im Überdruckventil
  - Ölkanal verstopft

### AUS- UND EINBAU

#### Ölfilter

1. Die Ölwanne durch leichtes Schlagen der Rille der Wanne mit einem Holzhammer entsprechend entfernen.
2. Die Montagebolzen des Ölfilters entfernen.
3. Den Ölfilter 1 entfernen, wobei auf den O-Ring geachtet werden muß.

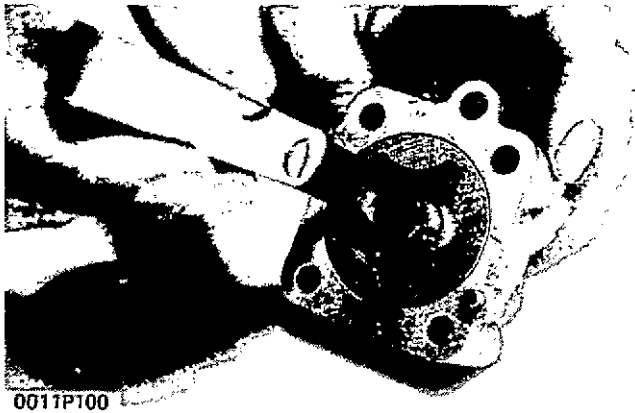
#### Ölpumpe

1. Die Klammer der Klammerunterlegscheibe der Ölpumpe geradebiegen und die Mutter entfernen.
2. Das Ölpumpentreibzahnrad mit einem Zahnradzieher herausziehen.
3. Die vier Stellbolzen der Ölpumpe entfernen. Die Ölpumpe abnehmen.

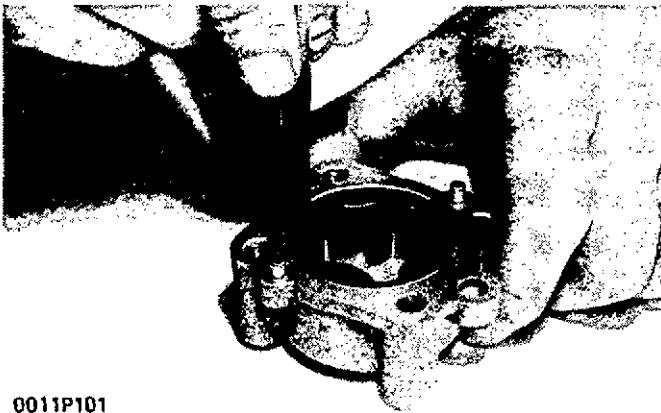


## SERVICING

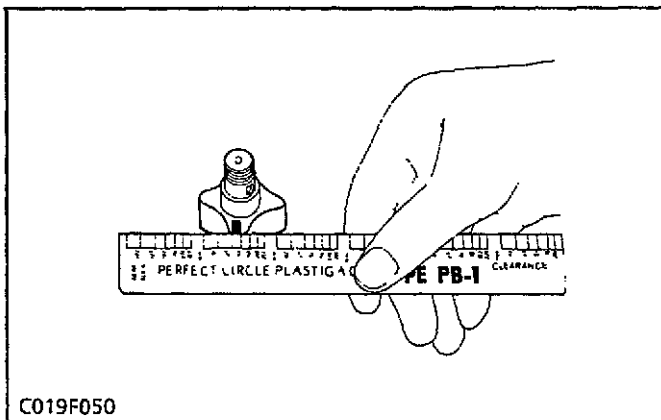
### [1] OIL PUMP



0011P100



0011P101



C019F050

#### Rotor Lobe Clearance

1. Measure the clearance between lobes of the inner rotor and the outer rotor with a feeler gauge.
2. If the clearance exceeds the allowable limit, replace the oil pump rotor assembly.

#### Clearance between Outer Rotor and Pump Body

1. Measure the clearance between the outer rotor and the pump body with a feeler gauge.
2. If the clearance exceeds the allowable limit, replace the oil pump rotor assembly.

#### Clearance between Rotor and Cover

1. Put a strip of press gauge (Code No: 07909-30241) onto the rotor face with grease.
2. Install the cover and tighten the screws.
3. Remove the cover carefully, and measure the width of the press gauge with a sheet of gauge.
4. If the clearance exceeds the allowable limit, replace oil pump rotor assembly.

## ENTRETIEN

### [1] POMPE A HUILE

#### Jeu de lobe de rotor

1. Mesurer le jeu entre les lobes des rotors intérieur et extérieur, avec une jauge d'épaisseur.
2. Si le jeu dépasse la limite de service remplacer l'ensemble de rotor de pompe à huile.

#### Jeu entre le rotor extérieur et la corps de pompe

1. Mesurer le jeu entre le rotor extérieur et le corps de pompe avec une jauge d'épaisseur.
2. Si le jeu dépasse la limite de service, remplacer l'ensemble de rotor de pompe à huile.

#### Jeu entre le rotor et le couvercle

1. Disposer une jauge plastique (Référence: 07909-30241) sur la paroi graissée du rotor.
2. Poser le couvercle et serrer les vis.
3. Déposer le couvercle avec précaution et mesurer la dépression du manomètre à l'aide d'un tableau d'équivalence.
4. Si le jeu excède la limite de service, remplacer l'ensemble de rotor de pompe à huile.

## WARTUNG

### [1] ÖLPUMPE

#### Spiel zwischen innerem und äußerem Flügelrad

1. Das Spiel zwischen dem inneren und äußeren Flügelrad mit Hilfe einer Fühlerlehre messen.
2. Wenn das Spiel den zulässigen Grenzwert überschreitet, den Flügelradsatz austauschen.

#### Spiel zwischen äußerem Flügelrad und Pumpengehäuse

1. Das Spiel zwischen dem äußeren Flügelrad und dem Pumpengehäuse mit Hilfe einer Fühlerlehre messen.
2. Wenn das Spiel den zulässigen Grenzwert überschreitet, den Flügelradsatz austauschen.

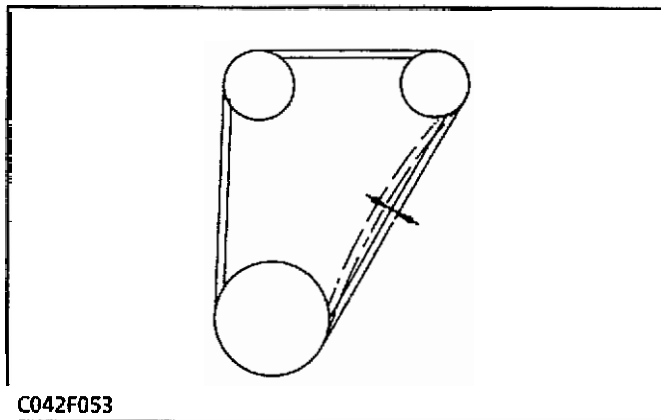
#### Spiel zwischen Flügelrad und Abdeckung

1. Einen Streifen der Preßmeßgerät (Code Nr. 07909-30241) mit etwas Fett auf die Flügelrades setzen.
2. Deckel aufschrauben.
3. Die deckel vorsichtig entfernen und das Meßplättchen mit einer Blattlehre messen.
4. Wenn das Spiel den zulässigen Grenzwert überschreitet, den Flügelraasatz austauschen.

# 3 COOLING SYSTEM

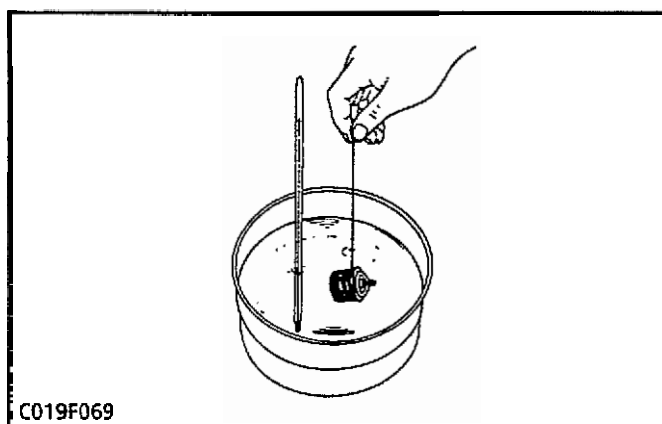
## CHECKING

### [1] FAN BELT



#### Fan Belt Tension

1. Press the fan belt between fan pulley and pulley with your finger at force of 10 kgf (98N, 22 lbs). Check if the fan belt deflection is 7 to 9 mm (0.28 to 0.35 in.)
2. If the deflection is not within the factory specifications, adjust with the tension pulley adjusting nut.



#### Thermostat's Valve Opening Temperature

1. Push down the thermostat valve and insert a string between the valve and the valve seat.
2. Place the thermostat and a thermometer in a container with water and gradually heat the water.
3. Hold the string to suspend the thermostat in the water. When the water temperature rises, the thermostat valve will open, allowing it to fall down from the string. Read the temperature at this moment on the thermometer.
4. Continue heating the water and read the temperature when the valve has risen by about 6 mm (0.236 in.).
5. If the measurement is not acceptable, replace the thermostat.

Thermostat's valve opening temperature	Factory spec.	80.5 to 83.5°C 176.9 to 182.3°F
Temperature at which thermostat completely opens	Factory spec.	95°C 203°F

### [2] RADIATOR

#### **CAUTION**

- When removing the radiator cap, wait at least ten minutes after the engine has stopped and cooled down. Otherwise, hot water may gush out, scalding nearby people.

## 3 SYSTEME DE REFRROIDISSEMENT

### VERIFICATION

#### [1] COURROIE DE VENTILATEUR

##### Tension de courroie de ventilateur

1. Appuyer sur la courroie de ventilateur au doigt entre la poulie de ventilateur et la poulie avec une force de 10 kgf (98N). Vérifier si la tension de la courroie de ventilateur est de 7 à 9 mm.
2. Si la tension ne concorde pas avec les valeurs de référence, l'ajuster au moyen de l'écrou de réglage de la poulie de tension.

##### Température d'ouverture de vanne de thermostat

1. Appuyer sur la vanne de thermostat et introduire une corde entre la vanne et le siège de vanne.
2. Mettre le thermostat et un thermomètre dans un récipient d'eau puis chauffer l'eau progressivement.
3. Tenir la corde pour suspendre le thermostat dans l'eau. Lorsque la température de l'eau augmente, le clapet du thermostat doit s'ouvrir, ce qui la fera tomber de la corde. Sur le thermomètre, relever la température indiquée à ce moment.
4. Continuer de chauffer l'eau et mesurer la température lorsque le clapet s'est soulevé d'environ 6 mm.
5. Si la mesure est inacceptable, remplacer le thermostat.

Température d'ouverture du clapet thermostat	Valeur de référence	80,5 à 83,5°C
Température d'ouverture complète du thermostat	Valeur de référence	95°C

#### [2] RADIATEUR

##### ATTENTION

- Lors de l'enlèvement du bouchon de radiateur, attendre au moins 10 minutes après l'arrêt et le refroidissement du moteur. Autrement, l'eau chaude peut jaillir, échaudant le personnel.

## 3 KÜHLUNGSSYSTEM

### ÜBERPRÜFUNG

#### [1] LÜFTERRIEMEN

##### Spannung des Lüfterriemens

1. Auf den Lüfterriemen zwischen der Lüfterriemenscheibe und Spannrolle mit dem Finger mit einer Kraft von 10 kp (98N) drücken. Überprüfen, ob die Durchsenkung des Lüfterriemens zwischen 7 bis 9 mm beträgt.
2. Ist die Durchsenkung nicht innerhalb die Werkdatenlieft, die Spannung mit der Spannrollen-Einstellmutter berichtigen.

##### Öffnungstemperatur des Thermostatventils

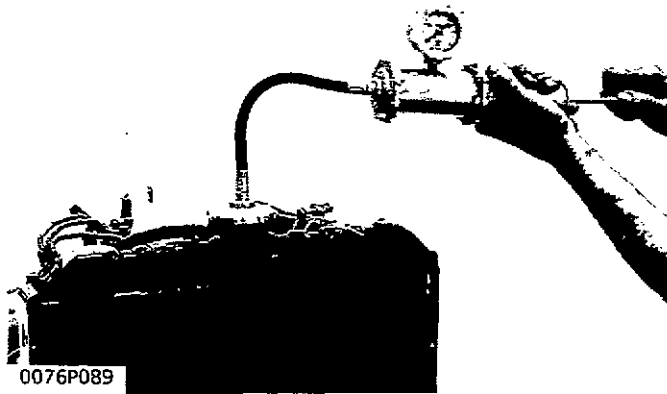
1. Den Thermostatventil herunterdrücken und eine Schnur zwischen das Ventil und den Ventilsitz einfügen.
2. Den thermostat und ein Thermometer in einen mit Wasser gefüllten Behälter legen und das Wasser allmählich erhitzen.
3. Die Schnur so halten, daß der Thermostat im Wasser aufgehängt ist. Wenn die Wassertemperatur ansteigt, öffnet das Thermostatventil und es fällt von der Schnur herunter. Sodann ist die Temperatur am Thermometer abzulesen.
4. Das Wasser weiter erhitzen und die Temperatur ablesen, wenn das Ventil um etwa 6 mm angehoben hat.
5. Wenn die Messung nicht akzeptabel ist, den Thermostat austauschen.

Öffnungstemperatur des Thermostatventils	Werkdaten	80,5 bis 83,5°C
Temperatur, für vollständige Öffnung des Thermostats	Werkdaten	95°C

#### [2] KÜHLER

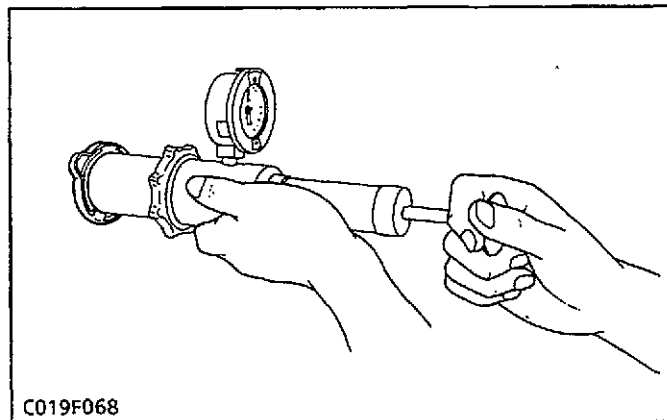
##### ACHTUNG

- Beim Entfernen der Kühlerverschlußkappe wenigstens zehn Minuten lang nach dem Abstellen des Motors warten, bis der Motor abgekühlt ist. Sonst könnte heißes Wasser hervorsprudeln und Personen in der Umgebung verletzen.



### Radiator Water Leakage

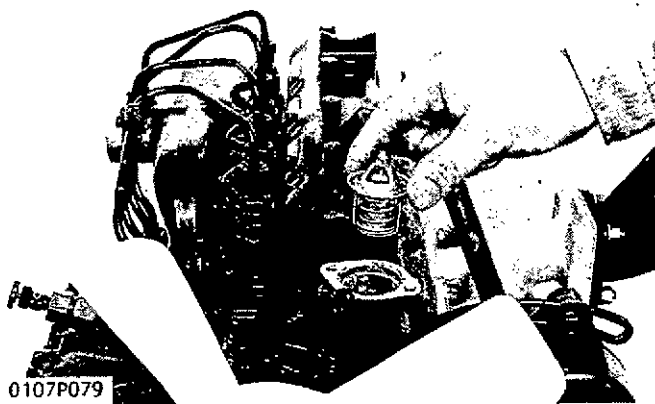
1. Pour a specified amount of water into the radiator.
2. Set a radiator tester (Code No: 07909-31551). Increase water pressure to the specified pressure of 1.4 kgf/cm<sup>2</sup> (137 kPa, 20 psi).
3. Check each section for water leakage.
4. When water leakage is excessive, replace the radiator. If water leakage is caused by a small pinhole, correct the radiator with radiator cement.



### Radiator Cap Air Leakage

1. Set a radiator tester (Code No: 07909-31551) to the radiator cap.
2. Apply the specified pressure of 0.9 kgf/cm<sup>2</sup> (98.1 kPa, 12.8 psi).
3. Check if the pressure drop to less than 0.6 kgf/cm<sup>2</sup> (59 kPa, 9 psi) in 10 seconds.
4. If the pressure is less than the factory specification, replace it.

## DISASSEMBLING AND ASSEMBLING

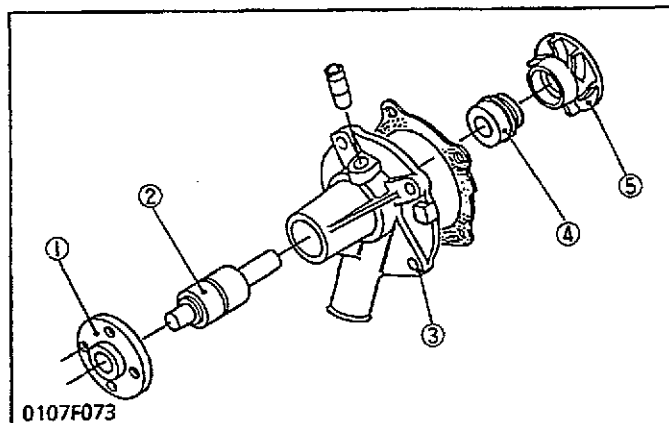


### Thermostat

1. Remove the thermostat cover.
2. Remove the thermostat.

### (When reassembling)

- Apply a liquid gasket (Three Bond 1215 or equivalent) only at the thermostat cover side of the gasket.



### Water Pump

1. Remove the fan and fan pulley.
2. Remove the water pump from gear case cover.
3. Remove the water pump flange (1).
4. Press out the water pump shaft (2) with the impeller (5) on it.
5. Remove the impeller from the water pump shaft.
6. Remove the mechanical seal (4).

### (When reassembling)

- Replace the mechanical seal with new one.

- (1) Water Pump Flange
- (2) Water Pump Shaft
- (3) Water Pump Body
- (4) Mechanical Seal
- (5) Impeller

**Fuite d'eau sur le radiateur**

1. Verser un volume spécifié d'eau dans le radiateur.
2. Installer un appareil d'essai de radiateur (Référence: 07909-31551). Augmenter la pression d'eau jusqu'à la valeur spécifiée, soit 1,4 kgf/cm<sup>2</sup> (137 kPa, 1,37 bar).
3. Vérifier chaque partie pour s'assurer de l'absence de fuite d'eau.
4. Lorsque la fuite d'eau est excessive, remplacer le radiateur. Si la fuite d'eau provient d'une petite piqûre, réparer le radiateur avec du ciment.

**Fuite d'air au niveau du bouchon de radiateur**

1. Monter un appareil d'essai de radiateur (Référence: 07909-31551) sur le bouchon du radiateur.
2. Appliquer la pression spécifiée de 0,9 kgf/cm<sup>2</sup> (98,1 kPa, 0,88 bar).
3. Vérifier si la perte de charge en 10 secondes est inférieure à 0,6 kgf/cm<sup>2</sup> (59 kPa, 0,59 bar).
4. Si la pression est inférieure à la valeur de référence, remplacer le bouchon de radiateur.

**DEMONTAGE ET MONTAGE****Thermostat**

1. Enlever le couvercle de thermostat.
2. Enlever le thermostat.

**(Au remontage)**

- Appliquer un joint liquide (Three Bond 1215 ou équivalent) mais seulement sur le côté du joint faisant face au couvercle de thermostat.

**Pompe à eau**

1. Enlever le ventilateur et la poulie de ventilateur.
2. Enlever la pompe à eau du couvercle de carter de distribution.
3. Enlever la bride de la pompe à eau (1).
4. Chasser à la presse l'arbre de pompe à eau (2) avec la turbine (5).
5. Enlever la turbine de l'arbre de pompe à eau.
6. Enlever le joint mécanique (4).

**(Au remontage)**

- Remplacer le joint mécanique par un joint mécanique neuf.

- (1) Bride de pompe à eau
- (2) Arbre de pompe à eau
- (3) Corps de pompe à eau
- (4) Joint mécanique
- (5) Turbine

**Wasserverlust im Kühler**

1. Eine spezifizierte Menge von Wasser in den Kühler einfüllen.
2. Ein Kühler-Testgerät (CodeNr. 07909-31551) anbringen. Den Wasserdruck auf den spezifizierten Druck von 1,4 kp/cm<sup>2</sup> (137 kPa, 1,37 bar) erhöhen.
3. Jeden Teil auf Wasserverlust überprüfen.
4. Wird ein übermäßiger Wasserverlust festgestellt den Kühler auswechseln. Wird der Wasserverlust durch ein feines Loch verursacht, den Kühler mit Kühlerzement ausbessern.

**Entlüftung durch Kühlerverschlußkappe**

1. Ein Kühler- Testgerät (CodeNr. 07909-31551) an der Kühlerverschlußkappe ansetzen.
2. Den vorgeschriebenen Druck von 0,9 kp/cm<sup>2</sup> (98,1 kPa, 0,88 bar) aufbringen.
3. Überprüfen, ob der Druck innerhalb von 10 Sekunden bis auf weniger als 0,6 kp/cm<sup>2</sup> (59 kPa, 0,59 bar) abfällt.
4. Unterschreitet der Druck die Werkdaten, die Kappe auswechseln.

**AUSBAU UND EINBAU****Thermostat**

1. Die Thermostatabdeckung entfernen.
2. Den Thermostat entfernen.

**(Beim Wiedereinbau)**

- Nur auf die Thermostatabdeckungsseite der Dichtung eine flüssige Dichtung (Three Bond 1215 oder ähnlich) versehen.

**Wasserpumpe**

1. Den Lüfter und die Lüfterriemenscheibe entfernen.
2. Die Wasserpumpe vom Getriebegehäusedeckel entfernen.
3. Den Wasserpumpenflansch (1) entfernen.
4. Den Wasserpumpenschaft (2) mit dem Flügelrad (5) herausdrücken.
5. Das Flügelrad vom Wasserpumpenschaft abnehmen.
6. Die mechanische Dichtung (4) entfernen.

**(Beim Wiedereinbau)**

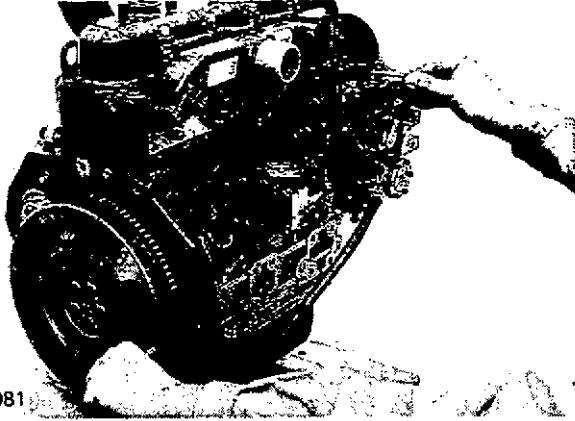
- Die mechanische Dichtung gegen eine neue austauschen.

- (1) Wasserpumpenflansch
- (2) Wasserpumpenschaft
- (3) Wasserpumpengehäuse
- (4) Mechanische Dichtung
- (5) Flügelrad

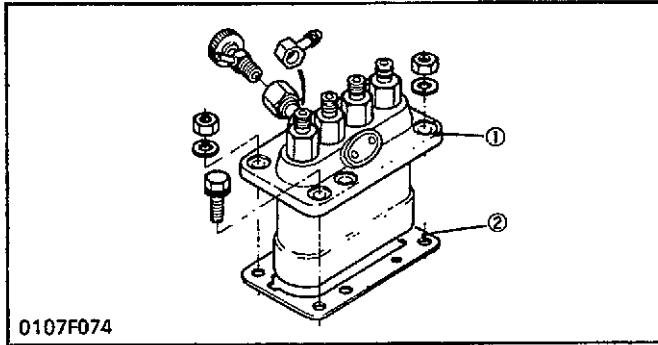
# 4 FUEL SYSTEM

## CHECKING AND ADJUSTING

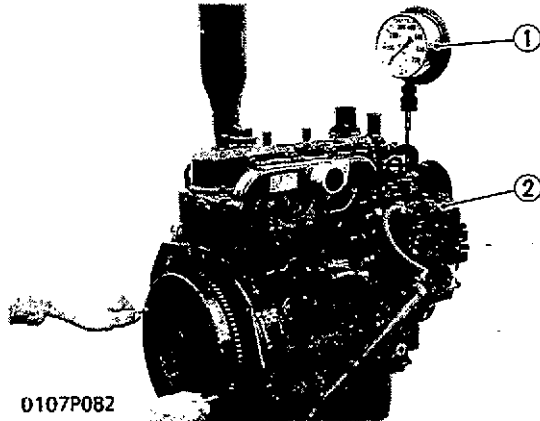
### [1] INJECTION PUMP



0107P081



0107F074



0107P082

#### Injection Timing

1. Remove the injection pipes.
2. Set the speed control lever for maximum fuel discharge.
3. Turn the flywheel counterclockwise until fuel flows from the delivery valve holder.
4. Continue to turn the flywheel slowly, and stop it as soon as the fuel level at the tip of the delivery valve holder begins to increase.
5. Check to see if the mark "F1" on the flywheel is aligned with the punch mark.
6. If the timing is out of adjustment, readjust the timing with shims (2).

#### ■ NOTE

- Adding or removing one shim (0.15 mm, 0.0059 in.) varies the crank angle by approx. 1.5° (0.026 rad).

- (1) Injection Pump  
(2) Shims

#### Fuel Tightness of Pump Element

1. Remove the injection pipe.
2. Install the injection pump pressure tester (1) to the injection pump.
3. Set the speed control lever (2) to the maximum speed position.
4. Turn the flywheel ten times or more to increase the pressure.
5. If the pressure can not reach the allowable limit, replace the pump element or injection pump assembly.

- (1) Injection Pump Pressure Tester  
(2) Speed control Lever

#### Fuel Tightness of Delivery Valve

1. Set a pressure tester to the fuel injection pump.
2. Rotate the flywheel to increase the pressure to 150 kgf/cm<sup>2</sup> (14.7 MPa, 2133 psi).
3. Align the plunger with the bottom dead center.
4. Measure the time needed to decrease the pressure from 150 to 140 kgf/cm<sup>2</sup> (14.7 to 13.7 MPa, 2133 to 1990 psi).
5. If the measurement is less than allowable limit, replace the delivery valve.

## 4 SYSTEME D'ALIMENTATION

### VERIFICATION ET REGLAGE

#### [1] POMPE D'INJECTION

##### Calage de l'injection

1. Démontez les conduits d'injection.
2. Mettre le levier de réglage de régime sur la position de débit maximum de carburant.
3. Faire tourner le volant dans le sens antihorlogique jusqu'à ce que du carburant s'écoule par le support de clapet de sortie.
4. Continuer de tourner lentement le volant et l'arrêter dès que le niveau du carburant, à la pointe du porte-injecteur, commence à augmenter.
5. Vérifier si le repère "FI" du volant est aligné avec le repère gravé.
6. Si le calage est déréglé, le régler avec des cales (2).

##### ■ NOTA

- En ajoutant ou en supprimant une cale d'épaisseur (0,15 mm), on fait varier l'angle de calage d'environ 1,5° (0,026 rad.).

- (1) Pompe d'injection  
(2) Cales d'épaisseur

##### Étanchéité au carburant de l'élément de pompe

1. Déposer le tuyau d'injection.
2. Disposer un manomètre de pression (1) de la pompe d'injection sur la pompe d'injection.
3. Positionner le levier de commande de vitesse (2) sur la position de vitesse maximum.
4. Faire tourner le moteur au moins dix fois afin d'accroître la pression.
5. Si la pression ne peut atteindre la limite de service, remplace l'élément de pompe ou l'ensemble de pompe d'injection.

- (1) Manomètre de pression de la pompe d'injection  
(2) Levier de commande de vitesse

##### Étanchéité au carburant du clapet de refoulement

1. Mettre un manomètre sur la pompe d'injection.
2. Faire tourner le volant pour augmenter la pression jusqu'à 150 kgf/cm<sup>2</sup> (14,7 MPa).
3. Aligner le plongeur avec le point mort bas.
4. Mesurer le temps nécessaire pour faire tomber la pression de 150 à 140 kgf/cm<sup>2</sup> (14,7 à 13,7 MPa).
5. Si la mesure est inférieure à la limite de service, remplacer le clapet de refoulement.

## 4 KRAFTSTOFF-SYSTEM

### ÜBERPRÜFUNG UND EINSTELLUNG

#### [1] EINSPRITZPUMPE

##### Spritzeinstellung

1. Die Einspritzleitungen entfernen.
2. Den Geschwindigkeitssteuerhebel auf maximale Kraftstoffentladung einstellen.
3. Das Schwungrad entgegen dem Uhrzeigersinn drehen, bis Kraftstoff aus dem Druckventilhalter ausfließt.
4. Das Schwungrad langsam weiterdrehen und anhalten, sobald das Kraftstoffniveau an der Spitze des Druckventils anzusteigen beginnt.
5. Prüfen, ob die Markierung "FI" im Schwungrad mit der eingestanzten Markierung übereinstimmt.
6. Wenn die Einstellung nicht mehr korrekt ist, diese mit Hilfe von Blechbeilagen (2) korrigieren.

##### ■ ANMERKUNG

- Durch Hinzufügung oder Entfernung einer Blechbeilage (0,15 mm) wird der Kurbelwinkel um ca. 1,5° (0,026 rad.) verändert.

- (1) Einspritzpumpe  
(2) Blechbeilage

##### Kraftstoffdichtigkeit des Pumpenelementes

1. Die Einspritzleitung abnehmen.
2. Das Druckmesser für Einspritzpumpe (1) an der Einspritzpumpe anbringen.
3. Den Gashebel (2) in die Vollgasstellung schieben.
4. Den Motor mit Hilfe der Anlasserkurbel 10 Mal umdrehen, damit sich Druck in der Einspritzpumpe aufbaut.
5. Erreicht der Druck nicht der Zulässigen Grenzwert, das pumpenelement oder die Einspritzpumpen-Baugruppe austauschen.

- (1) Druckmesser für Einspritzpumpe  
(2) Gashebel

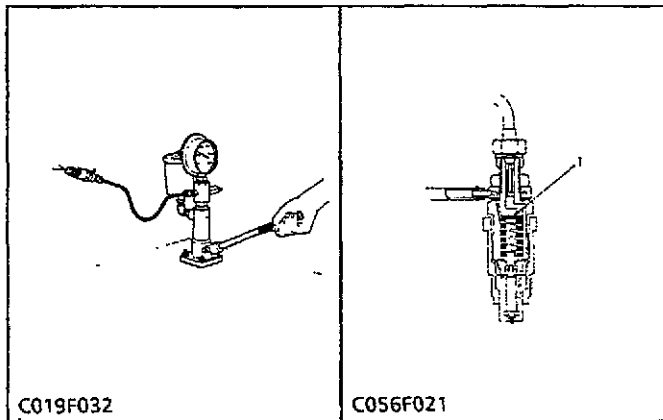
##### Kraftstoffdichtigkeit des Druckventils

1. Einen Druckmesser an der Kraftstoffeinspritzpumpe anschließen.
2. Das Schwungrad drehen, um den Druck auf 150 kgf/cm<sup>2</sup> (14,7 MPa) zu erhöhen.
3. Den Tauchkolben mit dem unteren Totpunkt ausrichten.
4. Die Zeit messen, die erforderlich ist, damit der Druck von 150 auf 140 kgf/cm<sup>2</sup> (14,7 auf 13,7 MPa) abfällt.
5. Wenn die Messung unter dem zulässigen Grenzwert liegt, das Druckventil austauschen.



**[2] INJECTION NOZZLE****⚠ CAUTION**

- Check the nozzle injection pressure and condition after confirming that there is nobody standing in the direction the fume goes. If the fume from the nozzle directly contacts the human body, cells may be destroyed and blood poisoning may be caused.

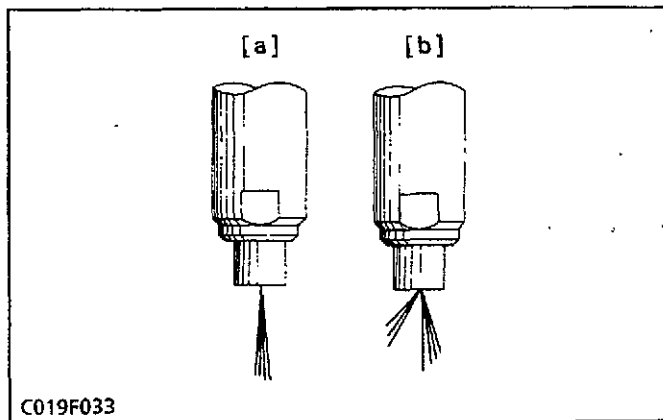
**Nozzle Injection Pressure**

1. Set the injection nozzle to the nozzle tester.
2. Slowly move the tester handle to measure the pressure at which fuel begins jetting out from the nozzle.
3. If the measurement is not within the factory specifications, disassemble the injection nozzle, and change adjusting washer (1) until the proper injection pressure is obtained.

**(Reference)**

- Pressure variation with 0.1 mm (0.004 in.) difference of adjusting washer thickness.  
Approx. 10 kgf/cm<sup>2</sup> (981 kPa, 142 psi)

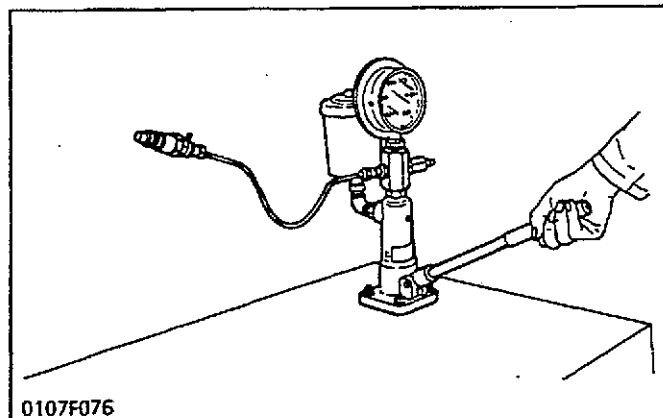
(1) Adjusting Washer

**Nozzle Spraying Condition**

1. Set the injection nozzle to a nozzle tester and check the nozzle spraying condition.
2. If the spraying condition is defective, replace the nozzle piece.

[a] Good

[b] Bad

**Fuel Tightness of Needle Valve Seat**

1. Set the injection nozzle to a nozzle tester. Apply a pressure 130kgf/cm<sup>2</sup> (12.75 MPa, 1849 psi).
2. After keeping the nozzle under this pressure for 10 seconds, check to see if fuel leaks from the nozzle.
3. If fuel should leak, replace the nozzle piece.

## [2] INJECTEURS

### ⚠ ATTENTION

- Vérifier la pression et l'état d'injecteur après s'être assuré que personne ne se trouve dans la direction de pulvérisation de carburant. Si le carburant pulvérisé en provenance de l'injecteur vient directement en contact avec le corps humain, les cellules risquent d'être détruites, provoquant une intoxication de sang.

### Tarage d'injection

1. Fixer l'injecteur sur la pompe à tarer.
2. Déplacer la manette de la pompe à tarer pour mesurer la pression à laquelle le carburant commence à gicler de l'injecteur.
3. Si la valeur mesurée n'est pas comprise dans la gamme de valeurs de référence, démonter l'injecteur et remplacer la rondelle de réglage (1) jusqu'à obtenir le tarage d'injection appropriée.

### (Référence)

- Variation de pression avec 0,1 mm de différence d'épaisseur de rondelle de réglage.  
Environ 10 kgf/cm<sup>2</sup> (981 kPa, 9,81 bar)

(1) Rondelle de réglage

### Pulvérisation par l'injecteur

1. Mettre l'injecteur sur une pompe à tarer pour injecteurs et vérifier la pulvérisation.
2. Si la pulvérisation est mauvaise, remplacer la pièce de l'injecteur.

[a] Correct  
[b] Incorrect

### Étanchéité au carburant du siège d'aiguille

1. Fixer l'injecteur sur la pompe à tarer.  
Appliquer une pression de 130 kgf/cm<sup>2</sup> (12,75 MPa, 127,5 bar).
2. Après avoir gardé l'injecteur sous cette pression pendant 10 secondes, vérifier s'il y a des fuites du trou d'injecteur.
3. S'il y a une fuite de carburant, remplacer l'injecteur.

## [2] EINSPRITZDÜSE

### ⚠ ACHTUNG

- Zuerst sicherstellen, daß sich keine Personen in der Spritzstrahlrichtung befinden und dann den Düsen einspritzdruck und -zustand überprüfen. Kommt ein Spritzstrahl aus der Düse mit einem Menschenkörper in Berührung, könnte eine Zellenzerstörung oder eine Blutvergiftung verursacht werden.

### Kraftstoff-Einspritzdruck

1. Die Einspritzdüse an das Düsenprüfgerät anschließen.
2. Den Testgeräthandgriff langsam bewegen, um den Druck messen bei welchem Kraftstoff aus der Düse herauszuspritzen beginnt.
3. Liegt die Messung nicht innerhalb die Werkdaten liegt, die Einspritzdüse zerlegen und die Einstellscheibe (1) wechseln, bis der richtige Druck erhalten wird.

### (Referenz)

- Druckänderung mit einem Unterschied von 0,1 mm in der Einstellscheibendicke.  
ca. 10kp/cm<sup>2</sup> (981 kPa, 9,81 bar)

(1) Einstellscheibe

### Sprühleistung der Düse

1. Die Düse an ein Düsenprüfgerät anschließen und die Sprühleistung der Düse prüfen.
2. Wenn diese nicht einwandfrei ist, das Düsenteil austauschen.

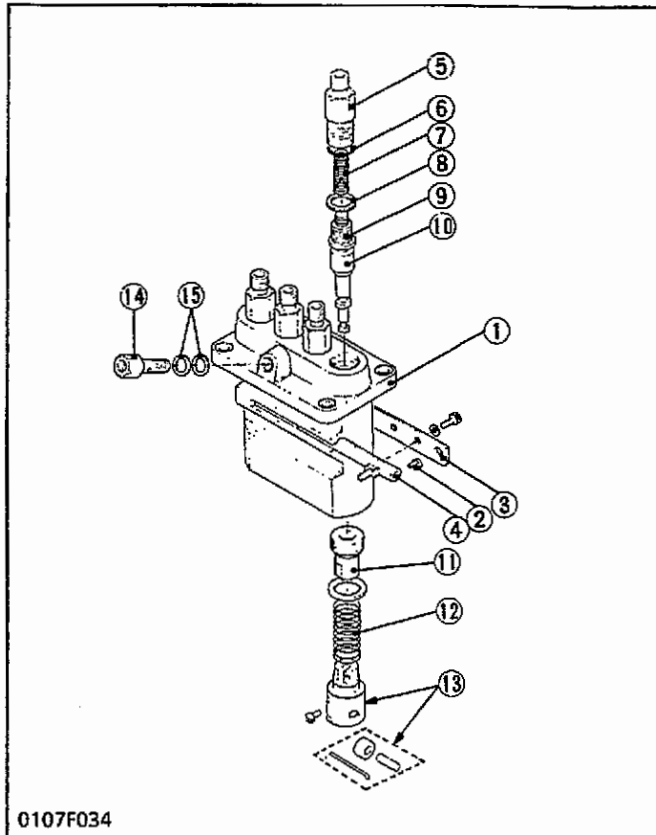
[a] Gut  
[b] Schlecht

### Kraftstoffdichtigkeit des Düsenventilsitzes

1. Die Einspritzdüse an das Düsenprüfgerät anschließen.  
Einen Druck von 130 kp/cm<sup>2</sup> (12,75 MPa, 127,5 bar) aufbringen.
2. Die Düse 10 Sekunden unter diesem Druck halten und prüfen, ob Kraftstoff am Düsenventilsitz austritt.
3. Ist dies der Fall, das Düsenteil austauschen.

# DISASSEMBLING AND ASSEMBLING

## [1] INJECTION PUMP

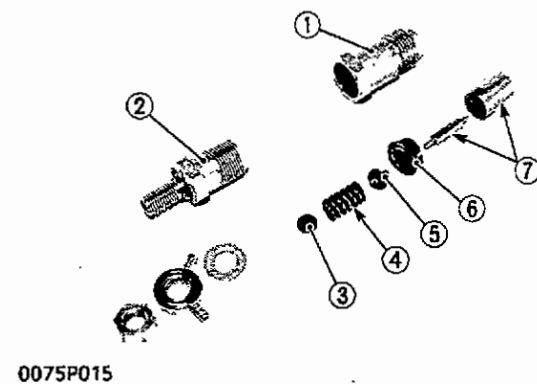


### ■ IMPORTANT

- If replacing the pump element, the amount of fuel injection should be adjusted on a specified bench.

- (1) Pump Body
- (2) Adjust Plate
- (3) Plate
- (4) Control Rack
- (5) Delivery Valve Holder
- (6) O-ring
- (7) Delivery Valve Spring
- (8) Gasket
- (9) Delivery Valve
- (10) Pump Element
- (11) Control Sleeve
- (12) Plunger Spring
- (13) Tappet
- (14) Hollow Screw
- (15) Gasket

## [2] INJECTION NOZZLE



### Nozzle Holder

1. Secure the nozzle retaining nut (1) with a vise.
2. Remove the nozzle holder (2), and take out parts inside.

### (When reassembling)

- Assemble the nozzle in clean fuel oil.
- Install the push rod (5), noting its direction.
- After assembling the nozzle, be sure to adjust the fuel injection pressure.

- (1) Nozzle Retaining Nut
- (2) Nozzle Holder
- (3) Adjusting Washer
- (4) Nozzle Spring
- (5) Push Rod
- (6) Distance Piece
- (7) Nozzle Piece

## DEMONTAGE ET MONTAGE

### [1] POMPE D'INJECTION

#### ■ IMPORTANT

- Lors du remplacement de l'élément de pompe, la quantité d'injection de carburant doit être ajustée sur un banc spécifié.

- (1) Corps de pompe
- (2) Plaque de réglage
- (3) Plaque
- (4) Tige de réglage
- (5) Tubulure de refoulement
- (6) Joint torique
- (7) Ressort de clapet de refoulement
- (8) Joint
- (9) Clapet de refoulement
- (10) Élément de pompe
- (11) Douille de réglage
- (12) Ressort de piston
- (13) Poussoir
- (14) Vis creuse
- (15) Joint

### [2] INJECTEURS

#### Porte-injecteur

1. Fixer l'écrou de retenue de l'injecteur (1) dans un étau.
2. Enlever le porte-injecteur (2) et retirer les pièces intérieures.

#### **(Pour le remontage)**

- Monter l'injecteur dans de l'huile fluide propre.
- Noter le sens de la tige de poussoir (5), avant de l'installer.
- Après le montage de l'injecteur, veiller à régler la pression d'injection.

- (1) Ecrou de retenue d'injecteur
- (2) Porte-injecteur
- (3) Rondelle de réglage
- (4) Ressort d'injecteur
- (5) Tige de poussoir
- (6) Pièce d'écartement
- (7) Pièce de l'injecteur

## AUS- UND EINBAU

### [1] EINSPRITZPUMPE

#### ■ WICHTIG

- Bei dem Auswechseln des Pumpenelementes sollte die Kraftstoffeinspritzmenge auf einem vorgeschriebenen Prüfstand eingestellt werden.

- (1) Pumpengehäuse
- (2) Regulierplatte
- (3) Platte
- (4) Regelstange
- (5) Druckventilhälter
- (6) O-Ring
- (7) Druckventilfeder
- (8) Dichtung
- (9) Druckventil
- (10) Pumpenelemente
- (11) Regelhülse
- (12) Kolbenfeder
- (13) Stößel
- (14) Hohle Schraube
- (15) Dichtung

### [2] EINSPRITZÜSE

#### Düsenhalter

1. Die Düsen-Sicherungsmutter (1) mit einem Schraubstock sichern.
2. Den Düsenhalter (2) entfernen und die Innenteile herausnehmen.

#### **(Beim Wiedereinbau)**

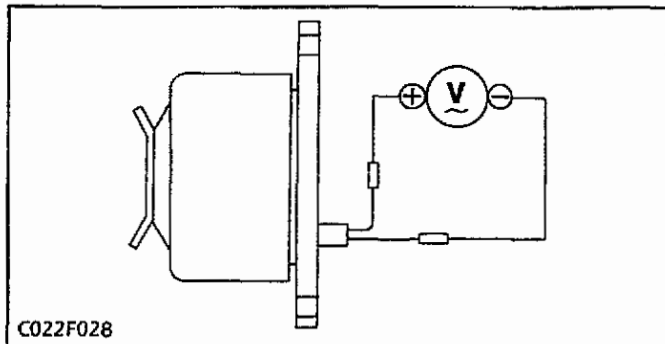
- Die Düse in sauberem Leichtöl zusammensetzen.
- Die Stößelstange (5) unter Beachtung der Richtung montieren.
- Nach erfolgtem Einbau der Düse muß der Kraftstoff- Einspritzdruck eingestellt werden.

- (1) Düsen-Sicherungsmutter
- (2) Düsenhalter
- (3) Regulierring
- (4) Düsenfeder
- (5) Stößelstange
- (6) Abstandstück
- (7) Düsenteil

# 5 ELECTRICAL SYSTEM

## CHECKING

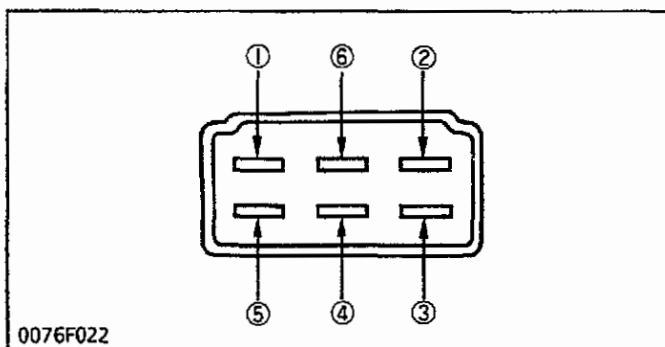
### [1] ALTERNATOR AND REGULATOR



C022F028

#### Alternator's No-load Voltage

1. Disconnect the lead wire from the alternator.
2. Start the engine and measure the voltage generated by the alternator.



0076F022

- |            |           |             |
|------------|-----------|-------------|
| (1) Blue   | (1) Bleu  | (1) Blau    |
| (2) Blue   | (2) Bleu  | (2) Blau    |
| (3) Red    | (3) Rouge | (3) Rot     |
| (4) Yellow | (4) Jaune | (4) Gelb    |
| (5) Green  | (5) Vert  | (5) Grün    |
| (6) Black  | (6) Noir  | (6) Schwarz |

#### Continuity across Regulator's Terminals

1. Remove the regulator coupler.
2. Check with a tester whether the regulator is in optimum condition or not.

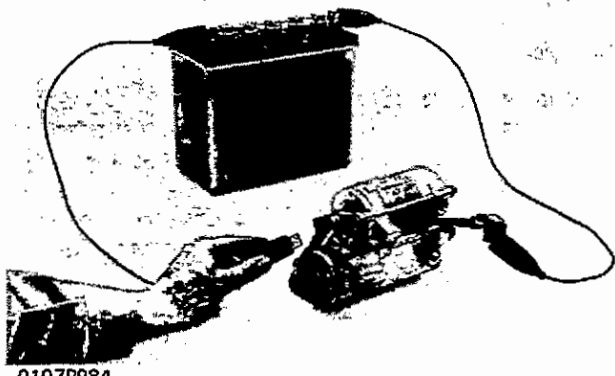
#### NOTE

- Try to use a high-resistance tester as far as possible.
- The judgment should be as below table. "ON" if the indicator moves, otherwise "OFF".

#### Check Table

Tester + terminal	Tester -terminal	Cord colors					
		blue	blue	red	yellow	green	black
Cord colors	blue		OFF	ON	OFF	OFF	OFF
	blue	OFF		ON	OFF	OFF	OFF
	red	OFF	OFF		OFF	OFF	OFF
	yellow	ON	ON	ON		OFF	ON
	green	OFF	OFF	OFF	OFF		OFF
	black	OFF	OFF	OFF	OFF	OFF	

### [2] STARTER



0107P084

#### Motor Test

1. Disconnect the connecting lead from the "C" terminal of the starter and connect a jumper lead from the connecting lead to the positive battery terminal.
2. Connect a jumper lead momentarily between the starter body and the negative battery terminal.
3. If the motor does not run, check the motor.

# 5 SYSTEME ELECTRIQUE

## VERIFICATION

### [1] ALTERNATEUR ET REGULATEUR

#### Tension de l'alternateur à vide

1. Débrancher le fil venant de l'alternateur.
2. Mettre le moteur en marche et mesurer la tension produite par l'alternateur.

#### Continuité aux bornes du régulateur

1. Enlever le coupleur du régulateur.
2. Vérifier avec un ohmmètre si le régulateur est dans son état optimum ou non.

#### ■ NOTA

- Essayer autant que possible d'utiliser un mégohmmètre.
  - Le jugement est donné par les indications du tableau ci-dessous.
- "ON" si l'aiguille bouge, autrement "OFF".

#### ■ Table de vérification

Borne + de l'appareil Borne - de l'appareil		Couleur de fils					
		Bleu	Bleu	Rouge	Jaune	Vert	Noir
Couleur de fils	Bleu	OFF	ON	OFF	OFF	OFF	OFF
	Bleu	OFF	ON	OFF	OFF	OFF	OFF
	Rouge	OFF	OFF	ON	OFF	OFF	OFF
	Jaune	ON	ON	ON	OFF	ON	ON
	Vert	OFF	OFF	OFF	OFF	OFF	OFF
	Noir	OFF	OFF	OFF	OFF	OFF	OFF

### [2] DEMARREUR

#### Essai de moteur

1. Débrancher le câble de la borne "C" du démarreur et connecter un fil volant entre le câble et la borne positive de la batterie.
2. Connecter provisoirement un fil volant entre le corps du démarreur et la borne négative de la batterie.
3. Si le moteur ne tourne pas, le vérifier.

# 5 ELEKTRISCHES-SYSTEM

## ÜBERPRÜFUNG

### [1] WECHSELSTROM-LICHTMASCHINE UND REGLER

#### Leerlaufspannung der Lichtmaschine

1. Den Verbindungsdraht von der Lichtmaschine lösen.
2. Den Motor anlassen und die durch die Lichtmaschine erzeugte Spannung messen.

#### Stromfluß an den REglerklemmen

1. Die Steckverbindung des Reglers entfernen.
2. Mit Hilfe eines Prüfgerätes prüfen, ob der Regler einwandfrei arbeitet.

#### ■ ANMERKUNG

- Soweit möglich, ein Prüfgerät mit hohem Widerstandsmesser benutzen.
  - Die Beurteilung sollte anhand der nachstehenden Tabelle erfolgen.
- "EIN", wenn sich die Anzeige bewegt; anderenfalls "AUS".

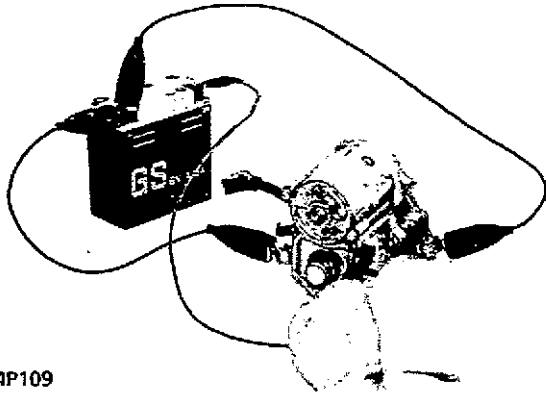
#### ■ Prüf-Tabelle

Prüfgerät + Klemme Prüfgerät -Klemme		Farbe der Leitung					
		blau	blau	rot	gelb	grün	schwarz
Farbe der Leitung	blau	OFF	ON	OFF	OFF	OFF	OFF
	blau	OFF	ON	OFF	OFF	OFF	OFF
	rot	OFF	OFF	ON	OFF	OFF	OFF
	gelb	ON	ON	ON	OFF	ON	ON
	grün	OFF	OFF	OFF	OFF	OFF	OFF
	schwarz	OFF	OFF	OFF	OFF	OFF	OFF

### [2] ANLASSER

#### Motorprüfung

1. Die Verbindungsleitung an der Klemme "C" des Anlassers lösen und einen Schaltdraht zwischen der Verbindungsleitung und der Plus-Klemme der Batterie anschließen.
2. Für kurze Zeit einen Schaltdraht zwischen dem Anlassergehäuse und der Minus-Klemme der Batterie anschließen.
3. Wenn der Motor nicht läuft, überprüfen.



0104P109

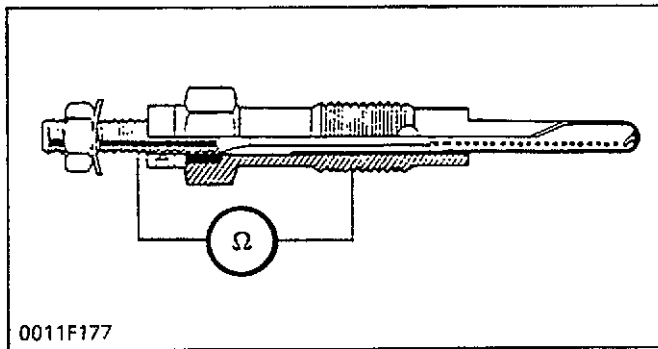
### Magnet Switch

1. Disconnect the connecting lead from the "C" terminal of the starter.
2. Connect jumper leads from the negative terminal of 6V battery to the body and "C" terminal of the magnet switch.
3. The pinion gear should pop out, when a jumper lead is connected between the positive terminal of the battery to the "S" terminal of the magnet switch.
4. The pinion gear should stay out without the jumper from the negative terminal to the "C" terminal.

### ■ NOTE

- Each test should be carried out for a short time, about 3 to 5 seconds.

## [3] GLOW PLUG



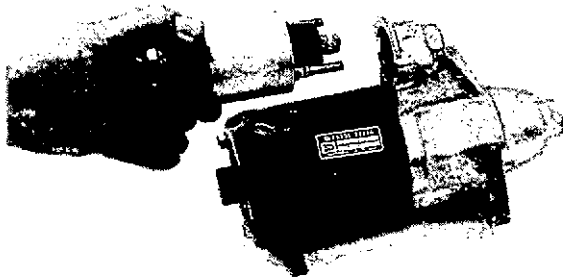
0011F177

### Glow Plug

1. Disconnect the leads from the glow plugs.
2. Measure the resistance with an circuit tester across the glow plug terminal and the housing.
3. If 0 ohm is indicated, the screw at the tip of the glow plug and the housing are short-circuited. If the reference value is not indicated, the glow plug is faulty, replace the glow plug.

## DISASSEMBLING AND ASSEMBLING

### [1] STARTER



0302P152

### Magnet Switch

1. Disconnect the connecting lead.
2. Remove the mounting nuts.
3. Remove the magnet switch by sliding it up so that it is disconnected from the drive lever.

**Commutateur magnétique**

1. Débrancher le câble de la borne "C" du démarreur.
2. Brancher des fils volants entre la borne négative de la batterie de 6V et le corps du démarreur et la borne "C" du commutateur magnétique.
3. Le pignon d'attaque doit saillir en-dehors lorsque l'on branche un fil volant entre la borne positive de la batterie et la borne "S" du commutateur magnétique.
4. Le pignon d'attaque doit rester sorti sans le fil volant venant de la borne négative et sorti allant à la borne "C".

**■ NOTA**

- Chaque essai doit être effectué rapidement : ne pas dépasser de 3 à 5 secondes.

**[3] BOUGIE DE PRECHAUFFAGE****Bougie de préchauffage**

1. Déconnecter les conducteurs des bougies de préchauffage.
2. Mesurer la résistance en branchant un ohmmètre à la borne de la bougie de préchauffage et au corps.
3. Si l'ohmmètre indique 0 ohm, la vis à l'extrémité de la bougie de préchauffage et le corps sont court-circuités.

**DEMONTAGE ET MONTAGE****[1] DEMARREUR****Contacteur magnétique**

1. Débrancher le fil de connexion.
2. Retirer l'écrou de montage.
3. Déposer le contacteur magnétique en le faisant glisser vers le haut de manière à le désaccoupler du levier d'entraînement.

**Magnetschalter**

1. Die Verbindungsleitung an der Klemme "C" des Anlassers lösen.
2. Die Schaltdrähte zwischen der Minus-Klemme der Batterie 6V und dem Gehäuse und der Klemme "C" des Magnetschalters anschließen.
3. Das Zahngetriebe sollte ausgerückt sein, wenn einen Schaltdraht zwischen der Plus-Klemme der Batterie und der Klemme "S" des Magnetschalters angeschlossen wird.
4. Das Schaltgetriebe sollte ohne den Schaltdraht zwischen der Minus-Klemme und der Klemme "C" ausgelassen werden.

**■ ANMERKUNG**

- Jede Prüfung sollte über eine kurze Zeitdauer von 3 bis 5 Sekunden durchgeführt werden.

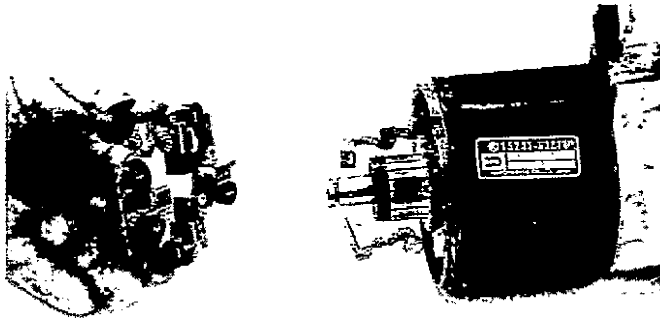
**[3] GLÜHKERZE****Glühkerze**

1. Die Leitungen von den Glühkerzen trennen.
2. Mit einem Ohmmeter den Widerstand über der Glühkerzen-Anschlußklemme und dem Gehäuse messen.
3. Wird 0 Ohm angezeigt bedeutet es, daß die Schraube auf der Glühkerzenspitze mit dem Gehäuse kurzgeschlossen ist.

**AUS- UND EINBAU****[1] ANLASSER****Magnetschalter**

1. Das Anschlußkabel abklemmen.
2. Die Haltemutter abschrauben.
3. Den Magnetschalter nach oben hin abziehen, so daß er aus dem Ausrückhebel gleitet.





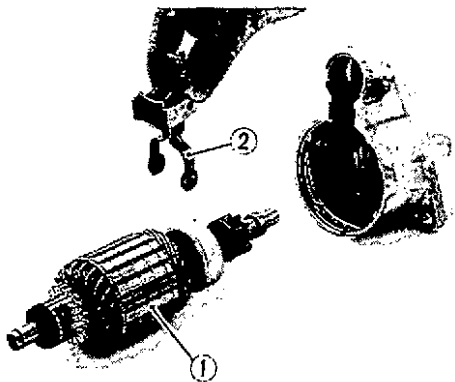
0302P155

**Brush Holder**

1. Draw out the brush from the hold while holding the spring up.
2. Remove the brush holder.

**(When reassembling)**

- When replacing the spring, install it by referring to the figure.
- Do not contact the brush's positive lead with the body.



0302P157

**Armature**

1. Draw out the armature (1) with the drive lever (2).

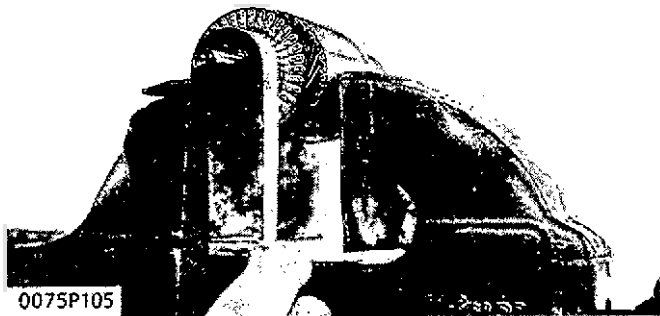
**(When reassembling)**

- Install the drive lever, noting its direction.

- (1) Armature
- (2) Drive Lever

**SERVICING**

**[1] STARTER**

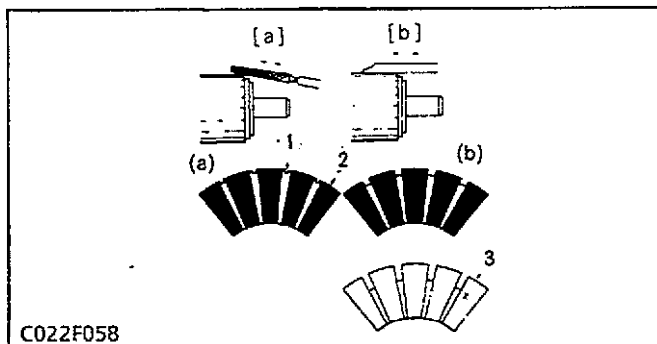


0075P105

**Commutator and Mica**

1. Check the contact face of the commutator for wear, and grind the commutator with sand paper if it is slightly worn.
2. Measure the commutator O.D. at several points.
3. If the difference of the O.D.'s exceeds the allowable limit, correct the commutator on a lathe to the factory specification.
4. If the minimum O.D. is less than the allowable limit, replace the armature.
5. Measure the mica undercut.
6. If the undercut is less than the allowable limit, correct with a saw blade and chamfer the segment edges.

- [a] Bad
- [b] Good
- (1) Mica
- (2) Segment
- (3) Depth of Mica



C022F058

**Porte-balais**

1. Extraire le balai du porte-balais en soulevant le ressort.
2. Déposer le porte-balais.

**(Au remontage)**

- Se reporter à la figure pour remettre le ressort en place.
- Ne pas mettre le fil positif du balai en contact avec le corps.

**Induit**

1. Extraire l'induit (1) solidaire du levier d'entraînement (2).

**(Au remontage)**

- Mettre le levier d'entraînement en place en tenant compte de son sens.

- (1) Induit  
(2) Levier d'entraînement

**Bürstenhalter**

1. Die Feder nach oben ziehen und die Bürste vom Halter ziehen.
2. Den Bürstenhalter abnehmen.

**(Beim Wiedereinbau)**

- Beim Austauschen der Feder den Einbau entsprechend der Abbildung vornehmen.
- Den Plus-Anschluß der Bürste nicht mit dem Gehäuse in Kontakt bringen.

**Anker**

1. Den Anker (1) mit dem Ausrückhebel (2) herausziehen.

**(Beim Wiedereinbau)**

- Beim Einbau auf Ausrichtung des Ausrückhebels achten.

- (1) Anker  
(2) Ausrückhebel

## ENTRETIEN

### [1] DEMARREUR

**Commutateur**

1. Vérifier la surface de contact du commutateur qui peut être usée; rectifier le commutateur avec de la toile émeri s'il est légèrement usé.
2. Mesurer en plusieurs points le diamètre extérieur du commutateur.
3. Si les différences de diamètre extérieur dépassent la tolérance, rectifier le commutateur au tour pour le mettre à la valeur de référence.
4. Si le diamètre extérieur minimum est inférieur à la limite de service, remplacer le commutateur.
5. Mesurer la profondeur d'entaille du mica.
6. Si la profondeur d'entaille est inférieure à la limite de service, rectifier avec une lame de scie et chanfreiner les bords des segments.

- [a] Mauvais  
[b] Bon

- (1) Mica  
(2) Segment  
(3) Profondeur de mica

## WARTUNG

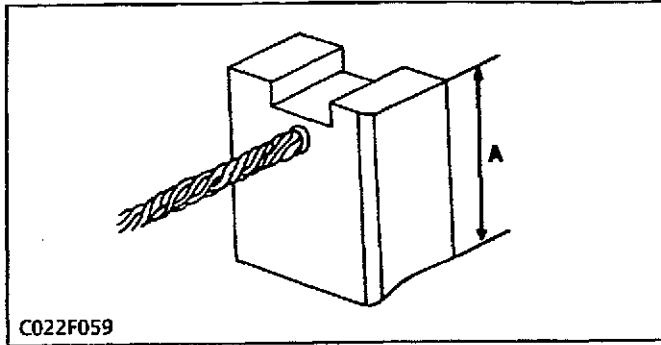
### [1] ANLASSER

**Kommutator und Glimmer**

1. Die Berührungsfläche des Kommutators auf Abnutzung prüfen und bei geringer Abnutzung den Kommutator mit Sandpapier abschleifen.
2. Den Außendurchmesser des Kommutators an mehreren Punkten messen.
3. Wenn der Unterschied der Außendurchmesser den zulässigen Grenzwert überschreitet, den Kommutator auf einer Drehbank entsprechend den Werkdaten nachbessern.
4. Wenn der Mindestaußendurchmesser niedriger als der zulässige Grenzwert ist, den Kommutator austauschen.
5. Die Glimmer-Unterschneidung messen.
6. Wenn die Unterschneidung unter dem zulässigen Grenzwert liegt, mit einem Sägeblatt nachbessern und die abschnittkanten abschrägen.

- [a] Schlecht  
[b] Gut

- (1) Glimmer  
(2) Abschnitt  
(3) Glimmertiefe



### Brush Wear

1. Measure the brush length A.
2. If the length is less than the allowable limit, replace the brush.

**Usure des balais**

1. Mesurer la longueur A des balais.
2. Si la longueur est inférieure à la limite de servicee, remplacer les balais.

**Abnutzung der Bürsten**

1. Die Bürstenlänge A messen.
2. Wenn die Länge unter dem zulässigen Grenzwert liegt, die Bürste austauschen.



**KUBOTA Corporation**

OVERSEAS SERVICE SECTION, FARM & INDUSTRIAL MACHINERY DIVISION  
2-47, SHIKITSUHIGASHI 1-CHOME, NANIWA-KU, OSAKA, JAPAN

---

**EDITOR:**

KUBOTA FARM & INDUSTRIAL MACHINERY SERVICE, LTD.

64, ISHIZU-KITAMACHI, SAKAI-CITY, OSAKA, JAPAN

PHONE: 0722-41-1129

FAX: 0722-45-2484

TELEX: 5374337 KBT SK J

9207, J, K, K, efd, 15 (11)  
8804, J, K, K, efd, 02

Code No. 97897-00624  
981-0501

Redistribution or publication of this document  
by any means, is strictly prohibited.