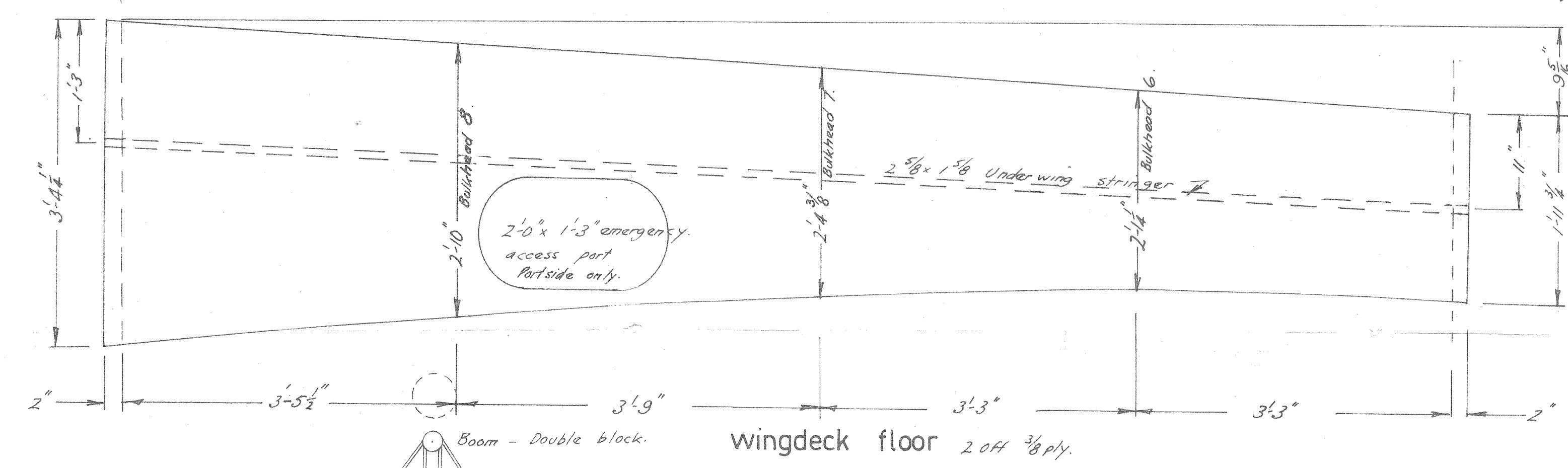
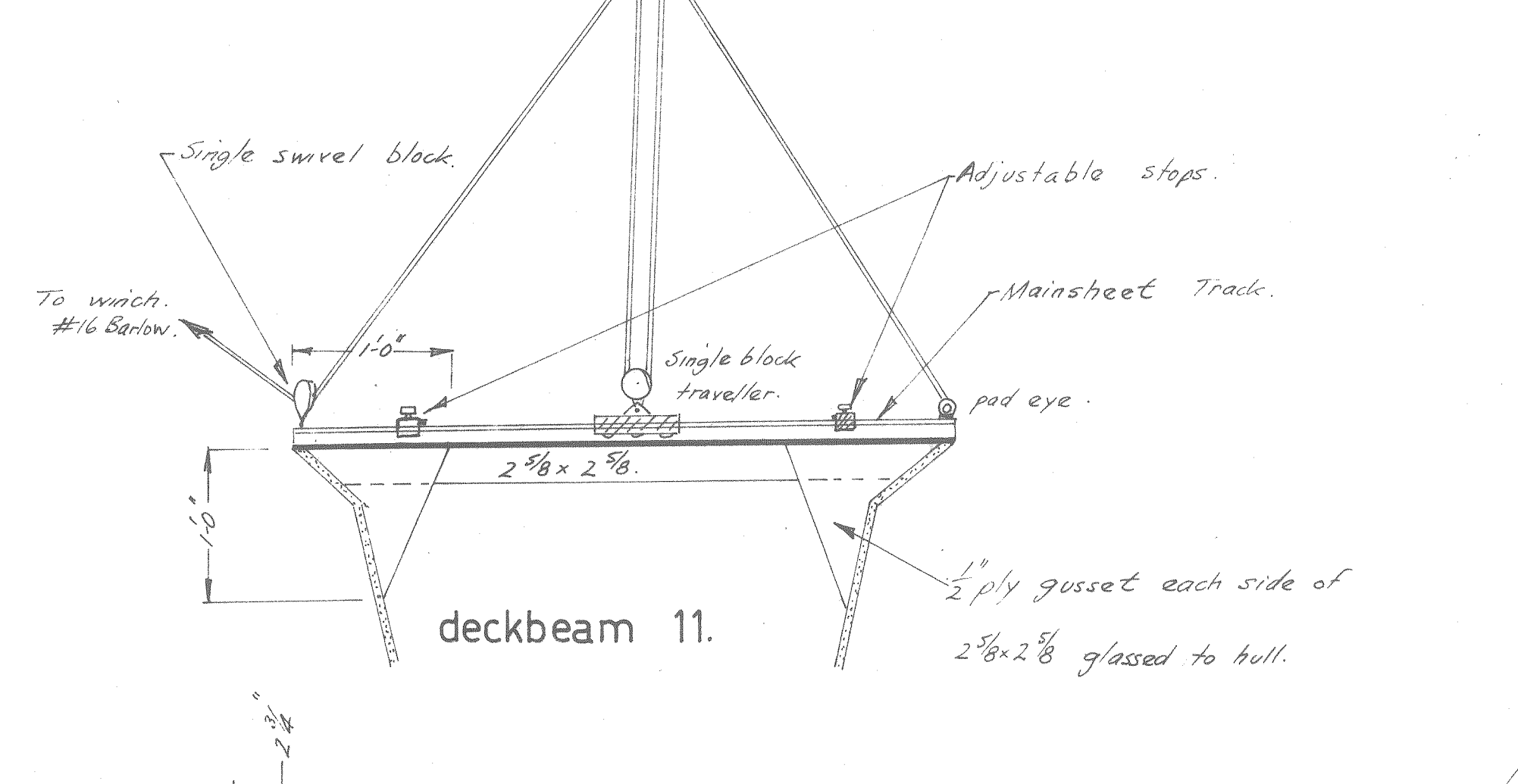


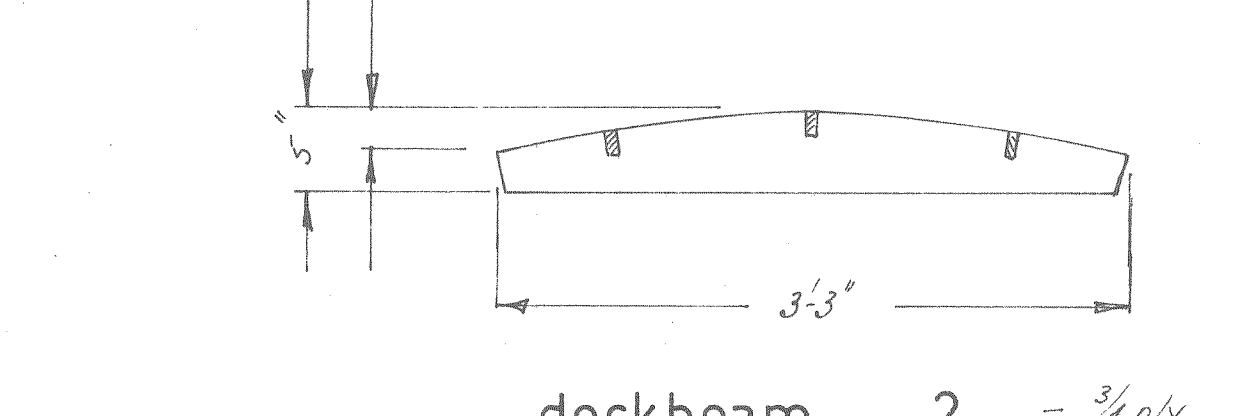
cabin side. 2 off 1/4 ply.



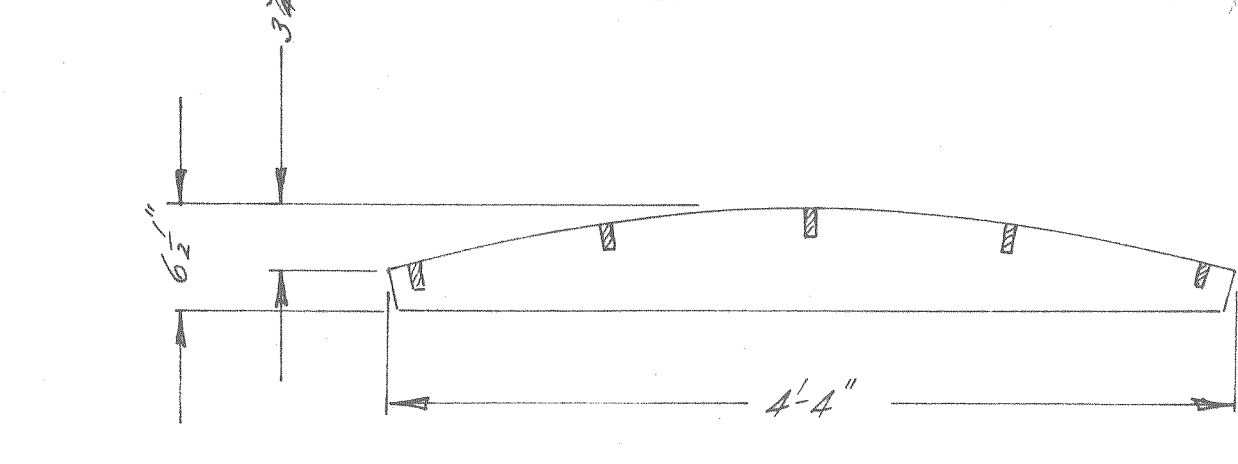
wingdeck floor. 2 off 1/4 ply.



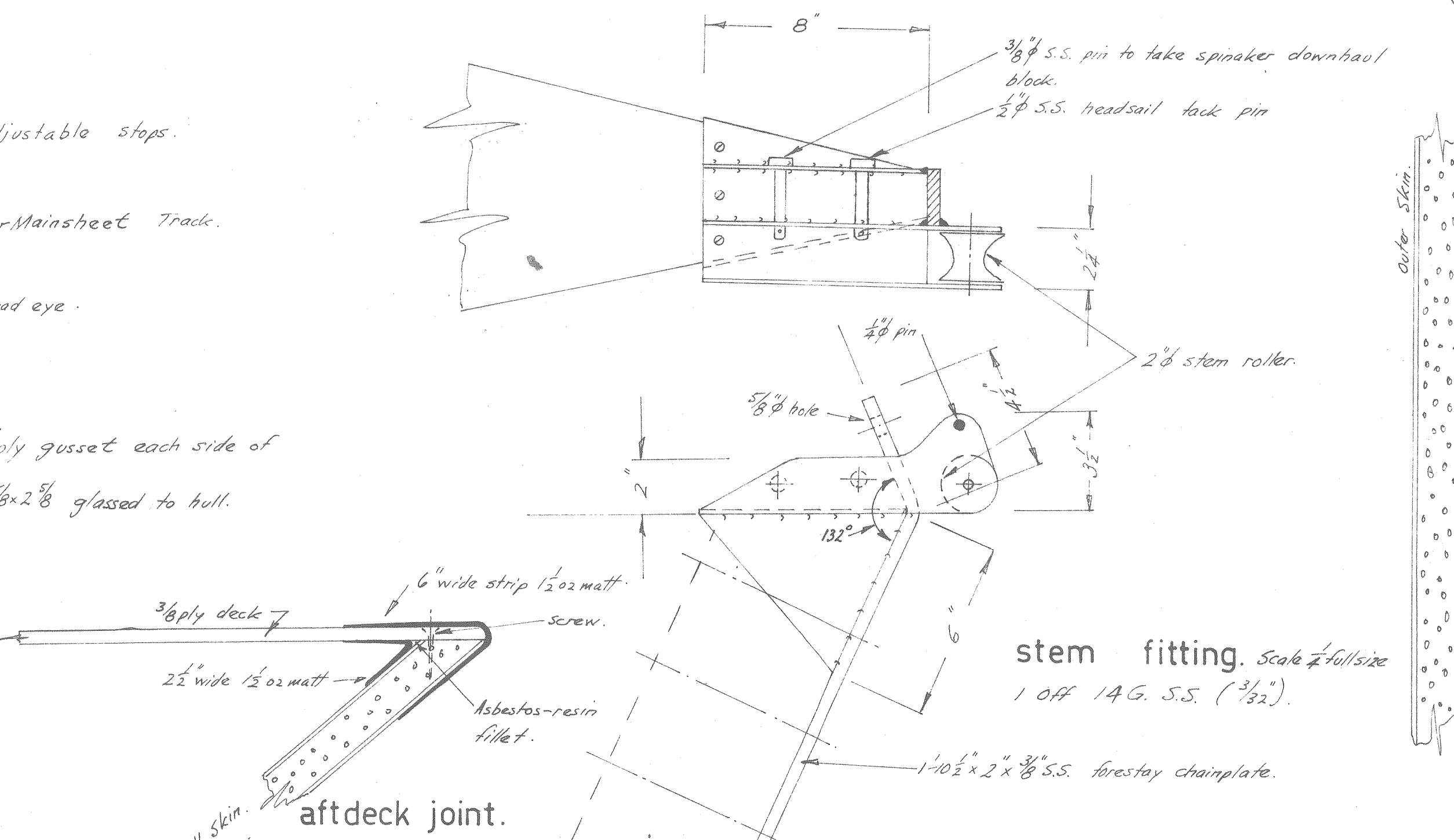
deckbeam 11.



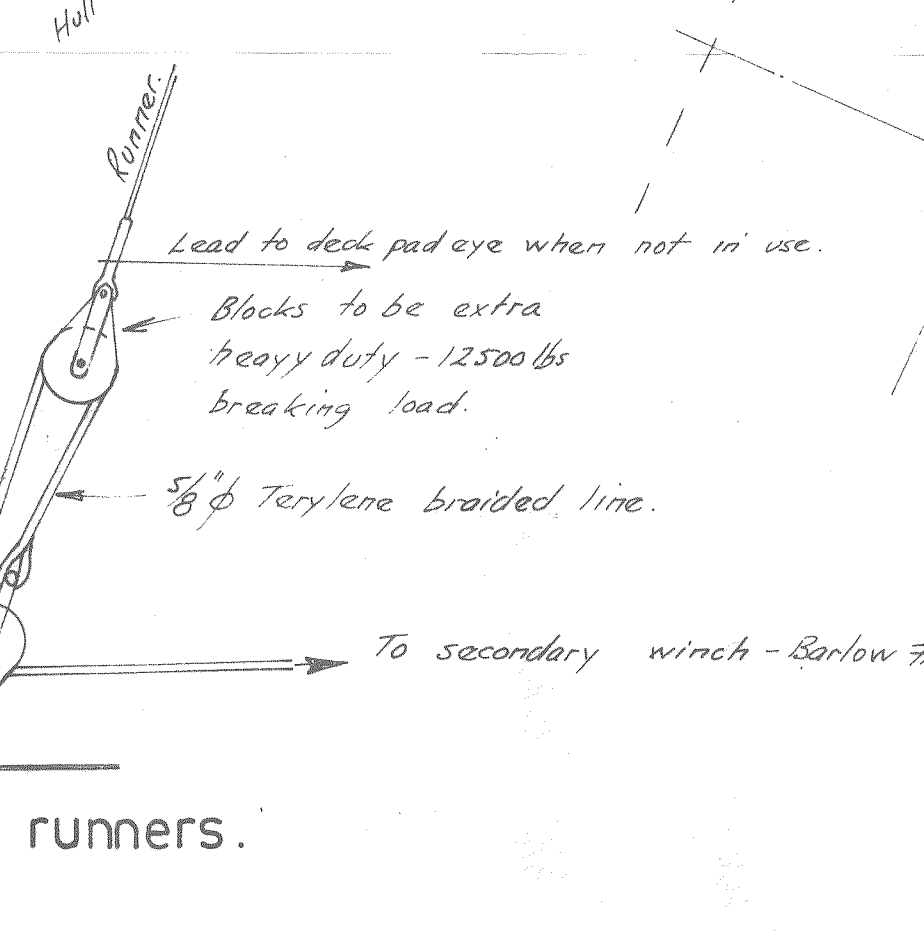
deckbeam 2. - 3/4 ply.



deckbeam 3. 3/4 Ply.



stem fitting. Scale 1/2 full size 1 off 1/4 G. SS. (1/2")



runners.

aft cabin side. - 2 off each 3/4 ply

typical float bulkhead - All 1/2 ply.

float ribs

float bulkheads 4 & 4A - 2 off each 1/4 ply 8 & 8A - 2 off each 3/4 ply.

float transom. 2 off 3/4 ply.

Glass bulkheads to hull using one 4" wide strip 1/2 oz matt & one 3" wide strip of 1/2 oz matt. with one strip 1/2 oz matt 2" wide under bulkhead - otherwise as per main hull bulkhead attachment sheet 3.

Glass these bulkheads in as per sheet 5.

float bulkheads 4 & 4A - 2 off each 1/4 ply 8 & 8A - 2 off each 3/4 ply.

4" wide x 1" polyurethane foam strip cut to 45° bevel on edges & sanded to fillet shape.

2" wide strip of polyurethane foam

Cut slot for deck beam after glassing rib & glass rib into place using 2 layers 1/2 oz matt

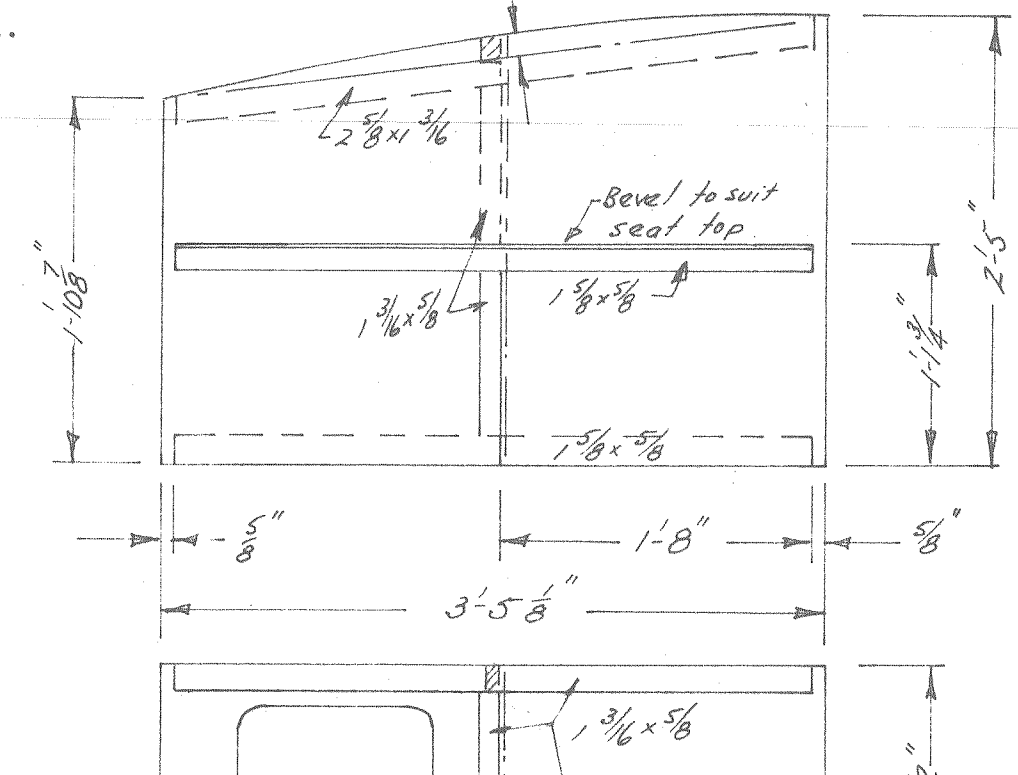
Deck Beam 1/2" thick timber.

Glass with one layer 1/2 oz matt extending 2" along hull & one layer 1/2 oz woven rovings extending 1" along hull.

Note: Where deck beams are glassed against hull gommel without a foam rib use 2 layers 1/2 oz matt plus one layer under and of deck beam.

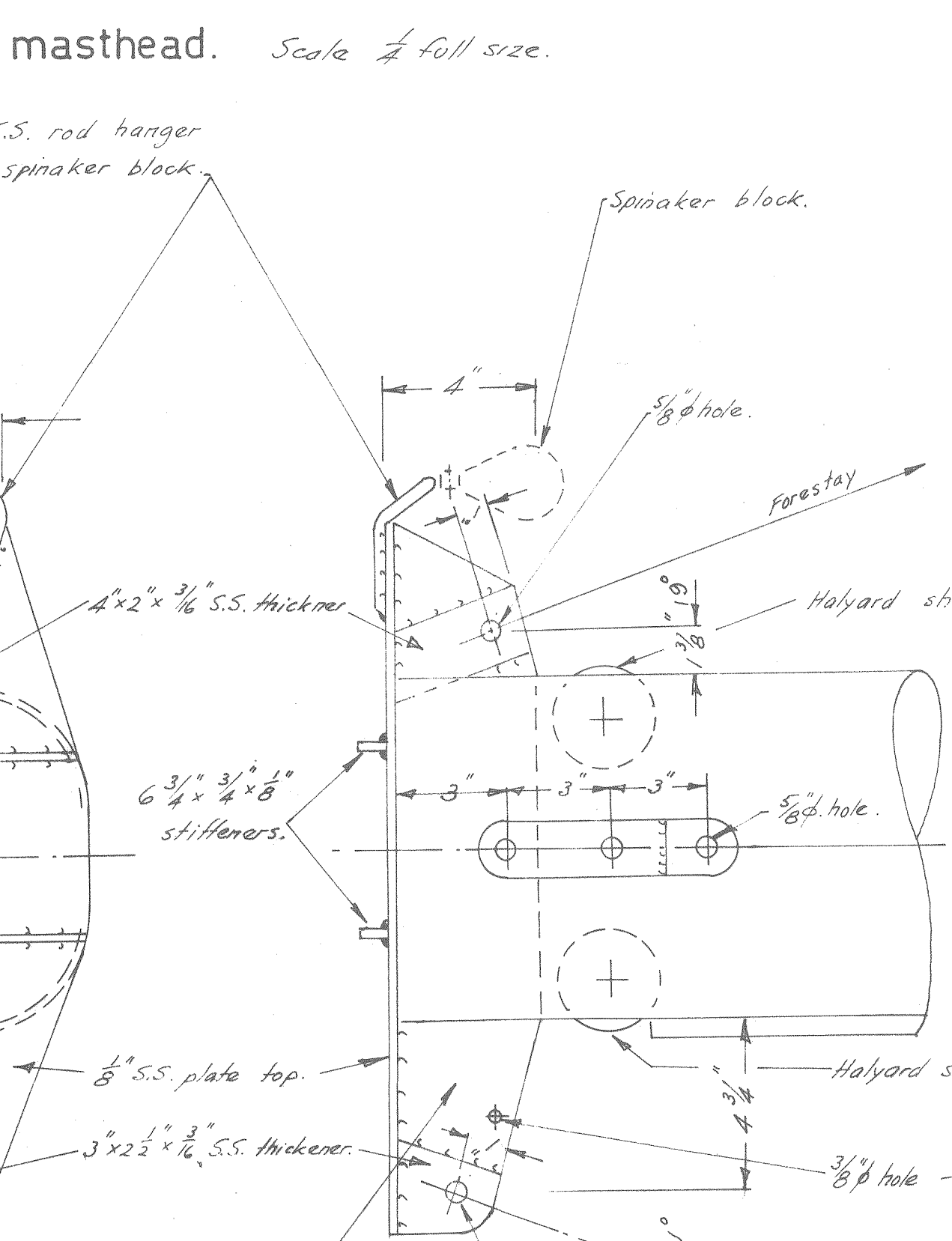
float rib detail.

Scale 1/2 full size.



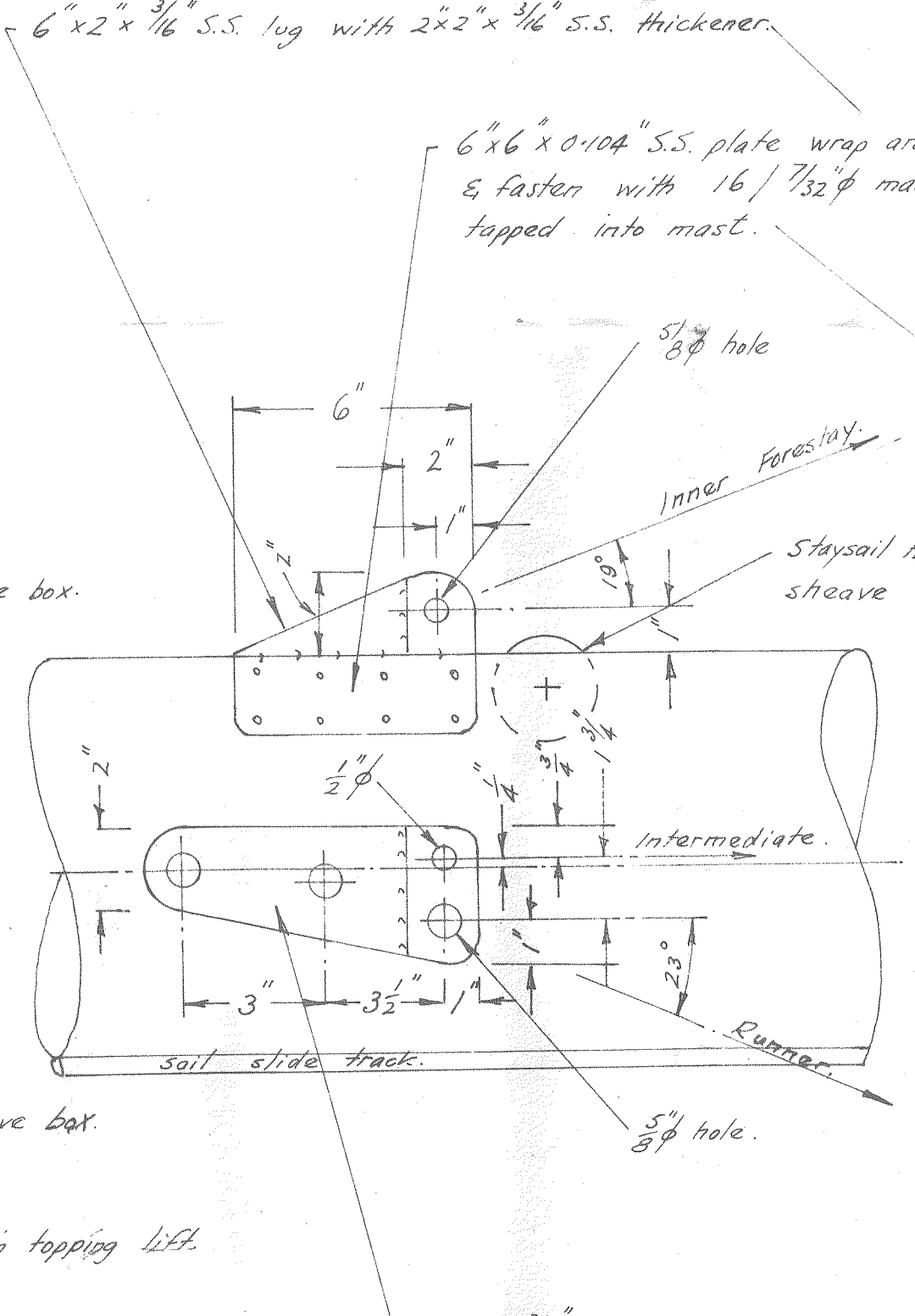
cockpit seat back & front. - 2 off each 3/4 ply

masthead. Scale 1/2 full size.

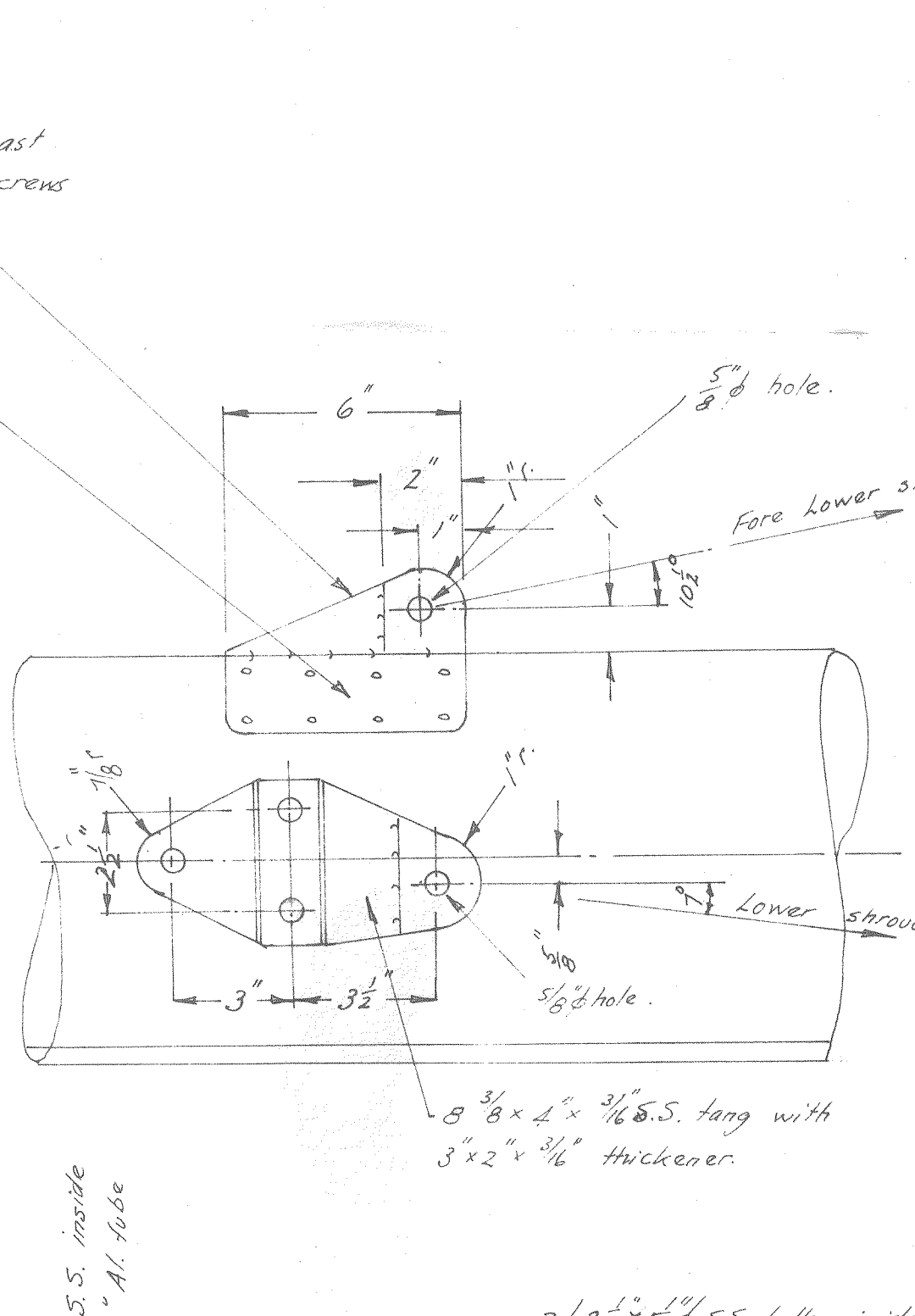


2/1" x 1/2" SS. bolts. 6" x 1/2" x 0.104" Al. tube spacers.

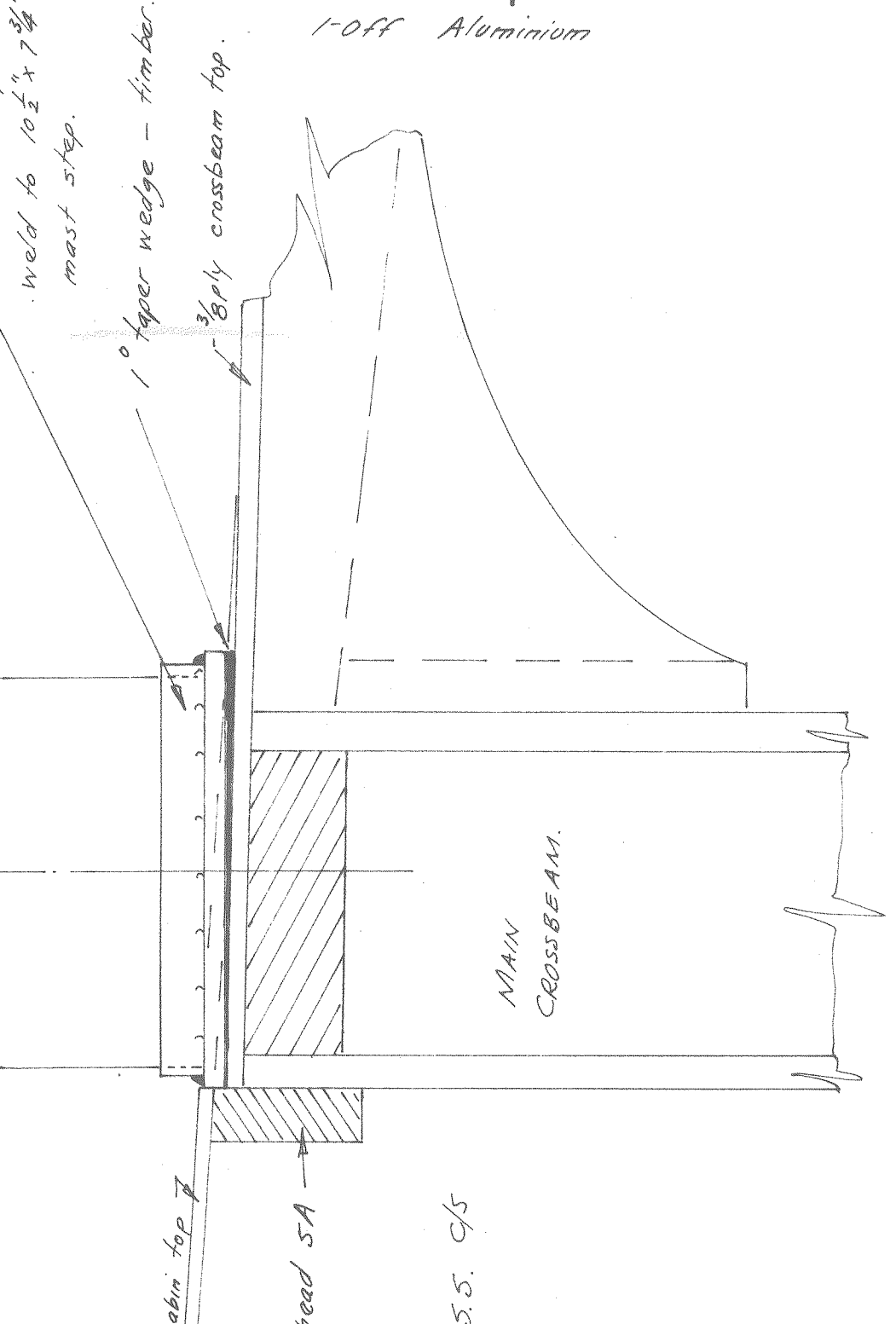
intermediate tangs.



lower tangs.



maststep.



BUCCANEER

40

DESIGN BY LOCK CROWTHER.

sheet 6.

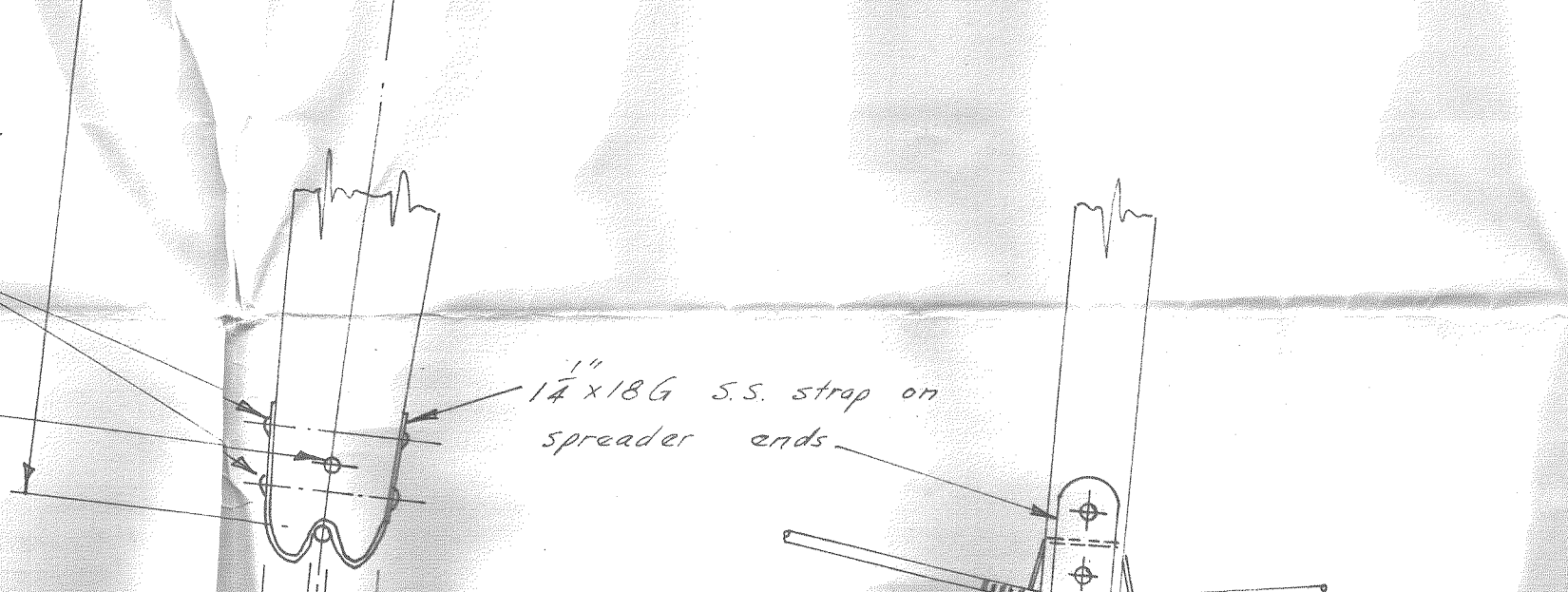
SAIL No. 17
 ONE BOAT ONLY FROM THIS SET OF PLANS
 Copyright Reserved

CROWTHER MULTIHULLS
 P.O. BOX 33 TULLAMORE
 N.S.W. 2074 AUSTRALIA

spreaders.

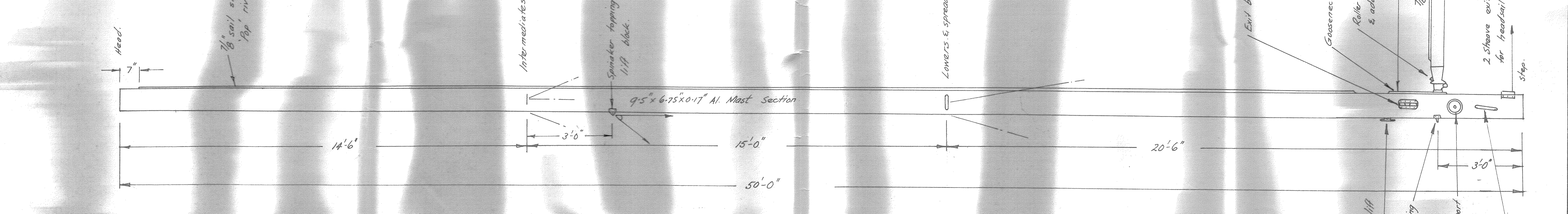
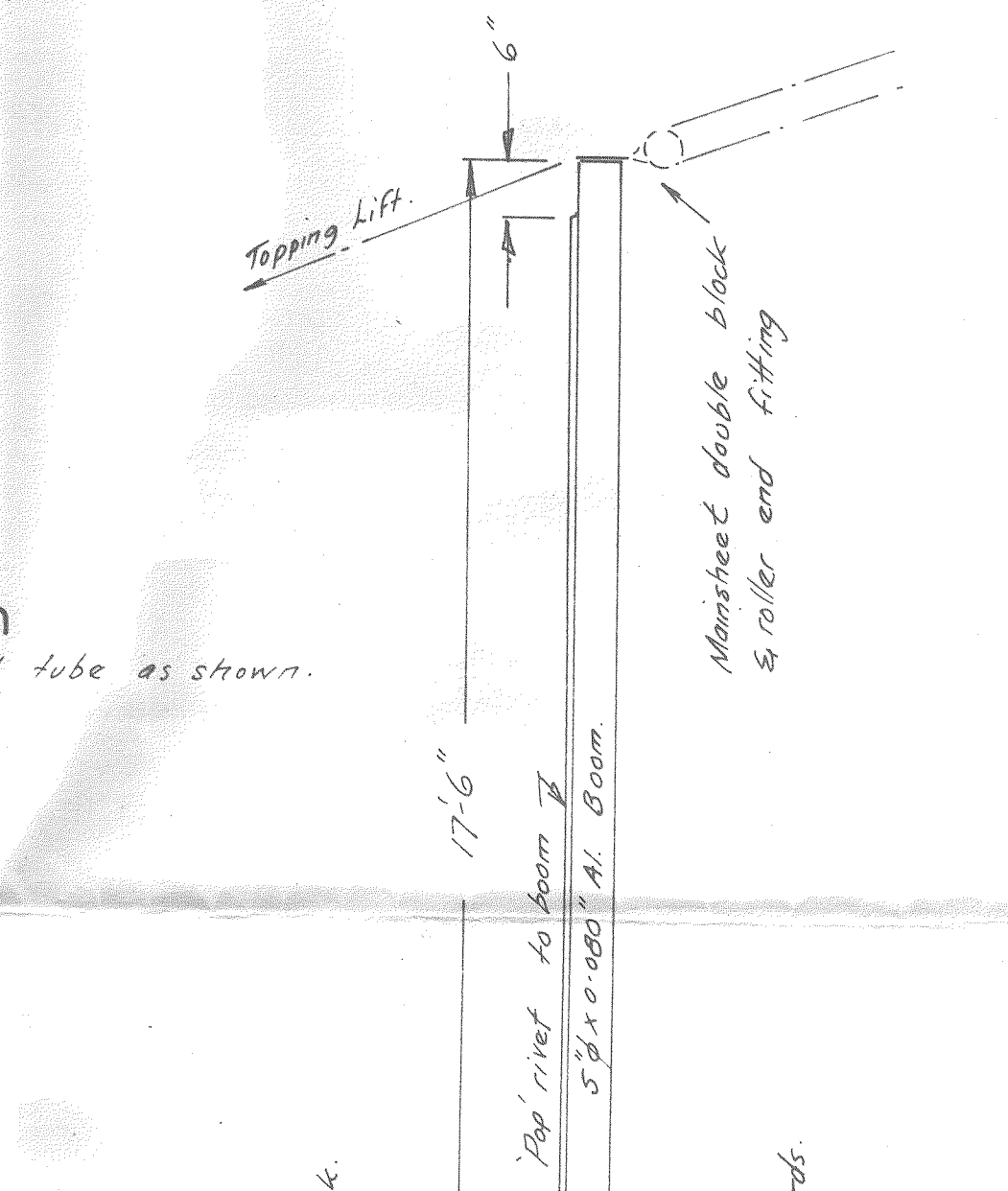
Scale 1/2 full size 2 off in set of dougals (tr. Corcoran Proc)

2 1/2" x 1/2" SS. metal threads. Hole for spreader tie wire. Use size 10 G.S.S.



boom

1 off Al tube as shown.



mast. Scale 1/2 full size. 1 off Al. Mast Section 9.25x6.5x0.21" to 9.5x6.25x0.17". Taper above intermediates optional.