



## Spare parts catalog- Yanmar engines

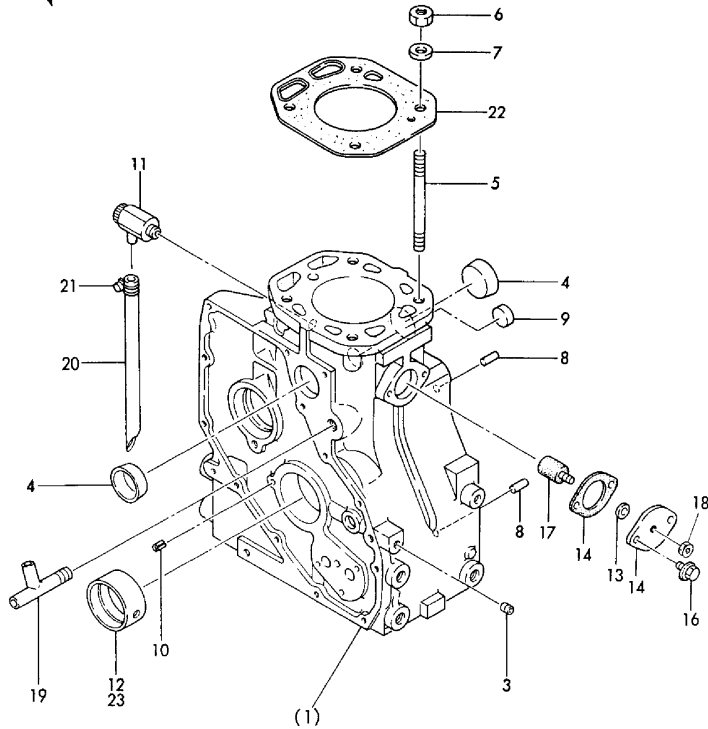
- (A) = 1GM10
- (B) = 1GM10VE
- (C) = 1GM10-B
- (D) = 1GM10C
- (E) = 1GM10L

Fig.1.CYLINDER BLOCK

(A)=1GM10 (D)=1GM10C  
 (B)=1GM10VE (E)=1GM10L  
 (C)=1GM10-B (F)=

Fig. 1 シリンダブロック  
 CYLINDER BLOCK

見出しNo. 1は、見出しNo. (1)から18を含みます。  
 Inc.(1) - 18



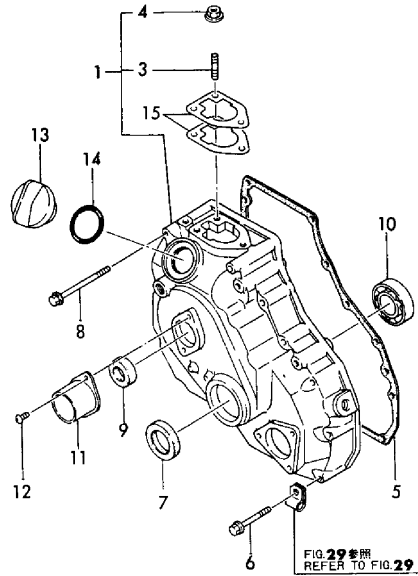
| REF. | LEV. | PARTS NO.      | DESCRIPTION           | QTY |     |            |     |     |     | I | R |
|------|------|----------------|-----------------------|-----|-----|------------|-----|-----|-----|---|---|
|      |      |                |                       | (A) | (B) | (C)        | (D) | (E) | (F) |   |   |
| 1    | 1    | 728171-01560   | BLOCK ASSY, CYLINDER  | 1   | 1   | 1          | 1   |     |     |   |   |
| I    | 1-1  | 1 728171-01561 | BLOCK ASSY, CYLINDER  | 1   | 1   | 1          | 1   | 1   |     |   | N |
|      |      | (A=E08575)     | (C=E00749) (D=E00833) |     |     | (E=E00336) |     |     |     |   |   |
| 3    | 2    | 124060-01050   | PLUG PT1/8            | 1   | 1   | 1          | 1   | 1   |     |   |   |
| 4    | 2    | 105311-01090   | PLUG 30 (SUS)         | 2   | 2   | 2          | 2   | 2   |     |   |   |
| 5    | 2    | 128170-01200   | STUD, CYL. HEAD       | 4   | 4   | 4          | 4   | 4   |     |   |   |
| 6    | 2    | 105025-01220   | NUT 10                | 4   | 4   | 4          | 4   | 4   |     |   |   |
| 7    | 2    | 105425-01250   | WASHER                | 4   | 4   | 4          | 4   | 4   |     |   |   |
| 8    | 2    | 22312-080160   | PARALLEL PIN 8X 16    | 2   | 2   | 2          | 2   | 2   |     |   |   |
| 9    | 2    | 27241-200000   | PLUG 20               | 1   | 1   | 1          | 1   | 1   |     |   |   |
| 10   | 2    | 22351-040008   | SPRING PIN 4X 8       | 1   | 1   | 1          | 1   | 1   |     |   |   |
| 11   | 2    | 120130-49350   | COCK 1/4              | 1   | 1   | 1          | 1   | 1   |     |   |   |
| 12   | 2    | 121450-02100   | MAIN METAL            | 1   | 1   | 1          | 1   | 1   |     |   |   |
| 13   | 2    | 123210-09310   | PACKING               | 1   | 1   | 1          | 1   | 1   |     |   |   |
| 14   | 2    | 128170-09320   | FLANGE, ZINC          | 1   | 1   | 1          | 1   | 1   |     |   |   |
| 15   | 2    | 104211-49160   | PACKING               | 1   | 1   | 1          | 1   | 1   |     |   |   |
| 16   | 2    | 26106-060122   | BOLT M 6X 12 PLATED   | 2   | 2   | 2          | 2   | 2   |     |   |   |
| 17   | 2    | 27210-200200   | ZINC, ANTI-CORROSIVE  | 1   | 1   | 1          | 1   | 1   |     |   |   |
| 18   | 2    | 26756-080002   | LOCK NUT M 8 PLATED   | 1   | 1   | 1          | 1   | 1   |     |   |   |
| 19   | 1    | 105582-49090   | 3-WAY JOINT           | 1   | 1   | 1          | 1   | 1   |     |   |   |
| 20   | 1    | 23061-070200   | PIPE 7X 200           | 1   | 1   | 1          | 1   | 1   |     |   |   |
| 21   | 1    | 124460-77680   | RETAINER              | 1   | 1   | 1          | 1   | 1   |     |   |   |
| 22   | 1    | 128171-01330   | GASKET, CYL. HEAD     | 1   |     | 1          | 1   | 1   |     |   |   |
| I    | 22-1 | 1 128171-01911 | GASKET, CYL. HEAD     | 1   | 1   | 1          | 1   | 1   |     |   | N |
|      |      | (A=E05917)     | (C=E00509) (D=E00566) |     |     | (E=E00250) |     |     |     |   |   |
| 23   | 1    | 121450-02310   | MAIN METAL 0.25US     | 1   | 1   | 1          | 1   | 1   |     |   | 1 |

Remarks  
 (1) UNDER-SIZED PART(0.25)

Fig.2.GEAR HOUSING

(A)=1GM10 (D)=1GM10C  
 (B)=1GM10VE (E)=1GM10L  
 (C)=1GM10-B (F)=

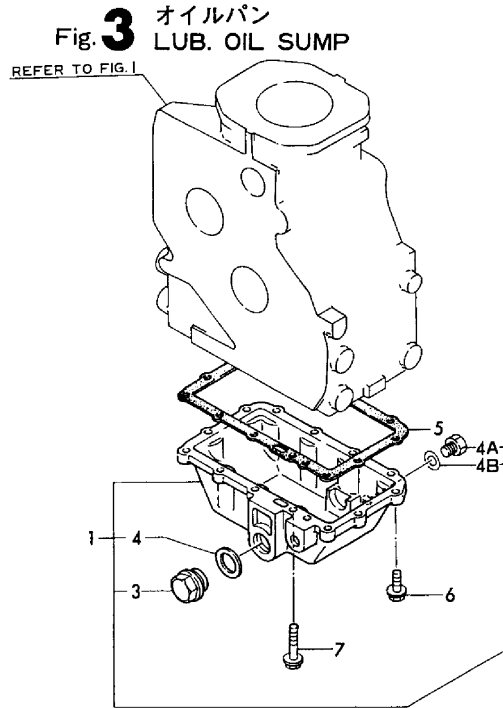
Fig.2 ギヤケース  
 GEAR HOUSING



| REF. | LEV. | PARTS NO.    | DESCRIPTION         | QTY        |            |     |     |     |     | I | R |
|------|------|--------------|---------------------|------------|------------|-----|-----|-----|-----|---|---|
|      |      |              |                     | (A)        | (B)        | (C) | (D) | (E) | (F) |   |   |
| 1    | 1    | 728170-01610 | HOUSING ASSY, GEARS | 1          | 1          | 1   | 1   |     |     |   |   |
| I    | 1-1  | 728170-01611 | HOUSING ASSY, GEARS | 1          | 1          | 1   | 1   | 1   |     |   | N |
|      |      | (A=E08179)   | (C=E00749)          | (D=E00818) | (E=E00326) |     |     |     |     |   |   |
| 3    | 2    | 26216-080222 | STUD M 8X 22 PLATED | 3          | 3          | 3   | 3   | 3   |     |   |   |
| 4    | 2    | 26366-080002 | NUT M 8             | 3          | 3          | 3   | 3   | 3   |     |   |   |
| 5    | 1    | 128170-01510 | GASKET, GEAR CASE   | 1          |            | 1   | 1   | 1   |     |   |   |
| I    | 5-1  | 128170-01511 | GASKET, (NON-ASB.)  | 1          | 1          | 1   | 1   | 1   |     |   | N |
|      |      | (A=E10132)   | (C=E01032)          | (D=E01035) | (E=E00349) |     |     |     |     |   |   |
| 6    | 1    | 26106-060502 | BOLT M 6X 50 PLATED | 7          | 7          | 7   | 7   | 7   |     |   |   |
| 7    | 1    | 26106-060802 | BOLT M 6X 80 PLATED | 5          | 5          | 5   | 5   | 5   |     |   |   |
| 8    | 1    | 121450-01801 | SEAL TC25 40 8, OIL | 1          | 1          | 1   | 1   | 1   |     |   |   |
| 9    | 1    | 129795-42820 | OIL SEAL            | 1          | 1          | 1   | 1   | 1   |     |   |   |
| 10   | 1    | 24101-060054 | BALL BEARING        | 1          | 1          | 1   | 1   | 1   |     |   |   |
| 11   | 1    | 128170-01830 | BRACKET (B), REAR   | 1          | 1          | 1   | 1   | 1   |     |   |   |
| 12   | 1    | 26557-060102 | SCREW 6X10          | 2          | 2          | 2   | 2   | 2   |     |   |   |
| 13   | 1    | 124160-01751 | CAP, LUB.OIL SUPPLY | 1          | 1          | 1   | 1   | 1   |     |   |   |
| 14   | 1    | 24321-000350 | O-RING 1A G-35.0    | 1          | 1          | 1   | 1   | 1   |     |   |   |
| 15   | 1    | 104271-01950 | SHIM SET            | 1          | 1          | 1   | 1   | 1   |     |   |   |

(A)=1GM10 (D)=1GM10C  
 (B)=1GM10VE (E)=1GM10L  
 (C)=1GM10-B (F)=

Fig.3.LUB.OIL SUMP

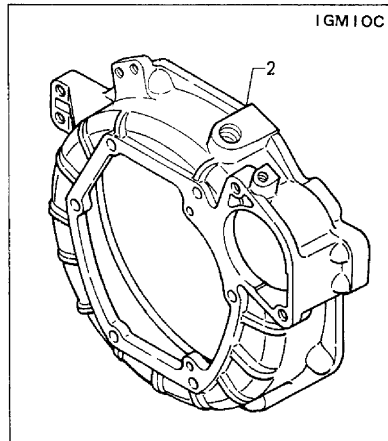
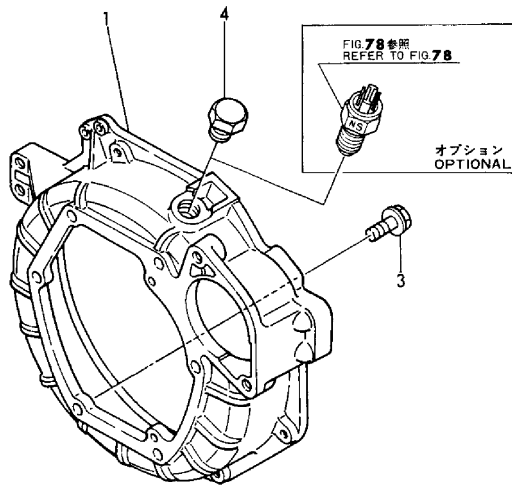


| REF. | LEV. | PARTS NO.                  | DESCRIPTION                                 | QTY |     |     |     |     |     | I | R |
|------|------|----------------------------|---|-----|-----|-----|-----|-----|-----|---|---|
|      |      |                            |   | (A) | (B) | (C) | (D) | (E) | (F) |   |   |
| 1    | 1    | 728170-01540               | SUMP ASSY, LUB OIL                          | 1   |     | 1   | 1   | 1   |     |   |   |
| I    | 1-1  | 728170-01541<br>(A=E07900) | SUMP ASSY, LUB OIL<br>(C=E00749) (D=E00807) | 1   | 1   | 1   | 1   | 1   |     |   | N |
|      |      | 105430-01690               | PLUG, DRAIN                                 | 1   | 1   | 1   | 1   | 1   |     |   |   |
|      |      | 22190-240002               | SEAL WASHER 24S                             | 1   | 1   | 1   | 1   | 1   |     |   |   |
| I    | 4A   | 23414-120016<br>(A=E07900) | GASKET 12<br>(C=E00749) (D=E00807)          | 1   | 1   | 1   | 1   | 1   |     |   | W |
|      |      | 23887-120002<br>(A=E07900) | PLUG 12,HEX.<br>(C=E00749) (D=E00807)       | 1   | 1   | 1   | 1   | 1   |     |   | W |
|      |      | 128170-01750               | GASKET, OIL SUMP                            | 1   |     | 1   | 1   | 1   |     |   |   |
| I    | 5-1  | 128170-01751<br>(A=E10132) | GASKET, (NON-ASB.)<br>(C=E01032) (D=E01035) | 1   | 1   | 1   | 1   | 1   |     |   | N |
|      |      | 26106-060182               | BOLT M 6X 18 PLATED                         | 12  | 12  | 12  | 12  | 12  |     |   |   |
|      |      | 26106-060322               | BOLT M 6X 32 PLATED                         | 1   | 1   | 1   | 1   | 1   |     |   |   |

(A)=1GM10 (D)=1GM10C  
 (B)=1GM10VE (E)=1GM10L  
 (C)=1GM10-B (F)=

Fig.4.FLYWHEEL HOUSING

Fig.4 フライホイールハウジング  
 FLYWHEEL HOUSING

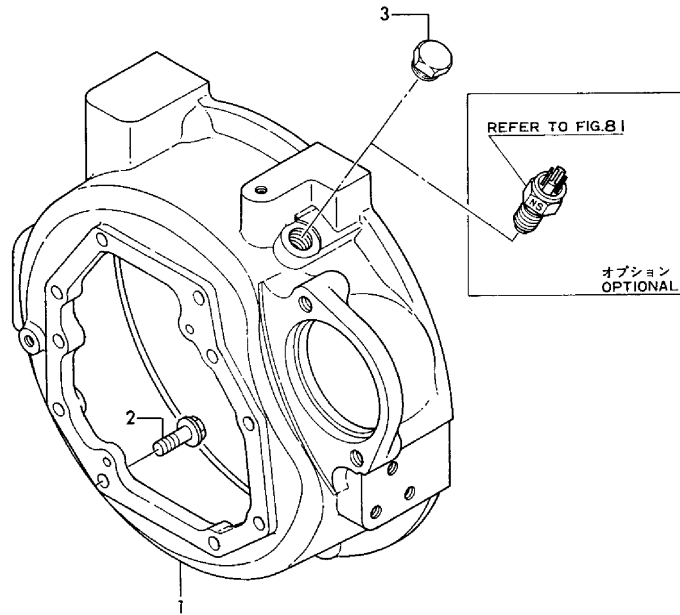


| REF. | LEV. | PARTS NO.    | DESCRIPTION         | QTY |     |     |     |     |     | I | R |
|------|------|--------------|---------------------|-----|-----|-----|-----|-----|-----|---|---|
|      |      |              |                     | (A) | (B) | (C) | (D) | (E) | (F) |   |   |
| 1    | 1    | 128170-01600 | FLANGE, MOUNTING    | 1   | 1   | 1   |     |     |     |   |   |
| 2    | 1    | 128371-01601 | HOUSING, FLYWHEEL   |     |     |     | 1   |     |     |   |   |
| 3    | 1    | 26106-100252 | BOLT M10X 25 PLATED | 6   | 6   | 6   | 8   |     |     |   |   |
| 4    | 1    | 23887-180002 | PLUG 18             | 1   | 1   | 1   | 1   |     |     |   |   |

Fig.5.FLYWHEEL HOUSING

(A)=1GM10 (D)=1GM10C  
 (B)=1GM10VE (E)=1GM10L  
 (C)=1GM10-B (F)=

Fig. 5 フライホイールハウジング  
 FLYWHEEL HOUSING

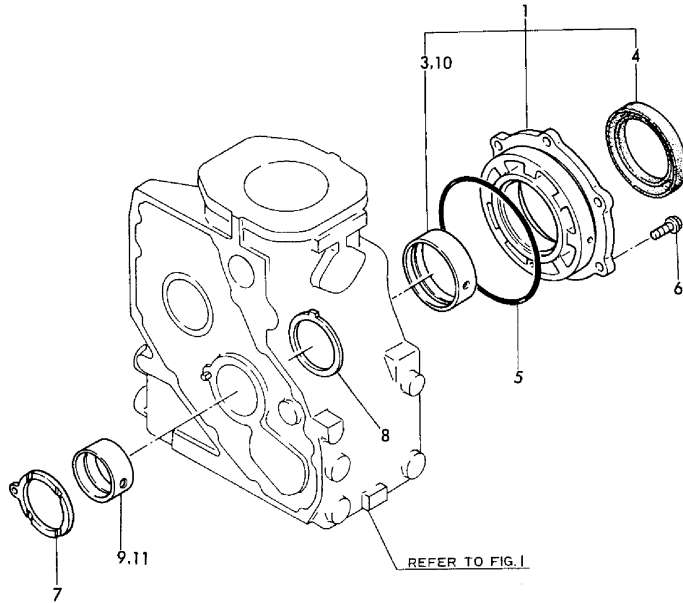


| REF.  | LEV. | PARTS NO.    | DESCRIPTION         | Q'TY       |     |     |     |     |     | I | R |   |
|-------|------|--------------|---------------------|------------|-----|-----|-----|-----|-----|---|---|---|
|       |      |              |                     | (A)        | (B) | (C) | (D) | (E) | (F) |   |   |   |
| 1     | 1    | 128172-01600 | FLANGE, MOUNTING    |            |     |     |     |     |     | 1 |   |   |
| I 1-1 | 1    | 128172-01601 | FLANGE, MOUNTING    |            |     |     |     |     |     | 1 |   | N |
|       |      |              |                     | (E=E00155) |     |     |     |     |     |   |   |   |
| 2     | 1    | 26106-100302 | BOLT M10X 30 PLATED |            |     |     |     |     |     | 8 |   |   |
| 3     | 1    | 23887-180002 | PLUG 18             |            |     |     |     |     |     | 1 |   |   |

Fig.6.MAIN BEARING HOUSING

(A)=1GM10 (D)=1GM10C  
 (B)=1GM10VE (E)=1GM10L  
 (C)=1GM10-B (F)=

Fig.6 メインメタル  
 MAIN BEARING HOUSING



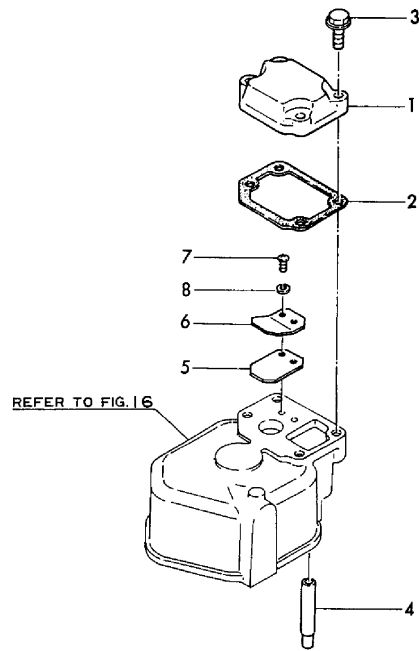
| REF. | LEV. | PARTS NO.    | DESCRIPTION          | QTY                 |            |     |     |     |     | I | R |
|------|------|--------------|----------------------|---------------------|------------|-----|-----|-----|-----|---|---|
|      |      |              |                      | (A)                 | (B)        | (C) | (D) | (E) | (F) |   |   |
| 1    | 1    | 728170-02500 | HOUSING ASSY,BEARING | 1                   | 1          | 1   | 1   | 1   |     |   |   |
| 3    | 2    | 121450-02110 | MAIN METAL           | 1                   | 1          | 1   | 1   | 1   |     |   |   |
| 4    | 2    | 124085-02220 | SEAL, OIL            | 1                   | 1          | 1   | 1   | 1   |     |   |   |
| 5    | 1    | 105225-02020 | O-RING               | 1                   | 1          | 1   | 1   | 1   |     |   |   |
| 6    | 1    | 26106-080182 | BOLT M 8X 18 PLATED  | 6                   |            | 6   | 6   | 6   |     |   |   |
| I    | 6-1  | 1            | 26013-080202         | BOLT W/WASHER M8X20 | 6          | 6   | 6   | 6   | 6   |   | N |
|      |      | (A=E10103)   | (C=E01022)           | (D=E01018)          | (E=E00349) |     |     |     |     |   |   |
| 7    | 1    | 128170-02090 | BEARING THRUST       | 1                   | 1          | 1   | 1   | 1   |     |   |   |
| 8    | 1    | 104200-02110 | BEARING THRUST       | 1                   | 1          | 1   | 1   | 1   |     |   |   |
| 9    | 1    | 121450-02100 | MAIN METAL           | 1                   | 1          | 1   | 1   | 1   |     |   |   |
| 10   | 1    | 121450-02320 | MAIN METAL 0.25US    | 1                   | 1          | 1   | 1   | 1   |     |   | 1 |
| 11   | 1    | 121450-02310 | MAIN METAL 0.25US    | 1                   | 1          | 1   | 1   | 1   |     |   | 1 |

Remarks  
 (1) UNDER-SIZED PART(0.25)

Fig.7.BREATHER

(A)=1GM10 (D)=1GM10C  
 (B)=1GM10VE (E)=1GM10L  
 (C)=1GM10-B (F)=

Fig.7 ブリーザ  
 BREATHER

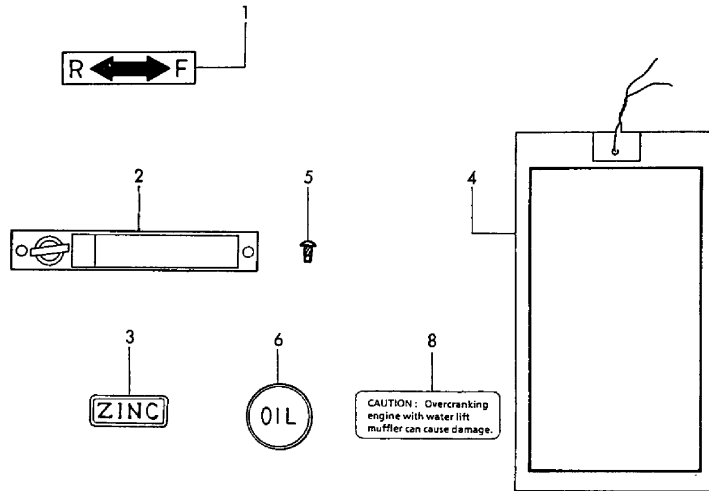


| REF. | LEV. | PARTS NO.    | DESCRIPTION         | QTY |     |     |     |     |     | I | R |
|------|------|--------------|---------------------|-----|-----|-----|-----|-----|-----|---|---|
|      |      |              |                     | (A) | (B) | (C) | (D) | (E) | (F) |   |   |
| 1    | 1    | 128170-03020 | COVER, BREATHER     | 1   | 1   | 1   | 1   | 1   |     |   |   |
| 2    | 1    | 128170-03070 | GASKET              | 1   | 1   | 1   | 1   | 1   |     |   |   |
| 3    | 1    | 26106-060202 | BOLT M 6X 20 PLATED | 4   | 4   | 4   | 4   | 4   |     |   |   |
| 4    | 1    | 128170-03200 | PIPE, BREATHER      | 1   | 1   | 1   | 1   | 1   |     |   |   |
| 5    | 1    | 101158-03061 | VALVE, CHECK        | 1   | 1   | 1   | 1   | 1   |     |   |   |
| 6    | 1    | 101158-03111 | RETAINER            | 1   | 1   | 1   | 1   | 1   |     |   |   |
| 7    | 1    | 26557-040082 | SCREW M 4X 8        | 2   | 2   | 2   | 2   | 2   |     |   |   |
| 8    | 1    | 22217-040000 | SPRING WASHER 4     | 2   | 2   | 2   | 2   | 2   |     |   |   |



Fig.8.LABEL

Fig. 8 銘板 LABEL



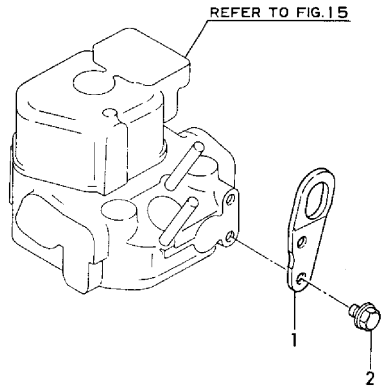
(A)=1GM10 (D)=1GM10C  
 (B)=1GM10VE (E)=1GM10L  
 (C)=1GM10-B (F)=

| REF. | LEV. | PARTS NO.    | DESCRIPTION    | Q'TY |     |     |            |     |     | I | R |
|------|------|--------------|----------------|------|-----|-----|------------|-----|-----|---|---|
|      |      |              |                | (A)  | (B) | (C) | (D)        | (E) | (F) |   |   |
| I    | 1    | 177088-02430 | LABEL          | 1    |     | 1   |            |     |     |   |   |
| I    | 2    | 105582-07061 | LABEL          |      |     | 1   | 1          |     |     |   |   |
|      | 3    | 128170-07340 | LABEL          | 1    | 1   | 1   | 1          | 1   |     |   |   |
|      | 4    | 128170-07850 | LABEL, CAUTION | 1    | 1   |     | 1          |     |     |   |   |
| I    | 5    | 102210-07990 | RIVET          |      |     | 2   | 2          |     |     |   |   |
| I    | 6    | 42222-003550 | LABEL          | 1    |     | 1   |            |     |     |   | Z |
|      |      | (A=E12509)   |                |      |     |     |            |     |     |   |   |
| I    | 8    | 128171-07150 | LABEL          | 1    |     |     | 1          |     |     |   | W |
|      |      | (A=E12509)   |                |      |     |     | (D=E01364) |     |     |   |   |

Fig.9.ENGINE LIFTER

(A)=1GM10 (D)=1GM10C  
 (B)=1GM10VE (E)=1GM10L  
 (C)=1GM10-B (F)=

Fig.9 吊り上げ金具  
 ENGINE LIFTER

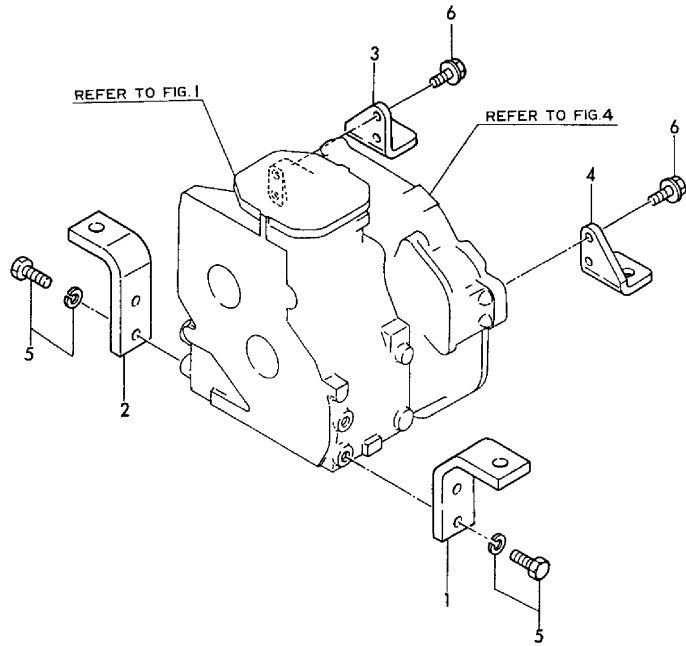


| REF. | LEV. | PARTS NO.    | DESCRIPTION         | QTY |     |     |     |     |     | I | R |
|------|------|--------------|---------------------|-----|-----|-----|-----|-----|-----|---|---|
|      |      |              |                     | (A) | (B) | (C) | (D) | (E) | (F) |   |   |
| 1    | 1    | 128170-07230 | LIFTER, ENGINE      | 1   | 1   | 1   | 1   | 1   |     |   |   |
| 2    | 1    | 26106-080142 | BOLT M 8X 14 PLATED | 2   | 2   | 2   | 2   | 2   |     |   |   |

Fig.10.ENGINE BRACKET

(A)=1GM10 (D)=1GM10C  
 (B)=1GM10VE (E)=1GM10L  
 (C)=1GM10-B (F)=

Fig. 10 マウンティングフット  
 ENGINE BRACKET

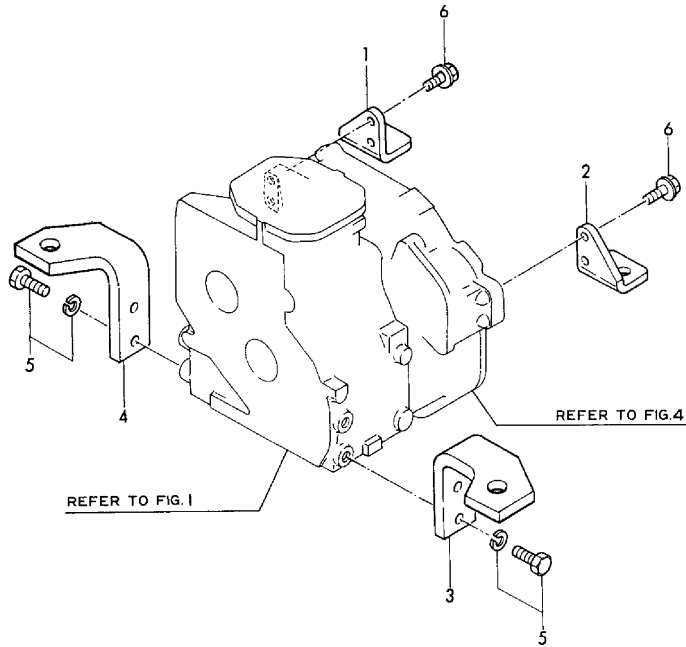


| REF. | LEV. | PARTS NO.    | DESCRIPTION         | QTY |     |     |     |     |     | I | R |  |
|------|------|--------------|---------------------|-----|-----|-----|-----|-----|-----|---|---|--|
|      |      |              |                     | (A) | (B) | (C) | (D) | (E) | (F) |   |   |  |
| 1    | 1    | 128170-08100 | BRACKET (A), ENGINE | 1   |     | 1   |     |     |     |   |   |  |
| 2    | 1    | 128170-08110 | BRACKET (B), ENGINE | 1   |     | 1   |     |     |     |   |   |  |
| 3    | 1    | 128170-08120 | BRACKET (A), REAR   | 1   |     | 1   |     |     |     |   |   |  |
| 4    | 1    | 128170-08130 | BRACKET(B), REAR    | 1   |     | 1   |     |     |     |   |   |  |
| 5    | 1    | 26013-120302 | BOLT WWASHER M12X30 | 4   |     | 4   |     |     |     |   |   |  |
| 6    | 1    | 26106-100252 | BOLT M10X 25 PLATED | 4   |     | 4   |     |     |     |   |   |  |

Fig.11.ENGINE BRACKET

(A)=1GM10 (D)=1GM10C  
 (B)=1GM10VE (E)=1GM10L  
 (C)=1GM10-B (F)=

Fig. 11 マウンティングフット  
 ENGINE BRACKET

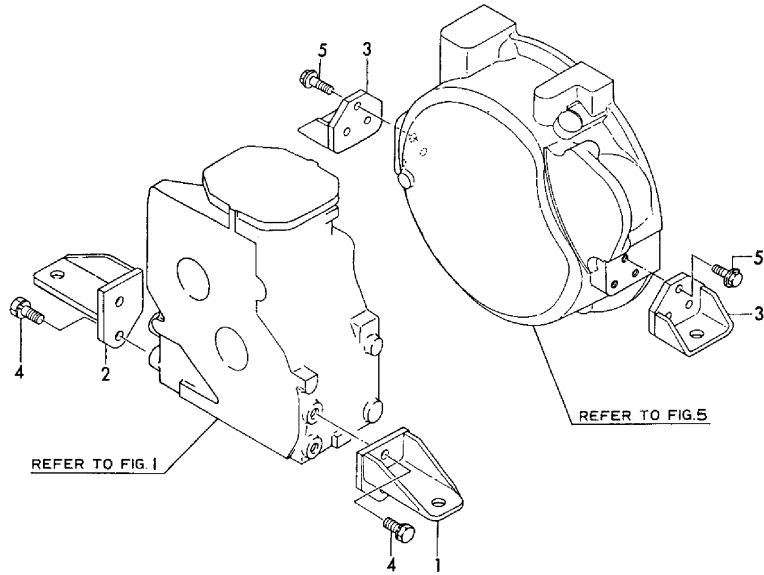


| REF. | LEV. | PARTS NO.    | DESCRIPTION         | QTY |     |     |     |     |     |  |
|------|------|--------------|---------------------|-----|-----|-----|-----|-----|-----|--|
|      |      |              |                     | (A) | (B) | (C) | (D) | (E) | (F) |  |
| 1    | 1    | 128170-08120 | BRACEKT (A), REAR   |     | 1   |     | 1   |     |     |  |
| 2    | 1    | 128170-08130 | BRACKET(B), REAR    |     | 1   |     | 1   |     |     |  |
| 3    | 1    | 128171-08150 | BRACKET(A)          |     | 1   |     | 1   |     |     |  |
| 4    | 1    | 128171-08160 | BRACKET(B)          |     | 1   |     | 1   |     |     |  |
| 5    | 1    | 26013-120302 | BOLT WWASHER M12X30 |     | 4   |     | 4   |     |     |  |
| 6    | 1    | 26106-100252 | BOLT M10X 25 PLATED |     | 4   |     | 4   |     |     |  |

Fig.12.ENGINE BRACKET

(A)=1GM10 (D)=1GM10C  
 (B)=1GM10VE (E)=1GM10L  
 (C)=1GM10-B (F)=

Fig. 12 マウンティングフット  
 ENGINE BRACKET



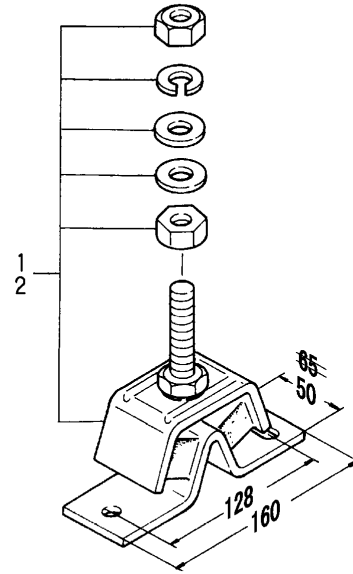
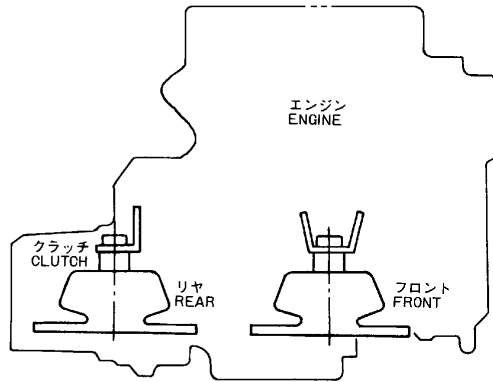
| REF. | LEV. | PARTS NO.    | DESCRIPTION         | Q'TY |     |     |     |     |            | I | R |   |
|------|------|--------------|---------------------|------|-----|-----|-----|-----|------------|---|---|---|
|      |      |              |                     | (A)  | (B) | (C) | (D) | (E) | (F)        |   |   |   |
| 1    | 1    | 128172-08100 | BRACKET (A)         |      |     |     |     |     |            | 1 |   |   |
| I    | 1-1  | 171078-08100 | BRACKET             |      |     |     |     |     |            | 1 |   | N |
|      |      |              |                     |      |     |     |     |     | (E=E00345) |   |   |   |
| 2    | 1    | 128172-08110 | BRACKET (B)         |      |     |     |     |     |            | 1 |   |   |
| 3    | 1    | 121005-08120 | BRACKET(C), ENGINE  |      |     |     |     |     |            | 2 |   |   |
| 4    | 1    | 26013-120282 | BOLT M12X 28        |      |     |     |     |     |            | 4 |   |   |
| 5    | 1    | 26106-100252 | BOLT M10X 25 PLATED |      |     |     |     |     |            | 6 |   |   |

Fig.13.FLEXIBLE MOUNT

P/C NEWS No:Y00F5041-4  
 PUBLISHED:2003/8

(A)=1GM10 (D)=1GM10C  
 (B)=1GM10VE (E)=1GM10L  
 (C)=1GM10-B (F)=

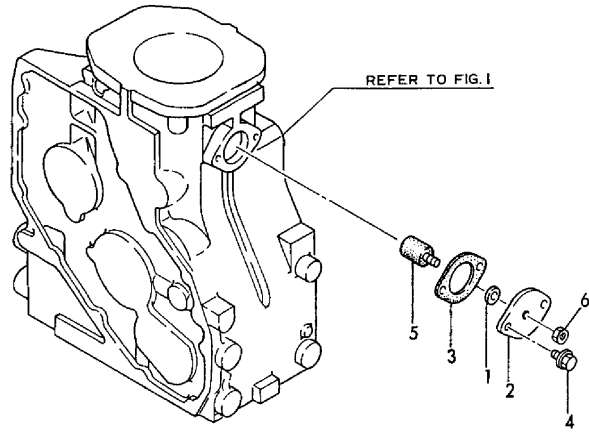
| REF. | LEV. | PARTS NO.    | DESCRIPTION        | QTY |     |     |     |     |     | I | R |
|------|------|--------------|--------------------|-----|-----|-----|-----|-----|-----|---|---|
|      |      |              |                    | (A) | (B) | (C) | (D) | (E) | (F) |   |   |
| 1    | 1    | 128170-08340 | MOUNTING, FLEXIBLE | 2   | 2   | 2   | 2   |     |     |   |   |
| 2    | 1    | 128170-08350 | MOUNTING, FLEXIBLE | 2   | 2   | 2   |     |     |     |   |   |



(A)=1GM10 (D)=1GM10C  
 (B)=1GM10VE (E)=1GM10L  
 (C)=1GM10-B (F)=

Fig.14.ANTI-CORROSIVE ZINC

Fig. 14 防食亜鉛  
 ANTI-CORROSIVE ZINC

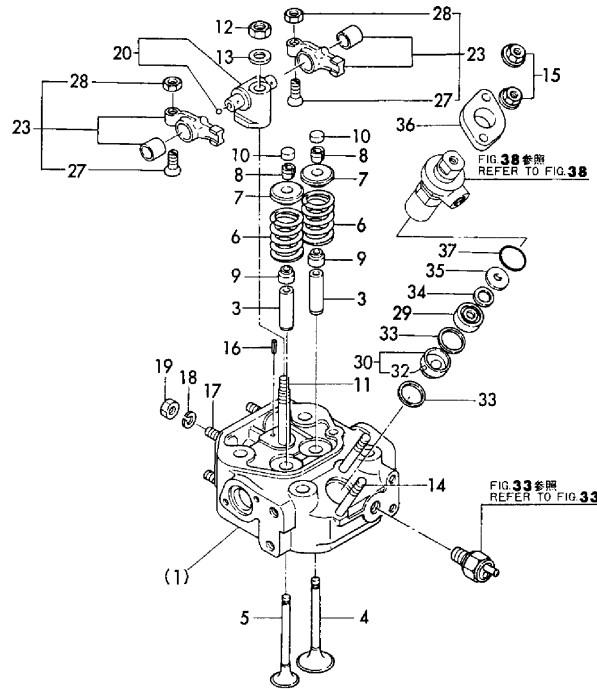


| REF. | LEV. | PARTS NO.    | DESCRIPTION          | QTY |     |     |     |     |     | I | R |
|------|------|--------------|----------------------|-----|-----|-----|-----|-----|-----|---|---|
|      |      |              |                      | (A) | (B) | (C) | (D) | (E) | (F) |   |   |
| 1    | 2    | 123210-09310 | PACKING              | 1   | 1   | 1   | 1   | 1   |     |   |   |
| 2    | 2    | 128170-09320 | FLANGE, ZINC         | 1   | 1   | 1   | 1   | 1   |     |   |   |
| 3    | 2    | 104211-49160 | PACKING              | 1   | 1   | 1   | 1   | 1   |     |   |   |
| 4    | 2    | 26106-060122 | BOLT M 6X 12 PLATED  | 2   | 2   | 2   | 2   | 2   |     |   |   |
| 5    | 2    | 27210-200200 | ZINC, ANTI-CORROSIVE | 1   | 1   | 1   | 1   | 1   |     |   |   |
| 6    | 2    | 26756-080002 | LOCK NUT M 8 PLATED  | 1   | 1   | 1   | 1   | 1   |     |   |   |

Fig.15.CYLINDER HEAD

(A)=1GM10 (D)=1GM10C  
 (B)=1GM10VE (E)=1GM10L  
 (C)=1GM10-B (F)=

Fig. 15 シリンダヘッド  
 CYLINDER HEAD



見出しNo. 1は、見出しNo.(1)から19を含みます。  
 Inc(1) ~ 19

| REF. | LEV. | PARTS NO.    | DESCRIPTION         | QTY              |            |     |     |     |     | I | R |
|------|------|--------------|---------------------|------------------|------------|-----|-----|-----|-----|---|---|
|      |      |              |                     | (A)              | (B)        | (C) | (D) | (E) | (F) |   |   |
| 1    | 1    | 728170-11700 | HEAD ASSY, CYLINDER | 1                | 1          | 1   | 1   | 1   |     |   |   |
| 3    | 3    | 128170-11160 | GUIDE, VALVE        | 2                |            | 2   | 2   | 2   |     |   |   |
| I    | 3-1A | 3            | 124060-11160        | GUIDE, VALVE     | 1          | 1   | 1   | 1   | 1   |   | N |
|      |      | (A=E09063)   | (C=E00898)          | (D=E00908)       | (E=E00341) |     |     |     |     |   |   |
| I    | 3-1B | 3            | 128272-11170        | GUIDE, VALVE     | 1          | 1   | 1   | 1   | 1   |   | W |
|      |      | (A=E09063)   | (C=E00898)          | (D=E00908)       | (E=E00341) |     |     |     |     |   |   |
| 4    | 2    | 105225-11100 | VALVE, SUCTION      | 1                | 1          | 1   | 1   | 1   |     |   |   |
| 5    | 2    | 105225-11110 | VALVE, EXHAUST      | 1                | 1          | 1   | 1   | 1   |     |   |   |
| 6    | 2    | 121575-11121 | SPRING, VALVE       | 2                | 2          | 2   | 2   | 2   |     |   |   |
| 7    | 2    | 104200-11180 | RETAINER, SPRING    | 2                | 2          | 2   | 2   | 2   |     |   |   |
| 8    | 2    | 27310-070001 | COTTER ASSY         | 2                | 2          | 2   | 2   | 2   |     |   |   |
| 9    | 2    | 128170-11340 | SEAL, VALVE STEM    | 2                |            | 2   | 2   | 2   |     |   |   |
| I    | 9-1  | 2            | 124950-11340        | SEAL, VALVE STEM | 2          | 2   | 2   | 2   | 2   |   | N |
|      |      | (A=E09063)   | (C=E00898)          | (D=E00908)       | (E=E00341) |     |     |     |     |   |   |
| 10   | 2    | 104211-11370 | CAP, VALVE          | 2                | 2          | 2   | 2   | 2   |     |   |   |
| 11   | 2    | 128170-11350 | STUD, SUPPORT       | 1                | 1          | 1   | 1   | 1   |     |   |   |
| 12   | 2    | 26706-100002 | NUT M10             | 1                |            | 1   | 1   | 1   |     |   |   |
| I    | 12-1 | 2            | 26606-100002        | NUT M10          | 1          | 1   | 1   | 1   | 1   |   | S |
|      |      | (A=E11797)   | (C=E01139)          | (D=E01307)       | (E=E00409) |     |     |     |     |   |   |
| 13   | 2    | 22137-100000 | WASHER 10,POLISHED  | 1                | 1          | 1   | 1   | 1   |     |   |   |
| 14   | 2    | 26216-080652 | STUD M 8X 65 PLATED | 2                | 2          | 2   | 2   | 2   |     |   |   |
| 15   | 2    | 26366-080002 | NUT M 8             | 2                | 2          | 2   | 2   | 2   |     |   |   |
| 16   | 2    | 22351-040010 | SPRING PIN 4X10     | 1                | 1          | 1   | 1   | 1   |     |   |   |
| 17   | 2    | 128170-13600 | STUD                | 3                | 3          | 3   | 3   | 3   |     |   |   |
| 18   | 2    | 22217-080000 | SPRING WASHER 8     | 3                | 3          | 3   | 3   | 3   |     |   |   |
| 19   | 2    | 26703-080002 | NUT M 8             | 3                | 3          | 3   | 3   | 3   |     |   |   |
| 20   | 1    | 128170-11290 | SUPPORT, ROCKER ARM | 1                | 1          | 1   | 1   | 1   |     |   |   |
| 23   | 1    | 728170-11650 | ARM ASSY, ROCKER    | 2                | 2          | 2   | 2   | 2   |     |   |   |
| 27   | 2    | 101158-11230 | SCREW, VALVE        | 2                | 2          | 2   | 2   | 2   |     |   |   |
| 28   | 2    | 26756-080002 | LOCK NUT M 8 PLATED | 2                | 2          | 2   | 2   | 2   |     |   |   |
| 29   | 1    | 128275-11410 | CHAMBER, REAR       | 1                | 1          | 1   | 1   | 1   |     |   |   |
| 30   | 1    | 105311-11420 | CHAMBER, FRONT      | 1                | 1          | 1   | 1   | 1   |     |   |   |
| 32   | 2    | 103338-11430 | PIN                 | 1                | 1          | 1   | 1   | 1   |     |   |   |
| 33   | 1    | 124950-11450 | GASKET, CHAMBER     | 2                | 2          | 2   | 2   | 2   |     |   |   |
| 34   | 1    | 128275-11490 | INSULATOR           | 1                | 1          | 1   | 1   | 1   |     |   |   |
| 35   | 1    | 128275-11500 | COVER               | 1                | 1          | 1   | 1   | 1   |     |   |   |
| 36   | 1    | 101147-11900 | FLANGE              | 1                | 1          | 1   | 1   | 1   |     |   |   |
| 37   | 1    | 24341-000260 | O-RING 1A S-26.0    | 1                | 1          | 1   | 1   | 1   |     |   |   |

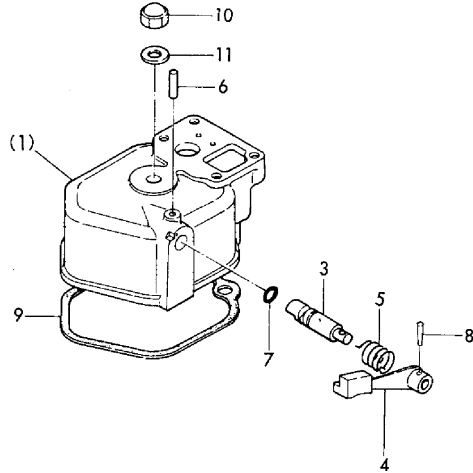


Fig.16.BONNET

(A)=1GM10 (D)=1GM10C  
 (B)=1GM10VE (E)=1GM10L  
 (C)=1GM10-B (F)=

Fig. 16 ボンネット  
 BONNET

見出しNo.1は、見出しNo.(1)から8を含みます。  
 Inc.(1) ~ 8

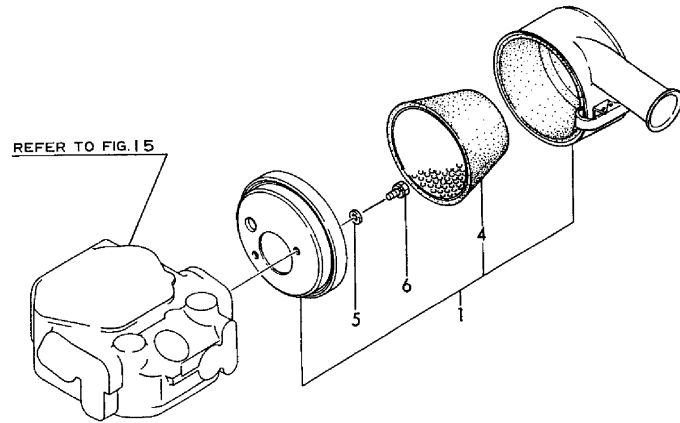


| REF.   | LEV. | PARTS NO.    | DESCRIPTION           | QTY |     |            |     |     |     | I | R |
|--------|------|--------------|-----------------------|-----|-----|------------|-----|-----|-----|---|---|
|        |      |              |                       | (A) | (B) | (C)        | (D) | (E) | (F) |   |   |
| 1      | 1    | 128170-11860 | BONNET, CYL. HEAD     | 1   | 1   | 1          | 1   |     |     |   |   |
| I 1-1  | 1    | 128176-11860 | BONNET, CYL. HEAD     | 1   | 1   | 1          | 1   | 1   |     |   | N |
|        |      | (A=E08179)   | (C=E00749) (D=E00818) |     |     | (E=E00326) |     |     |     |   |   |
| 3      | 2    | 104200-03600 | SHAFT, DECOMPRESSION  | 1   | 1   | 1          | 1   | 1   |     |   |   |
| 4      | 2    | 104104-03750 | LEVER, DECOMPRESSION  | 1   |     | 1          | 1   | 1   |     |   |   |
| I 4-1  | 2    | 128176-03750 | LEVER, DECOMPRESSION  | 1   | 1   | 1          | 1   | 1   |     |   | N |
|        |      | (A=E08179)   | (C=E00749) (D=E00818) |     |     | (E=E00326) |     |     |     |   |   |
| 5      | 2    | 104200-03641 | SPRING, DECOMPRESSION | 1   | 1   | 1          | 1   | 1   |     |   |   |
| 6      | 2    | 22312-030180 | PARALLEL PIN 3X18     | 1   | 1   | 1          | 1   | 1   |     |   |   |
| 7      | 2    | 24311-000070 | O-RING 1A P-7.0       | 1   | 1   | 1          | 1   | 1   |     |   |   |
| 8      | 2    | 22322-030160 | TAPER PIN 3X16        | 1   | 1   | 1          | 1   | 1   |     |   |   |
| 9      | 1    | 128170-11310 | GASKET, BONNET        | 1   | 1   | 1          | 1   | 1   |     |   |   |
| 10     | 1    | 26656-080002 | DOMED CAP NUT (M8)    | 1   |     | 1          | 1   | 1   |     |   |   |
| I 10-1 | 1    | 26657-080002 | CAP NUT M 8           | 1   | 1   | 1          | 1   | 1   |     |   | N |
|        |      | (A=E11891)   | (C=E01139) (D=E01313) |     |     | (E=E00410) |     |     |     |   |   |
| 11     | 1    | 43400-500410 | SEAL WASHER 8S        | 1   |     | 1          | 1   | 1   |     |   |   |
| I 11-1 | 1    | 22190-080002 | SEAL WASHER 8S        | 1   | 1   | 1          | 1   | 1   |     |   | N |
|        |      | (A=E12740)   | (C=E01195) (D=E01385) |     |     | (E=E00731) |     |     |     |   |   |

(A)=1GM10 (D)=1GM10C  
 (B)=1GM10VE (E)=1GM10L  
 (C)=1GM10-B (F)=

Fig.17.AIR INTAKE SILENCER

Fig. 17 吸気サイレンサ  
 AIR INTAKE SILENCER

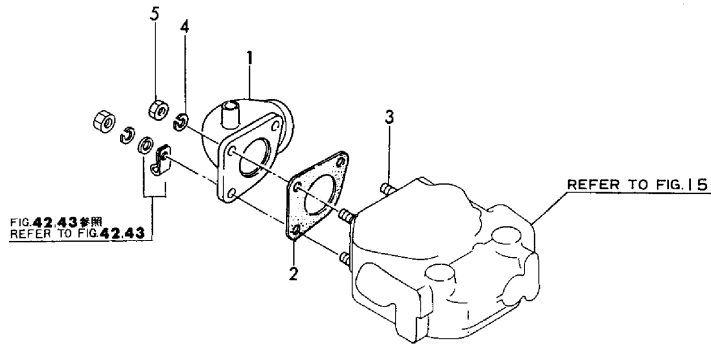


| REF. | LEV. | PARTS NO.    | DESCRIPTION          | QTY |     |     |     |     |     | I | R |
|------|------|--------------|----------------------|-----|-----|-----|-----|-----|-----|---|---|
|      |      |              |                      | (A) | (B) | (C) | (D) | (E) | (F) |   |   |
| 1    | 1    | 128171-12500 | SILENCER, AIR INTAKE | 1   | 1   | 1   | 1   | 1   |     |   |   |
| 4    | 2    | 128171-12540 | ELEMENT              | 1   | 1   | 1   | 1   | 1   |     |   |   |
| 5    | 1    | 22117-060000 | WASHER 6             | 2   | 2   | 2   | 2   | 2   |     |   |   |
| 6    | 1    | 26013-060102 | BOLT M 6X 10         | 2   | 2   | 2   | 2   | 2   |     |   |   |

Fig.18.MIXING ELBOW

(A)=1GM10 (D)=1GM10C  
 (B)=1GM10VE (E)=1GM10L  
 (C)=1GM10-B (F)=

Fig. 18 ミキシングエルボ  
 MIXING ELBOW

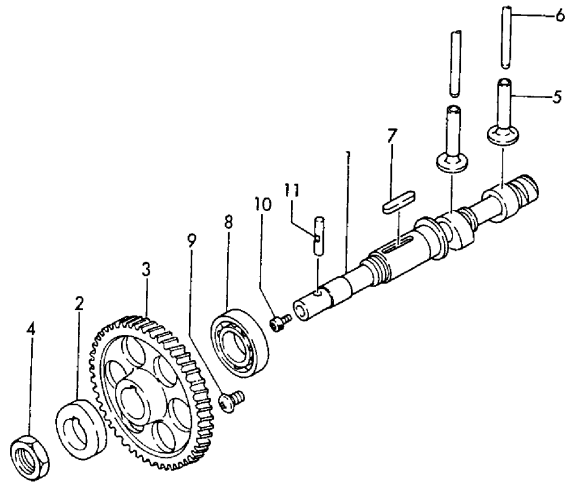


| REF.  | LEV. | PARTS NO.    | DESCRIPTION         | Q'TY       |            |     |     |     |     | I | R |
|-------|------|--------------|---------------------|------------|------------|-----|-----|-----|-----|---|---|
|       |      |              |                     | (A)        | (B)        | (C) | (D) | (E) | (F) |   |   |
| 1     | 1    | 128170-13530 | ELBOW, WATER MIXING | 1          | 1          | 1   | 1   | 1   |     |   |   |
| 2     | 1    | 128170-13200 | GASKET              | 1          |            | 1   | 1   | 1   |     |   |   |
| I 2-1 | 1    | 128170-13201 | GASKET, (NON-ASB.)  | 1          | 1          | 1   | 1   | 1   |     |   | N |
|       |      | (A=E10132)   | (C=E01032)          | (D=E01035) | (E=E00349) |     |     |     |     |   |   |
| 3     | 1    | 26213-080182 | STUD M 8X 18        | 3          |            | 3   | 3   | 3   |     |   |   |
| I 3-1 | 1    | 128170-13600 | STUD                | 3          | 3          | 3   | 3   | 3   |     |   | N |
|       |      | (A=E0000)    | (C=E0000)           | (D=E0000)  | (E=E0000)  |     |     |     |     |   |   |
| 4     | 1    | 22217-080000 | SPRING WASHER 8     | 3          | 3          | 3   | 3   | 3   |     |   |   |
| 5     | 1    | 26703-080002 | NUT M 8             | 3          | 3          | 3   | 3   | 3   |     |   |   |

Fig.19.CAMSHAFT

(A)=1GM10 (D)=1GM10C  
 (B)=1GM10VE (E)=1GM10L  
 (C)=1GM10-B (F)=

Fig. 19 カムシャフト  
 CAMSHAFT

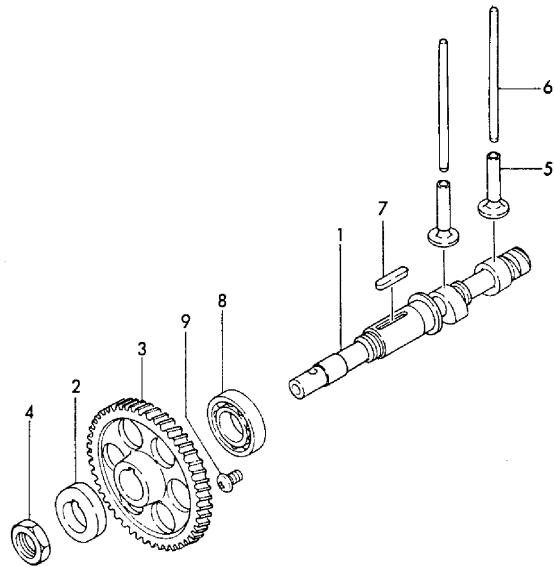


| REF. | LEV. | PARTS NO.    | DESCRIPTION    | QTY        |     |     |     |     |     | I | R |
|------|------|--------------|----------------|------------|-----|-----|-----|-----|-----|---|---|
|      |      |              |                | (A)        | (B) | (C) | (D) | (E) | (F) |   |   |
| 1    | 1    | 128170-14010 | CAMSHAFT       | 1          | 1   | 1   |     |     |     |   |   |
| I    | 1-1  | 128170-14011 | CAMSHAFT       | 1          | 1   | 1   | 1   |     |     |   | N |
|      |      | (A=E08179)   | (C=E00749)     | (D=E00818) |     |     |     |     |     |   |   |
| 2    | 1    | 124060-14090 | CAM, FUEL      | 1          | 1   | 1   | 1   |     |     |   |   |
| 3    | 1    | 128170-14100 | GEAR, CAMSHAFT | 1          | 1   | 1   | 1   |     |     |   |   |
| 4    | 1    | 128170-14150 | NUT, CAM       | 1          | 1   | 1   | 1   |     |     |   |   |
| 5    | 1    | 105430-14200 | TAPPET         | 2          | 2   | 2   | 2   |     |     |   |   |
| 6    | 1    | 105225-14400 | ROD, PUSH      | 2          | 2   | 2   | 2   |     |     |   |   |
| 7    | 1    | 22512-050340 | KEY 5X 34      | 1          | 1   | 1   | 1   |     |     |   |   |
| 8    | 1    | 24101-060054 | BALL BEARING   | 1          | 1   | 1   | 1   |     |     |   |   |
| 9    | 1    | 26587-080122 | SCREW M 8X 12  | 1          | 1   | 1   | 1   |     |     |   |   |
| 10   | 1    | 26450-050102 | BOLT M 5X 10   | 1          | 1   | 1   | 1   |     |     |   |   |
| 11   | 1    | 124070-14760 | PIN            | 1          | 1   | 1   | 1   |     |     |   |   |

(A)=1GM10 (D)=1GM10C  
 (B)=1GM10VE (E)=1GM10L  
 (C)=1GM10-B (F)=

Fig.20.CAMSHAFT

Fig. 20 カムシャフト  
 CAMSHAFT

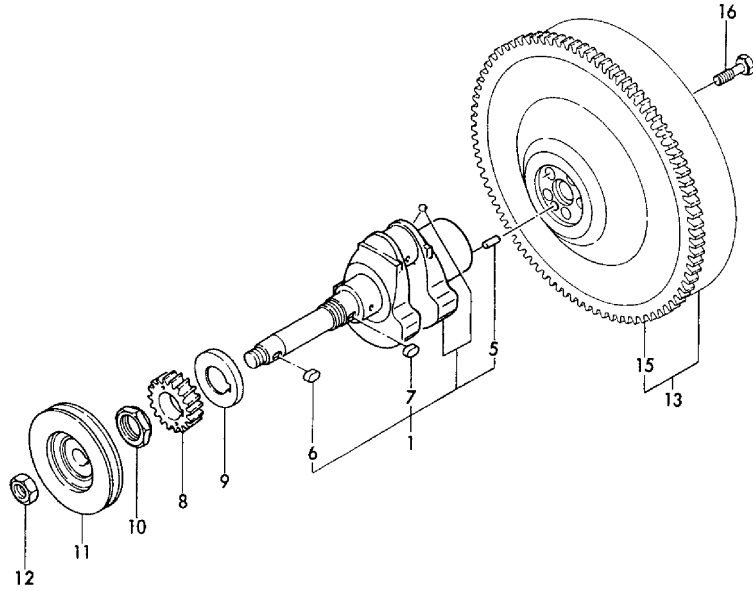


| REF.  | LEV. | PARTS NO.    | DESCRIPTION    | Q'TY       |     |     |     |     |     | I | R |   |
|-------|------|--------------|----------------|------------|-----|-----|-----|-----|-----|---|---|---|
|       |      |              |                | (A)        | (B) | (C) | (D) | (E) | (F) |   |   |   |
| 1     | 1    | 128170-14010 | CAMSHAFT       |            |     |     |     |     |     | 1 |   |   |
| I 1-1 | 1    | 128170-14011 | CAMSHAFT       |            |     |     |     |     |     | 1 |   | N |
|       |      |              |                | (E=E00326) |     |     |     |     |     |   |   |   |
| 2     | 1    | 124060-14090 | CAM, FUEL      |            |     |     |     |     |     | 1 |   |   |
| 3     | 1    | 128170-14100 | GEAR, CAMSHAFT |            |     |     |     |     |     | 1 |   |   |
| 4     | 1    | 128170-14150 | NUT, CAM       |            |     |     |     |     |     | 1 |   |   |
| 5     | 1    | 105430-14200 | TAPPET         |            |     |     |     |     |     | 2 |   |   |
| 6     | 1    | 105225-14400 | ROD, PUSH      |            |     |     |     |     |     | 2 |   |   |
| 7     | 1    | 22512-050340 | KEY 5X 34      |            |     |     |     |     |     | 1 |   |   |
| 8     | 1    | 24101-060054 | BALL BEARING   |            |     |     |     |     |     | 1 |   |   |
| 9     | 1    | 26587-080122 | SCREW M 8X 12  |            |     |     |     |     |     | 1 |   |   |

(A)=1GM10 (D)=1GM10C  
 (B)=1GM10VE (E)=1GM10L  
 (C)=1GM10-B (F)=

Fig.21.CRANKSHAFT & FLYWHEEL

Fig. **21** クランクシャフト & フライホイール  
 CRANKSHAFT & FLYWHEEL

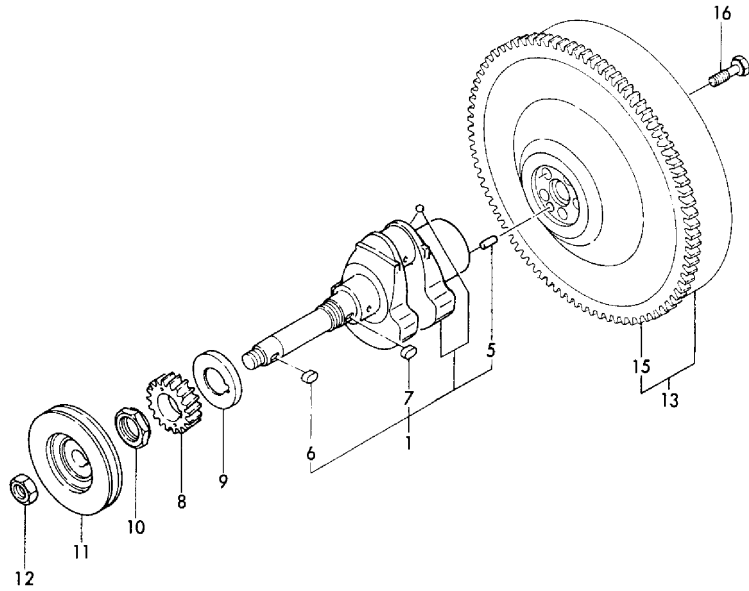


| REF. | LEV. | PARTS NO.    | DESCRIPTION          | QTY |     |     |     |     |     | I | R |
|------|------|--------------|----------------------|-----|-----|-----|-----|-----|-----|---|---|
|      |      |              |                      | (A) | (B) | (C) | (D) | (E) | (F) |   |   |
| 1    | 1    | 728171-21700 | CRANKSHAFT ASSY      | 1   | 1   | 1   | 1   |     |     |   |   |
| 5    | 2    | 22312-080160 | PARALLEL PIN 8X 16   | 1   | 1   | 1   | 1   |     |     |   |   |
| 6    | 2    | 22512-070120 | KEY 7X 12            | 1   | 1   | 1   | 1   |     |     |   |   |
| 7    | 2    | 22512-070120 | KEY 7X 12            | 1   | 1   | 1   | 1   |     |     |   |   |
| 8    | 1    | 128170-21200 | GEAR, CRANKSHAFT     | 1   | 1   | 1   | 1   |     |     |   |   |
| 9    | 1    | 128170-21250 | WASHER, THRUST       | 1   | 1   | 1   | 1   |     |     |   |   |
| 10   | 1    | 121450-21540 | NUT, CRANKSHAFT GEAR | 1   | 1   | 1   | 1   |     |     |   |   |
| 11   | 1    | 128170-21650 | V-PULLEY             | 1   | 1   | 1   | 1   |     |     |   |   |
| 12   | 1    | 26776-180002 | NUT M18.LOCK         | 1   | 1   | 1   | 1   |     |     |   |   |
| 13   | 1    | 128171-21590 | FLYWHEEL W/RING GEAR | 1   | 1   | 1   | 1   |     |     |   |   |
| 15   | 2    | 124950-21600 | GEAR, RING           | 1   | 1   | 1   | 1   |     |     |   |   |
| 16   | 1    | 121574-21500 | BOLT, REAMER         | 5   | 5   | 5   | 5   |     |     |   |   |

(A)=1GM10 (D)=1GM10C  
 (B)=1GM10VE (E)=1GM10L  
 (C)=1GM10-B (F)=

Fig.22.CRANKSHAFT & FLYWHEEL

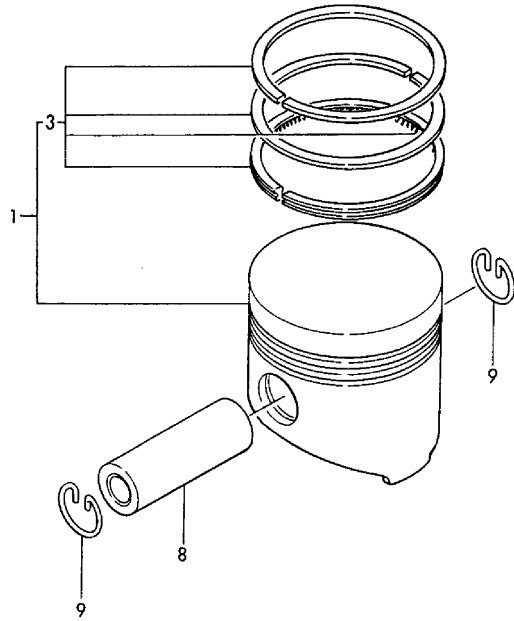
Fig. **22** クランクシャフト & フライホイール  
 CRANKSHAFT & FLYWHEEL



| REF. | LEV. | PARTS NO.    | DESCRIPTION          | QTY        |     |     |     |     |     | I | R |  |   |
|------|------|--------------|----------------------|------------|-----|-----|-----|-----|-----|---|---|--|---|
|      |      |              |                      | (A)        | (B) | (C) | (D) | (E) | (F) |   |   |  |   |
| 1    | 1    | 728171-21700 | CRANKSHAFT ASSY      |            |     |     |     |     |     |   |   |  |   |
| 5    | 2    | 22312-080160 | PARALLEL PIN 8X 16   |            |     |     |     |     |     |   |   |  |   |
| 6    | 2    | 22512-070120 | KEY 7X 12            |            |     |     |     |     |     |   |   |  |   |
| 7    | 2    | 22512-070120 | KEY 7X 12            |            |     |     |     |     |     |   |   |  |   |
| 8    | 1    | 128170-21200 | GEAR, CRANKSHAFT     |            |     |     |     |     |     |   |   |  |   |
| 9    | 1    | 128170-21250 | WASHER, THRUST       |            |     |     |     |     |     |   |   |  |   |
| 10   | 1    | 121450-21540 | NUT, CRANKSHAFT GEAR |            |     |     |     |     |     |   |   |  |   |
| 11   | 1    | 128170-21650 | V-PULLEY             |            |     |     |     |     |     |   |   |  |   |
| 12   | 1    | 26776-180002 | NUT M18.LOCK         |            |     |     |     |     |     |   |   |  |   |
| 13   | 1    | 128172-21590 | FLYWHEEL W/RING GEAR |            |     |     |     |     |     |   |   |  |   |
| I    | 13-1 | 128172-21591 | FLYWHEEL W/RING GEAR |            |     |     |     |     |     |   |   |  | N |
|      |      |              |                      | (E=E00155) |     |     |     |     |     |   |   |  |   |
| 15   | 2    | 129350-21600 | GEAR, RING           |            |     |     |     |     |     |   |   |  |   |
| 16   | 1    | 121111-21501 | BOLT, FLYWHEEL       |            |     |     |     |     |     |   |   |  |   |

Fig.23.PISTON

Fig. **23** ピストン  
PISTON



(A)=1GM10 (D)=1GM10C  
(B)=1GM10VE (E)=1GM10L  
(C)=1GM10-B (F)=

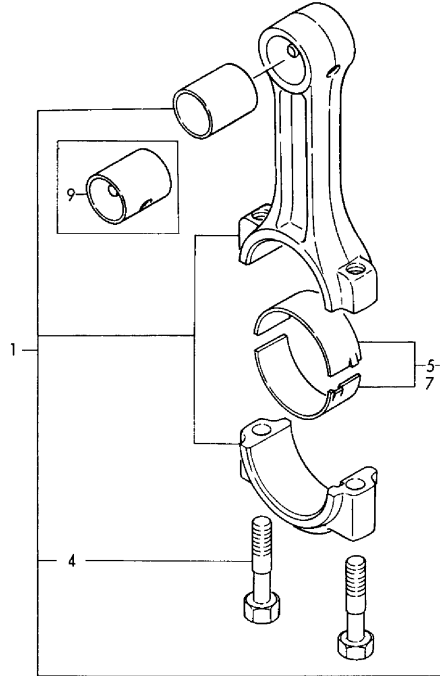
| REF. | LEV. | PARTS NO.    | DESCRIPTION    | QTY |     |     |     |     |     | I | R |
|------|------|--------------|----------------|-----|-----|-----|-----|-----|-----|---|---|
|      |      |              |                | (A) | (B) | (C) | (D) | (E) | (F) |   |   |
| 1    | 1    | 105311-22090 | PISTON W/RINGS | 1   | 1   | 1   | 1   | 1   |     |   |   |
| 3    | 2    | 705311-22500 | RING SET       | 1   | 1   | 1   | 1   | 1   |     |   |   |
| 8    | 1    | 105225-22300 | PIN, PISTON    | 1   | 1   | 1   | 1   | 1   |     |   |   |
| 9    | 1    | 105225-22400 | CIRCLIP        | 2   | 2   | 2   | 2   | 2   |     |   |   |



Fig.24.CONNECTING ROD

(A)=1GM10 (D)=1GM10C  
 (B)=1GM10VE (E)=1GM10L  
 (C)=1GM10-B (F)=

Fig. **24** コネクティングロッド  
 CONNECTING ROD



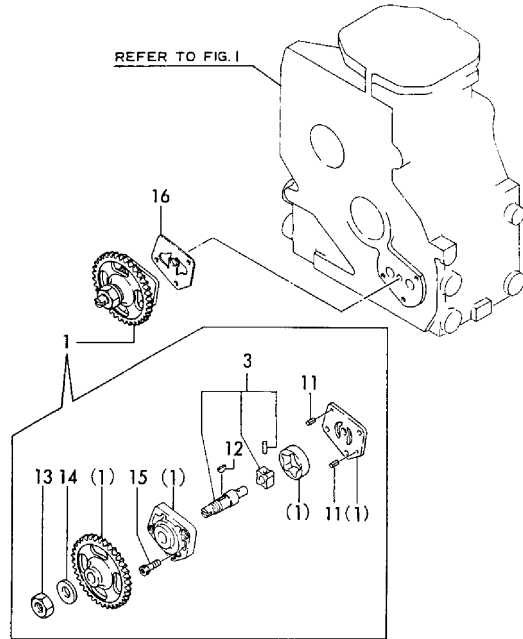
| REF.  | LEV. | PARTS NO.    | DESCRIPTION          | QTY |     |     |     |     |     | I | R |
|-------|------|--------------|----------------------|-----|-----|-----|-----|-----|-----|---|---|
|       |      |              |                      | (A) | (B) | (C) | (D) | (E) | (F) |   |   |
| 1     | 1    | 728171-23100 | ROD ASSY, CONNECTING | 1   | 1   | 1   | 1   | 1   |     |   |   |
| 4     | 2    | 105225-23200 | BOLT, ROD            | 2   | 2   | 2   | 2   | 2   |     |   |   |
| 5     | 2    | 705311-23600 | METAL, CRANKPIN      | 1   | 1   | 1   | 1   | 1   |     |   |   |
| 7     | 1    | 124901-23340 | BEARING, 0.25US      | 1   | 1   | 1   | 1   | 1   |     |   | M |
| I 7-1 | 1    | 105311-23380 | METAL, PIN US=0.25   | 1   | 1   | 1   | 1   | 1   |     |   | 1 |
| 9     | 1    | 105225-23180 | BUSH, PISTON PIN *   | 1   | 1   | 1   | 1   | 1   |     |   | 2 |

Remarks  
 (1) UNDER-SIZED(U.S=0.25)PART  
 (2) REPAIR PART  
 (M) MISPRINT:REFER TO THE NEXT ITEM.

Fig.25.LUB.OIL PUMP

(A)=1GM10 (D)=1GM10C  
 (B)=1GM10VE (E)=1GM10L  
 (C)=1GM10-B (F)=

Fig. 25 潤滑油ポンプ  
 LUB.OIL PUMP

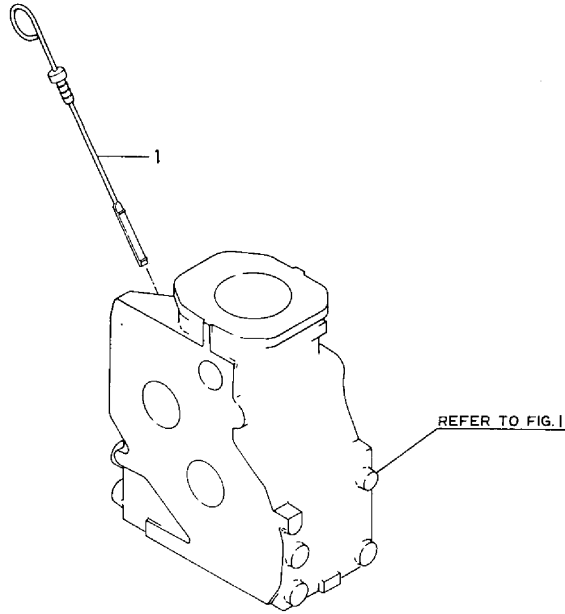


| REF. | LEV. | PARTS NO.    | DESCRIPTION          | QTY |     |     |     |     |     | I | R |
|------|------|--------------|----------------------|-----|-----|-----|-----|-----|-----|---|---|
|      |      |              |                      | (A) | (B) | (C) | (D) | (E) | (F) |   |   |
| 1    | 1    | 728170-32100 | PUMP ASSY, LUB. OIL  | 1   | 1   | 1   | 1   | 1   |     |   |   |
| 3    | 2    | 728170-32500 | ROTOR ASSY, LUB. OIL | 1   | 1   | 1   | 1   | 1   |     |   |   |
| 11   | 2    | 22351-040008 | SPRING PIN 4X 8      | 2   | 2   | 2   | 2   | 2   |     |   |   |
| 12   | 2    | 22522-030100 | WOODRUFF KEY 3X10    | 1   | 1   | 1   | 1   | 1   |     |   |   |
| 13   | 2    | 26776-120002 | LOCK NUT M12 PLATED  | 1   | 1   | 1   | 1   | 1   |     |   |   |
| 14   | 2    | 22117-120000 | WASHER 12            | 1   | 1   | 1   | 1   | 1   |     |   |   |
| 15   | 2    | 26450-060182 | BOLT M 6X 18         | 3   | 3   | 3   | 3   | 3   |     |   |   |
| 16   | 1    | 128170-32030 | GASKET               | 1   | 1   | 1   | 1   | 1   |     |   |   |

Fig.26.LUB.OIL DIPSTICK

|             |            |
|-------------|------------|
| (A)=1GM10   | (D)=1GM10C |
| (B)=1GM10VE | (E)=1GM10L |
| (C)=1GM10-B | (F)=       |

Fig. **26** 検油棒  
LUB.OIL DIPSTICK

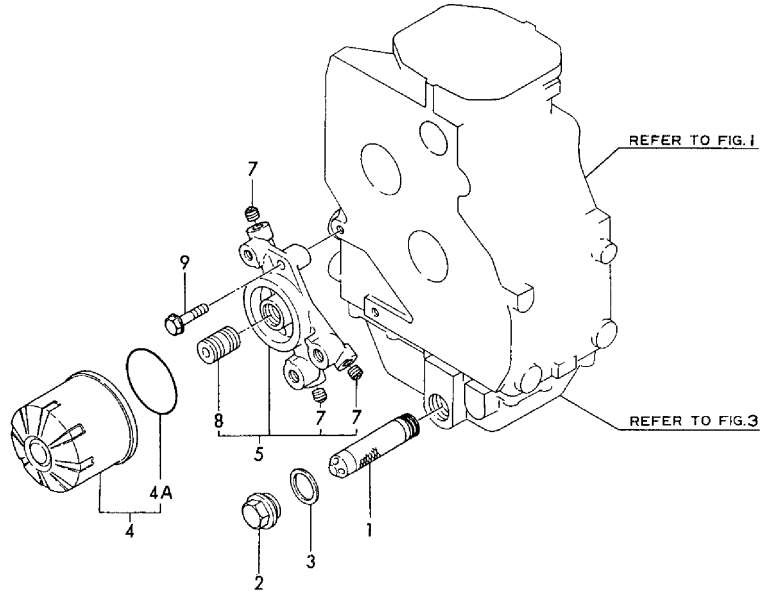


| REF. | LEV. | PARTS NO. | DESCRIPTION  | QTY                |     |     |     |     |     | I | R |
|------|------|-----------|--------------|--------------------|-----|-----|-----|-----|-----|---|---|
|      |      |           |              | (A)                | (B) | (C) | (D) | (E) | (F) |   |   |
| I    | 1    | 1         | 128170-34800 | DIPSTICK, LUB. OIL | 1   | 1   | 1   | 1   | 1   |   |   |

(A)=1GM10 (D)=1GM10C  
 (B)=1GM10VE (E)=1GM10L  
 (C)=1GM10-B (F)=

Fig.27.LUB.OIL STRAINER

Fig. 27 潤滑油フィルタ  
 LUB.OIL STRAINER

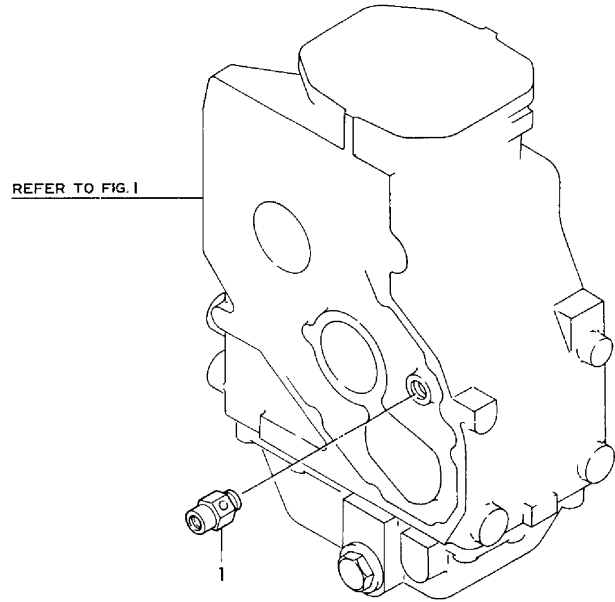


| REF. | LEV. | PARTS NO.    | DESCRIPTION         | QTY                  |            |     |     |     |     | I | R |
|------|------|--------------|---------------------|----------------------|------------|-----|-----|-----|-----|---|---|
|      |      |              |                     | (A)                  | (B)        | (C) | (D) | (E) | (F) |   |   |
| 1    | 1    | 105430-35010 | ELEMENT, LUB OIL    | 1                    | 1          | 1   | 1   | 1   |     |   |   |
| 2    | 1    | 105430-01690 | PLUG, DRAIN         | 1                    | 1          | 1   | 1   | 1   |     |   |   |
| 3    | 1    | 43400-500570 | SEAL WASHER 24S     | 1                    |            | 1   | 1   | 1   |     |   |   |
| I    | 3-1  | 22190-240002 | SEAL WASHER 24S     | 1                    | 1          | 1   | 1   | 1   |     |   | N |
|      |      | (A=E12740)   | (C=E01195)          | (D=E01385)           | (E=E00731) |     |     |     |     |   |   |
| 4    | 1    | 124450-35100 | FILTER, LUB. OIL    | 1                    |            | 1   | 1   | 1   |     |   |   |
| I    | 4-1  | 119660-35150 | FILTER, LUB. OIL    | 1                    | 1          | 1   | 1   | 1   |     |   | N |
|      |      | (A=E10132)   | (C=E01032)          | (D=E01035)           | (E=E00349) |     |     |     |     |   |   |
| I    | 4A   | 2            | 124450-35110        | O-RING, L.O.STRAINER | 1          | 1   | 1   | 1   | 1   |   | W |
|      |      | (A=E0000)    | (C=E0000)           | (D=E0000)            | (E=E0000)  |     |     |     |     |   |   |
| 5    | 1    | 728170-35800 | BRACKET ASSY        | 1                    | 1          | 1   | 1   | 1   |     |   |   |
| 7    | 2    | 124060-01050 | PLUG PT1/8          | 3                    | 3          | 3   | 3   | 3   |     |   |   |
| 8    | 2    | 105225-35290 | BOLT                | 1                    | 1          | 1   | 1   | 1   |     |   |   |
| 9    | 1    | 26106-080352 | BOLT M 8X 35 PLATED | 2                    | 2          | 2   | 2   | 2   |     |   |   |

Fig.28.L.O.PRESS.REGULATING VALVE

(A)=1GM10 (D)=1GM10C  
 (B)=1GM10VE (E)=1GM10L  
 (C)=1GM10-B (F)=

Fig. **28** 潤滑油調圧弁  
 L.O.PRESS.REGULATING VALVE

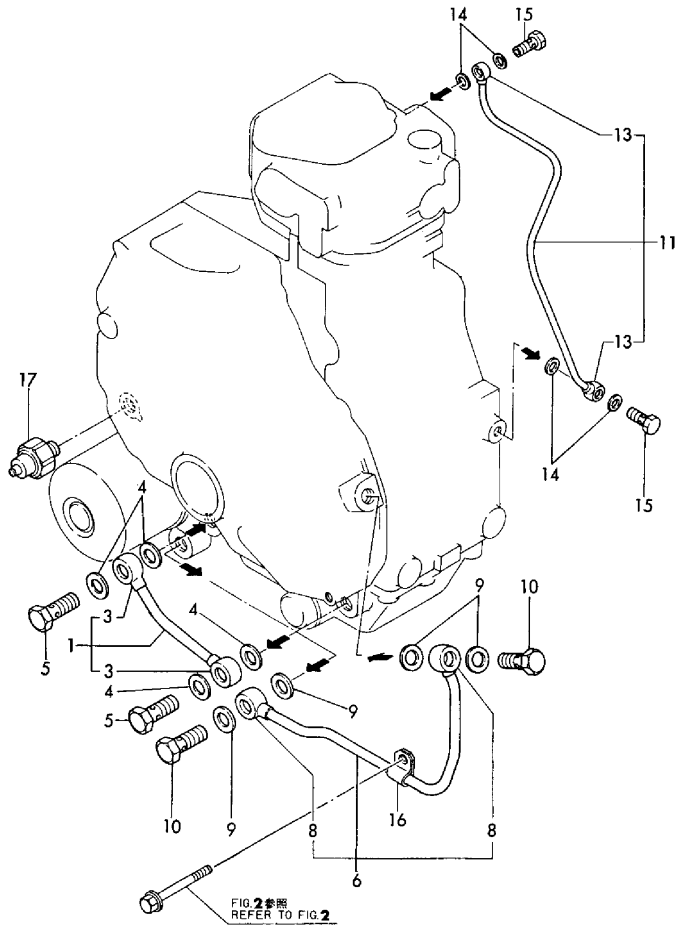


| REF. | LEV. | PARTS NO.    | DESCRIPTION         | Q'TY |     |     |     |     |     | I | R |
|------|------|--------------|---------------------|------|-----|-----|-----|-----|-----|---|---|
|      |      |              |                     | (A)  | (B) | (C) | (D) | (E) | (F) |   |   |
| 1    | 1    | 105225-35300 | VALVE ASSY, CONTROL | 1    | 1   | 1   | 1   | 1   |     |   |   |
|      |      |              |                     |      |     |     |     |     |     |   |   |
|      |      |              |                     |      |     |     |     |     |     |   |   |
|      |      |              |                     |      |     |     |     |     |     |   |   |
|      |      |              |                     |      |     |     |     |     |     |   |   |
|      |      |              |                     |      |     |     |     |     |     |   |   |
|      |      |              |                     |      |     |     |     |     |     |   |   |
|      |      |              |                     |      |     |     |     |     |     |   |   |
|      |      |              |                     |      |     |     |     |     |     |   |   |
|      |      |              |                     |      |     |     |     |     |     |   |   |
|      |      |              |                     |      |     |     |     |     |     |   |   |
|      |      |              |                     |      |     |     |     |     |     |   |   |
|      |      |              |                     |      |     |     |     |     |     |   |   |
|      |      |              |                     |      |     |     |     |     |     |   |   |
|      |      |              |                     |      |     |     |     |     |     |   |   |
|      |      |              |                     |      |     |     |     |     |     |   |   |
|      |      |              |                     |      |     |     |     |     |     |   |   |
|      |      |              |                     |      |     |     |     |     |     |   |   |
|      |      |              |                     |      |     |     |     |     |     |   |   |
|      |      |              |                     |      |     |     |     |     |     |   |   |
|      |      |              |                     |      |     |     |     |     |     |   |   |
|      |      |              |                     |      |     |     |     |     |     |   |   |
|      |      |              |                     |      |     |     |     |     |     |   |   |
|      |      |              |                     |      |     |     |     |     |     |   |   |

Fig.29.LUB.OIL LINE

(A)=1GM10 (D)=1GM10C  
 (B)=1GM10VE (E)=1GM10L  
 (C)=1GM10-B (F)=

Fig. 29 潤滑油パイプ  
 LUB.OIL PIPE

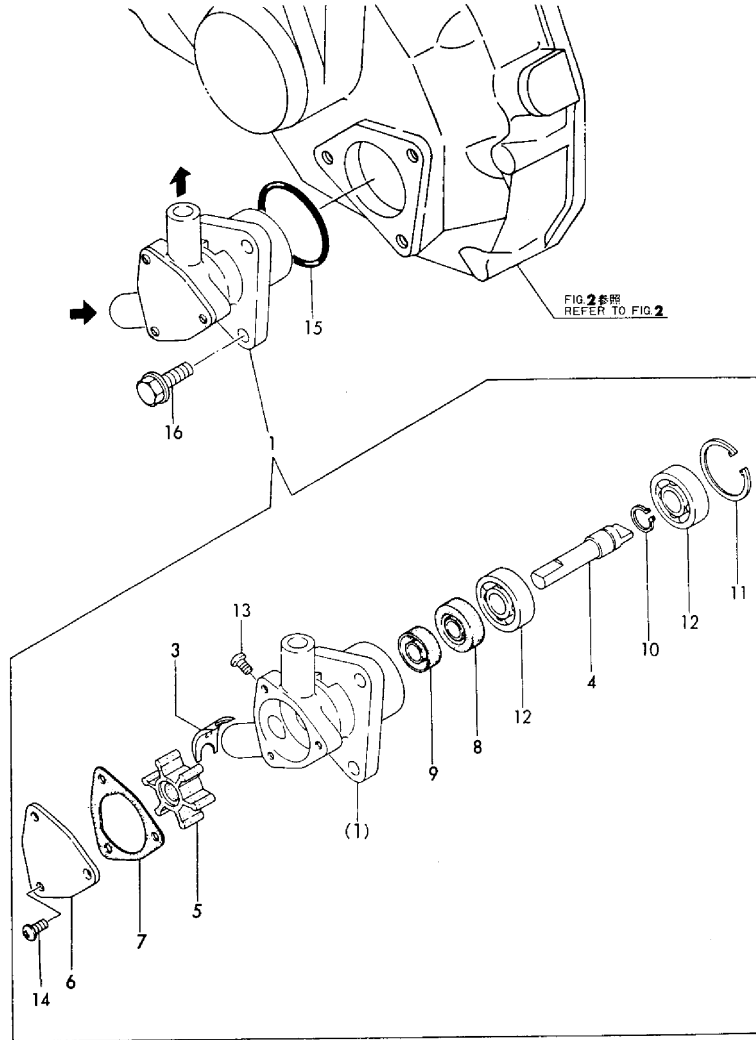


| REF. | LEV. | PARTS NO.    | DESCRIPTION          | QTY |     |     |     |     |     | I | R |
|------|------|--------------|----------------------|-----|-----|-----|-----|-----|-----|---|---|
|      |      |              |                      | (A) | (B) | (C) | (D) | (E) | (F) |   |   |
| 1    | 1    | 128170-39010 | PIPE (B), LUB OIL    | 1   | 1   | 1   | 1   | 1   |     |   |   |
| 3    | 2    | 103854-39540 | JOINT, PIPE          | 2   | 2   | 2   | 2   | 2   |     |   |   |
| 4    | 1    | 23414-120000 | GASKET 12, ROUND     | 4   | 4   | 4   | 4   | 4   |     |   |   |
| 5    | 1    | 103854-39140 | BOLT, PIPE JOINT     | 2   | 2   | 2   | 2   | 2   |     |   |   |
| 6    | 1    | 128170-39020 | PIPE, LUB OIL        | 1   | 1   | 1   | 1   | 1   |     |   |   |
| 8    | 2    | 103854-39540 | JOINT, PIPE          | 2   | 2   | 2   | 2   | 2   |     |   |   |
| 9    | 1    | 23414-120000 | GASKET 12, ROUND     | 4   | 4   | 4   | 4   | 4   |     |   |   |
| 10   | 1    | 103854-39140 | BOLT, PIPE JOINT     | 2   | 2   | 2   | 2   | 2   |     |   |   |
| 11   | 1    | 128170-39200 | PIPE, LUB OIL        | 1   | 1   | 1   | 1   | 1   |     |   |   |
| 13   | 2    | 103288-39170 | JOINT 8              | 2   | 2   | 2   | 2   | 2   |     |   |   |
| 14   | 1    | 23414-080000 | GASKET 8, ROUND      | 4   | 4   | 4   | 4   | 4   |     |   |   |
| 15   | 1    | 101147-59810 | BOLT 8, PIPE JOINT   | 2   | 2   | 2   | 2   | 2   |     |   |   |
| 16   | 1    | 105582-39140 | RETAINER (A)         | 1   | 1   | 1   | 1   | 1   |     |   |   |
| 17   | 1    | 124060-39451 | SENDER, OIL PRESSURE | 1   | 1   | 1   | 1   | 1   |     |   |   |

(A)=1GM10 (D)=1GM10C  
 (B)=1GM10VE (E)=1GM10L  
 (C)=1GM10-B (F)=

Fig.30.COOLING SEA WATER PUMP

Fig.30 冷却水ポンプ(海水)  
 COOLING SEA WATER PUMP

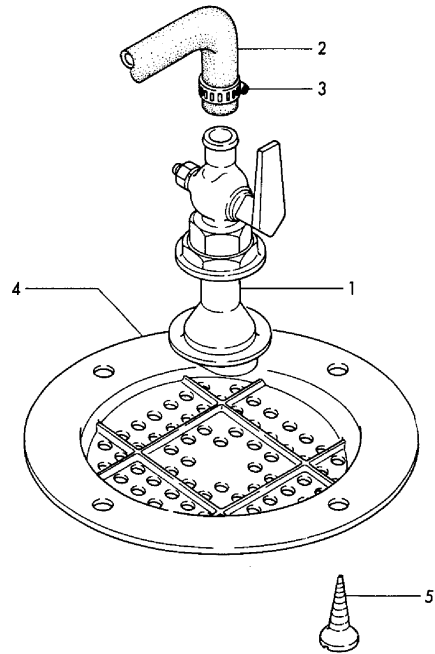


| REF.   | LEV. | PARTS NO.                  | DESCRIPTION                                  | QTY |     |     |     |     |     | I | R |
|--------|------|----------------------------|--|-----|-----|-----|-----|-----|-----|---|---|
|        |      |                            |  | (A) | (B) | (C) | (D) | (E) | (F) |   |   |
| 1      | 1    | 128170-42000               | PUMP ASSY, C. WATER                          | 1   | 1   | 1   | 1   |     |     |   |   |
| I 1-1  | 1    | 128170-42200<br>(A=E12740) | PUMP ASSY, C. WATER<br>(C=E01195) (D=E01385) | 1   | 1   | 1   | 1   | 1   |     |   | N |
| I 3    | 2    | 128170-42050<br>(A=E12740) | CAM<br>(C=E01195) (D=E01385)                 | 1   | 1   | 1   | 1   | 1   |     |   | Z |
| 4      | 2    | 128170-42060               | SHAFT, IMPELLER                              | 1   | 1   | 1   | 1   | 1   |     |   |   |
| 5      | 2    | 128170-42070               | IMPELLER, C. WATER                           | 1   | 1   | 1   | 1   | 1   |     |   |   |
| 6      | 2    | 128170-42080               | COVER, END                                   | 1   | 1   | 1   | 1   | 1   |     |   |   |
| 7      | 2    | 128170-42090               | GASKET                                       | 1   | 1   | 1   | 1   | 1   |     |   |   |
| 8      | 2    | 128170-42110               | SEAL TC8 22 7, OIL                           | 1   | 1   | 1   | 1   | 1   |     |   |   |
| 9      | 2    | 124240-91450               | SEAL, OIL                                    | 1   |     | 1   | 1   | 1   |     |   |   |
| I 9-1  | 2    | 128170-42120<br>(A=E06896) | SEAL, OIL<br>(C=E00697) (D=E00700)           | 1   | 1   | 1   | 1   | 1   |     |   | N |
| 10     | 2    | 22242-000100               | CIRCLIP 10                                   | 1   | 1   | 1   | 1   | 1   |     |   |   |
| 11     | 2    | 22252-000260               | CIRCLIP 26                                   | 1   | 1   | 1   | 1   | 1   |     |   |   |
| 12     | 2    | 24101-060004               | BALL BEARING                                 | 2   | 2   | 2   | 2   | 2   |     |   |   |
| I 13   | 2    | 26554-040062<br>(A=E12740) | SCREW M 4X 6<br>(C=E01195) (D=E01385)        | 1   |     | 1   | 1   | 1   |     |   | Z |
| 14     | 2    | 26554-040082               | SCREW M 4X 8                                 | 3   |     | 3   | 3   | 3   |     |   |   |
| I 14-1 | 2    | 26113-040082<br>(A=E12740) | BOLT<br>(C=E01195) (D=E01385)                | 3   |     | 3   | 3   | 3   |     |   | N |
| 15     | 1    | 24321-000350               | O-RING 1A G-35.0                             | 1   | 1   | 1   | 1   | 1   |     |   |   |
| 16     | 1    | 26106-060182               | BOLT M 6X 18 PLATED                          | 3   | 3   | 3   | 3   | 3   |     |   |   |

(A)=1GM10 (D)=1GM10C  
 (B)=1GM10VE (E)=1GM10L  
 (C)=1GM10-B (F)=

Fig.31.KINGSTON COCK

Fig. **31** キングストンコック  
 KINGSTON COCK



| REF. | LEV. | PARTS NO.    | DESCRIPTION          | QTY |     |     |     |     |     | I | R |
|------|------|--------------|----------------------|-----|-----|-----|-----|-----|-----|---|---|
|      |      |              |                      | (A) | (B) | (C) | (D) | (E) | (F) |   |   |
| 1    | 1    | 43662-010030 | COCK ASSY, SEA WATER | 1   | 1   | 1   | 1   |     |     |   | 1 |
| 2    | 1    | 104211-49080 | PIPE, COOLING WATER  | 1   | 1   | 1   | 1   |     |     |   | 1 |
| 3    | 1    | 23000-022000 | CLAMP 22             | 3   | 3   | 3   | 3   |     |     |   | 1 |
| 4    | 1    | 43666-020951 | COVER, STRAINER      | 1   | 1   | 1   | 1   |     |     |   | 1 |
| 5    | 1    | 22724-800380 | SCREW 8X 38          | 4   | 4   | 4   | 4   |     |     |   | 1 |

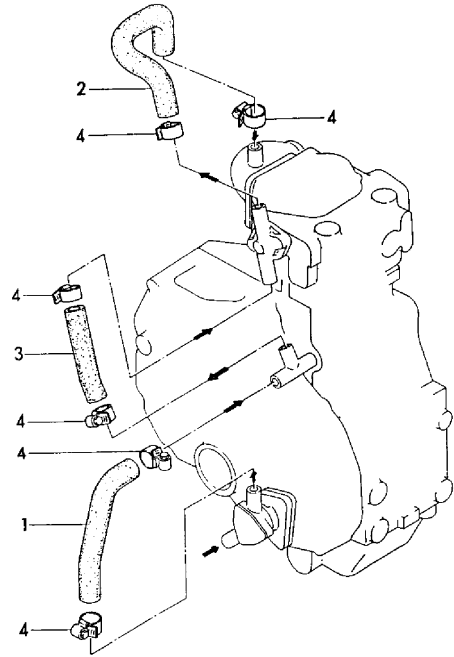
Remarks  
 (1) 1GM10,1GM10VE,1GM10C,1GM10L IS  
 OPTIONAL



(A)=1GM10 (D)=1GM10C  
 (B)=1GM10VE (E)=1GM10L  
 (C)=1GM10-B (F)=

Fig.32.COOLING WATER LINE

Fig. **32** 冷却水パイプ(海水)  
 COOLING SEA WATER PIPE



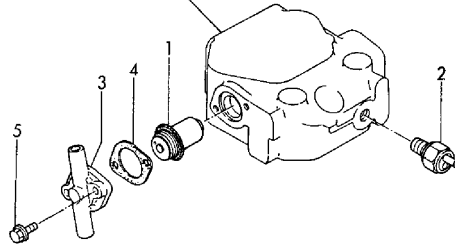
| REF. | LEV. | PARTS NO.    | DESCRIPTION         | Q'TY |     |     |     |     |     | I | R |
|------|------|--------------|---------------------|------|-----|-----|-----|-----|-----|---|---|
|      |      |              |                     | (A)  | (B) | (C) | (D) | (E) | (F) |   |   |
| 1    | 1    | 128170-49010 | PIPE, COOLING WATER | 1    |     | 1   | 1   | 1   |     |   |   |
| 2    | 1    | 128170-49040 | PIPE, COOLING WATER | 1    | 1   | 1   | 1   | 1   | 1   |   |   |
| 3    | 1    | 128170-49050 | PIPE, COOLING WATER | 1    | 1   | 1   | 1   | 1   | 1   |   |   |
| 4    | 1    | 23000-022000 | CLAMP 22            | 6    | 4   | 6   | 6   | 6   | 6   |   |   |

Fig.33.THERMOSTAT

(A)=1GM10 (D)=1GM10C  
 (B)=1GM10VE (E)=1GM10L  
 (C)=1GM10-B (F)=

Fig. **33** サーモスタット  
 THERMOSTAT

REFER TO FIG.15



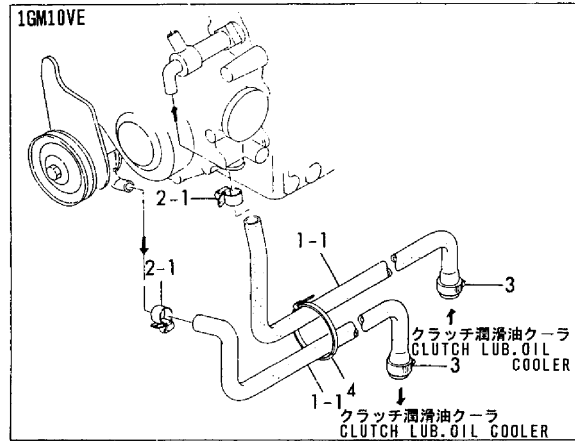
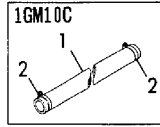
| REF. | LEV. | PARTS NO.    | DESCRIPTION         | Q'TY |     |     |     |     |     | I | R |
|------|------|--------------|---------------------|------|-----|-----|-----|-----|-----|---|---|
|      |      |              |                     | (A)  | (B) | (C) | (D) | (E) | (F) |   |   |
| 1    | 1    | 105582-49200 | THERMOSTAT          | 1    | 1   | 1   | 1   | 1   |     |   |   |
| 2    | 1    | 128275-91340 | SWITCH, THERMO(65C  | 1    | 1   | 1   | 1   | 1   |     |   |   |
| 3    | 1    | 128170-49150 | COVER, THERMOSTAT   | 1    | 1   | 1   | 1   | 1   |     |   |   |
| 4    | 1    | 104211-49160 | PACKING             | 1    | 1   | 1   | 1   | 1   |     |   |   |
| 5    | 1    | 26106-060202 | BOLT M 6X 20 PLATED | 2    | 2   | 2   | 2   | 2   |     |   |   |

Fig.34.COOLING WATER LINE(OPTIONAL)

Y00F5041 34.COOLING WATER LINE(OPTIONAL)

(A)=1GM10 (D)=1GM10C  
 (B)=1GM10VE (E)=1GM10L  
 (C)=1GM10-B (F)=

Fig. 34 冷却水パイプ(海水)(オプション)  
 COOLING SEA WATER PIPE(OPTIONAL)

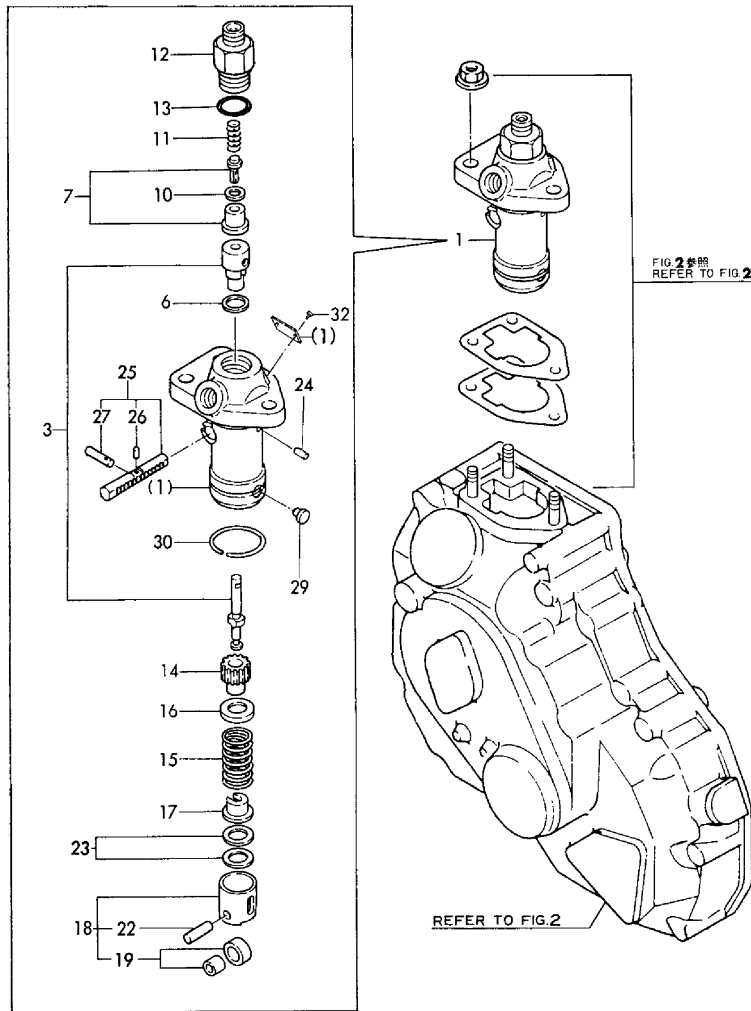


| REF.  | LEV. | PARTS NO.    | DESCRIPTION                       | Q'TY |     |     |     |     |     | I | R |  |
|-------|------|--------------|-----------------------------------|------|-----|-----|-----|-----|-----|---|---|--|
|       |      |              |                                   | (A)  | (B) | (C) | (D) | (E) | (F) |   |   |  |
| 1     | 1    | 128170-49080 | PIPE, COOLING WATER               |      |     |     | 1   |     |     |   |   |  |
| I 1-1 | 1    | 128170-49081 | PIPE, COOLING WATER<br>(D=E00231) |      |     | 2   | 1   |     |     |   | N |  |
| 2     | 1    | 23000-022000 | CLAMP 22                          |      |     |     | 2   |     |     |   |   |  |
| I 2-1 | 1    | 23000-022000 | CLAMP 22<br>(D=E00231)            |      |     |     | 2   |     |     |   | K |  |
| I 3   | 1    | 23000-025000 | CLAMP 25<br>(D=E00231)            |      |     | 2   | 1   |     |     |   | W |  |
| 4     | 1    | 121750-59890 | RETAINER                          |      |     | 1   |     |     |     |   |   |  |

Fig.35.FUEL INJECTION PUMP

(A)=1GM10 (D)=1GM10C  
 (B)=1GM10VE (E)=1GM10L  
 (C)=1GM10-B (F)=

Fig. **35** 燃料噴射ポンプ  
 FUEL INJECTION PUMP

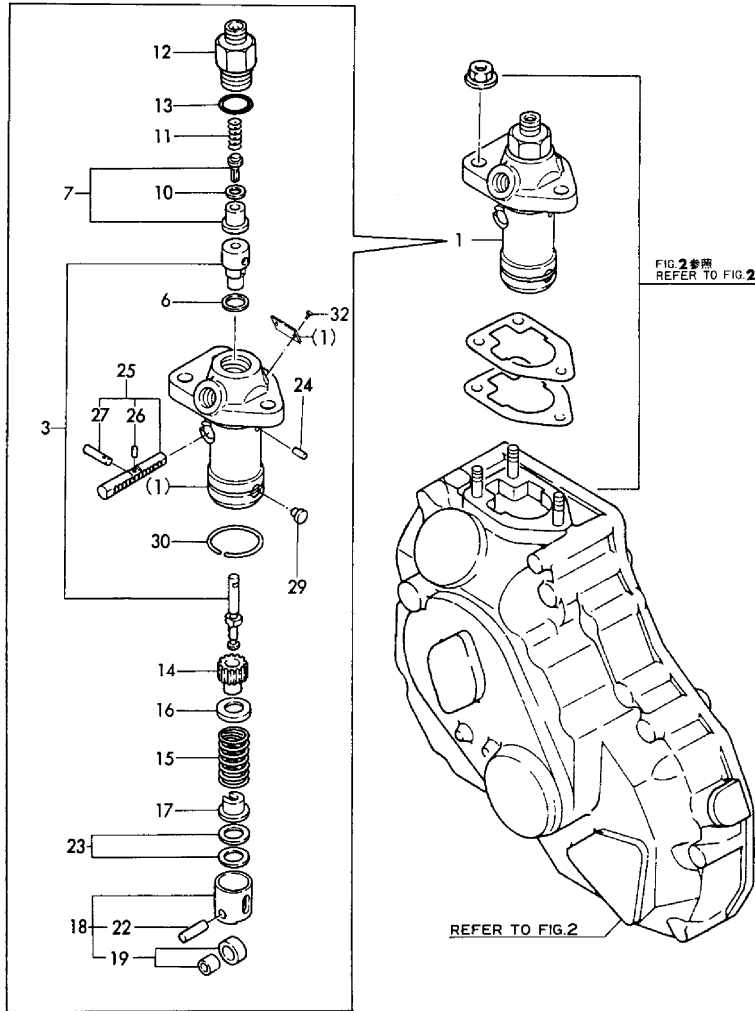


| REF. | LEV. | PARTS NO.    | DESCRIPTION          | QTY |     |     |     |     |     | I | R |
|------|------|--------------|----------------------|-----|-----|-----|-----|-----|-----|---|---|
|      |      |              |                      | (A) | (B) | (C) | (D) | (E) | (F) |   |   |
| 1    | 1    | 728171-51100 | PUMP ASSY. F.INJECT. | 1   | 1   | 1   | 1   |     |     |   |   |
| 3    | 2    | 128170-51101 | PLUNGER W/BARREL     | 1   | 1   | 1   | 1   |     |     |   |   |
| 6    | 2    | 124950-51270 | GASKET               | 1   | 1   | 1   | 1   |     |     |   |   |
| 7    | 2    | 128170-51300 | VALVE W/SEAT, DELIV. | 1   | 1   | 1   | 1   |     |     |   |   |
| 10   | 2    | 124550-51350 | GASKET, DELIVERY     | 1   | 1   | 1   | 1   |     |     |   |   |
| 11   | 2    | 124550-51320 | SPRING, DELIV. VALVE | 1   | 1   | 1   | 1   |     |     |   |   |
| 12   | 2    | 124550-51341 | RETAINER             | 1   | 1   | 1   | 1   |     |     |   |   |
| 13   | 2    | 124550-51370 | O-RING, DELIVERY     | 1   | 1   | 1   | 1   |     |     |   |   |
| 14   | 2    | 124950-51510 | PINION               | 1   | 1   | 1   | 1   |     |     |   |   |
| 15   | 2    | 124950-51190 | SPRING, PLUNGER      | 1   | 1   | 1   | 1   |     |     |   |   |
| 16   | 2    | 174307-51170 | RETAINER A           | 1   | 1   | 1   | 1   |     |     |   |   |
| 17   | 2    | 174307-51181 | RETAINER B           | 1   | 1   | 1   | 1   |     |     |   |   |
| 18   | 2    | 724550-51520 | GUIDE, PLUNGER       | 1   | 1   | 1   | 1   |     |     |   |   |
| 19   | 3    | 711100-51540 | ROLLER ASSY          | 1   | 1   | 1   | 1   |     |     |   |   |
| 22   | 3    | 174100-54120 | PIN, ROLLER          | 1   | 1   | 1   | 1   |     |     |   |   |
| 23   | 2    | 174307-51700 | SHIM SET             | 1   | 1   | 1   | 1   |     |     |   |   |
| 24   | 2    | 103854-51251 | PIN, PLUNGER         | 1   | 1   | 1   | 1   |     |     |   |   |
| 25   | 2    | 128170-51500 | RACK, CONTROL        | 1   | 1   | 1   | 1   |     |     |   |   |
| 26   | 3    | 121450-51550 | PIN                  | 1   | 1   | 1   | 1   |     |     |   |   |
| 27   | 3    | 124550-51590 | LOCKER               | 1   | 1   | 1   | 1   |     |     |   |   |
| 29   | 2    | 104271-51450 | PIECE, GUIDE         | 1   | 1   | 1   | 1   |     |     |   |   |
| 30   | 2    | 104271-51460 | CIRCLIP              | 1   | 1   | 1   | 1   |     |     |   |   |
| 32   | 2    | 124220-51890 | RIVET, LABEL         | 2   | 2   | 2   | 2   |     |     |   |   |

Fig.36.FUEL INJECTION PUMP

(A)=1GM10 (D)=1GM10C  
 (B)=1GM10VE (E)=1GM10L  
 (C)=1GM10-B (F)=

Fig.36 燃料噴射ポンプ  
 FUEL INJECTION PUMP

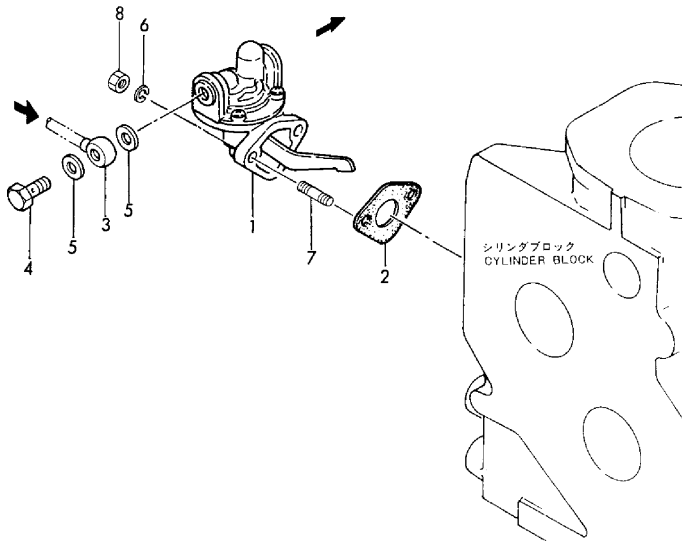


| REF. | LEV. | PARTS NO.    | DESCRIPTION          | QTY                  |     |     |     |     |     | I | R |  |
|------|------|--------------|----------------------|----------------------|-----|-----|-----|-----|-----|---|---|--|
|      |      |              |                      | (A)                  | (B) | (C) | (D) | (E) | (F) |   |   |  |
| 1    | 1    | 728173-51100 | PUMP ASSY. F.INJECT. |                      |     |     |     |     |     |   | 1 |  |
| I    | 3    | 2            | 121454-51100         | PLUNGER W/BARREL     |     |     |     |     |     |   | 1 |  |
| I    | 6    | 2            | 124950-51270         | GASKET               |     |     |     |     |     |   | 1 |  |
| I    | 7    | 2            | 128170-51300         | VALVE W/SEAT, DELIV. |     |     |     |     |     |   | 1 |  |
| I    | 10   | 2            | 124550-51350         | GASKET, DELIVERY     |     |     |     |     |     |   | 1 |  |
| I    | 11   | 2            | 124550-51320         | SPRING, DELIV. VALVE |     |     |     |     |     |   | 1 |  |
| I    | 12   | 2            | 124550-51341         | RETAINER             |     |     |     |     |     |   | 1 |  |
| I    | 13   | 2            | 124550-51370         | O-RING, DELIVERY     |     |     |     |     |     |   | 1 |  |
| I    | 14   | 2            | 124950-51510         | PINION               |     |     |     |     |     |   | 1 |  |
| I    | 15   | 2            | 124950-51190         | SPRING, PLUNGER      |     |     |     |     |     |   | 1 |  |
| I    | 16   | 2            | 174307-51170         | RETAINER A           |     |     |     |     |     |   | 1 |  |
| I    | 17   | 2            | 174307-51181         | RETAINER B           |     |     |     |     |     |   | 1 |  |
|      | 18   | 2            | 724550-51520         | GUIDE, PLUNGER       |     |     |     |     |     |   | 1 |  |
|      | 19   | 3            | 711100-51540         | ROLLER ASSY          |     |     |     |     |     |   | 1 |  |
| I    | 22   | 3            | 174100-54120         | PIN, ROLLER          |     |     |     |     |     |   | 1 |  |
| I    | 23   | 2            | 174307-51700         | SHIM SET             |     |     |     |     |     |   | 1 |  |
| I    | 24   | 2            | 103854-51251         | PIN, PLUNGER         |     |     |     |     |     |   | 1 |  |
| I    | 25   | 2            | 128170-51500         | RACK, CONTROL        |     |     |     |     |     |   | 1 |  |
|      | 26   | 3            | 121450-51550         | PIN                  |     |     |     |     |     |   | 1 |  |
|      | 27   | 3            | 124550-51590         | LOCKER               |     |     |     |     |     |   | 1 |  |
| I    | 29   | 2            | 104271-51450         | PIECE, GUIDE         |     |     |     |     |     |   | 1 |  |
| I    | 30   | 2            | 104271-51460         | CIRCLIP              |     |     |     |     |     |   | 1 |  |
| I    | 32   | 2            | 124220-51890         | RIVET, LABEL         |     |     |     |     |     |   | 2 |  |

(A)=1GM10 (D)=1GM10C  
 (B)=1GM10VE (E)=1GM10L  
 (C)=1GM10-B (F)=

Fig.37.FUEL FEED PUMP

Fig. 37 燃料フィードポンプ  
 FUEL FEED PUMP

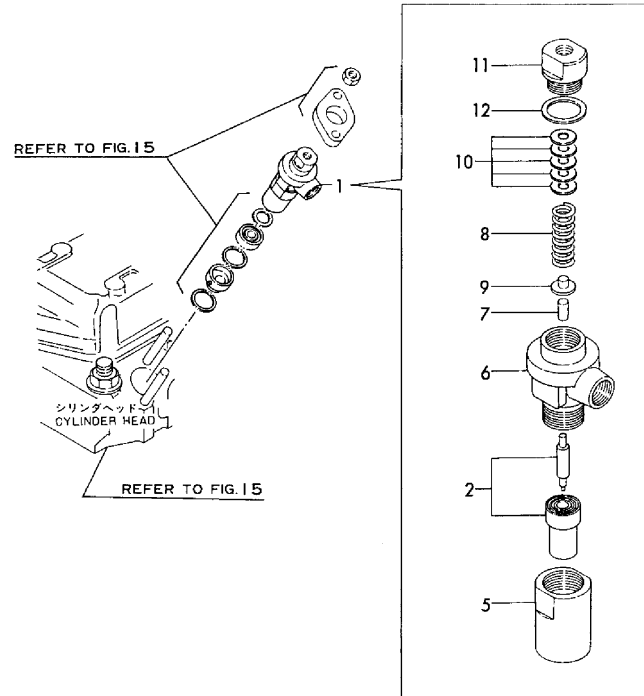


| REF. | LEV. | PARTS NO.    | DESCRIPTION          | QTY        |            |     |     |     |     | I | R |
|------|------|--------------|----------------------|------------|------------|-----|-----|-----|-----|---|---|
|      |      |              |                      | (A)        | (B)        | (C) | (D) | (E) | (F) |   |   |
| 1    | 1    | 105582-52010 | PUMP ASSY, FUEL FEED | 1          | 1          | 1   | 1   | 1   |     |   |   |
| 2    | 1    | 121520-01850 | GASKET, F.FEED PUMP  | 1          |            | 1   | 1   | 1   |     |   |   |
| I    | 2-1  | 121520-01851 | GASKET, (NON-ASB.)   | 1          | 1          | 1   | 1   | 1   |     |   | N |
|      |      | (A=E09063)   | (C=E00898)           | (D=E00908) | (E=E00341) |     |     |     |     |   |   |
| 3    | 1    | 104264-59030 | JOINT 8, PIPE        | 1          | 1          | 1   | 1   | 1   |     |   |   |
| 4    | 1    | 105582-59150 | BOLT, PIPE JOINT     | 1          | 1          | 1   | 1   | 1   |     |   |   |
| 5    | 1    | 23414-080000 | GASKET 8, ROUND      | 2          |            | 2   | 2   | 2   |     |   |   |
| I    | 5-1  | 23414-080012 | GASKET 8             | 2          | 2          | 2   | 2   | 2   |     |   | N |
|      |      | (A=E10103)   | (C=E01022)           | (D=E01018) | (E=E00349) |     |     |     |     |   |   |
| 6    | 1    | 22217-060000 | SPRING WASHER 6      | 2          | 2          | 2   | 2   | 2   |     |   |   |
| 7    | 1    | 26216-060162 | STUD M 6X 16 PLATED  | 2          | 2          | 2   | 2   | 2   |     |   |   |
| 8    | 1    | 26716-060002 | NUT 6                | 2          | 2          | 2   | 2   | 2   |     |   |   |

Fig.38.FUEL INJECTION VALVE

(A)=1GM10 (D)=1GM10C  
 (B)=1GM10VE (E)=1GM10L  
 (C)=1GM10-B (F)=

Fig.38 燃料噴射弁  
 FUEL INJECTION VALVE

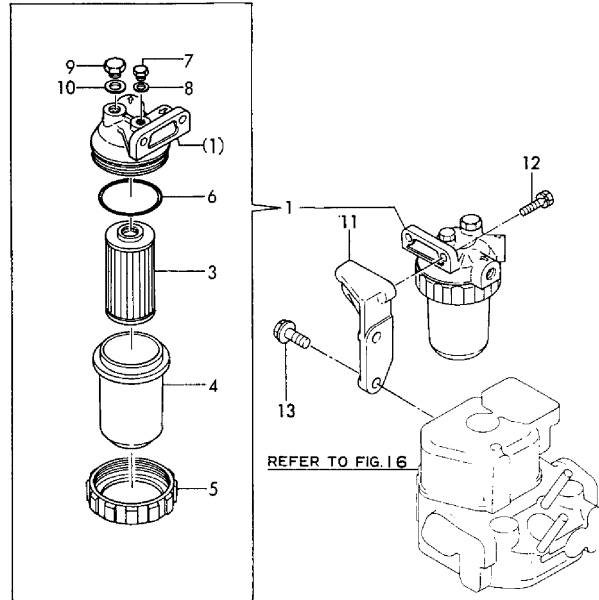


| REF. | LEV. | PARTS NO.    | DESCRIPTION          | QTY |     |     |     |     |     | I | R |
|------|------|--------------|----------------------|-----|-----|-----|-----|-----|-----|---|---|
|      |      |              |                      | (A) | (B) | (C) | (D) | (E) | (F) |   |   |
| 1    | 1    | 728170-53100 | VALVE ASSY, F.INJECT | 1   | 1   | 1   | 1   | 1   |     |   |   |
| 2    | 2    | 124770-53000 | NOZZLE ASSY,F.INJECT | 1   | 1   | 1   | 1   | 1   |     |   |   |
| 5    | 2    | 128170-53080 | HOLDER, VALVE W/CASE | 1   | 1   | 1   | 1   | 1   |     |   |   |
| 6    | 2    | 103854-53100 | BODY, F.I. VALVE     | 1   | 1   | 1   | 1   | 1   |     |   |   |
| 7    | 2    | 113200-53110 | SPINDLE, INTER       | 1   | 1   | 1   | 1   | 1   |     |   |   |
| 8    | 2    | 104211-53120 | SPRING, NOZZLE       | 1   | 1   | 1   | 1   | 1   |     |   |   |
| 9    | 2    | 113200-53120 | SHOE, SPRING         | 1   | 1   | 1   | 1   | 1   |     |   |   |
| 10   | 2    | 110250-53150 | SHIM SET             | 1   | 1   | 1   | 1   | 1   |     |   |   |
| 11   | 2    | 103854-53180 | RETAINER, NOZ.SPRING | 1   | 1   | 1   | 1   | 1   |     |   |   |
| 12   | 2    | 172100-53200 | GASKET               | 1   | 1   | 1   | 1   | 1   |     |   |   |

(A)=1GM10 (D)=1GM10C  
 (B)=1GM10VE (E)=1GM10L  
 (C)=1GM10-B (F)=

Fig.39.FUEL STRAINER

Fig. 39 燃料フィルタ  
 FUEL STRAINER



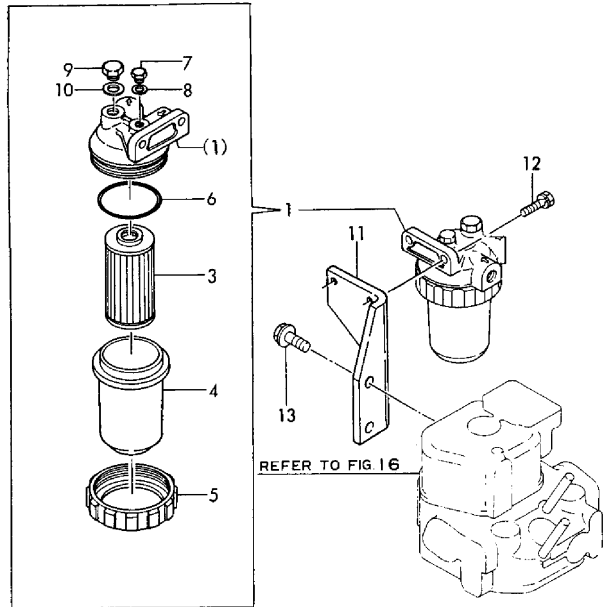
| REF. | LEV. | PARTS NO.    | DESCRIPTION         | QTY      |     |     |     |     |     | I | R |
|------|------|--------------|---------------------|----------|-----|-----|-----|-----|-----|---|---|
|      |      |              |                     | (A)      | (B) | (C) | (D) | (E) | (F) |   |   |
| 1    | 1    | 124790-55601 | STRAINER ASSY, FUEL | 1        | 1   | 1   | 1   |     |     |   |   |
| 3    | 2    | 104500-55710 | ELEMENT, FUEL       | 1        | 1   | 1   | 1   |     |     |   |   |
| 4    | 2    | 121370-55730 | CUP, STRAINER       | 1        | 1   | 1   | 1   |     |     |   |   |
| 5    | 2    | 110250-55610 | RING, RETAINING     | 1        | 1   | 1   | 1   |     |     |   |   |
| 6    | 2    | 24341-000440 | O-RING 1A S-44.0    | 1        | 1   | 1   | 1   |     |     |   |   |
| 7    | 2    | 101720-55750 | PLUG 6              | 1        | 1   | 1   | 1   |     |     |   |   |
| 8    | 2    | 23418-060000 | GASKET 6, NYLON     | 1        | 1   | 1   | 1   |     |     |   |   |
| 9    | 2    | 135210-51900 | PLUG                | 1        | 1   | 1   | 1   |     |     |   |   |
| 10   | 2    | 23418-080000 | PACKING             | 1        |     |     | 1   |     |     |   |   |
| I    | 10-1 | 2            | 23414-080012        | GASKET 8 | 1   | 1   | 1   | 1   |     |   | N |
|      |      | (A=EXXX)     | (C=EXXX)            | (D=EXXX) |     |     |     |     |     |   |   |
| 11   | 1    | 128170-55610 | BRACKET, STRAINER   | 1        | 1   | 1   | 1   |     |     |   |   |
| 12   | 1    | 26013-060162 | BOLT M 6X 16        | 2        | 2   | 2   | 2   |     |     |   |   |
| 13   | 1    | 26106-080202 | BOLT M 8X 20 PLATED | 2        | 2   | 2   | 2   |     |     |   |   |



Fig.40.FUEL STRAINER

(A)=1GM10 (D)=1GM10C  
 (B)=1GM10VE (E)=1GM10L  
 (C)=1GM10-B (F)=

Fig.40 燃料フィルタ  
 FUEL STRAINER



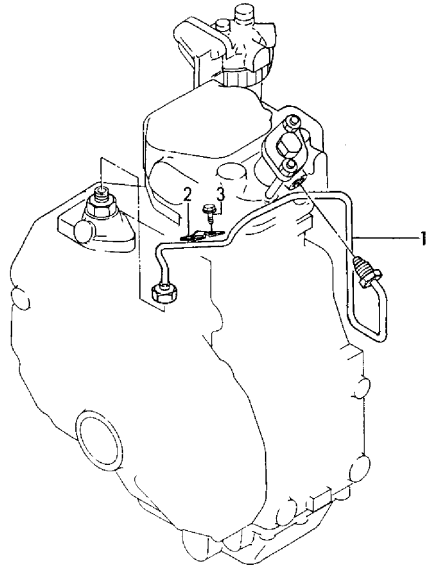
| REF. | LEV. | PARTS NO.    | DESCRIPTION         | QTY      |     |     |     |          |     | I | R |  |   |
|------|------|--------------|---------------------|----------|-----|-----|-----|----------|-----|---|---|--|---|
|      |      |              |                     | (A)      | (B) | (C) | (D) | (E)      | (F) |   |   |  |   |
| 1    | 1    | 124790-55601 | STRAINER ASSY, FUEL |          |     |     |     |          |     |   |   |  |   |
| 3    | 2    | 104500-55710 | ELEMENT, FUEL       |          |     |     |     |          |     |   |   |  |   |
| 4    | 2    | 121370-55730 | CUP, STRAINER       |          |     |     |     |          |     |   |   |  |   |
| 5    | 2    | 110250-55610 | RING, RETAINING     |          |     |     |     |          |     |   |   |  |   |
| 6    | 2    | 24341-000440 | O-RING 1A S-44.0    |          |     |     |     |          |     |   |   |  |   |
| 7    | 2    | 101720-55750 | PLUG 6              |          |     |     |     |          |     |   |   |  |   |
| 8    | 2    | 23418-060000 | GASKET 6, NYLON     |          |     |     |     |          |     |   |   |  |   |
| 9    | 2    | 135210-51900 | PLUG                |          |     |     |     |          |     |   |   |  |   |
| 10   | 2    | 23418-080000 | PACKING             |          |     |     |     |          |     |   |   |  |   |
| I    | 10-1 | 2            | 23414-080012        | GASKET 8 |     |     |     |          |     |   |   |  | N |
|      |      |              |                     |          |     |     |     | (E=EXXX) |     |   |   |  |   |
| 11   | 1    | 128172-55610 | BRACKET, STRAINER   |          |     |     |     |          |     |   |   |  |   |
| 12   | 1    | 26013-060182 | BOLT M 6X 18        |          |     |     |     |          |     |   |   |  |   |
| 13   | 1    | 26106-080162 | BOLT M 8X 16 PLATED |          |     |     |     |          |     |   |   |  |   |

Fig.41.FUEL INJECTION LINE

Y00F5041 41.FUEL INJECTION LINE

(A)=1GM10 (D)=1GM10C  
 (B)=1GM10VE (E)=1GM10L  
 (C)=1GM10-B (F)=

Fig. **41** 燃料噴射パイプ  
 FUEL INJECTION PIPE

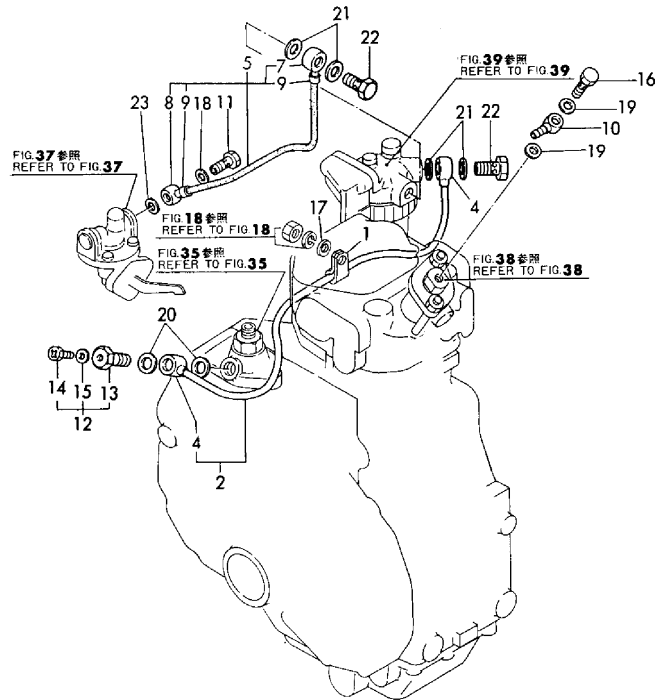


| REF. | LEV. | PARTS NO.    | DESCRIPTION          | Q'TY |     |     |     |     |     | I | R |
|------|------|--------------|----------------------|------|-----|-----|-----|-----|-----|---|---|
|      |      |              |                      | (A)  | (B) | (C) | (D) | (E) | (F) |   |   |
| 1    | 1    | 128170-59811 | PIPE (A), F. INJECT. | 1    | 1   | 1   | 1   | 1   |     |   |   |
| 2    | 1    | 103854-59650 | RETAINER (A)         | 1    | 1   | 1   | 1   | 1   |     |   |   |
| 3    | 1    | 26013-060122 | BOLT M 6X 12         | 2    | 2   | 2   | 2   | 2   |     |   |   |

Fig.42.FUEL LINE

(A)=1GM10 (D)=1GM10C  
 (B)=1GM10VE (E)=1GM10L  
 (C)=1GM10-B (F)=

Fig.42 燃料パイプ  
 FUEL PIPE



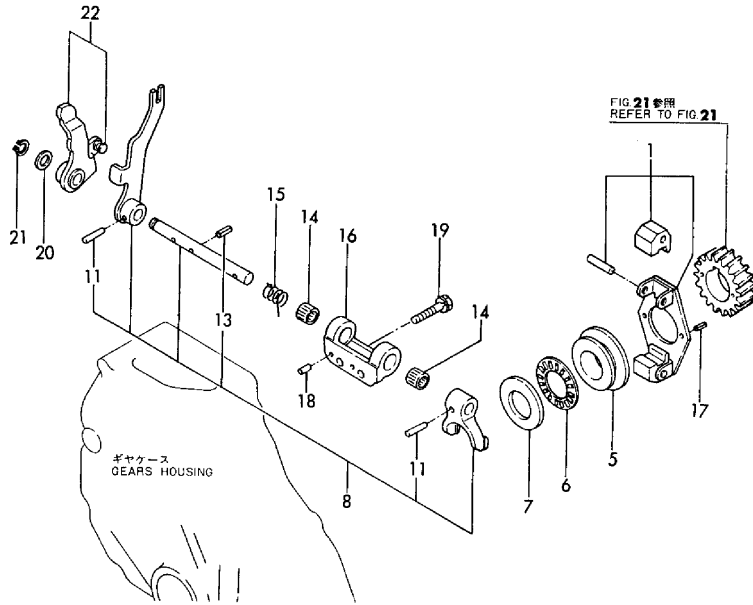
| REF.   | LEV. | PARTS NO.    | DESCRIPTION  | QTY |     |     |     |     |     | I | R |
|--------|------|--------------|--|-----|-----|-----|-----|-----|-----|---|---|
|        |      |              |  | (A) | (B) | (C) | (D) | (E) | (F) |   |   |
| 1      | 1    | 124450-39240 | RETAINER, PIPE   | 1   | 1   | 1   | 1   |     |     |   |   |
| 2      | 1    | 128170-59010 | PIPE (A) ASSY, FUEL                                      | 1   | 1   | 1   | 1   |     |     |   |   |
| 4      | 2    | 23341-060000 | BALL JOINT   | 2   | 2   | 2   | 2   |     |     |   |   |
| 5      | 1    | 128170-59080 | PIPE, FUEL OIL   | 1   |     | 1   | 1   |     |     |   |   |
| I 5-1  | 1    | 128170-59081 | PIPE, FUEL OIL<br>(A=FROM 1ST) (C=FROM 1ST) (D=FROM 1ST) | 1   | 1   | 1   | 1   |     |     |   | N |
| I 7    | 2    | 104264-59020 | JOINT 12, PIPE   | 1   | 1   | 1   | 1   |     |     |   |   |
| 8      | 2    | 104264-59030 | JOINT 8, PIPE  | 1   | 1   | 1   | 1   |     |     |   |   |
| I 9    | 2    | 104264-59040 | CAP, PIPE  | 2   | 2   | 2   | 2   |     |     |   |   |
| I 10   | 1    | 104264-59030 | JOINT 8, PIPE  | 1   | 1   | 1   | 1   |     |     |   |   |
| 11     | 1    | 105582-59150 | BOLT, PIPE JOINT   | 1   | 1   | 1   | 1   |     |     |   |   |
| 12     | 1    | 103854-59191 | BOLT W/PLUG & SEAL                                       | 1   | 1   | 1   | 1   |     |     |   |   |
| 13     | 2    | 103854-59201 | BOLT, JOINT  | 1   | 1   | 1   | 1   |     |     |   |   |
| 14     | 2    | 124060-59380 | PLUG   | 1   | 1   | 1   | 1   |     |     |   |   |
| 15     | 2    | 43400-500390 | SEAL WASHER 6S   | 1   |     | 1   | 1   |     |     |   |   |
| I 15-1 | 2    | 22190-060002 | SEAL WASHER 6S<br>(A=E12740) (C=E01195) (D=E01385)       | 1   | 1   | 1   | 1   |     |     |   | N |
| 16     | 1    | 101147-59810 | BOLT 8, PIPE JOINT                                       | 1   | 1   | 1   | 1   |     |     |   |   |
| 17     | 1    | 22117-080000 | WASHER 8   | 1   | 1   | 1   | 1   |     |     |   |   |
| 18     | 1    | 23414-080000 | GASKET 8, ROUND  | 1   | 1   | 1   | 1   |     |     |   |   |
| 19     | 1    | 23414-080000 | GASKET 8, ROUND  | 2   | 2   | 2   | 2   |     |     |   |   |
| 20     | 1    | 23414-120000 | GASKET 12, ROUND   | 2   | 2   | 2   | 2   |     |     |   |   |
| 21     | 1    | 23414-120000 | GASKET 12, ROUND   | 4   | 4   | 4   | 4   |     |     |   |   |
| 22     | 1    | 23857-060000 | JOINT BOLT 6   | 2   | 2   | 2   | 2   |     |     |   |   |
| 23     | 1    | 104884-59170 | GASKET   | 1   | 1   | 1   | 1   |     |     |   |   |



Fig.44.GOVERNOR DRIVING

(A)=1GM10 (D)=1GM10C  
 (B)=1GM10VE (E)=1GM10L  
 (C)=1GM10-B (F)=

Fig.44 ガバナ駆動  
 GOVERNOR EQUIPMENT

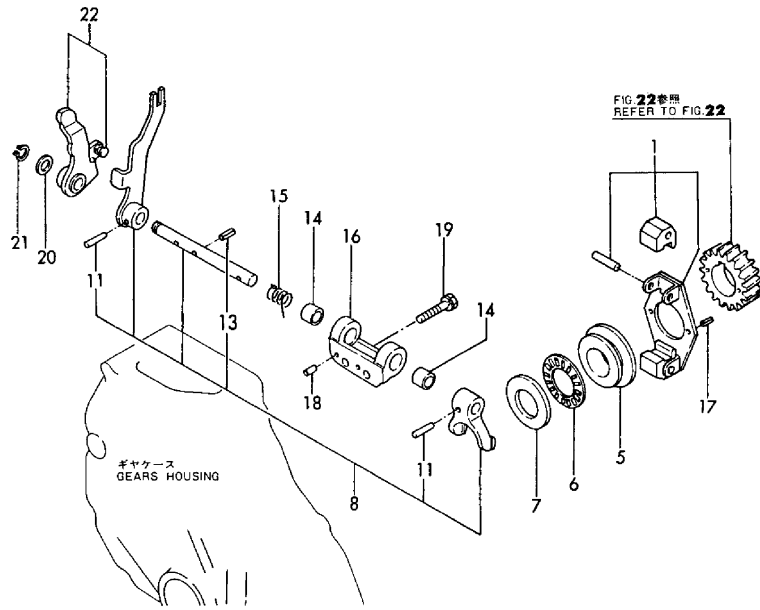


| REF.   | LEV. | PARTS NO.    | DESCRIPTION         | QTY        |     |     |     |     |     | I | R |   |
|--------|------|--------------|---------------------|------------|-----|-----|-----|-----|-----|---|---|---|
|        |      |              |                     | (A)        | (B) | (C) | (D) | (E) | (F) |   |   |   |
| 1      | 1    | 128170-61100 | SUPPORT ASSY, GOV.  | 1          | 1   | 1   | 1   |     |     |   |   |   |
| 5      | 1    | 121000-61600 | SLEEVE, GOVERNOR    | 1          | 1   | 1   | 1   |     |     |   |   |   |
| 6      | 1    | 121575-61710 | NEEDLE BEARING      | 1          | 1   | 1   | 1   |     |     |   |   |   |
| 7      | 1    | 121575-61720 | COLLAR, BEARING     | 1          | 1   | 1   | 1   |     |     |   |   |   |
| 8      | 1    | 728170-61560 | LEVER ASSY, GOV.    | 1          | 1   | 1   | 1   |     |     |   |   |   |
| 11     | 2    | 22322-030200 | TAPER PIN 3X20      | 2          | 2   | 2   | 2   |     |     |   |   |   |
| 13     | 2    | 22351-030012 | SPRING PIN 3X12     | 1          | 1   | 1   | 1   |     |     |   |   |   |
| 14     | 1    | 122410-61650 | BEARING, NEEDLE     | 2          | 2   | 2   | 2   |     |     |   |   |   |
| 15     | 1    | 121575-66310 | SPRING, STARTING    | 1          | 1   | 1   | 1   |     |     |   |   |   |
| 16     | 1    | 128170-61620 | BRACKET             | 1          | 1   | 1   | 1   |     |     |   |   |   |
| 17     | 1    | 22351-040008 | SPRING PIN 4X 8     | 2          | 2   | 2   | 2   |     |     |   |   |   |
| 18     | 1    | 22312-040080 | PIN 4X8,STRAIGHT    | 2          | 2   | 2   | 2   |     |     |   |   |   |
| 19     | 1    | 26013-060302 | BOLT M 6X 30        | 2          | 2   | 2   | 2   |     |     |   |   |   |
| 20     | 1    | 104211-42130 | SPACER              | 1          | 1   | 1   | 1   |     |     |   |   |   |
| 21     | 1    | 22242-000100 | CIRCLIP 10          | 1          | 1   | 1   | 1   |     |     |   |   |   |
| 22     | 1    | 128170-61160 | LEVER ASSY, CONTROL | 1          |     |     | 1   |     |     |   |   |   |
| I 22-1 | 1    | 128170-61161 | LEVER ASSY, CONTROL | 1          | 1   | 1   | 1   |     |     |   |   | N |
|        |      | (A=E12335)   | (C=E01153)          | (D=E01349) |     |     |     |     |     |   |   |   |

(A)=1GM10 (D)=1GM10C  
 (B)=1GM10VE (E)=1GM10L  
 (C)=1GM10-B (F)=

Fig.45.GOVERNOR DRIVING

Fig.45 ガバナ駆動  
 GOVERNOR EQUIPMENT

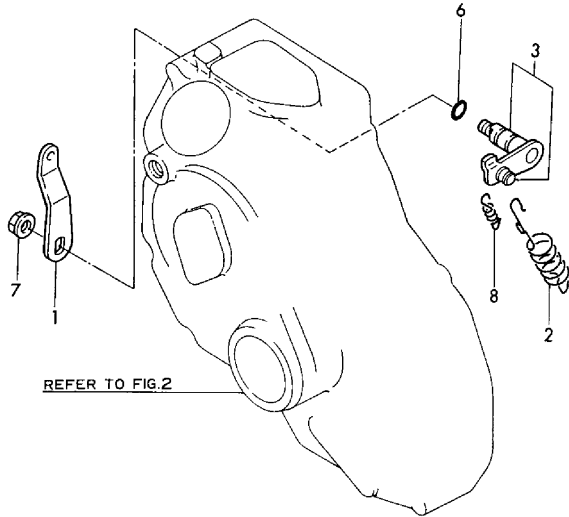


| REF.   | LEV. | PARTS NO.    | DESCRIPTION         | QTY |     |     |     |     |     | I | R |  |   |
|--------|------|--------------|---------------------|-----|-----|-----|-----|-----|-----|---|---|--|---|
|        |      |              |                     | (A) | (B) | (C) | (D) | (E) | (F) |   |   |  |   |
| 1      | 1    | 128170-61100 | SUPPORT ASSY, GOV.  |     |     |     |     |     |     |   |   |  |   |
| 5      | 1    | 121000-61600 | SLEEVE, GOVERNOR    |     |     |     |     |     |     |   |   |  |   |
| 6      | 1    | 121575-61710 | NEEDLE BEARING      |     |     |     |     |     |     |   |   |  |   |
| 7      | 1    | 121575-61720 | COLLAR, BEARING     |     |     |     |     |     |     |   |   |  |   |
| 8      | 1    | 728170-61560 | LEVER ASSY, GOV.    |     |     |     |     |     |     |   |   |  |   |
| 11     | 2    | 22322-030200 | TAPER PIN 3X20      |     |     |     |     |     |     |   |   |  |   |
| 13     | 2    | 22351-030012 | SPRING PIN 3X12     |     |     |     |     |     |     |   |   |  |   |
| 14     | 1    | 171079-61560 | BUSH                |     |     |     |     |     |     |   |   |  |   |
| 15     | 1    | 121575-66310 | SPRING, STARTING    |     |     |     |     |     |     |   |   |  |   |
| 16     | 1    | 128172-61620 | BRACKET             |     |     |     |     |     |     |   |   |  |   |
| 17     | 1    | 22351-040008 | SPRING PIN 4X 8     |     |     |     |     |     |     |   |   |  |   |
| 18     | 1    | 22312-040080 | PIN 4X8,STRAIGHT    |     |     |     |     |     |     |   |   |  |   |
| 19     | 1    | 26013-060302 | BOLT M 6X 30        |     |     |     |     |     |     |   |   |  |   |
| 20     | 1    | 104211-42130 | SPACER              |     |     |     |     |     |     |   |   |  |   |
| 21     | 1    | 22242-000100 | CIRCLIP 10          |     |     |     |     |     |     |   |   |  |   |
| 22     | 1    | 128170-61160 | LEVER ASSY, CONTROL |     |     |     |     |     |     |   |   |  |   |
| I 22-1 | 1    | 128170-61161 | LEVER ASSY, CONTROL |     |     |     |     |     |     |   |   |  | N |

(E=E00629)

Fig.46.CONTROL DEVICE

Fig.46 操縦装置  
CONTROL DEVICE



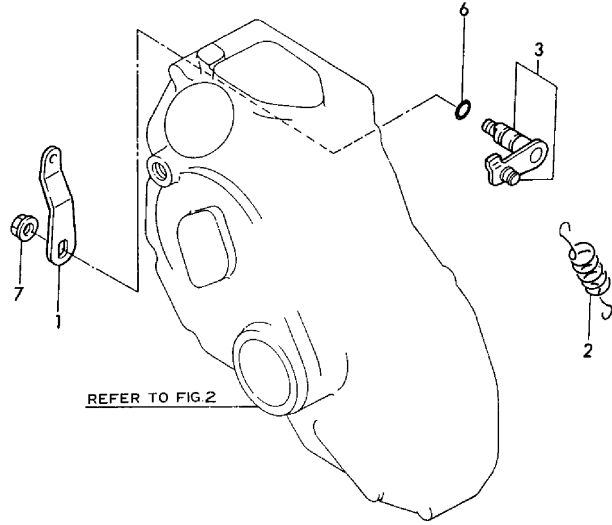
(A)=1GM10 (D)=1GM10C  
(B)=1GM10VE (E)=1GM10L  
(C)=1GM10-B (F)=

| REF. | LEV. | PARTS NO.    | DESCRIPTION         | Q'TY |     |     |     |     |     | I | R |
|------|------|--------------|---------------------|------|-----|-----|-----|-----|-----|---|---|
|      |      |              |                     | (A)  | (B) | (C) | (D) | (E) | (F) |   |   |
| 1    | 1    | 121575-66051 | HANDLE, REGULATOR   | 1    | 1   | 1   | 1   |     |     |   |   |
| 2    | 1    | 128170-66010 | SPRING, REGULATOR   | 1    | 1   | 1   | 1   |     |     |   |   |
| 3    | 1    | 128170-66090 | LEVER ASSY, REGULAT | 1    | 1   | 1   | 1   |     |     |   |   |
| 6    | 1    | 24311-000090 | O-RING 1A P-9.0     | 1    | 1   | 1   | 1   |     |     |   |   |
| 7    | 1    | 26366-080002 | NUT M 8             | 1    | 1   | 1   | 1   |     |     |   |   |
| 8    | 1    | 128170-66200 | SPRING, REGULATOR   | 1    | 1   | 1   | 1   |     |     |   |   |

Fig.47.CONTROL DEVICE

(A)=1GM10 (D)=1GM10C  
 (B)=1GM10VE (E)=1GM10L  
 (C)=1GM10-B (F)=

Fig.47 操縦装置  
 CONTROL DEVICE



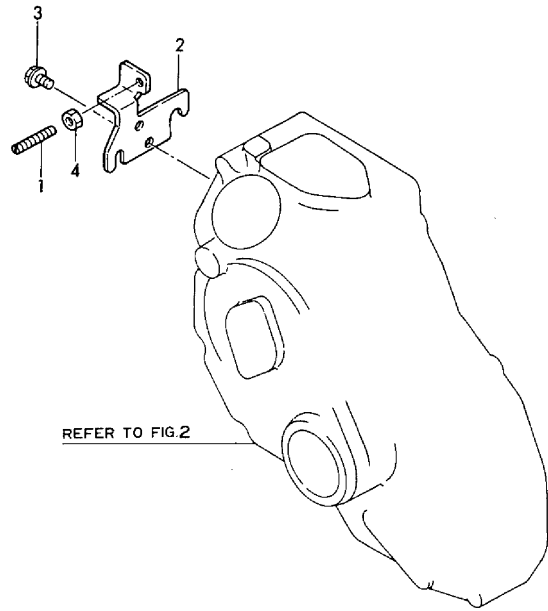
| REF. | LEV. | PARTS NO.    | DESCRIPTION         | Q'TY |     |     |     |     |     | I | R |  |  |
|------|------|--------------|---------------------|------|-----|-----|-----|-----|-----|---|---|--|--|
|      |      |              |                     | (A)  | (B) | (C) | (D) | (E) | (F) |   |   |  |  |
| 1    | 1    | 121575-66051 | HANDLE, REGULATOR   |      |     |     |     |     |     |   |   |  |  |
| 2    | 1    | 128172-66010 | SPRING, REGULATOR   |      |     |     |     |     |     |   |   |  |  |
| 3    | 1    | 128172-66090 | LEVER ASSY, REGULAT |      |     |     |     |     |     |   |   |  |  |
| 6    | 1    | 24311-000090 | O-RING 1A P-9.0     |      |     |     |     |     |     |   |   |  |  |
| 7    | 1    | 26366-080002 | NUT M 8             |      |     |     |     |     |     |   |   |  |  |



Fig.48.IDLE ADJUSTER

(A)=1GM10 (D)=1GM10C  
 (B)=1GM10VE (E)=1GM10L  
 (C)=1GM10-B (F)=

Fig.48 アイドルアジャスタ  
 IDLE ADJUSTER

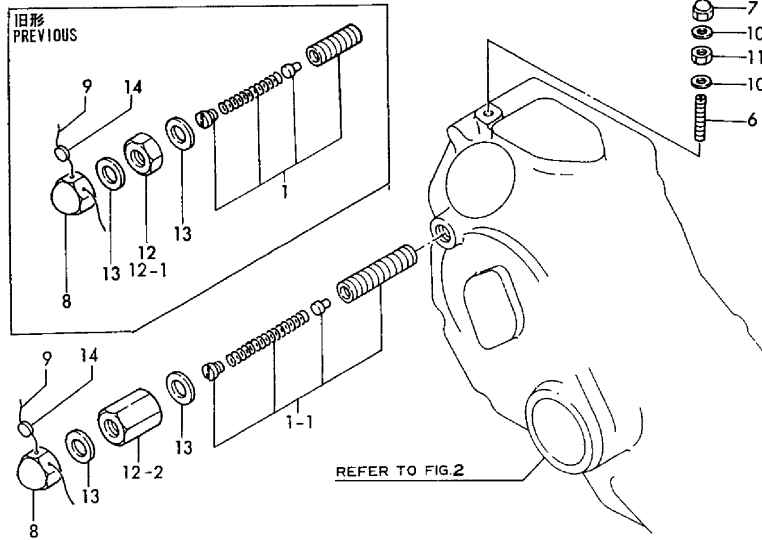


| REF. | LEV. | PARTS NO.    | DESCRIPTION           | Q'TY |     |            |     |     |     | I | R |
|------|------|--------------|-----------------------|------|-----|------------|-----|-----|-----|---|---|
|      |      |              |                       | (A)  | (B) | (C)        | (D) | (E) | (F) |   |   |
| 1    | 1    | 121575-66800 | SCREW, ADJUST         | 1    |     | 1          | 1   | 1   |     |   |   |
| I    | 1-1  | 121575-66830 | SCREW, ADJUST         | 1    | 1   | 1          | 1   | 1   |     |   | N |
|      |      | (A=E11181)   | (C=E01120) (D=E01206) |      |     | (E=E00395) |     |     |     |   |   |
| 2    | 1    | 128170-66850 | RETAINER              | 1    | 1   | 1          | 1   | 1   |     |   |   |
| 3    | 1    | 26106-060122 | BOLT M 6X 12 PLATED   | 2    | 2   | 2          | 2   | 2   |     |   |   |
| 4    | 1    | 26756-060002 | LOCK NUT 6            | 1    | 1   | 1          | 1   | 1   |     |   |   |

Fig.49.FUEL CONTROL DEVICE

(A)=1GM10 (D)=1GM10C  
 (B)=1GM10VE (E)=1GM10L  
 (C)=1GM10-B (F)=

Fig.49 燃料制限装置 FUEL CONTROL DEVICE

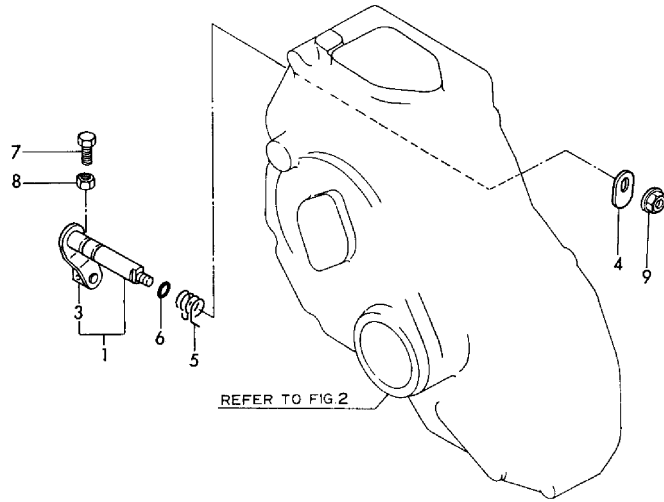


| REF.   | LEV. | PARTS NO.    | DESCRIPTION               | QTY |     |              |     |     |     | I | R |
|--------|------|--------------|---------------------------|-----|-----|--------------|-----|-----|-----|---|---|
|        |      |              |                           | (A) | (B) | (C)          | (D) | (E) | (F) |   |   |
| 1      | 1    | 128170-66550 | CONTROLLER ASSY           | 1   |     | 1            | 1   | 1   |     |   |   |
| 1-1    | 1    | 128171-66550 | CONTROLLER ASSY           | 1   | 1   | 1            | 1   | 1   |     |   | S |
|        |      | (A=E03691)   | (C=E00336) (D=E00341)     |     |     | (E=E00218)   |     |     |     |   |   |
| 6      | 1    | 121575-66800 | SCREW, ADJUST             | 1   |     | 1            | 1   | 1   |     |   |   |
| I 6-1  | 1    | 121575-66830 | SCREW, ADJUST             | 1   | 1   | 1            | 1   | 1   |     |   | N |
|        |      | (A=E11181)   | (C=E01120) (D=E01206)     |     |     | (E=E00395)   |     |     |     |   |   |
| 7      | 1    | 128170-66870 | CAP NUT M 6               | 1   | 1   | 1            | 1   | 1   |     |   |   |
| 8      | 1    | 128170-66880 | CAP NUT M12               | 1   | 1   | 1            | 1   | 1   |     |   |   |
| 9      | 1    | 22451-100000 | WIRE 1.0                  | 1   | 1   | 1            | 1   | 1   |     |   |   |
| 10     | 1    | 23414-060000 | GASKET 6, ROUND           | 2   | 2   | 2            | 2   | 2   |     |   |   |
| 11     | 1    | 26756-060002 | LOCK NUT 6                | 1   | 1   | 1            | 1   | 1   |     |   |   |
| 12     | 1    | 26756-120002 | LOCK NUT 12               | 1   |     | 1            | 1   | 1   |     |   |   |
| 12-1   | 1    | 128170-66890 | LOCK NUT M12              | 1   |     | 1            | 1   | 1   |     |   | R |
|        |      | (A=*1983.02) | (C=*1983.02) (D=*1983.02) |     |     | (E=*1983.02) |     |     |     |   |   |
| 12-2   | 1    | 128171-66890 | LOCK NUT M12              | 1   | 1   | 1            | 1   | 1   |     |   | S |
|        |      | (A=E03691)   | (C=E00336) (D=E00341)     |     |     | (E=E00218)   |     |     |     |   |   |
| 13     | 1    | 43400-500450 | SEAL WASHER 12S           | 2   |     | 2            | 2   | 2   |     |   |   |
| I 13-1 | 1    | 22190-120002 | SEAL WASHER 12            | 2   | 2   | 2            | 2   | 2   |     |   | N |
|        |      | (A=E12740)   | (C=E01195) (D=E01385)     |     |     | (E=E00731)   |     |     |     |   |   |
| 14     | 1    | 135210-61090 | LEAD                      | 1   | 1   | 1            | 1   | 1   |     |   |   |

Fig.50.ENGINE STOP DEVICE

(A)=1GM10 (D)=1GM10C  
 (B)=1GM10VE (E)=1GM10L  
 (C)=1GM10-B (F)=

Fig. 50 機関停止装置  
 ENGINE STOP DEVICE

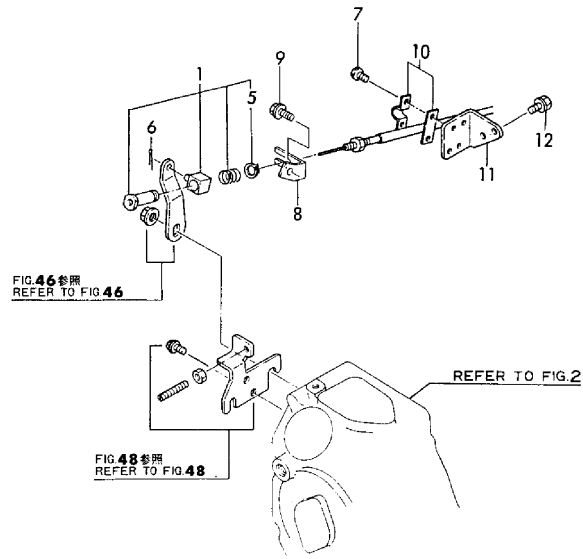


| REF. | LEV. | PARTS NO.    | DESCRIPTION          | Q'TY |     |     |     |     |     | I | R |
|------|------|--------------|----------------------|------|-----|-----|-----|-----|-----|---|---|
|      |      |              |                      | (A)  | (B) | (C) | (D) | (E) | (F) |   |   |
| 1    | 1    | 128170-66510 | LEVER ASSY, ENG.STOP | 1    | 1   | 1   | 1   | 1   |     |   |   |
| 3    | 2    | 104211-03770 | PLATE                | 1    | 1   | 1   | 1   | 1   |     |   |   |
| 4    | 1    | 121575-66550 | CAM                  | 1    | 1   | 1   | 1   | 1   |     |   |   |
| 5    | 1    | 128170-66580 | SPRING, RETURN       | 1    | 1   | 1   | 1   | 1   |     |   |   |
| 6    | 1    | 24311-000070 | O-RING 1A P-7.0      | 1    | 1   | 1   | 1   | 1   |     |   |   |
| 7    | 1    | 26116-050128 | BOLT M 5X 12 PLATED  | 1    | 1   | 1   | 1   | 1   |     |   |   |
| 8    | 1    | 26756-050002 | LOCK NUT M 5 PLATED  | 1    | 1   | 1   | 1   | 1   |     |   |   |
| 9    | 1    | 26366-060002 | NUT M 6              | 1    | 1   | 1   | 1   | 1   |     |   |   |

(A)=1GM10 (D)=1GM10C  
 (B)=1GM10VE (E)=1GM10L  
 (C)=1GM10-B (F)=

Fig.51.SPEED REMOTE CONTROL

Fig. 51 スピードリモコン  
 SPEED REMOTE CONTROL

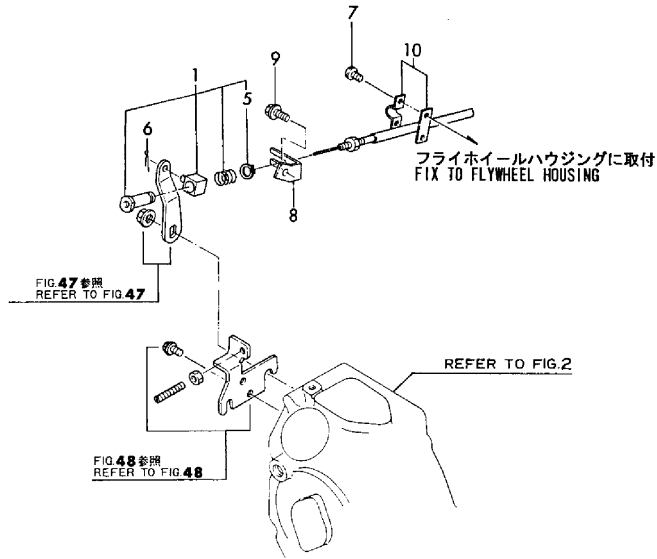


| REF. | LEV. | PARTS NO.    | DESCRIPTION         | Q'TY |     |     |     |     |     | I | R |
|------|------|--------------|---------------------|------|-----|-----|-----|-----|-----|---|---|
|      |      |              |                     | (A)  | (B) | (C) | (D) | (E) | (F) |   |   |
| 1    | 1    | 105311-67200 | RETAINER, JOINT     | 1    | 1   | 1   | 1   |     |     |   |   |
| 5    | 2    | 22242-000100 | CIRCLIP 10          | 1    | 1   | 1   | 1   |     |     |   |   |
| 6    | 1    | 22414-250150 | COTTER PIN 2.5X15   | 1    | 1   | 1   | 1   |     |     |   |   |
| 7    | 1    | 26557-050122 | SCREW M 5X 12       | 2    | 2   | 2   | 2   |     |     |   |   |
| 8    | 1    | 128170-67580 | BRACKET, CABLE      | 1    | 1   | 1   | 1   |     |     |   |   |
| 9    | 1    | 26106-060102 | BOLT M 6X 10 PLATED | 1    | 1   | 1   | 1   |     |     |   |   |
| 10   | 1    | 41710-000410 | CLAMP               | 1    | 1   | 1   | 1   |     |     |   |   |
| 11   | 1    | 128170-67100 | BRACKET, CABLE      | 1    | 1   | 1   | 1   |     |     |   |   |
| 12   | 1    | 26106-060142 | BOLT M 6X 14 PLATED | 2    | 2   | 2   | 2   |     |     |   |   |

(A)=1GM10 (D)=1GM10C  
 (B)=1GM10VE (E)=1GM10L  
 (C)=1GM10-B (F)=

Fig.52.SPEED REMOTE CONTROL

Fig.52 スピードリモコン  
 SPEED REMOTE CONTROL

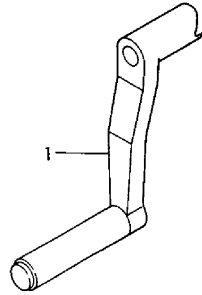


| REF. | LEV. | PARTS NO.    | DESCRIPTION         | Q'TY |     |     |     |     |     | I | R |  |
|------|------|--------------|---------------------|------|-----|-----|-----|-----|-----|---|---|--|
|      |      |              |                     | (A)  | (B) | (C) | (D) | (E) | (F) |   |   |  |
| 1    | 1    | 105311-67200 | RETAINER, JOINT     |      |     |     |     |     |     |   | 1 |  |
| 5    | 2    | 22242-000100 | CIRCLIP 10          |      |     |     |     |     |     |   | 1 |  |
| 6    | 1    | 22414-250150 | COTTER PIN 2.5X15   |      |     |     |     |     |     |   | 1 |  |
| 7    | 1    | 26557-050122 | SCREW M 5X 12       |      |     |     |     |     |     |   | 2 |  |
| 8    | 1    | 128170-67580 | BRACKET, CABLE      |      |     |     |     |     |     |   | 1 |  |
| 9    | 1    | 26106-060102 | BOLT M 6X 10 PLATED |      |     |     |     |     |     |   | 1 |  |
| 10   | 1    | 41710-000410 | CLAMP               |      |     |     |     |     |     |   | 1 |  |

(A)=1GM10 (D)=1GM10C  
(B)=1GM10VE (E)=1GM10L  
(C)=1GM10-B (F)=

Fig.53.HAND START

Fig. **53** ハンドスタート  
HAND STARTING

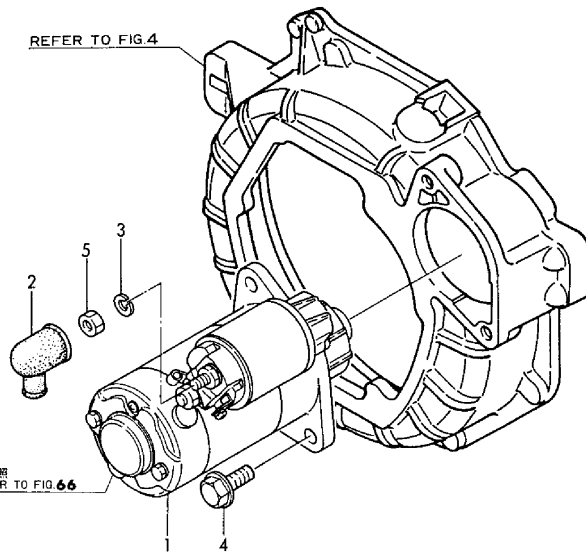


| REF. | LEV. | PARTS NO.    | DESCRIPTION      | Q'TY |     |     |     |     |     | I | R |
|------|------|--------------|------------------|------|-----|-----|-----|-----|-----|---|---|
|      |      |              |                  | (A)  | (B) | (C) | (D) | (E) | (F) |   |   |
| 1    | 1    | 128170-76790 | HANDLE, STARTING | 1    | 1   | 1   | 1   |     |     |   |   |

Fig.54.STARTING MOTOR

(A)=1GM10 (D)=1GM10C  
 (B)=1GM10VE (E)=1GM10L  
 (C)=1GM10-B (F)=

Fig.54 スターティングモータ  
 STARTING MOTOR

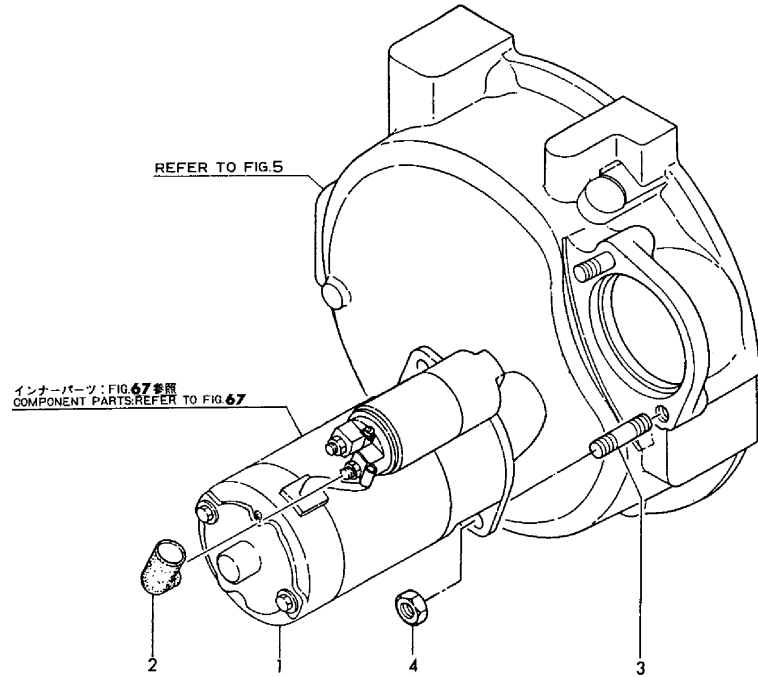


| REF. | LEV. | PARTS NO.    | DESCRIPTION         | QTY |     |     |     |     |     | I | R |
|------|------|--------------|---------------------|-----|-----|-----|-----|-----|-----|---|---|
|      |      |              |                     | (A) | (B) | (C) | (D) | (E) | (F) |   |   |
| 1    | 1    | 128170-77010 | STARTER             | 1   | 1   | 1   | 1   |     |     |   |   |
| 2    | 1    | 124550-77030 | COVER, TERMINAL     | 1   | 1   | 1   | 1   |     |     |   |   |
| 3    | 1    | 22217-080000 | SPRING WASHER 8     | 1   | 1   | 1   | 1   |     |     |   |   |
| 4    | 1    | 26106-100302 | BOLT M10X 30 PLATED | 2   | 2   | 2   | 2   |     |     |   |   |
| 5    | 1    | 26756-080002 | LOCK NUT M 8 PLATED | 1   | 1   | 1   | 1   |     |     |   |   |

(A)=1GM10 (D)=1GM10C  
 (B)=1GM10VE (E)=1GM10L  
 (C)=1GM10-B (F)=

Fig.55.STARTING MOTOR

Fig.55 スターティングモータ  
 STARTING MOTOR



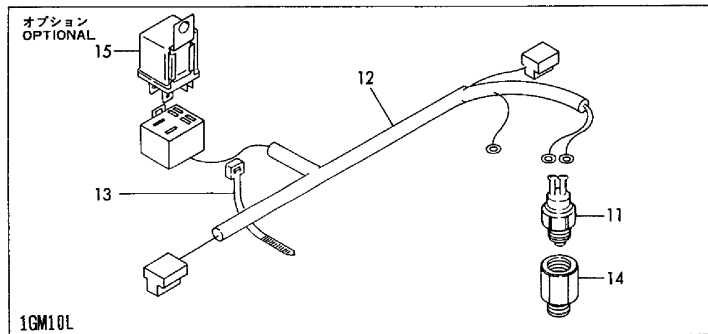
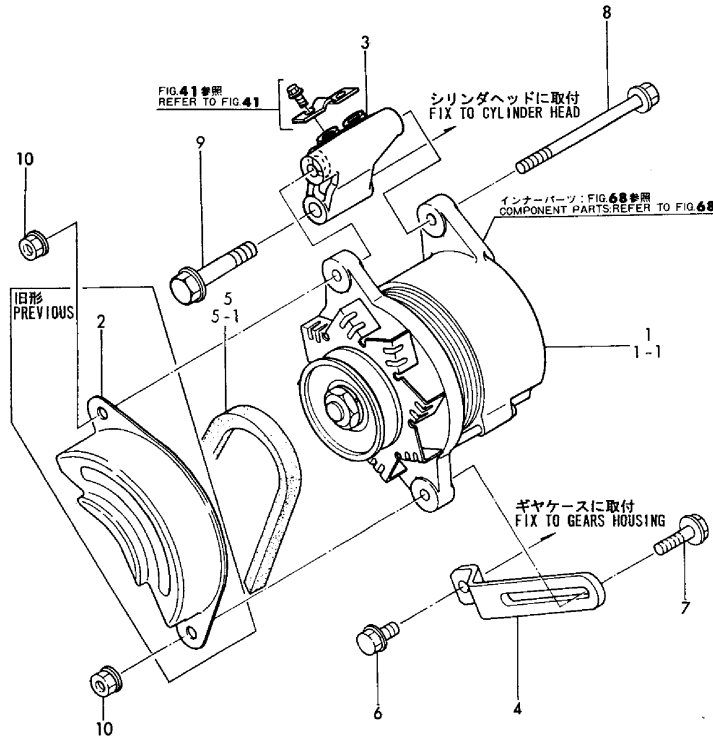
| REF. | LEV. | PARTS NO.    | DESCRIPTION         | Q'TY |     |     |     |     |     | I | R |  |  |
|------|------|--------------|---------------------|------|-----|-----|-----|-----|-----|---|---|--|--|
|      |      |              |                     | (A)  | (B) | (C) | (D) | (E) | (F) |   |   |  |  |
| 1    | 1    | 124772-77020 | STARTING MOTOR      |      |     |     |     |     |     |   | 1 |  |  |
| 2    | 1    | 124550-77030 | COVER, TERMINAL     |      |     |     |     |     |     |   | 1 |  |  |
| 3    | 1    | 26226-120252 | STUD M12X 25 PLATED |      |     |     |     |     |     |   | 2 |  |  |
| 4    | 1    | 26716-120002 | NUT 12              |      |     |     |     |     |     |   | 2 |  |  |



Fig.56.GENERATOR

(A)=1GM10 (D)=1GM10C  
 (B)=1GM10VE (E)=1GM10L  
 (C)=1GM10-B (F)=

Fig.56 ジェネレータ GENERATOR



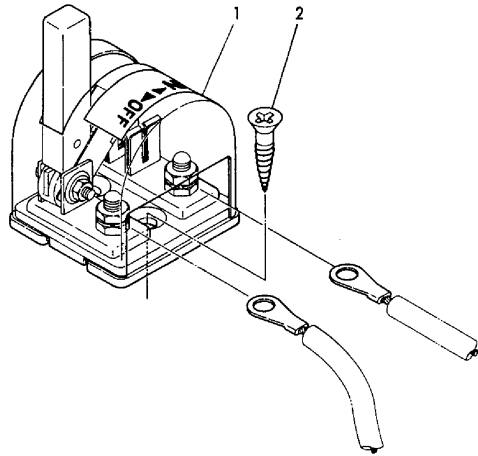
| REF. | LEV. | PARTS NO.    | DESCRIPTION           | QTY |            |     |     |     |     | I | R   |
|------|------|--------------|-----------------------|-----|------------|-----|-----|-----|-----|---|-----|
|      |      |              |                       | (A) | (B)        | (C) | (D) | (E) | (F) |   |     |
| 1    | 1    | 128270-77200 | GENERATOR(12V-35A)    | 1   | 1          | 1   | 1   |     |     |   |     |
| 1-1  | 1    | 128171-77200 | GENERATOR             | 1   | 1          | 1   | 1   | 1   |     |   | S   |
|      |      | (A=E03691)   | (C=E00336) (D=E00341) |     | (E=E00218) |     |     |     |     |   |     |
| 2    | 1    | 121250-77210 | COVER, GENERATOR      | 1   | 1          | 1   | 1   | 1   |     |   | Z   |
|      |      | (A=E03691)   | (C=E00336) (D=E00341) |     | (E=E00218) |     |     |     |     |   |     |
| 3    | 1    | 128170-77251 | BRACKET, GENERATOR    | 1   | 1          | 1   | 1   | 1   |     |   |     |
| 4    | 1    | 124465-77330 | ADJUSTER, BELT        | 1   | 1          | 1   | 1   | 1   |     |   |     |
| 5    | 1    | 128170-77350 | V-BELT (HM-29)        | 1   |            | 1   | 1   | 1   |     |   |     |
| 5-1  | 1    | 105582-77790 | V-BELT (31 INCH)      | 1   | 1          | 1   | 1   | 1   |     |   | S   |
|      |      | (A=E03691)   | (C=E00336) (D=E00341) |     | (E=E00218) |     |     |     |     |   |     |
| 6    | 1    | 26106-080202 | BOLT M 8X 20 PLATED   | 1   | 1          | 1   | 1   | 1   |     |   |     |
| 7    | 1    | 26106-080302 | BOLT M 8X 30 PLATED   | 1   | 1          | 1   | 1   | 1   |     |   |     |
| 8    | 1    | 26106-081202 | BOLT M 8X120 PLATED   | 1   | 1          | 1   | 1   | 1   |     |   |     |
| 9    | 1    | 26106-100602 | BOLT M10X 60 PLATED   | 2   | 2          | 2   | 2   | 2   |     |   |     |
| 10   | 1    | 26366-080002 | NUT M 8               | 2   | 2          | 2   | 2   | 2   |     |   |     |
| I 11 | 1    | 171375-44900 | SWITCH, THERMO        | 1   | 1          | 1   | 1   |     |     |   | W 1 |
|      |      | (A=E12061)   | (C=E01139) (D=E01328) |     |            |     |     |     |     |   |     |
| I 12 | 1    | 128171-77910 | HARNESS               | 1   | 1          | 1   | 1   |     |     |   | W 1 |
|      |      | (A=E12061)   | (C=E01139) (D=E01328) |     |            |     |     |     |     |   |     |
| I 13 | 1    | 160370-78950 | BAND, WIRE            | 1   | 1          | 1   | 1   |     |     |   | W 1 |
|      |      | (A=E12169)   | (C=E01141) (D=E01339) |     |            |     |     |     |     |   |     |
| I 14 | 1    | 128171-91810 | SPACER                | 1   | 1          | 1   | 1   |     |     |   | W 1 |
|      |      | (A=E12061)   | (C=E01139) (D=E01328) |     |            |     |     |     |     |   |     |
| I 15 | 1    | 128171-91850 | MAGNET RELAY          | 1   | 1          | 1   | 1   |     |     |   | W 1 |
|      |      | (A=E12061)   | (C=E01139) (D=E01328) |     |            |     |     |     |     |   |     |

Remarks  
 (1) OPTIONAL FOR 1GM10,1GM10VE,1GM10B

Fig.57.BATTERY SWITCH

(A)=1GM10 (D)=1GM10C  
 (B)=1GM10VE (E)=1GM10L  
 (C)=1GM10-B (F)=

Fig. **57** バッテリスイッチ  
 BATTERY SWITCH

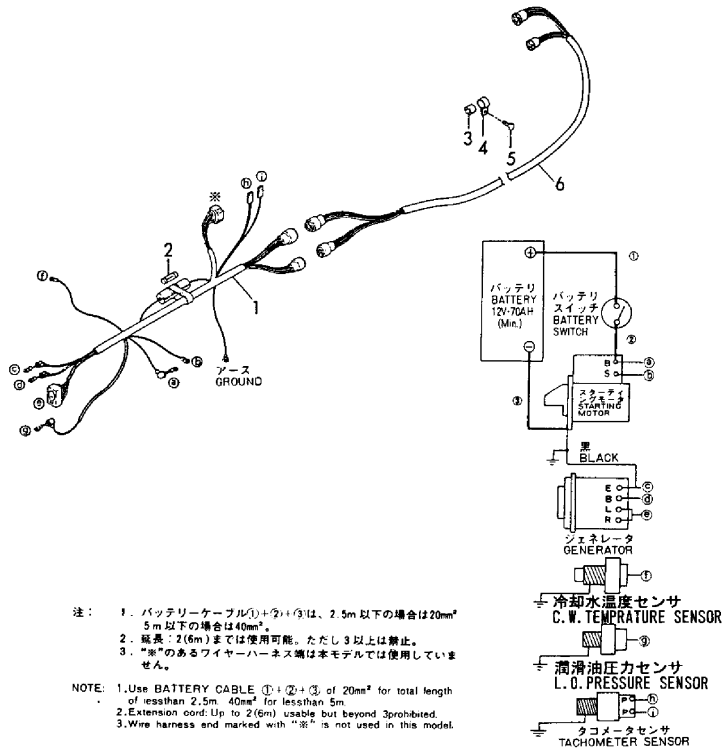


| REF. | LEV. | PARTS NO.    | DESCRIPTION     | QTY |     |     |     |     |     | I | R |
|------|------|--------------|-----------------|-----|-----|-----|-----|-----|-----|---|---|
|      |      |              |                 | (A) | (B) | (C) | (D) | (E) | (F) |   |   |
| 1    | 1    | 123310-77640 | SWITCH, BATTERY | 1   | 1   | 1   | 1   | 1   | 1   |   | 1 |
| 2    | 1    | 22724-800380 | SCREW 8X 38     | 2   | 2   | 2   | 2   | 2   | 2   |   | 1 |

Remarks  
 (1) OPTIONAL FOR 1GM10,1GM10VE,1GM10C  
 1GM10L

Fig.58.WIRE HARNESS

Fig.58 ワイヤハーネス WIRE HARNESS



- 注:
1. バッテリーケーブル①+②+③は、2.5m以下の場合には20mm<sup>2</sup>、5m以下の場合には40mm<sup>2</sup>。
  2. 延長：2(6m)までは使用可能。ただし3以上は禁止。
  3. “※”のあるワイヤハーネスは本モデルでは使用していません。

NOTE:

- 1.Use BATTERY CABLE ①+②+③, of 20mm<sup>2</sup> for total length of less than 2.5m, 40mm<sup>2</sup> for less than 5m.
- 2.Extension cord: Up to 2(6m) usable but beyond 3prohibited.
- 3.Wire harness and marked with “※” is not used in this model.

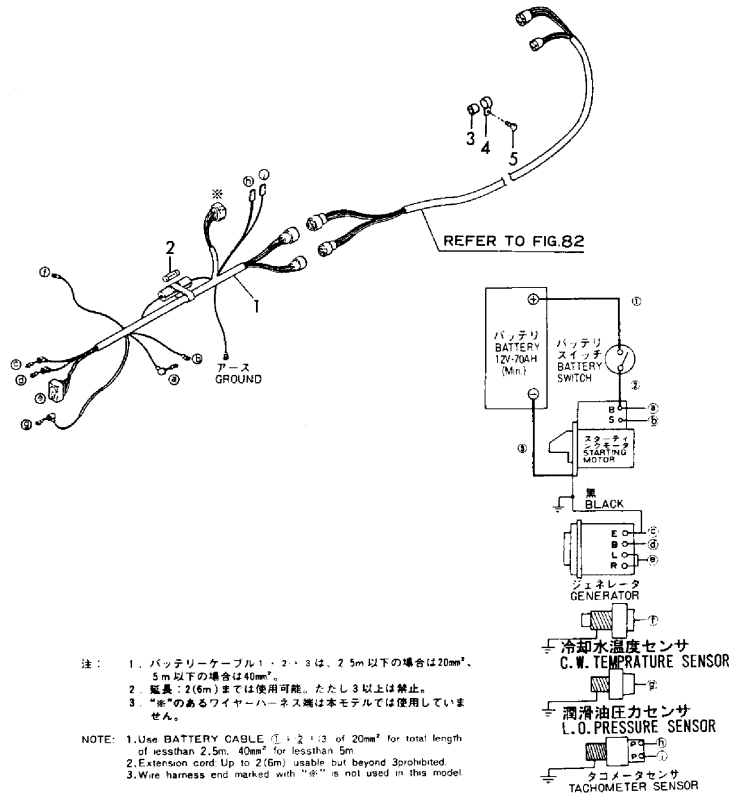
(A)=1GM10 (D)=1GM10C  
(B)=1GM10VE (E)=1GM10L  
(C)=1GM10-B (F)=

| REF. | LEV. | PARTS NO.    | DESCRIPTION         | QTY        |     |     |     |     |     | I | R |   |
|------|------|--------------|---------------------|------------|-----|-----|-----|-----|-----|---|---|---|
|      |      |              |                     | (A)        | (B) | (C) | (D) | (E) | (F) |   |   |   |
| 1    | 1    | 128170-77921 | HARNESS, WIRE       | 1          | 1   | 1   |     |     |     |   |   |   |
| I    | 1-1  | 128171-77921 | HARNESS, WIRE       | 1          | 1   | 1   | 1   |     |     |   |   | S |
|      |      | (A=E12169)   | (C=E01141)          | (D=E01339) |     |     |     |     |     |   |   |   |
| 2    | 2    | 46150-003680 | FUSE 30A            | 1          | 1   | 1   | 1   |     |     |   |   |   |
| 3    | 1    | 124770-77940 | PROTECTOR           | 1          | 1   | 1   | 1   |     |     |   |   |   |
| 4    | 1    | 124070-77950 | CLAMP               | 1          | 1   | 1   | 1   |     |     |   |   |   |
| 5    | 1    | 26106-080142 | BOLT M 8X 14 PLATED | 1          | 1   | 1   | 1   |     |     |   |   |   |
| 6    | 1    | 128170-77500 | HARNESS, WIRE       | 1          |     | 1   | 1   |     |     |   |   |   |
| I    | 6-1  | 128391-77700 | HARNESS, WIRE(3M)   | 1          | 1   | 1   | 1   |     |     |   |   | S |
|      |      | (A=E12169)   | (C=E01141)          | (D=E01339) |     |     |     |     |     |   |   |   |

Fig.59.WIRE HARNESS

(A)=1GM10 (D)=1GM10C  
 (B)=1GM10VE (E)=1GM10L  
 (C)=1GM10-B (F)=

Fig.59 ワイヤハーネス  
 WIRE HARNESS



| REF. | LEV. | PARTS NO.    | DESCRIPTION         | QTY |     |     |     |     |     | I | R |  |  |
|------|------|--------------|---------------------|-----|-----|-----|-----|-----|-----|---|---|--|--|
|      |      |              |                     | (A) | (B) | (C) | (D) | (E) | (F) |   |   |  |  |
| 1    | 1    | 128170-77921 | HARNESS, WIRE       |     |     |     |     |     |     |   |   |  |  |
| 2    | 2    | 46150-003680 | FUSE 30A            |     |     |     |     |     |     |   |   |  |  |
| 3    | 1    | 124770-77940 | PROTECTOR           |     |     |     |     |     |     |   |   |  |  |
| 4    | 1    | 124070-77950 | CLAMP               |     |     |     |     |     |     |   |   |  |  |
| 5    | 1    | 26106-080162 | BOLT M 8X 16 PLATED |     |     |     |     |     |     |   |   |  |  |

Fig.60.CLUTCH

Fig60 クラッチ

この項目はイラスト表現していません。

(A)=1GM10 (D)=1GM10C  
 (B)=1GM10VE (E)=1GM10L  
 (C)=1GM10-B (F)=

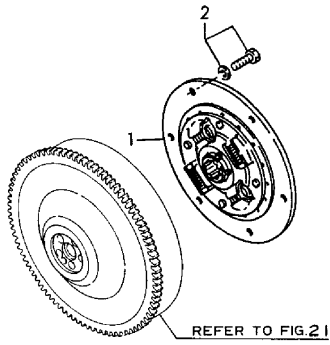
| REF. | LEV. | PARTS NO.    | DESCRIPTION         | QTY |     |     |     |     |     | I | R   |
|------|------|--------------|---------------------|-----|-----|-----|-----|-----|-----|---|-----|
|      |      |              |                     | (A) | (B) | (C) | (D) | (E) | (F) |   |     |
| 1    | 1    | 128170-81030 | CLUTCH KM2A I=2.21  | 1   |     | 1   |     |     |     |   |     |
| 1-1  | 1    | 128171-81010 | CLUTCH KM2C I=2.21  | 1   |     | 1   |     |     |     |   | F 1 |
|      |      | (A=E00358)   | (C=E00120)          |     |     |     |     |     |     |   |     |
| I    | 1-2  | 128171-81110 | CLUTCH KM2P I=2.21  | 1   |     | 1   |     |     |     |   | N   |
|      |      | (A=E03414)   | (C=E00285)          |     |     |     |     |     |     |   |     |
| 2    | 1    | 128170-81010 | CLUTCH KM2A I=2.62  | 1   |     | 1   |     |     |     |   |     |
| 2-1  | 1    | 128171-81020 | CLUTCH KM2C I=2.62  | 1   |     | 1   |     |     |     |   | F 1 |
|      |      | (A=E00358)   | (C=E00120)          |     |     |     |     |     |     |   |     |
| I    | 2-2  | 128171-81120 | CLUTCH KM2P I=2.62  | 1   |     | 1   |     |     |     |   | N   |
|      |      | (A=E03414)   | (C=E00285)          |     |     |     |     |     |     |   |     |
| 3    | 1    | 128170-81020 | CLUTCH KM2A I=3.22  | 1   |     | 1   |     |     |     |   |     |
| 3-1  | 1    | 128171-81030 | CLUTCH KM2C I=3.22  | 1   |     | 1   |     |     |     |   | F 1 |
|      |      | (A=E00358)   | (C=E00120)          |     |     |     |     |     |     |   |     |
| I    | 3-2  | 128171-81130 | CLUTCH KM2P I=3.22  | 1   |     | 1   |     |     |     |   | N   |
|      |      | (A=E03414)   | (C=E00285)          |     |     |     |     |     |     |   |     |
| 4    | 1    | 128371-81050 | DISK, DAMPER        | 1   |     | 1   |     |     |     |   |     |
| I    | 4-1  | 177070-03501 | DISK (NON-ASB.)     | 1   | 1   | 1   |     |     |     |   | N   |
|      |      | (A=E10103)   | (C=E01022)          |     |     |     |     |     |     |   |     |
| 5    | 1    | 128171-81150 | SPACER              | 1   |     | 1   |     |     |     |   | Z   |
|      |      | (A=E00357)   | (C=E00120)          |     |     |     |     |     |     |   |     |
| I    | 6    | 26013-080142 | BOLT M 8X 14        | 6   | 6   | 6   |     |     |     |   |     |
| 7    | 1    | 26106-080402 | BOLT M 8X 40 PLATED | 6   |     | 6   |     |     |     |   |     |
| 7-1  | 1    | 26106-080452 | BOLT M 8X 45 PLATED | 6   |     | 6   |     |     |     |   | S   |
|      |      | (A=E00358)   | (C=E00120)          |     |     |     |     |     |     |   |     |
| 8    | 1    | 128374-81310 | CLUTCH ASSY I=2.36  |     |     | 1   |     |     |     |   |     |
| 9    | 1    | 128374-81320 | CLUTCH ASSY I=2.61  |     |     | 1   |     |     |     |   |     |
| 10   | 1    | 128374-81330 | CLUTCH ASSY I=3.20  |     |     | 1   |     |     |     |   |     |

Remarks  
 (1) INTERCHANGEABLE BY SIMULTANEOUS  
 REPLACEMENT WITH REF.5 & REF.7-1.

Fig.61.DUMPER DISK

(A)=1GM10 (D)=1GM10C  
 (B)=1GM10VE (E)=1GM10L  
 (C)=1GM10-B (F)=

Fig. **61** ダンパディスク  
 DUMPER DISK

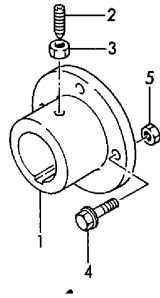


| REF.  | LEV. | PARTS NO.    | DESCRIPTION     | Q'TY |     |     |     |     |     | I | R |   |
|-------|------|--------------|-----------------|------|-----|-----|-----|-----|-----|---|---|---|
|       |      |              |                 | (A)  | (B) | (C) | (D) | (E) | (F) |   |   |   |
| 1     | 1    | 128371-81050 | DISK, DAMPER    |      |     |     | 1   |     |     |   |   |   |
| I 1-1 | 1    | 177070-03501 | DISK (NON-ASB.) |      |     |     | 1   |     |     |   |   | N |
|       |      |              | (D=E01018)      |      |     |     |     |     |     |   |   |   |
| 2     | 1    | 26013-080142 | BOLT M 8X 14    |      |     |     | 6   |     |     |   |   |   |

Fig.62.TAPER COUPLING

(A)=1GM10 (D)=1GM10C  
 (B)=1GM10VE (E)=1GM10L  
 (C)=1GM10-B (F)=

Fig. **62** テーパーカップリング  
 TAPER COUPLING



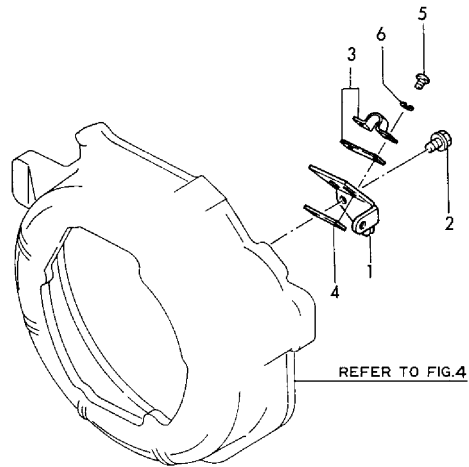
| REF.  | LEV. | PARTS NO.    | DESCRIPTION                      | QTY |     |     |     |     |     | I | R |   |
|-------|------|--------------|----------------------------------|-----|-----|-----|-----|-----|-----|---|---|---|
|       |      |              |                                  | (A) | (B) | (C) | (D) | (E) | (F) |   |   |   |
| 1     | 1    | 48110-522361 | COUPLING 22, TAPER               | 1   | 1   | 1   |     |     |     |   | 1 |   |
| I 1-1 | 1    | 48110-025063 | COUPLING 25, TAPER<br>(C=E01083) |     |     | 1   |     |     |     |   |   | N |
| 2     | 1    | 48110-032411 | SCREW                            | 1   | 1   | 1   |     |     |     |   |   | 1 |
| 3     | 1    | 26756-080002 | LOCK NUT M 8 PLATED              | 1   | 1   | 1   |     |     |     |   |   | 1 |
| 4     | 1    | 26106-100322 | BOLT M10X 32 PLATED              | 4   | 4   | 4   |     |     |     |   |   | 1 |
| 5     | 1    | 26706-100002 | NUT M10                          | 4   | 4   | 4   |     |     |     |   |   | 1 |

Remarks  
 (1) OPTIONAL FOR 1GM10 & 1GM10VE

(A)=1GM10 (D)=1GM10C  
 (B)=1GM10VE (E)=1GM10L  
 (C)=1GM10-B (F)=

Fig.63.CLUTCH REMOTE CONTROL

Fig. **63** クラッチリモコン  
 CLUTCH REMOTE CONTROL



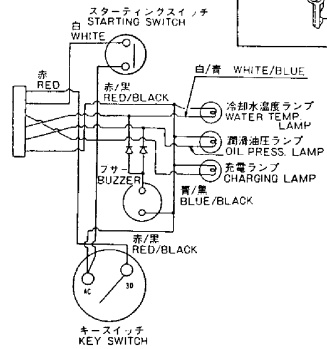
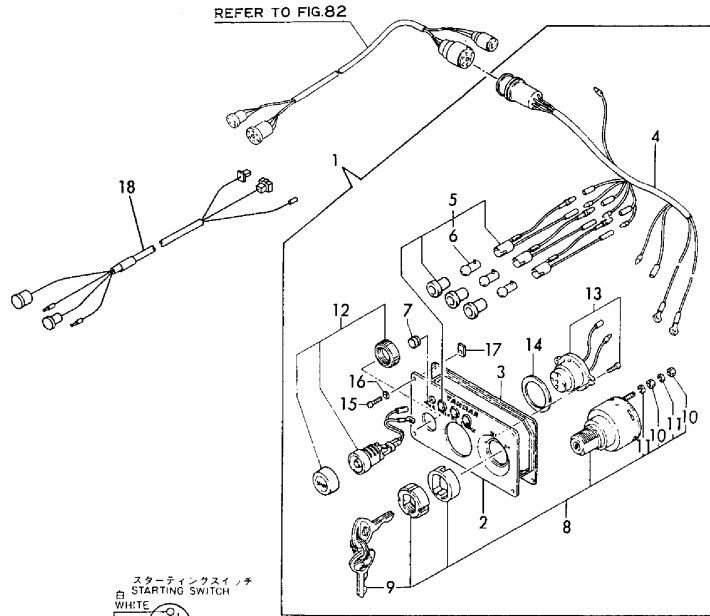
| REF. | LEV. | PARTS NO.    | DESCRIPTION         | QTY |     |     |     |     |     | I | R |
|------|------|--------------|---------------------|-----|-----|-----|-----|-----|-----|---|---|
|      |      |              |                     | (A) | (B) | (C) | (D) | (E) | (F) |   |   |
| 1    | 1    | 128170-86300 | BRACKET, CABLE      | 1   | 1   | 1   |     |     |     |   |   |
| 2    | 1    | 26106-060142 | BOLT M 6X 14 PLATED | 2   | 2   | 2   |     |     |     |   |   |
| 3    | 1    | 41710-000410 | CLAMP               | 1   | 1   | 1   |     |     |     |   |   |
| 4    | 1    | 121574-86320 | RETAINER            | 1   | 1   | 1   |     |     |     |   |   |
| 5    | 1    | 26557-050122 | SCREW M 5X 12       | 2   | 2   | 2   |     |     |     |   |   |
| 6    | 1    | 22212-050000 | SPRING WASHER 5     | 2   | 2   | 2   |     |     |     |   |   |



Fig.64.PANEL(A-TYPE)

(A)=1GM10 (D)=1GM10C  
 (B)=1GM10VE (E)=1GM10L  
 (C)=1GM10-B (F)=

Fig.64 計器盤(Aタイプ)  
 PANEL(A-TYPE)



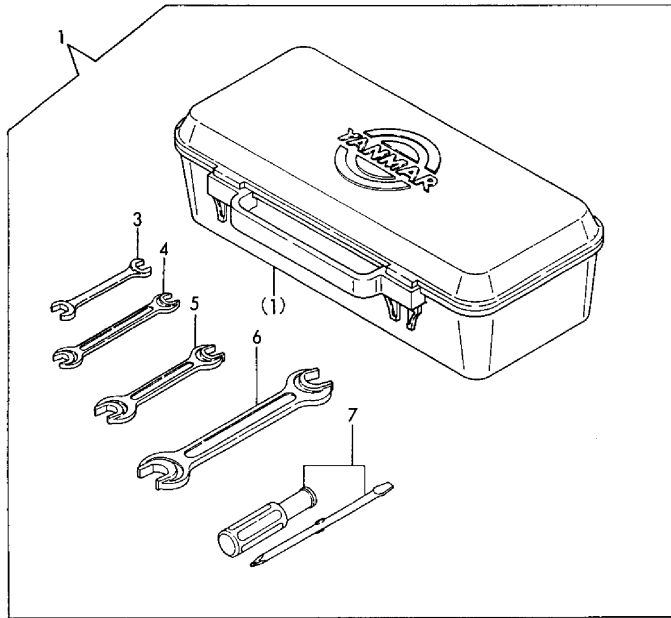
| REF. | LEV. | PARTS NO.    | DESCRIPTION          | QTY        |     |            |     |            |     | I | R |     |
|------|------|--------------|----------------------|------------|-----|------------|-----|------------|-----|---|---|-----|
|      |      |              |                      | (A)        | (B) | (C)        | (D) | (E)        | (F) |   |   |     |
| 1    | 1    | 128270-91001 | PANEL ASSY, INSTRUM  | 1          | 1   | 1          |     | 1          |     |   |   |     |
| 2    | 2    | 128270-91010 | HOUSING, PANEL       | 1          | 1   | 1          |     | 1          |     |   |   |     |
| 3    | 2    | 128270-91020 | PACKING              | 1          | 1   | 1          |     | 1          |     |   |   |     |
| 4    | 2    | 128270-91031 | HARNESS, WIRE        | 1          | 1   | 1          |     | 1          |     |   |   |     |
| 5    | 2    | 128270-91040 | LAMP, PILOT          | 3          | 3   | 3          |     | 3          |     |   |   |     |
| 6    | 3    | 46150-001110 | BULB(12V3W/G11.BA9S) | 3          | 3   | 3          |     | 3          |     |   |   |     |
| 7    | 2    | 128270-91230 | COVER                | 1          | 1   | 1          |     | 1          |     |   |   |     |
| 8    | 2    | 124070-91250 | SWITCH W/KEY         | 1          | 1   | 1          |     | 1          |     |   |   |     |
| 9    | 3    | 124070-91290 | KEY, SWITCH          | 1          | 1   | 1          |     | 1          |     |   |   |     |
| 10   | 3    | 26716-050002 | NUT M 5              | 4          | 4   | 4          |     | 4          |     |   |   |     |
| 11   | 3    | 22217-050000 | SPRING WASHER 5      | 4          | 4   | 4          |     | 4          |     |   |   |     |
| 12   | 2    | 124070-91300 | SWITCH               | 1          | 1   | 1          |     | 1          |     |   |   |     |
| 13   | 2    | 128270-91350 | BUZZER, ALARM        | 1          | 1   | 1          |     | 1          |     |   |   |     |
| 14   | 2    | 128270-91360 | PACKING, BUZZER      | 1          | 1   | 1          |     | 1          |     |   |   |     |
| 15   | 2    | 128170-91810 | SCREW M5             | 4          | 4   | 4          |     | 4          |     |   |   |     |
| 16   | 2    | 128170-91820 | WASHER 5             | 4          | 4   | 4          |     | 4          |     |   |   |     |
| 17   | 2    | 128170-91830 | PLATE NUT M5         | 4          | 4   | 4          |     | 4          |     |   |   |     |
| I 18 | 1    | 128391-77860 | HARNESS, WIRE        | 1          | 1   | 1          |     | 1          |     |   |   | W 1 |
|      |      |              |                      | (A=E12169) |     | (C=E01141) |     | (E=E00529) |     |   |   |     |

Remarks  
 (1) OPTIONAL FOR 1GM10,1GM10VE,1GM10L

Fig.65.TOOL

(A)=1GM10 (D)=1GM10C  
 (B)=1GM10VE (E)=1GM10L  
 (C)=1GM10-B (F)=

Fig. **65** 工具  
 TOOL

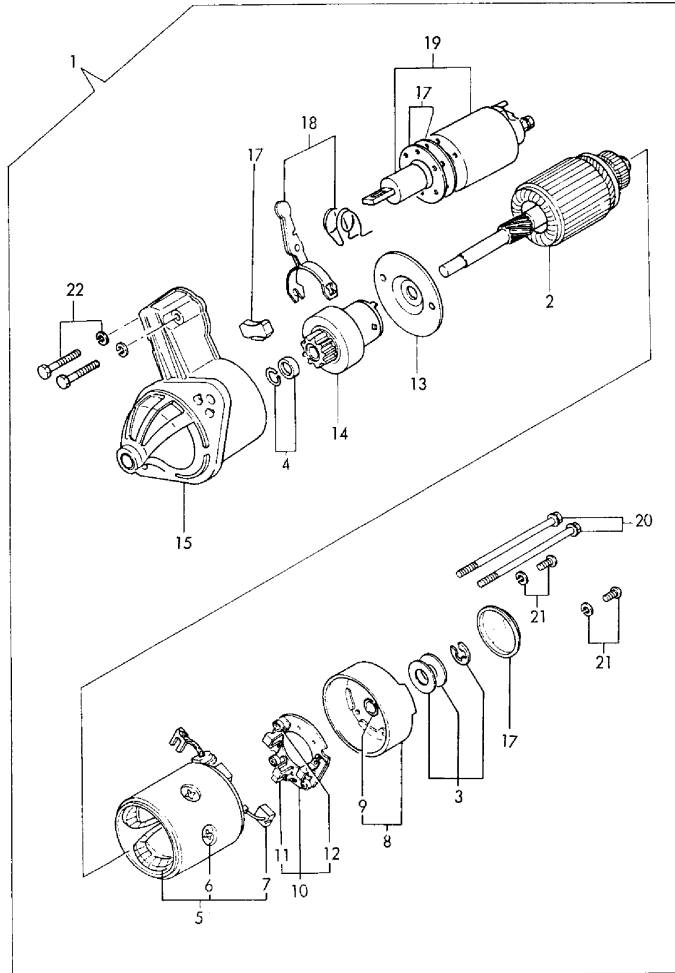


| REF. | LEV. | PARTS NO.    | DESCRIPTION    | QTY |     |     |     |     |     | I | R |
|------|------|--------------|----------------|-----|-----|-----|-----|-----|-----|---|---|
|      |      |              |                | (A) | (B) | (C) | (D) | (E) | (F) |   |   |
| 1    | 1    | 704507-92100 | BOX ASSY, TOOL | 1   | 1   | 1   | 1   | 1   |     |   |   |
| 3    | 2    | 28110-100130 | WRENCH 10X13   | 1   | 1   | 1   | 1   | 1   |     |   |   |
| 4    | 2    | 28110-120140 | WRENCH 12X14   | 1   | 1   | 1   | 1   | 1   |     |   |   |
| 5    | 2    | 28110-170190 | WRENCH 17X19   | 1   | 1   | 1   | 1   | 1   |     |   |   |
| 6    | 2    | 28110-220240 | WRENCH 22X24   | 1   | 1   | 1   | 1   | 1   |     |   |   |
| 7    | 2    | 104200-92350 | DRIVER, SCREW  | 1   | 1   | 1   | 1   | 1   |     |   |   |

(A)=1GM10 (D)=1GM10C  
 (B)=1GM10VE (E)=1GM10L  
 (C)=1GM10-B (F)=

Fig.66.STARTING MOTOR COMPONENT PART

Fig.66 スタートリングモータ インナーパーツ  
 STARTING MOTOR COMPONENT PART



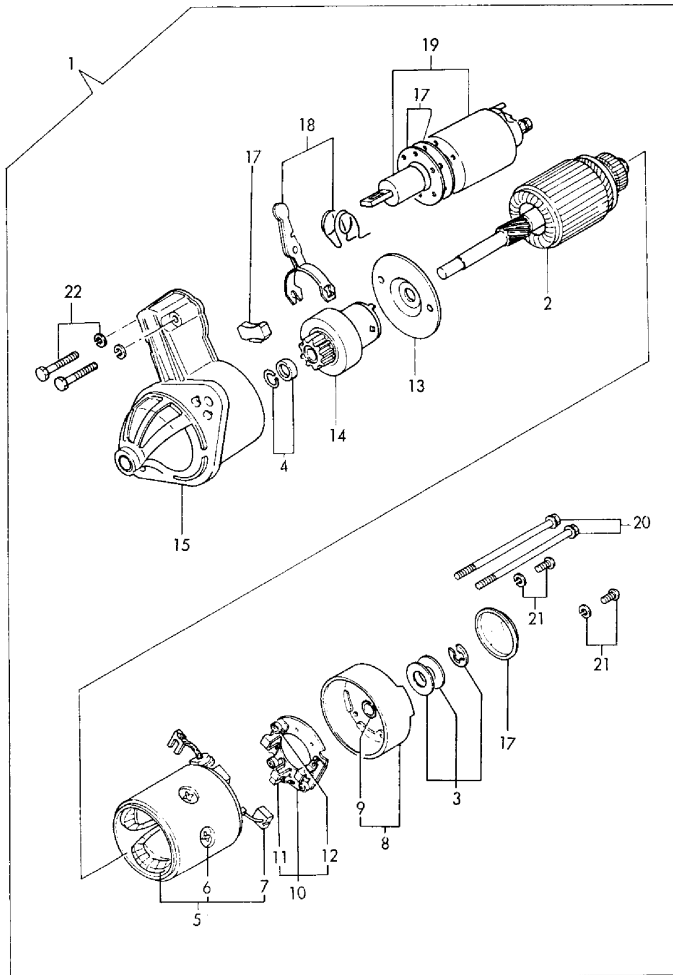
| REF. | LEV. | PARTS NO.    | DESCRIPTION         | QTY |     |     |     |     |     | I | R |
|------|------|--------------|---------------------|-----|-----|-----|-----|-----|-----|---|---|
|      |      |              |                     | (A) | (B) | (C) | (D) | (E) | (F) |   |   |
| 1    | 1    | 128170-77010 | STARTER             | 1   | 1   | 1   | 1   |     |     |   |   |
| 2    | 2    | X211451005   | ARMATURE            | 1   | 1   | 1   | 1   |     |     |   |   |
| 3    | 2    | X21148110    | WASHER SET, THRUST  | 1   | 1   | 1   | 1   |     |     |   |   |
| 4    | 2    | X21147155    | STOPPER SET, PINION | 1   | 1   | 1   | 1   |     |     |   |   |
| 5    | 2    | X211462001   | COIL ASSY, FIELD    | 1   |     |     | 1   |     |     |   | M |
| 5-1  | 2    | X211462101   | COIL ASSY, FIELD    | 1   | 1   | 1   | 1   |     |     |   |   |
| 6    | 3    | X21143215    | SCREW, CORE         | 4   | 4   | 4   | 4   |     |     |   |   |
| 7    | 3    | X21145312    | BRUSH (+)           | 2   | 2   | 2   | 2   |     |     |   |   |
| 8    | 2    | X211413005   | COVER ASSY          | 1   | 1   | 1   | 1   |     |     |   |   |
| 9    | 3    | X21145352    | METAL               | 1   | 1   | 1   | 1   |     |     |   |   |
| 10   | 2    | X211433101   | HOLDER              | 1   | 1   | 1   | 1   |     |     |   |   |
| 11   | 3    | X21148313    | BRUSH (-)           | 1   | 1   | 1   | 1   |     |     |   |   |
| 12   | 3    | X21144314    | SPRING, BRUSH       | 3   | 3   | 3   | 3   |     |     |   |   |
| 13   | 2    | X21144454    | PLATE               | 1   | 1   | 1   | 1   |     |     |   |   |
| 14   | 2    | X211415006   | PINION ASSY         | 1   | 1   | 1   | 1   |     |     |   |   |
| 15   | 2    | X211476503   | CASE ASSY           | 1   | 1   | 1   | 1   |     |     |   |   |
| 16   | 3    | X21144661    | METAL, GEAR CASE    | 1   | 1   | 1   | 1   |     |     |   | M |
| 17   | 2    | X21146963    | COVER               | 1   | 1   | 1   | 1   |     |     |   |   |
| 18   | 2    | X21149652    | LEVER SET, SHIFT    | 1   | 1   | 1   | 1   |     |     |   |   |
| 19   | 2    | X211447009   | SWITCH              | 1   | 1   | 1   | 1   |     |     |   |   |
| 20   | 2    | X21148852    | BOLT, THROUGH       | 2   | 2   | 2   | 2   |     |     |   |   |
| 21   | 2    | X0630412     | BOLT M 4X 12        | 2   |     | 2   | 2   |     |     |   | M |
| 21-1 | 2    | X21142835    | SCREW SET           | 2   | 2   | 2   | 2   |     |     |   |   |
| 22   | 2    | 26013-060322 | BOLT M 6X 32        | 2   | 2   | 2   | 2   |     |     |   |   |

Remarks  
 (M) MISPRINT

(A)=1GM10 (D)=1GM10C  
 (B)=1GM10VE (E)=1GM10L  
 (C)=1GM10-B (F)=

Fig.66.STARTING MOTOR COMPONENT PART

Fig.66 スタートリングモータ インナーパーツ  
 STARTING MOTOR COMPONENT PART



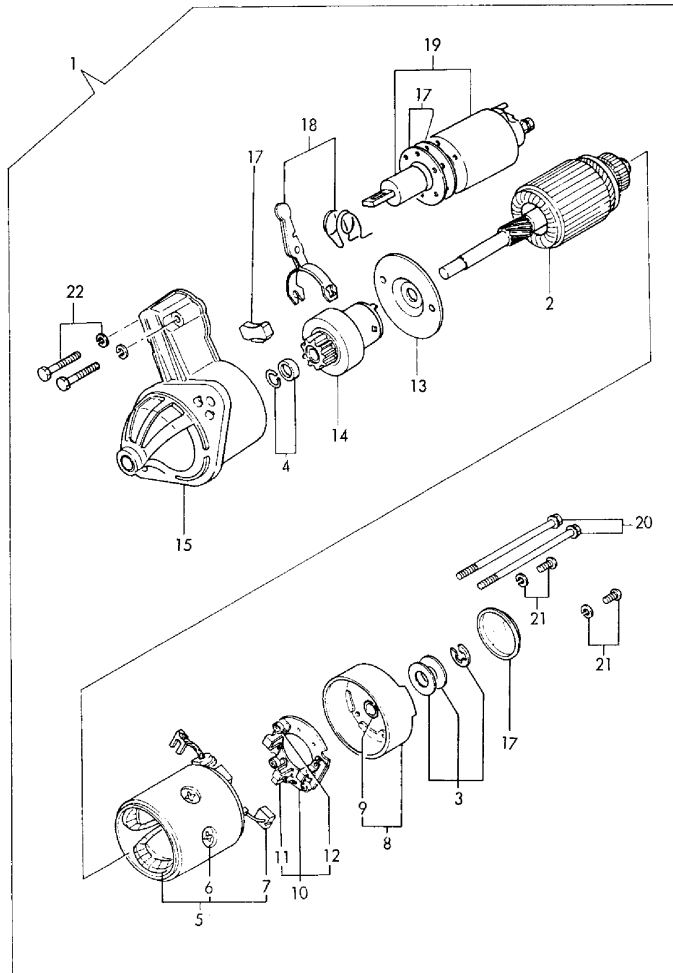
| REF. | LEV. | PARTS NO.    | DESCRIPTION         | QTY |     |     |     |     |     | I | R |
|------|------|--------------|---------------------|-----|-----|-----|-----|-----|-----|---|---|
|      |      |              |                     | (A) | (B) | (C) | (D) | (E) | (F) |   |   |
| 1    | 1    | 128170-77010 | STARTER             | 1   | 1   | 1   | 1   |     |     |   |   |
| 2    | 2    | X211451005   | ARMATURE            | 1   | 1   | 1   | 1   |     |     |   |   |
| 3    | 2    | X21148110    | WASHER SET, THRUST  | 1   | 1   | 1   | 1   |     |     |   |   |
| 4    | 2    | X21147155    | STOPPER SET, PINION | 1   | 1   | 1   | 1   |     |     |   |   |
| 5    | 2    | X211462001   | COIL ASSY, FIELD    | 1   |     |     | 1   |     |     |   | M |
| 5-1  | 2    | X211462101   | COIL ASSY, FIELD    | 1   | 1   | 1   | 1   |     |     |   |   |
| 6    | 3    | X21143215    | SCREW, CORE         | 4   | 4   | 4   | 4   |     |     |   |   |
| 7    | 3    | X21145312    | BRUSH (+)           | 2   | 2   | 2   | 2   |     |     |   |   |
| 8    | 2    | X211413005   | COVER ASSY          | 1   | 1   | 1   | 1   |     |     |   |   |
| 9    | 3    | X21145352    | METAL               | 1   | 1   | 1   | 1   |     |     |   |   |
| 10   | 2    | X211433101   | HOLDER              | 1   | 1   | 1   | 1   |     |     |   |   |
| 11   | 3    | X21148313    | BRUSH (-)           | 1   | 1   | 1   | 1   |     |     |   |   |
| 12   | 3    | X21144314    | SPRING, BRUSH       | 3   | 3   | 3   | 3   |     |     |   |   |
| 13   | 2    | X21144454    | PLATE               | 1   | 1   | 1   | 1   |     |     |   |   |
| 14   | 2    | X211415006   | PINION ASSY         | 1   | 1   | 1   | 1   |     |     |   |   |
| 15   | 2    | X211476503   | CASE ASSY           | 1   | 1   | 1   | 1   |     |     |   |   |
| 16   | 3    | X21144661    | METAL, GEAR CASE    | 1   | 1   | 1   | 1   |     |     |   | M |
| 17   | 2    | X21146963    | COVER               | 1   | 1   | 1   | 1   |     |     |   |   |
| 18   | 2    | X21149652    | LEVER SET, SHIFT    | 1   | 1   | 1   | 1   |     |     |   |   |
| 19   | 2    | X211447009   | SWITCH              | 1   | 1   | 1   | 1   |     |     |   |   |
| 20   | 2    | X21148852    | BOLT, THROUGH       | 2   | 2   | 2   | 2   |     |     |   |   |
| 21   | 2    | X0630412     | BOLT M 4X 12        | 2   |     | 2   | 2   |     |     |   | M |
| 21-1 | 2    | X21142835    | SCREW SET           | 2   | 2   | 2   | 2   |     |     |   |   |
| 22   | 2    | 26013-060322 | BOLT M 6X 32        | 2   | 2   | 2   | 2   |     |     |   |   |

Remarks  
 (M) MISPRINT

(A)=1GM10 (D)=1GM10C  
 (B)=1GM10VE (E)=1GM10L  
 (C)=1GM10-B (F)=

Fig.66.STARTING MOTOR COMPONENT PART

Fig.66 スタートリングモータ インナーパーツ  
 STARTING MOTOR COMPONENT PART



| REF. | LEV. | PARTS NO.    | DESCRIPTION         | QTY |     |     |     |     |     | I | R |
|------|------|--------------|---------------------|-----|-----|-----|-----|-----|-----|---|---|
|      |      |              |                     | (A) | (B) | (C) | (D) | (E) | (F) |   |   |
| 1    | 1    | 128170-77010 | STARTER             | 1   | 1   | 1   | 1   |     |     |   |   |
| 2    | 2    | X211451005   | ARMATURE            | 1   | 1   | 1   | 1   |     |     |   |   |
| 3    | 2    | X21148110    | WASHER SET, THRUST  | 1   | 1   | 1   | 1   |     |     |   |   |
| 4    | 2    | X21147155    | STOPPER SET, PINION | 1   | 1   | 1   | 1   |     |     |   |   |
| 5    | 2    | X211462001   | COIL ASSY, FIELD    | 1   |     |     | 1   | 1   |     |   | M |
| 5-1  | 2    | X211462101   | COIL ASSY, FIELD    | 1   | 1   | 1   | 1   |     |     |   |   |
| 6    | 3    | X21143215    | SCREW, CORE         | 4   | 4   | 4   | 4   |     |     |   |   |
| 7    | 3    | X21145312    | BRUSH (+)           | 2   | 2   | 2   | 2   |     |     |   |   |
| 8    | 2    | X211413005   | COVER ASSY          | 1   | 1   | 1   | 1   |     |     |   |   |
| 9    | 3    | X21145352    | METAL               | 1   | 1   | 1   | 1   |     |     |   |   |
| 10   | 2    | X211433101   | HOLDER              | 1   | 1   | 1   | 1   |     |     |   |   |
| 11   | 3    | X21148313    | BRUSH (-)           | 1   | 1   | 1   | 1   |     |     |   |   |
| 12   | 3    | X21144314    | SPRING, BRUSH       | 3   | 3   | 3   | 3   |     |     |   |   |
| 13   | 2    | X21144454    | PLATE               | 1   | 1   | 1   | 1   |     |     |   |   |
| 14   | 2    | X211415006   | PINION ASSY         | 1   | 1   | 1   | 1   |     |     |   |   |
| 15   | 2    | X211476503   | CASE ASSY           | 1   | 1   | 1   | 1   |     |     |   |   |
| 16   | 3    | X21144661    | METAL, GEAR CASE    | 1   | 1   | 1   | 1   |     |     |   | M |
| 17   | 2    | X21146963    | COVER               | 1   | 1   | 1   | 1   |     |     |   |   |
| 18   | 2    | X21149652    | LEVER SET, SHIFT    | 1   | 1   | 1   | 1   |     |     |   |   |
| 19   | 2    | X211447009   | SWITCH              | 1   | 1   | 1   | 1   |     |     |   |   |
| 20   | 2    | X21148852    | BOLT, THROUGH       | 2   | 2   | 2   | 2   |     |     |   |   |
| 21   | 2    | X0630412     | BOLT M 4X 12        | 2   |     | 2   | 2   |     |     |   | M |
| 21-1 | 2    | X21142835    | SCREW SET           | 2   | 2   | 2   | 2   |     |     |   |   |
| 22   | 2    | 26013-060322 | BOLT M 6X 32        | 2   | 2   | 2   | 2   |     |     |   |   |

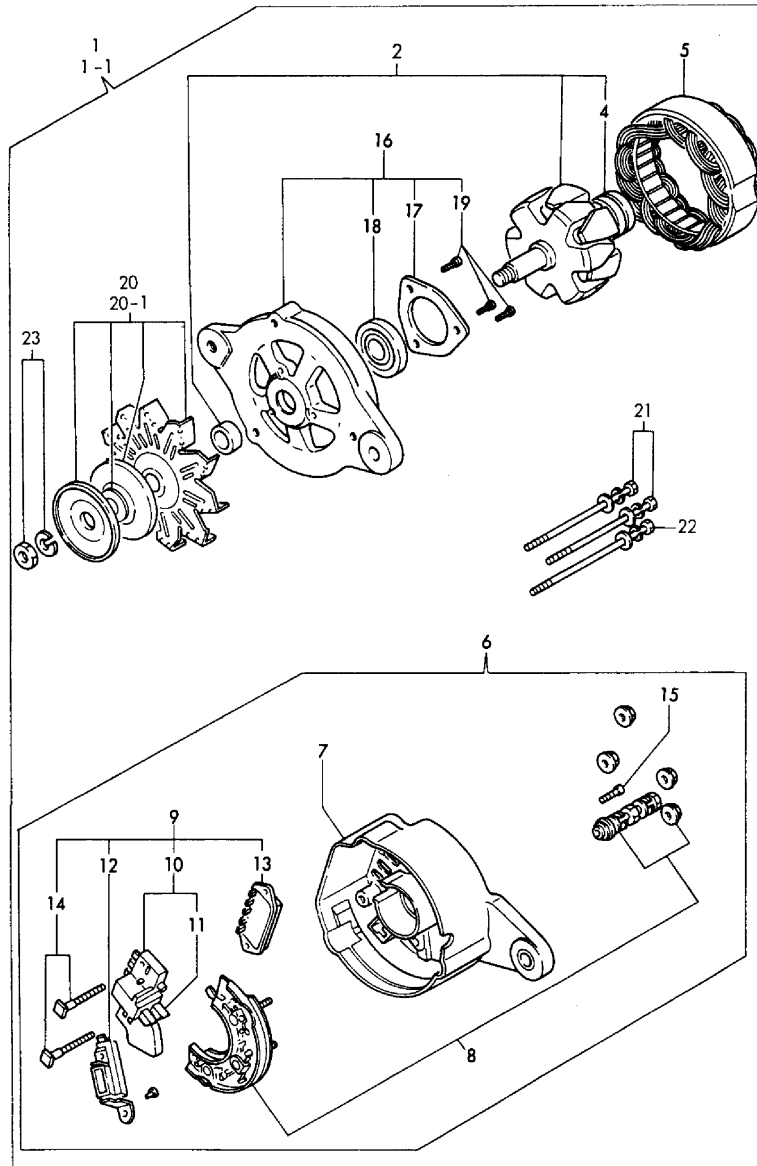
Remarks  
 (M) MISPRINT



(A)=1GM10 (D)=1GM10C  
 (B)=1GM10VE (E)=1GM10L  
 (C)=1GM10-B (F)=

Fig.68.GENERATOR COMPONENT PART

Fig.68 ジェネレータ インナーパーツ  
 GENERATOR COMPONENT PART

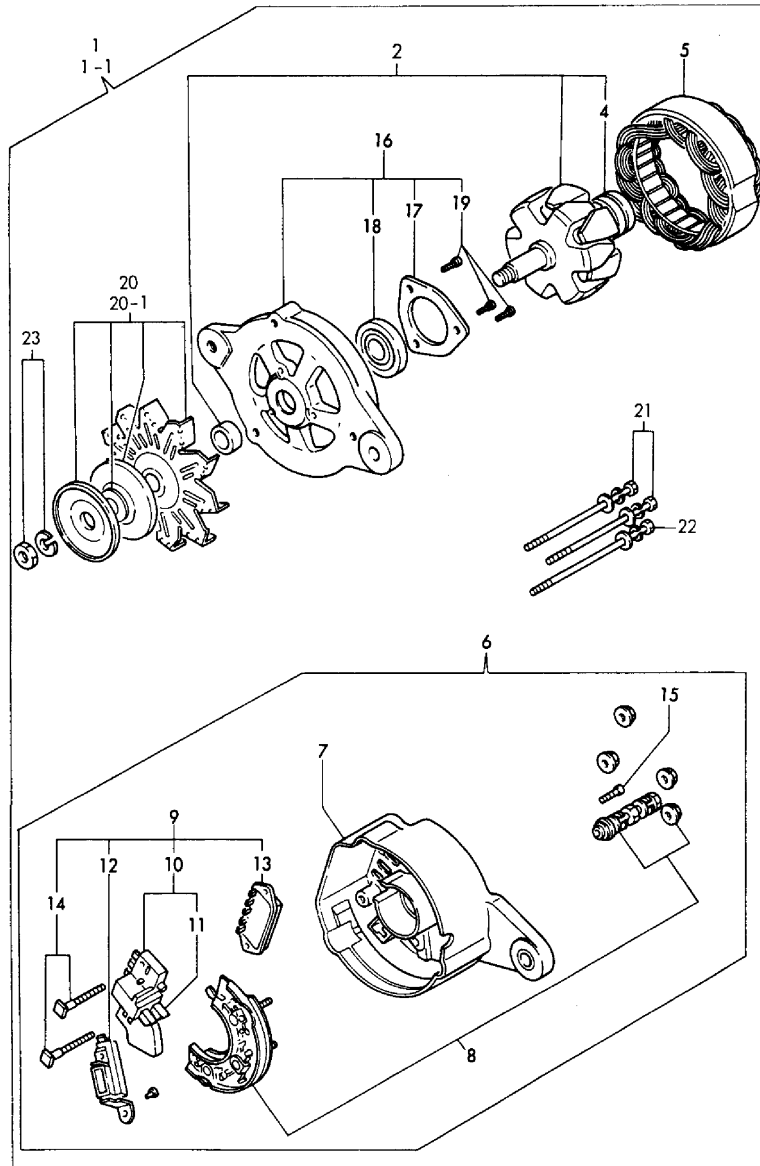


| REF. | LEV. | PARTS NO.    | DESCRIPTION          | QTY        |            |     |     |     |     | I | R |
|------|------|--------------|----------------------|------------|------------|-----|-----|-----|-----|---|---|
|      |      |              |                      | (A)        | (B)        | (C) | (D) | (E) | (F) |   |   |
| 1    | 1    | 128270-77200 | GENERATOR(12V-35A)   | 1          | 1          | 1   | 1   |     |     |   |   |
| 1-1  | 1    | 128171-77200 | GENERATOR            | 1          | 1          | 1   | 1   | 1   |     |   | S |
|      |      | (A=E03691)   | (C=E00336)           | (D=E00341) | (E=E00218) |     |     |     |     |   |   |
| 2    | 2    | XL13561001   | ROTOR ASSY           | 1          | 1          | 1   | 1   | 1   |     |   |   |
| 4    | 3    | X6201SD      | BALL BEARING         | 1          | 1          | 1   | 1   | 1   |     |   |   |
| 5    | 2    | XL13542001   | STATER ASSY          | 1          | 1          | 1   | 1   | 1   |     |   |   |
| 6    | 2    | XL13563003   | COVER ASSY           | 1          | 1          | 1   | 1   | 1   |     |   |   |
| 7    | 3    | XL1358301    | COVER                | 1          | 1          | 1   | 1   | 1   |     |   |   |
| 8    | 3    | XL1353320    | DIODE ASSY           | 1          | 1          | 1   | 1   | 1   |     |   |   |
| 9    | 3    | XL13513152   | REGULATOR            | 1          | 1          | 1   | 1   | 1   |     |   |   |
| 10   | 4    | XL1354326    | BRUSH, CARBON        | 1          | 1          | 1   | 1   | 1   |     |   | 1 |
| 11   | 4    | XL12013262   | BRUSH                | 2          | 2          | 2   | 2   | 2   |     |   |   |
| 12   | 4    | XL1352318    | CONDENSER ASSY       | 1          | 1          | 1   | 1   | 1   |     |   |   |
| 13   | 4    | XTR1Z63      | REGULATOR            | 1          | 1          | 1   | 1   | 1   |     |   |   |
| 14   | 4    | XL13513134   | BOLT M5              | 2          | 2          | 2   | 2   | 2   |     |   |   |
| 15   | 3    | 26557-050142 | SCREW M 5X 14        | 1          | 1          | 1   | 1   | 1   |     |   |   |
| 16   | 2    | XL1359400    | COVER ASSY, FRONT    | 1          | 1          | 1   | 1   | 1   |     |   |   |
| 17   | 3    | XL13514042   | RETAINER             | 1          | 1          | 1   | 1   | 1   |     |   |   |
| 18   | 3    | X6302BM      | BALL BEARING         | 1          | 1          | 1   | 1   | 1   |     |   |   |
| 19   | 3    | 26557-040122 | SCREW M 4X 12,PAN HD | 3          | 3          | 3   | 3   | 3   |     |   |   |
| 20   | 2    | XL13525001   | PULLEY ASSY          | 1          | 1          | 1   | 1   | 1   |     |   |   |
| 20-1 | 2    | XL13595003   | PULLEY ASSY.         | 1          | 1          | 1   | 1   | 1   |     |   | S |
|      |      | (A=E03691)   | (C=E00336)           | (D=E00341) | (E=E00218) |     |     |     |     |   |   |
| 21   | 2    | XL1254801    | BOLT, THROUGH        | 2          | 2          | 2   | 2   | 2   |     |   |   |
| 22   | 2    | XL1255801    | BOLT, THROUGH        | 1          | 1          | 1   | 1   | 1   |     |   |   |
| 23   | 2    | XB495469B    | NUT ASSY, PULLEY     | 1          | 1          | 1   | 1   | 1   |     |   |   |

(A)=1GM10 (D)=1GM10C  
 (B)=1GM10VE (E)=1GM10L  
 (C)=1GM10-B (F)=

Fig.68.GENERATOR COMPONENT PART

Fig.68 ジェネレータ インナーパーツ  
 GENERATOR COMPONENT PART

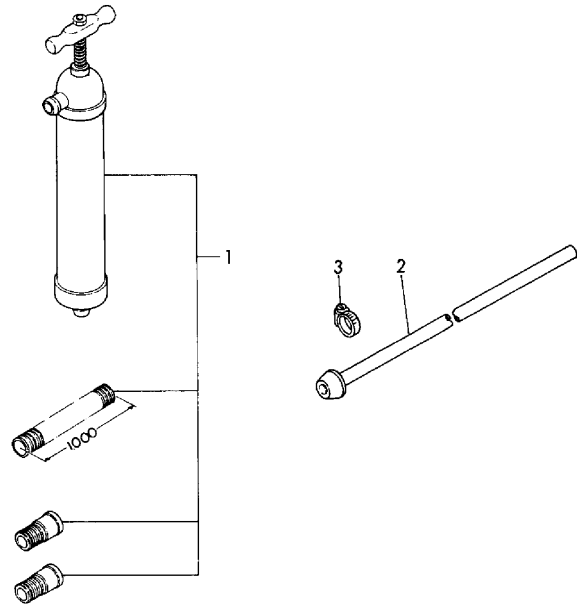


| REF. | LEV. | PARTS NO.    | DESCRIPTION          | QTY        |            |     |     |     |     | I | R |
|------|------|--------------|----------------------|------------|------------|-----|-----|-----|-----|---|---|
|      |      |              |                      | (A)        | (B)        | (C) | (D) | (E) | (F) |   |   |
| 1    | 1    | 128270-77200 | GENERATOR(12V-35A)   | 1          | 1          | 1   | 1   | 1   |     |   |   |
| 1-1  | 1    | 128171-77200 | GENERATOR            | 1          | 1          | 1   | 1   | 1   |     |   | S |
|      |      | (A=E03691)   | (C=E00336)           | (D=E00341) | (E=E00218) |     |     |     |     |   |   |
| 2    | 2    | XL13561001   | ROTOR ASSY           | 1          | 1          | 1   | 1   | 1   |     |   |   |
| 4    | 3    | X6201SD      | BALL BEARING         | 1          | 1          | 1   | 1   | 1   |     |   |   |
| 5    | 2    | XL13542001   | STATER ASSY          | 1          | 1          | 1   | 1   | 1   |     |   |   |
| 6    | 2    | XL13563003   | COVER ASSY           | 1          | 1          | 1   | 1   | 1   |     |   |   |
| 7    | 3    | XL1358301    | COVER                | 1          | 1          | 1   | 1   | 1   |     |   |   |
| 8    | 3    | XL1353320    | DIODE ASSY           | 1          | 1          | 1   | 1   | 1   |     |   |   |
| 9    | 3    | XL13513152   | REGULATOR            | 1          | 1          | 1   | 1   | 1   |     |   |   |
| 10   | 4    | XL1354326    | BRUSH, CARBON        | 1          | 1          | 1   | 1   | 1   |     |   | 1 |
| 11   | 4    | XL12013262   | BRUSH                | 2          | 2          | 2   | 2   | 2   |     |   |   |
| 12   | 4    | XL1352318    | CONDENSER ASSY       | 1          | 1          | 1   | 1   | 1   |     |   |   |
| 13   | 4    | XTR1Z63      | REGULATOR            | 1          | 1          | 1   | 1   | 1   |     |   |   |
| 14   | 4    | XL13513134   | BOLT M5              | 2          | 2          | 2   | 2   | 2   |     |   |   |
| 15   | 3    | 26557-050142 | SCREW M 5X 14        | 1          | 1          | 1   | 1   | 1   |     |   |   |
| 16   | 2    | XL1359400    | COVER ASSY, FRONT    | 1          | 1          | 1   | 1   | 1   |     |   |   |
| 17   | 3    | XL13514042   | RETAINER             | 1          | 1          | 1   | 1   | 1   |     |   |   |
| 18   | 3    | X6302BM      | BALL BEARING         | 1          | 1          | 1   | 1   | 1   |     |   |   |
| 19   | 3    | 26557-040122 | SCREW M 4X 12,PAN HD | 3          | 3          | 3   | 3   | 3   |     |   |   |
| 20   | 2    | XL13525001   | PULLEY ASSY          | 1          | 1          | 1   | 1   | 1   |     |   |   |
| 20-1 | 2    | XL13595003   | PULLEY ASSY.         | 1          | 1          | 1   | 1   | 1   |     |   | S |
|      |      | (A=E03691)   | (C=E00336)           | (D=E00341) | (E=E00218) |     |     |     |     |   |   |
| 21   | 2    | XL1254801    | BOLT, THROUGH        | 2          | 2          | 2   | 2   | 2   |     |   |   |
| 22   | 2    | XL1255801    | BOLT, THROUGH        | 1          | 1          | 1   | 1   | 1   |     |   |   |
| 23   | 2    | XB495469B    | NUT ASSY, PULLEY     | 1          | 1          | 1   | 1   | 1   |     |   |   |



Fig.69.LUB.OIL WASTE PUMP(OPTIONAL)

Fig. **69** 潤滑油排油ポンプ(オプション)  
LUB.OIL WASTE PUMP(OPTIONAL)



Y00F5041 69.LUB.OIL WASTE PUMP(OPTIONAL)

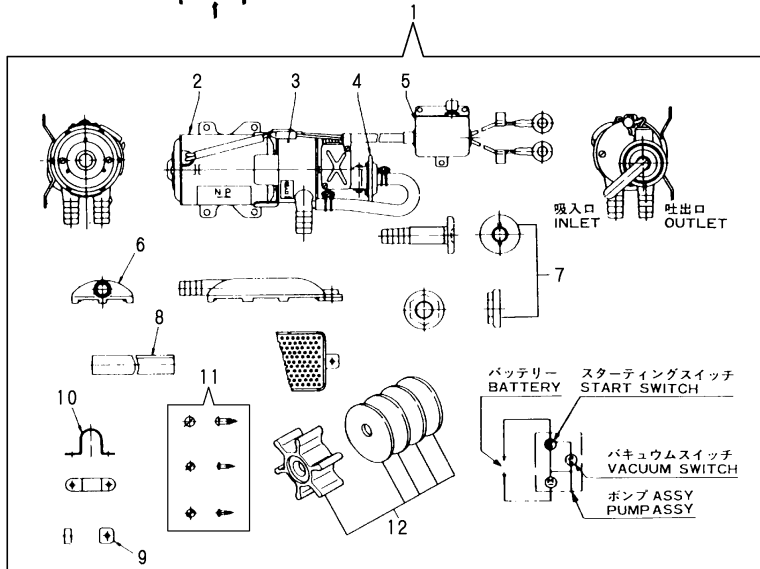
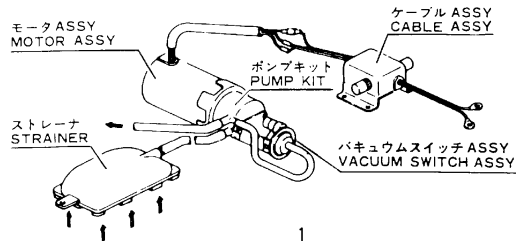
(A)=1GM10 (D)=1GM10C  
(B)=1GM10VE (E)=1GM10L  
(C)=1GM10-B (F)=

| REF. | LEV. | PARTS NO.    | DESCRIPTION   | QTY |     |     |     |     |     | I | R |
|------|------|--------------|---------------|-----|-----|-----|-----|-----|-----|---|---|
|      |      |              |               | (A) | (B) | (C) | (D) | (E) | (F) |   |   |
| 1    | 1    | 28210-000080 | PUMP          | 1   | 1   | 1   | 1   | 1   |     |   |   |
| 2    | 1    | 128275-39710 | PIPE, LUB OIL | 1   | 1   | 1   | 1   | 1   |     |   |   |
| 3    | 1    | 23080-018000 | CLAMP 18      | 3   | 3   | 3   | 3   | 3   |     |   |   |

(A)=1GM10 (D)=1GM10C  
 (B)=1GM10VE (E)=1GM10L  
 (C)=1GM10-B (F)=

Fig.70.ELECTRIC BILGE PUMP(12V)(OP)

P/C NEWS No:Y00F5041-5  
 PUBLISHED:2004/7



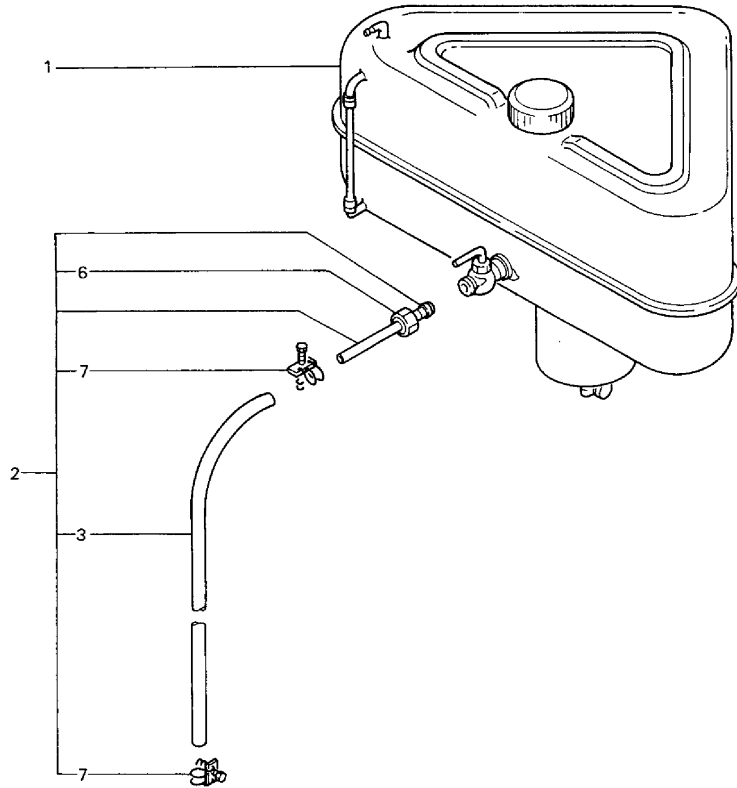
| REF. | LEV. | PARTS NO.    | DESCRIPTION        | QTY         |     |     |     |     |     | I | R |
|------|------|--------------|--------------------|-------------|-----|-----|-----|-----|-----|---|---|
|      |      |              |                    | (A)         | (B) | (C) | (D) | (E) | (F) |   |   |
| 1    | 1    | 977782-00122 | PUMP(12V), BILGE   | 1           | 1   | 1   | 1   | 1   | 1   |   |   |
| I    | 2    | 2            | XBP2901200         | MOTER ASSY. | 1   | 1   | 1   | 1   | 1   | 1 | M |
| I    | 2-1  | 2            | XBP1902200         | MOTER ASSY  | 1   | 1   | 1   | 1   | 1   | 1 |   |
| 3    | 2    | XBP1901300   | PUMP SET           | 1           | 1   | 1   | 1   | 1   | 1   |   |   |
| 4    | 2    | XBP1902400   | VACUUM SWITCH ASSY | 1           | 1   | 1   | 1   | 1   | 1   |   |   |
| 5    | 2    | XBP1905500   | CABLE ASSY.        | 1           | 1   | 1   | 1   | 1   | 1   |   |   |
| 6    | 2    | XBP1902810   | STRAINER           | 1           | 1   | 1   | 1   | 1   | 1   |   |   |
| 7    | 2    | XBP1901820   | OUTLET             | 1           | 1   | 1   | 1   | 1   | 1   |   |   |
| 8    | 2    | XBP1901830   | HOSE               | 1           | 1   | 1   | 1   | 1   | 1   |   |   |
| 9    | 2    | XBP1901910   | SPACER             | 1           | 1   | 1   | 1   | 1   | 1   |   |   |
| 10   | 2    | XBP1901920   | CLAMP              | 1           | 1   | 1   | 1   | 1   | 1   |   |   |
| 11   | 2    | XBP1901950   | SCREW SET          | 1           | 1   | 1   | 1   | 1   | 1   |   |   |
| 12   | 2    | 947859-20010 | IMPELLER           | 1           | 1   | 1   | 1   | 1   | 1   |   |   |

Remarks  
 (M)MISPRINT:REFER TO THE NEXT ITEM.

(A)=1GM10 (D)=1GM10C  
 (B)=1GM10VE (E)=1GM10L  
 (C)=1GM10-B (F)=

Fig.71.FUEL TANK(OPTIONAL)

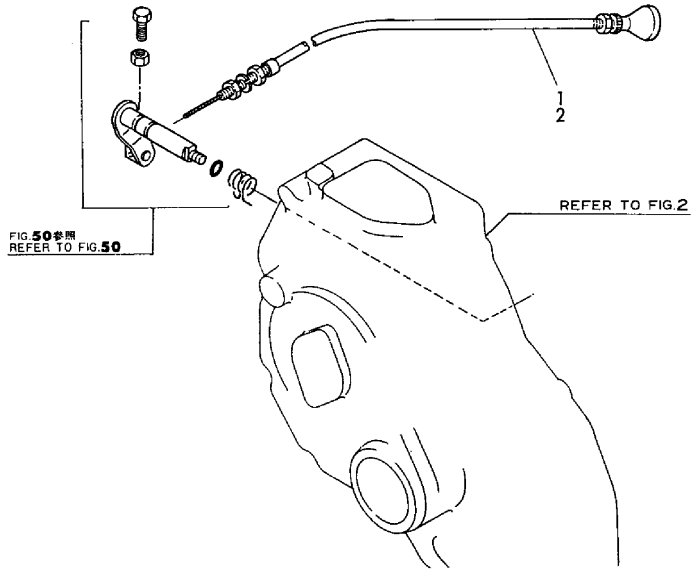
Fig.71 燃料タンク (オプション)  
 FUEL TANK (OPTIONAL)



| REF. | LEV. | PARTS NO.    | DESCRIPTION      | QTY |     |     |     |     |     | I | R |
|------|------|--------------|------------------|-----|-----|-----|-----|-----|-----|---|---|
|      |      |              |                  | (A) | (B) | (C) | (D) | (E) | (F) |   |   |
| 1    | 1    | 83213-003012 | TANK (30L), FUEL | 1   | 1   | 1   | 1   | 1   |     |   |   |
| 2    | 1    | 124070-59060 | PIPE, FUEL OIL   | 1   | 1   | 1   | 1   | 1   |     |   |   |
| 3    | 2    | 124070-59130 | PIPE, FUEL OIL   | 1   | 1   | 1   | 1   | 1   |     |   |   |
| 6    | 2    | 138603-59380 | CAP NUT          | 1   | 1   | 1   | 1   | 1   |     |   |   |
| 7    | 2    | 23010-014000 | CLAMP 14         | 2   | 2   | 2   | 2   | 2   |     |   |   |

Fig.72.ENGINE STOP CABLE(OPTIONAL)

Fig.72 機関停止ケーブル(オプション)  
ENGINE STOP CABLE(OPTIONAL)

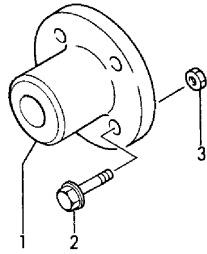


(A)=1GM10 (D)=1GM10C  
(B)=1GM10VE (E)=1GM10L  
(C)=1GM10-B (F)=

| REF. | LEV. | PARTS NO.    | DESCRIPTION       | Q'TY |     |     |     |     |     | I | R |
|------|------|--------------|-------------------|------|-----|-----|-----|-----|-----|---|---|
|      |      |              |                   | (A)  | (B) | (C) | (D) | (E) | (F) |   |   |
| 1    | 1    | 104271-67550 | CABLE L=3000      | 1    | 1   | 1   | 1   | 1   |     |   |   |
| I    | 2    | 129470-67560 | CABLE L=7000      | 1    | 1   | 1   | 1   |     |     |   | W |
|      |      | (A=EXXX)     | (C=EXXX) (D=EXXX) |      |     |     |     |     |     |   |   |

Fig.73.COUPLING(OPTIONAL)

Fig. **73** カップリング (オプション)  
COUPLING (OPTIONAL)

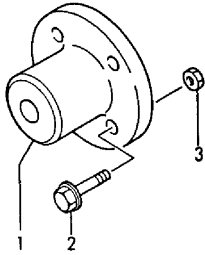


(A)=1GM10 (D)=1GM10C  
(B)=1GM10VE (E)=1GM10L  
(C)=1GM10-B (F)=

| REF. | LEV. | PARTS NO.    | DESCRIPTION          | Q'TY |     |     |     |     |     | I | R |
|------|------|--------------|----------------------|------|-----|-----|-----|-----|-----|---|---|
|      |      |              |                      | (A)  | (B) | (C) | (D) | (E) | (F) |   |   |
| 1    | 1    | 105583-85900 | COUPLING (22), SOLID | 1    | 1   |     |     |     |     |   |   |
| 2    | 1    | 26106-100322 | BOLT M10X 32 PLATED  | 4    | 4   |     |     |     |     |   |   |
| 3    | 1    | 26706-100002 | NUT M10              | 4    | 4   |     |     |     |     |   |   |

Fig.74.STRAIGHT COUPLING(OPTIONAL)

Fig. **74** ストレートカップリング (オプション)  
STRAIGHT COUPLING (OPTIONAL)



Y00F5041 74.STRAIGHT COUPLING(OPTIONAL)

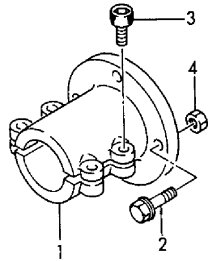
(A)=1GM10 (D)=1GM10C  
(B)=1GM10VE (E)=1GM10L  
(C)=1GM10-B (F)=

| REF. | LEV. | PARTS NO.    | DESCRIPTION         | Q'TY |     |     |     |     |     | I | R |
|------|------|--------------|---------------------|------|-----|-----|-----|-----|-----|---|---|
|      |      |              |                     | (A)  | (B) | (C) | (D) | (E) | (F) |   |   |
| 1    | 1    | 45414-500260 | COUPLING (16)       | 1    | 1   |     |     |     |     |   |   |
| 2    | 1    | 48110-032411 | SCREW               | 1    | 1   |     |     |     |     |   |   |
| 3    | 1    | 26106-100322 | BOLT M10X 32 PLATED | 4    | 4   |     |     |     |     |   |   |
| 4    | 1    | 26706-100002 | NUT M10             | 4    | 4   |     |     |     |     |   |   |

(A)=1GM10 (D)=1GM10C  
 (B)=1GM10VE (E)=1GM10L  
 (C)=1GM10-B (F)=

Fig.75.SLIT COUPLING(OPTIONAL)

Fig. **75** スリットカップリング (オプション)  
 SLIT COUPLING (OPTIONAL)

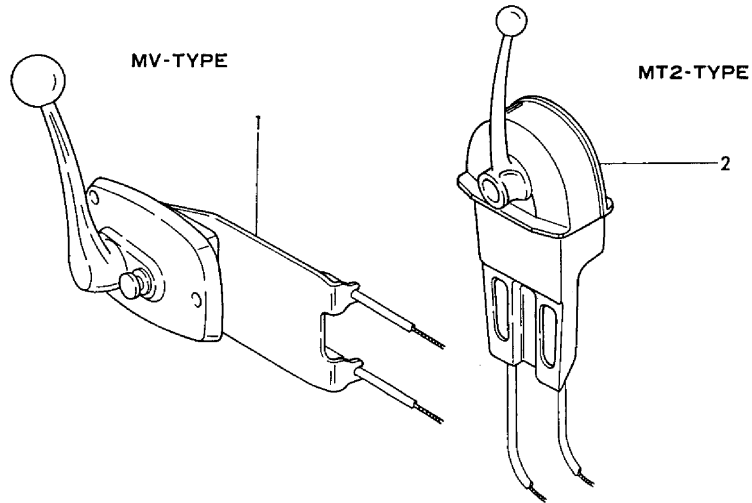


| REF. | LEV. | PARTS NO.    | DESCRIPTION         | Q'TY |     |     |     |     |     | I | R |  |
|------|------|--------------|---------------------|------|-----|-----|-----|-----|-----|---|---|--|
|      |      |              |                     | (A)  | (B) | (C) | (D) | (E) | (F) |   |   |  |
| 1    | 1    | 104214-83980 | COUPLING (20), SLIT | 1    | 1   | 1   |     |     |     |   |   |  |
| 2    | 1    | 26106-100322 | BOLT M10X 32 PLATED | 4    | 4   | 4   |     |     |     |   |   |  |
| 3    | 1    | 26450-080282 | BOLT M 8X 28        | 4    | 4   | 4   |     |     |     |   |   |  |
| 4    | 1    | 26706-100002 | NUT M10             | 4    | 4   | 4   |     |     |     |   |   |  |

Fig.76.SINGLE LEVER CONTROL(OPTIONAL)

(A)=1GM10 (D)=1GM10C  
 (B)=1GM10VE (E)=1GM10L  
 (C)=1GM10-B (F)=

Fig. **76** シングルレバーコントロール(オプション)  
 SINGLE LEVER CONTROL (OPTIONAL)



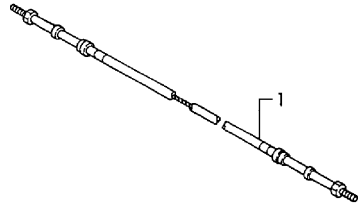
| REF. | LEV. | PARTS NO.    | DESCRIPTION          | QTY        |     |     |     |     |     | I | R |
|------|------|--------------|----------------------|------------|-----|-----|-----|-----|-----|---|---|
|      |      |              |                      | (A)        | (B) | (C) | (D) | (E) | (F) |   |   |
| 1    | 1    | 128170-86500 | MOUNT                | 1          | 1   | 1   | 1   |     |     |   |   |
| 2    | 1    | 41730-000680 | HEAD, REMOTE-CONTROL | 1          |     | 1   | 1   |     |     |   |   |
| I    | 2-1  | 41730-000681 | MT-3 REMO-CON        | 1          | 1   | 1   | 1   |     |     |   | S |
|      |      | (A=E11631)   | (C=E01139)           | (D=E01269) |     |     |     |     |     |   |   |



Fig.77.MORSE CABLE

(A)=1GM10 (D)=1GM10C  
 (B)=1GM10VE (E)=1GM10L  
 (C)=1GM10-B (F)=

Fig. **77** モースケーブル(オプション)  
 MORSE CABLE (OPTIONAL)

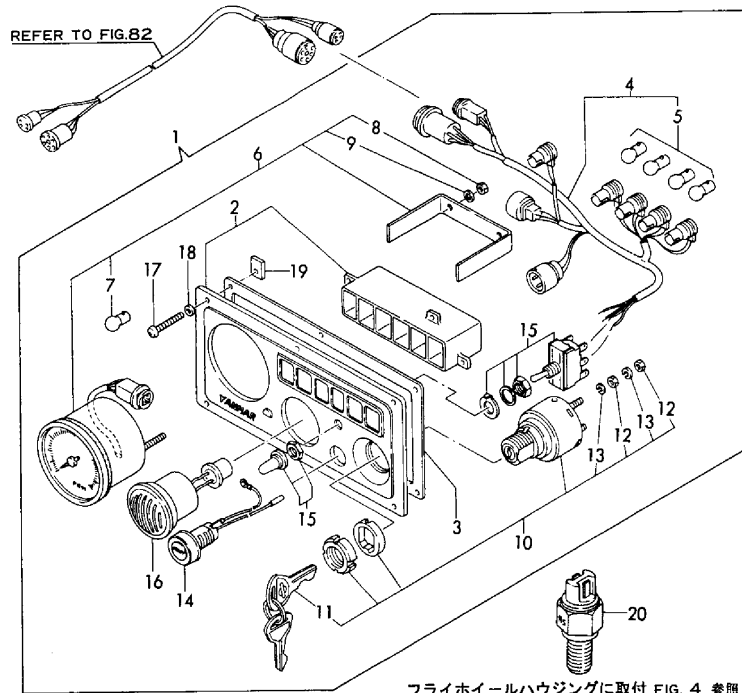


| REF. | LEV. | PARTS NO.    | DESCRIPTION  | Q'TY |     |     |     |     |     | I | R |
|------|------|--------------|--------------|------|-----|-----|-----|-----|-----|---|---|
|      |      |              |              | (A)  | (B) | (C) | (D) | (E) | (F) |   |   |
| 1    | 1    | 41710-000380 | CABLE L=4000 | 2    | 2   | 2   | 2   | 1   |     |   |   |

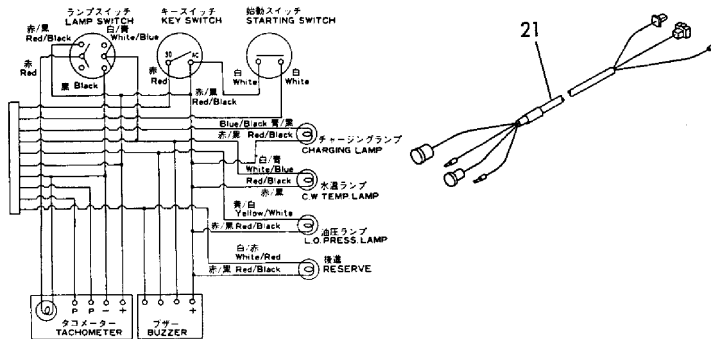
(A)=1GM10 (D)=1GM10C  
 (B)=1GM10VE (E)=1GM10L  
 (C)=1GM10-B (F)=

Fig.78.PANEL(B-TYPE)(OPTIONAL)

Fig.78 計器盤(Bタイプ)(オプション)  
 PANEL(B-TYPE)(OPTIONAL)



フライホイールハウジングに取付 FIG. 4 参照  
 FIX TO FLYWHEEL HOUSING, REFER TO FIG.4



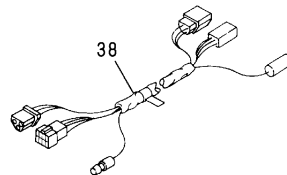
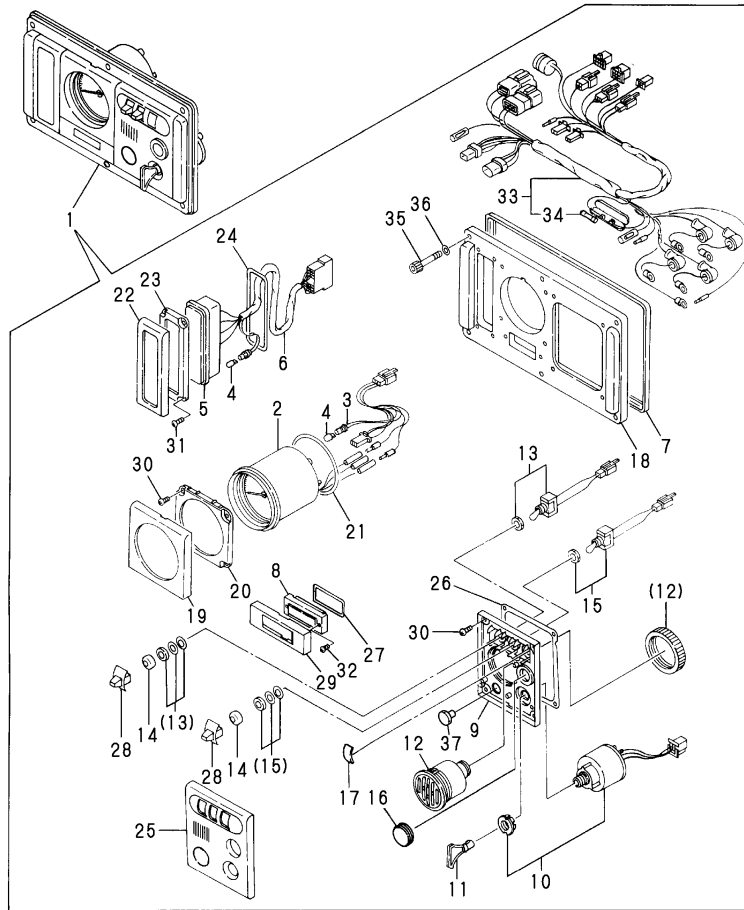
| REF. | LEV. | PARTS NO.    | DESCRIPTION          | QTY        |     |            |     |            |     | I | R |
|------|------|--------------|----------------------|------------|-----|------------|-----|------------|-----|---|---|
|      |      |              |                      | (A)        | (B) | (C)        | (D) | (E)        | (F) |   |   |
| 1    | 1    | 128170-91001 | PANEL ASSY, INSTRUM  | 1          | 1   | 1          | 1   |            |     |   |   |
| I    | 2    | 128170-91010 | HOUSING, PANEL       | 1          | 1   | 1          | 1   |            |     |   |   |
| I    | 3    | 128170-91020 | GASKET               | 1          | 1   | 1          | 1   |            |     |   |   |
| I    | 4    | 128170-91031 | HARNESS, WIRE        | 1          | 1   | 1          | 1   |            |     |   |   |
| I    | 5    | 46150-001110 | BULB(12V3W/G11.BA9S) | 4          | 4   | 4          | 4   |            |     |   |   |
| I    | 6    | 128170-91100 | TACHOMETER (P=97)    | 1          | 1   | 1          | 1   |            |     |   |   |
| I    | 7    | 46150-001110 | BULB(12V3W/G11.BA9S) | 1          | 1   | 1          | 1   |            |     |   |   |
| I    | 8    | 26716-050002 | NUT M 5              | 2          | 2   | 2          | 2   |            |     |   |   |
| I    | 9    | 22217-050000 | SPRING WASHER 5      | 2          | 2   | 2          | 2   |            |     |   |   |
| I    | 10   | 124070-91250 | SWITCH W/KEY         | 1          | 1   | 1          | 1   |            |     |   |   |
| I    | 11   | 124070-91290 | KEY, SWITCH          | 1          | 1   | 1          | 1   |            |     |   |   |
| I    | 12   | 26716-050002 | NUT M 5              | 4          | 4   | 4          | 4   |            |     |   |   |
| I    | 13   | 22217-050000 | SPRING WASHER 5      | 4          | 4   | 4          | 4   |            |     |   |   |
| I    | 14   | 124070-91300 | SWITCH               | 1          | 1   | 1          | 1   |            |     |   |   |
| I    | 15   | 128170-91310 | SWITCH, LAMP         | 1          | 1   | 1          | 1   |            |     |   |   |
| I    | 16   | 104271-91351 | BUZZER               | 1          | 1   | 1          | 1   |            |     |   |   |
| I    | 17   | 128170-91810 | SCREW M5             | 6          | 6   | 6          | 6   |            |     |   |   |
| I    | 18   | 128170-91820 | WASHER 5             | 6          | 6   | 6          | 6   |            |     |   |   |
| I    | 19   | 128170-91830 | PLATE NUT M5         | 6          | 6   | 6          | 6   |            |     |   |   |
| I    | 20   | 128170-91160 | SENSOR, TACHOMETER   | 1          | 1   | 1          | 1   |            |     |   |   |
| I    | 21   | 128391-77860 | HARNESS, WIRE        | 1          | 1   | 1          | 1   |            |     |   | W |
|      |      |              |                      | (A=E12169) |     | (C=E01141) |     | (D=E01339) |     |   |   |

(A)=1GM10 (D)=1GM10C  
 (B)=1GM10VE (E)=1GM10L  
 (C)=1GM10-B (F)=

Fig.79.PANEL(B-TYPE)(NEW)(OPTIONAL)

P/C NEWS No:Y00F5041-3  
 PUBLISHED:2003/7

Fig. 79 計器盤 (Bタイプ, 新形, オプション)  
 INSTRUMENT PANEL (B-TYPE, NEW, OPTIONAL)



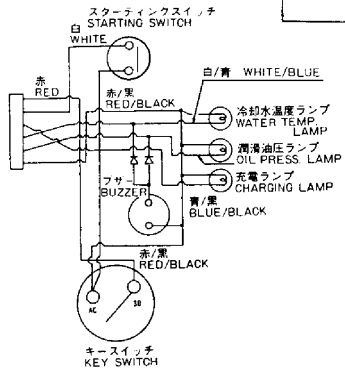
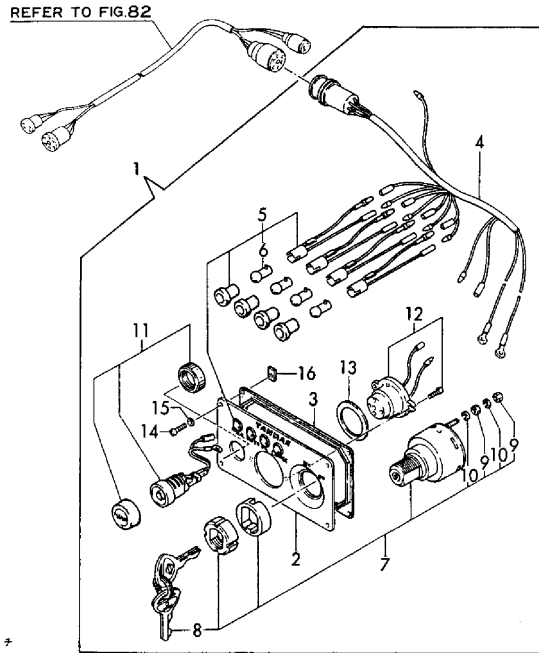
Remarks  
 (1)FOR 1GM10B TYPE NEW PANEL  
 (E/#01141)  
 (M)MISPRINT-REFER TO THE NEXT ITEM.

| REF.  | LEV. | PARTS NO.    | DESCRIPTION         | QTY |     |     |     |     |     | I | R |   |
|-------|------|--------------|---------------------|-----|-----|-----|-----|-----|-----|---|---|---|
|       |      |              |                     | (A) | (B) | (C) | (D) | (E) | (F) |   |   |   |
| 1     | 1    | 128391-91130 | PANEL ASSY, INSTRUM |     |     |     | 1   |     |     |   |   | 1 |
| 2     | 2    | 128391-91200 | METER, TACHO./HOUR  |     |     |     | 1   |     |     |   |   |   |
| 3     | 2    | 129574-91870 | WIRE                |     |     |     | 1   |     |     |   |   |   |
| 4     | 2    | 124617-91980 | BULB                |     |     |     | 6   |     |     |   |   |   |
| I 5   | 2    | 119183-91860 | WIRE                |     |     |     | 1   |     |     |   |   | M |
| I 5-1 | 2    | 128391-91260 | BOX, ARARM          |     |     |     | 1   |     |     |   |   |   |
| 6     | 2    | 128391-91860 | WIRE                |     |     |     | 1   |     |     |   |   |   |
| 7     | 2    | 128391-91700 | PACKING             |     |     |     | 1   |     |     |   |   |   |
| 8     | 2    | 129170-91650 | COVER               |     |     |     | 1   |     |     |   |   |   |
| 9     | 2    | 129574-91410 | BRACKET             |     |     |     | 1   |     |     |   |   |   |
| 10    | 2    | 121575-91250 | SWITCH W/KEY        |     |     |     | 1   |     |     |   |   |   |
| 11    | 2    | 123482-91291 | KEY, SWITCH         |     |     |     | 1   |     |     |   |   |   |
| 12    | 2    | 104271-91352 | BUZZER              |     |     |     | 1   |     |     |   |   |   |
| 13    | 2    | 129170-91800 | SWITCH              |     |     |     | 1   |     |     |   |   |   |
| 14    | 2    | 129574-91780 | CAP                 |     |     |     | 2   |     |     |   |   |   |
| 15    | 2    | 129574-91790 | SWITCH              |     |     |     | 1   |     |     |   |   |   |
| 16    | 2    | 120324-91690 | BLIND               |     |     |     | 1   |     |     |   |   |   |
| 17    | 2    | 129170-91810 | BLIND               |     |     |     | 1   |     |     |   |   |   |
| 18    | 2    | 128391-91930 | PANEL               |     |     |     | 1   |     |     |   |   |   |
| 19    | 2    | 129574-91620 | COVER               |     |     |     | 1   |     |     |   |   |   |
| 20    | 2    | 129574-91420 | BRACKET             |     |     |     | 1   |     |     |   |   |   |
| 21    | 2    | 129574-91720 | GASKET              |     |     |     | 1   |     |     |   |   |   |
| 22    | 2    | 128391-91640 | COVER               |     |     |     | 1   |     |     |   |   |   |
| 23    | 2    | 128391-91440 | PLATE               |     |     |     | 1   |     |     |   |   |   |
| 24    | 2    | 128391-91740 | GASKET              |     |     |     | 1   |     |     |   |   |   |
| 25    | 2    | 120324-91610 | COVER               |     |     |     | 1   |     |     |   |   |   |
| 26    | 2    | 129574-91710 | GASKET              |     |     |     | 1   |     |     |   |   |   |
| 27    | 2    | 129574-91750 | GASKET              |     |     |     | 1   |     |     |   |   |   |
| 28    | 2    | 129574-91770 | KNOB                |     |     |     | 2   |     |     |   |   |   |
| 29    | 2    | 129574-91650 | COVER               |     |     |     | 1   |     |     |   |   |   |
| 30    | 2    | 127692-91410 | SCREW               |     |     |     | 8   |     |     |   |   |   |
| 31    | 2    | 127692-91440 | SCREW               |     |     |     | 4   |     |     |   |   |   |
| 32    | 2    | 127692-91450 | SCREW               |     |     |     | 2   |     |     |   |   |   |
| 33    | 2    | 128391-91850 | HARNES, WIRE        |     |     |     | 1   |     |     |   |   |   |
| 34    | 3    | 124617-91990 | FUSE (3A)           |     |     |     | 1   |     |     |   |   |   |
| 35    | 2    | 127687-91870 | BOLT 6X 35          |     |     |     | 6   |     |     |   |   |   |
| 36    | 2    | 127687-91880 | WASHER              |     |     |     | 6   |     |     |   |   |   |
| I 37  | 2    | 129574-91760 | BLIND               |     |     |     | 1   |     |     |   |   | W |
|       |      |              | (C=*1994.01)        |     |     |     |     |     |     |   |   |   |
| 38    | 1    | 128391-77700 | HARNES, WIRE(3M)    |     |     |     | 1   |     |     |   |   |   |

(A)=1GM10 (D)=1GM10C  
 (B)=1GM10VE (E)=1GM10L  
 (C)=1GM10-B (F)=

Fig.80.PANEL(A-TYPE)(OPTIONAL)

Fig. 80 計器盤 (Aタイプ) (オプション)  
 PANEL (A-TYPE) (OPTIONAL)

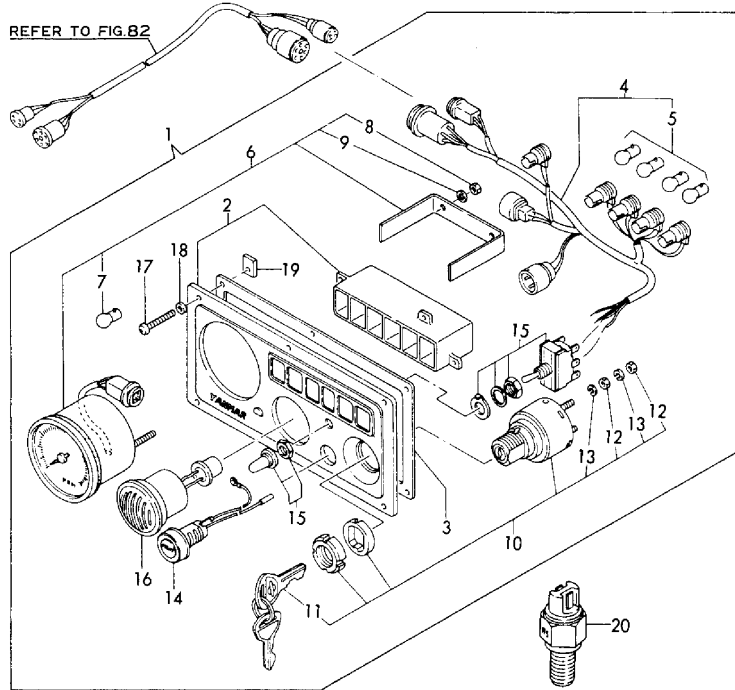


| REF. | LEV. | PARTS NO.    | DESCRIPTION          | QTY |     |     |     |     |     | I | R |  |
|------|------|--------------|----------------------|-----|-----|-----|-----|-----|-----|---|---|--|
|      |      |              |                      | (A) | (B) | (C) | (D) | (E) | (F) |   |   |  |
| 1    | 1    | 128371-91000 | PANEL ASSY, INSTRUM  |     |     |     | 1   |     |     |   |   |  |
| 2    | 2    | 128270-91010 | HOUSING, PANEL       |     |     |     | 1   |     |     |   |   |  |
| 3    | 2    | 128270-91020 | PACKING              |     |     |     | 1   |     |     |   |   |  |
| 4    | 2    | 128371-91030 | HARNES, WIRE         |     |     |     | 1   |     |     |   |   |  |
| 5    | 2    | 128270-91040 | LAMP, PILOT          |     |     |     | 4   |     |     |   |   |  |
| 6    | 3    | 46150-001110 | BULB(12V3W/G11.BA9S) |     |     |     | 4   |     |     |   |   |  |
| 7    | 2    | 124070-91250 | SWITCH W/KEY         |     |     |     | 1   |     |     |   |   |  |
| 8    | 3    | 124070-91290 | KEY, SWITCH          |     |     |     | 1   |     |     |   |   |  |
| 9    | 3    | 26716-050002 | NUT M 5              |     |     |     | 4   |     |     |   |   |  |
| 10   | 3    | 22217-050000 | SPRING WASHER 5      |     |     |     | 4   |     |     |   |   |  |
| 11   | 2    | 124070-91300 | SWITCH               |     |     |     | 1   |     |     |   |   |  |
| 12   | 2    | 128270-91350 | BUZZER, ALARM        |     |     |     | 1   |     |     |   |   |  |
| 13   | 2    | 128270-91360 | PACKING, BUZZER      |     |     |     | 1   |     |     |   |   |  |
| 14   | 2    | 128170-91810 | SCREW M5             |     |     |     | 4   |     |     |   |   |  |
| 15   | 2    | 128170-91820 | WASHER 5             |     |     |     | 4   |     |     |   |   |  |
| 16   | 2    | 128170-91830 | PLATE NUT M5         |     |     |     | 4   |     |     |   |   |  |

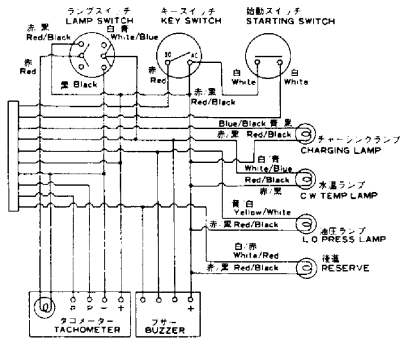
Fig.81.PANEL(A-TYPE)(OPTIONAL)

(A)=1GM10 (D)=1GM10C  
 (B)=1GM10VE (E)=1GM10L  
 (C)=1GM10-B (F)=

Fig. 81 計器盤 (Aタイプ) (オプション)  
 PANEL (A-TYPE) (OPTIONAL)



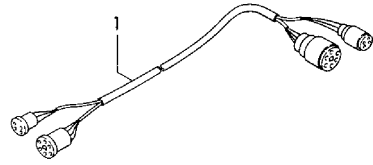
フライホイールハウジングに取付 FIG. 5 参照  
 FIX TO FLYWHEEL HOUSING, REFER TO FIG.5



| REF. | LEV. | PARTS NO.    | DESCRIPTION          | QTY |     |     |     |     |     | I | R |  |
|------|------|--------------|----------------------|-----|-----|-----|-----|-----|-----|---|---|--|
|      |      |              |                      | (A) | (B) | (C) | (D) | (E) | (F) |   |   |  |
| 1    | 1    | 128670-91001 | PANEL ASSY, INSTRUM  |     |     |     |     |     |     |   | 1 |  |
| 2    | 2    | 128170-91010 | HOUSING, PANEL       |     |     |     |     |     |     |   | 1 |  |
| 3    | 2    | 128170-91020 | GASKET               |     |     |     |     |     |     |   | 1 |  |
| 4    | 2    | 128170-91031 | HARNESS, WIRE        |     |     |     |     |     |     |   | 1 |  |
| 5    | 3    | 46150-001110 | BULB(12V3W/G11.BA9S) |     |     |     |     |     |     |   | 4 |  |
| 6    | 2    | 128670-91100 | TACHOMETER (P=114)   |     |     |     |     |     |     |   | 1 |  |
| 7    | 3    | 46150-001110 | BULB(12V3W/G11.BA9S) |     |     |     |     |     |     |   | 1 |  |
| 8    | 3    | 26716-050002 | NUT M 5              |     |     |     |     |     |     |   | 2 |  |
| 9    | 3    | 22217-050000 | SPRING WASHER 5      |     |     |     |     |     |     |   | 2 |  |
| 10   | 2    | 124070-91250 | SWITCH W/KEY         |     |     |     |     |     |     |   | 1 |  |
| 11   | 3    | 124070-91290 | KEY, SWITCH          |     |     |     |     |     |     |   | 1 |  |
| 12   | 3    | 26716-050002 | NUT M 5              |     |     |     |     |     |     |   | 4 |  |
| 13   | 3    | 22217-050000 | SPRING WASHER 5      |     |     |     |     |     |     |   | 4 |  |
| 14   | 2    | 124070-91300 | SWITCH               |     |     |     |     |     |     |   | 1 |  |
| 15   | 2    | 128170-91310 | SWITCH, LAMP         |     |     |     |     |     |     |   | 1 |  |
| 16   | 2    | 104271-91351 | BUZZER               |     |     |     |     |     |     |   | 1 |  |
| 17   | 2    | 128170-91810 | SCREW M5             |     |     |     |     |     |     |   | 6 |  |
| 18   | 2    | 128170-91820 | WASHER 5             |     |     |     |     |     |     |   | 6 |  |
| 19   | 2    | 128170-91830 | PLATE NUT M5         |     |     |     |     |     |     |   | 6 |  |
| 20   | 1    | 128170-91160 | SENSOR, TACHOMETER   |     |     |     |     |     |     |   | 1 |  |

Fig.82.EXTENSION WIRE(OPTIONAL)

Fig. **82** エクステンションコード (オプション)  
EXTENSION WIRE (OPTIONAL)



Y00F5041 82.EXTENSION WIRE(OPTIONAL)

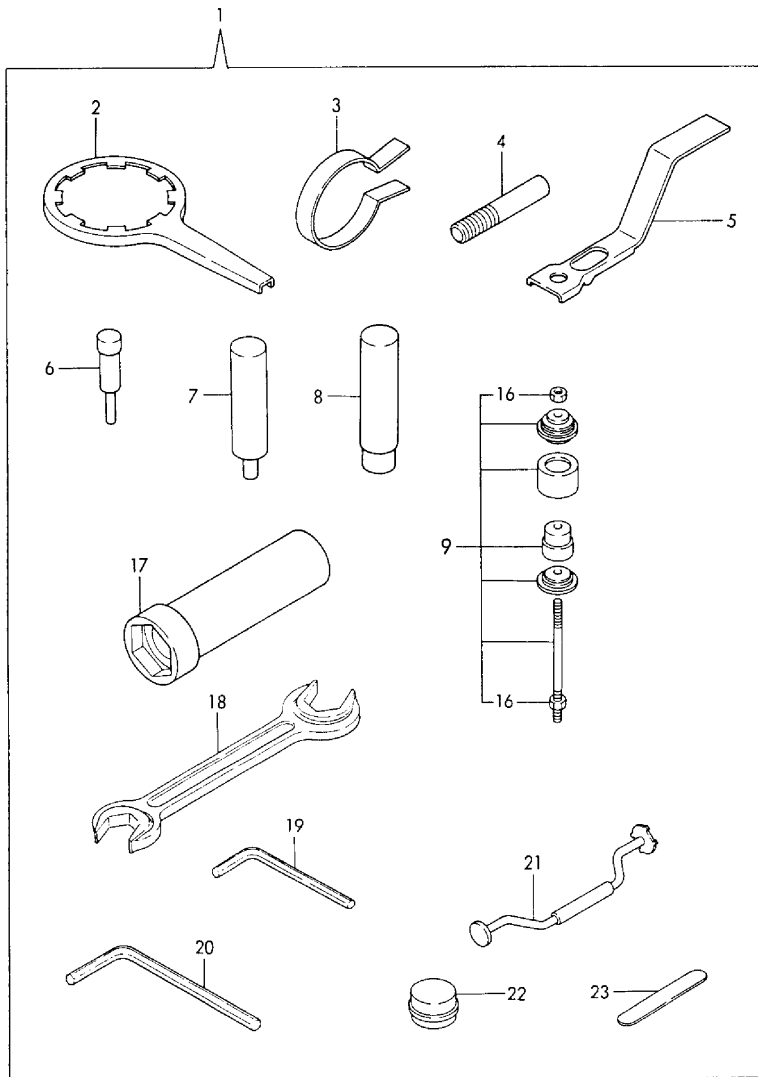
(A)=1GM10 (D)=1GM10C  
(B)=1GM10VE (E)=1GM10L  
(C)=1GM10-B (F)=

| REF. | LEV. | PARTS NO.    | DESCRIPTION   | Q'TY |     |     |     |     |     | I | R |
|------|------|--------------|---------------|------|-----|-----|-----|-----|-----|---|---|
|      |      |              |               | (A)  | (B) | (C) | (D) | (E) | (F) |   |   |
| 1    | 1    | 128170-77500 | HARNESS, WIRE | 1    | 1   | 1   | 1   | 1   |     |   |   |

Fig.83.SPECIAL TOOL(OPTIONAL)

(A)=1GM10 (D)=1GM10C  
 (B)=1GM10VE (E)=1GM10L  
 (C)=1GM10-B (F)=

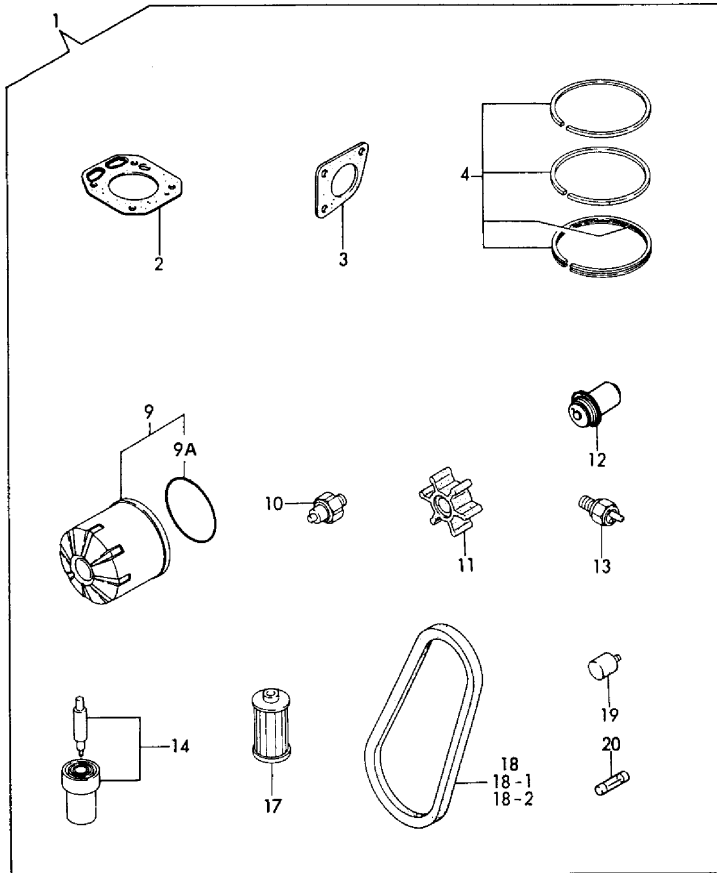
Fig.83 特殊工具(オプション)  
 SPECIAL TOOL(OPTIONAL)



| REF. | LEV. | PARTS NO.    | DESCRIPTION           | QTY |     |            |     |     |     | I | R |
|------|------|--------------|-----------------------|-----|-----|------------|-----|-----|-----|---|---|
|      |      |              |                       | (A) | (B) | (C)        | (D) | (E) | (F) |   |   |
| 1    | 1    | 728270-92400 | TOOL, ASSY, SPECIAL   | 1   | 1   | 1          | 1   |     |     |   |   |
| I    | 1-1  | 728270-92401 | TOOL, ASSY, SPECIAL   | 1   | 1   | 1          | 1   | 1   |     |   | S |
|      |      | (A=E10132)   | (C=E01032) (D=E01035) |     |     | (E=E00349) |     |     |     |   |   |
| 2    | 2    | 124550-35350 | WRENCH, FILTER        | 1   |     | 1          | 1   | 1   |     |   |   |
| I    | 2-1  | 119640-92750 | WRENCH, FILTER        | 1   | 1   | 1          | 1   | 1   |     |   | S |
|      |      | (A=E10132)   | (C=E01032) (D=E01035) |     |     | (E=E00349) |     |     |     |   |   |
| 3    | 2    | 101200-92140 | TOOL, PISTON&RING     | 1   | 1   | 1          | 1   | 1   |     |   |   |
| 4    | 2    | 101104-92180 | PULLER, NOZZLE        | 1   | 1   | 1          | 1   | 1   |     |   |   |
| 5    | 2    | 124085-92210 | REMOVER, VALVE        | 1   | 1   | 1          | 1   | 1   |     |   |   |
| 6    | 2    | 124085-92250 | REMOVER, VALVE GUIDE  | 1   | 1   | 1          | 1   | 1   |     |   |   |
| 7    | 2    | 124085-92260 | REMOVER, PISTON PIN   | 1   | 1   | 1          | 1   | 1   |     |   |   |
| 8    | 2    | 124085-92270 | REMOVER, PIN BUSH     | 1   | 1   | 1          | 1   | 1   |     |   |   |
| 9    | 2    | 124085-92400 | REPLACER, MAIN BERG.  | 1   | 1   | 1          | 1   | 1   |     |   |   |
| 16   | 3    | 26716-160002 | NUT M16               | 2   | 2   | 2          | 2   | 2   |     |   |   |
| 17   | 2    | 124085-92700 | WRENCH                | 1   | 1   | 1          | 1   | 1   |     |   |   |
| 18   | 2    | 28110-270300 | WRENCH 27X30          | 1   | 1   | 1          | 1   | 1   |     |   |   |
| 19   | 2    | 28150-040000 | BAR WRENCH            | 1   | 1   | 1          | 1   | 1   |     |   |   |
| 20   | 2    | 28150-050000 | BAR WRENCH            | 1   | 1   | 1          | 1   | 1   |     |   |   |
| 21   | 2    | 28210-000031 | RAPPING TOOL          | 1   | 1   | 1          | 1   | 1   |     |   |   |
| 22   | 2    | 28210-000070 | LAPPING POWDER        | 1   | 1   | 1          | 1   | 1   |     |   |   |
| 23   | 2    | 28312-200750 | THICKNESS GAUGE       | 1   | 1   | 1          | 1   | 1   |     |   |   |

Fig.84.REPAIR PART(OPTIONAL)

Fig. **84** スペアパーツ (オプション)  
REPAIR KIT (OPTIONAL)



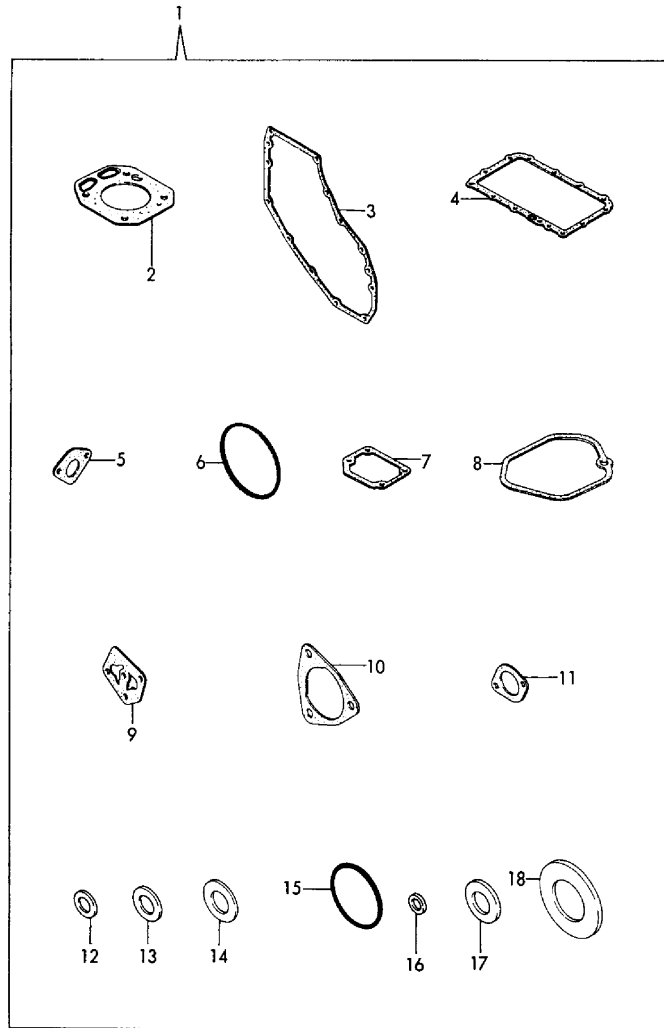
(A)=1GM10 (D)=1GM10C  
(B)=1GM10VE (E)=1GM10L  
(C)=1GM10-B (F)=

| REF. | LEV. | PARTS NO.    | DESCRIPTION          | QTY        |            |     |     |     |     | I | R |
|------|------|--------------|----------------------|------------|------------|-----|-----|-----|-----|---|---|
|      |      |              |                      | (A)        | (B)        | (C) | (D) | (E) | (F) |   |   |
| 1    | 1    | 728171-92500 | REPAIR SET           | 1          | 1          | 1   | 1   | 1   |     |   |   |
| 2    | 2    | 128171-01330 | GASKET, CYL. HEAD    | 1          | 1          | 1   | 1   | 1   |     |   |   |
| 3    | 2    | 128170-13200 | GASKET               | 1          |            | 1   | 1   | 1   |     |   |   |
| I    | 3-1  | 128170-13201 | GASKET, (NON-ASB.)   | 1          | 1          | 1   | 1   | 1   |     |   | N |
|      |      | (A=E10132)   | (C=E01032)           | (D=E01035) | (E=E00349) |     |     |     |     |   |   |
| 4    | 2    | 705311-22500 | RING SET             | 1          | 1          | 1   | 1   | 1   |     |   |   |
| 9    | 2    | 124450-35100 | FILTER, LUB. OIL     | 1          |            | 1   | 1   | 1   |     |   |   |
| I    | 9-1  | 119660-35150 | FILTER, LUB. OIL     | 1          | 1          | 1   | 1   | 1   |     |   | N |
|      |      | (A=E10132)   | (C=E01032)           | (D=E01035) | (E=E00349) |     |     |     |     |   |   |
| I    | 9A   | 124450-35110 | O-RING, L.O.STRAINER | 1          | 1          | 1   | 1   | 1   |     |   | W |
|      |      | (A=EXXX)     | (C=EXXX)             | (D=EXXX)   | (E=EXXX)   |     |     |     |     |   |   |
| 10   | 2    | 124060-39451 | SENDER, OIL PRESSURE | 1          | 1          | 1   | 1   | 1   |     |   |   |
| 11   | 2    | 128170-42070 | IMPELLER, C. WATER   | 1          | 1          | 1   | 1   | 1   |     |   |   |
| 12   | 2    | 105582-49200 | THERMOSTAT           | 1          | 1          | 1   | 1   | 1   |     |   |   |
| 13   | 2    | 128275-91340 | SWITCH, THERMO(65C   | 1          | 1          | 1   | 1   | 1   |     |   |   |
| 14   | 2    | 124770-53000 | NOZZLE ASSY,F.INJECT | 1          | 1          | 1   | 1   | 1   |     |   |   |
| 17   | 2    | 104500-55710 | ELEMENT, FUEL        | 1          | 1          | 1   | 1   | 1   |     |   |   |
| 18   | 2    | 104214-42780 | V-BELT (HM-30)       | 1          |            | 1   | 1   | 1   |     |   |   |
| 18-1 | 2    | 128170-77350 | V-BELT (HM-29)       | 1          |            | 1   | 1   | 1   |     |   | 1 |
| 18-2 | 2    | 105582-77790 | V-BELT (31 INCH)     | 1          | 1          | 1   | 1   | 1   |     |   | S |
|      |      | (A=E03691)   | (C=E00336)           | (D=E00341) | (E=E00218) |     |     |     |     |   |   |
| 19   | 2    | 27210-200200 | ZINC, ANTI-CORROSIVE | 1          | 1          | 1   | 1   | 1   |     |   |   |
| 20   | 2    | 46150-003680 | FUSE 30A             | 1          | 1          | 1   | 1   | 1   |     |   |   |



Fig.85.GASKET SET(OPTIONAL)

Fig. **85** パッキンセット (オプション)  
GASKET SET (OPTIONAL)



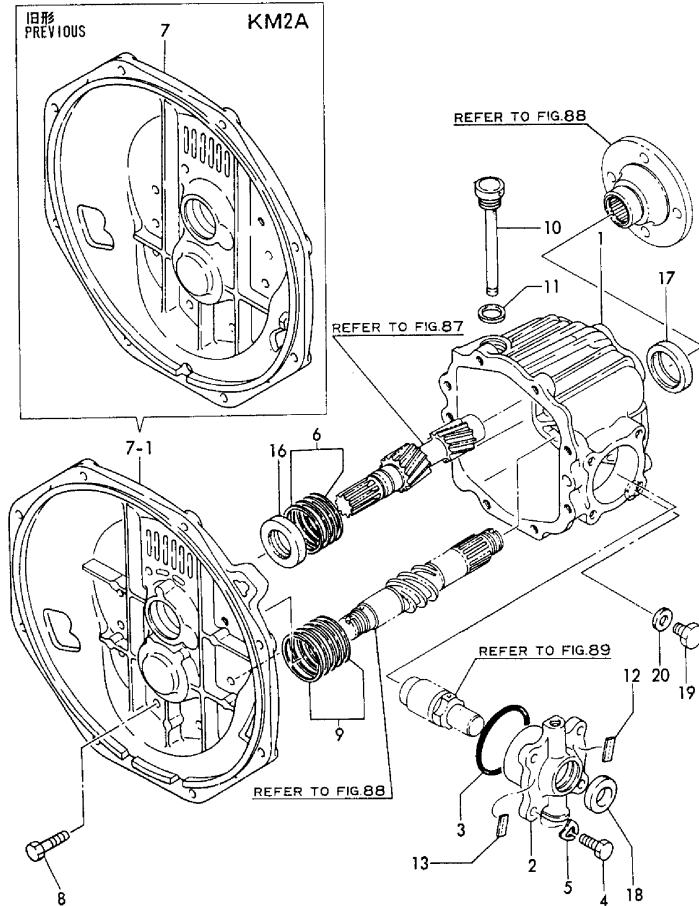
(A)=1GM10 (D)=1GM10C  
(B)=1GM10VE (E)=1GM10L  
(C)=1GM10-B (F)=

| REF. | LEV. | PARTS NO.    | DESCRIPTION         | QTY                |            |     |     |     |     | I | R |
|------|------|--------------|---------------------|--------------------|------------|-----|-----|-----|-----|---|---|
|      |      |              |                     | (A)                | (B)        | (C) | (D) | (E) | (F) |   |   |
| 1    | 1    | 728171-92600 | GASKET SET          | 1                  | 1          | 1   | 1   | 1   |     |   |   |
| 2    | 2    | 128171-01330 | GASKET, CYL. HEAD   | 1                  |            | 1   | 1   | 1   |     |   |   |
| I    | 2-1  | 2            | 128171-01911        | GASKET, CYL. HEAD  | 1          | 1   | 1   | 1   | 1   |   | N |
|      |      | (A=E05917)   | (C=E00509)          | (D=E00566)         | (E=E00250) |     |     |     |     |   |   |
| 3    | 2    | 128170-01510 | GASKET, GEAR CASE   | 1                  |            | 1   | 1   | 1   |     |   |   |
| I    | 3-1  | 2            | 128170-01511        | GASKET, (NON-ASB.) | 1          | 1   | 1   | 1   | 1   |   | N |
|      |      | (A=E10132)   | (C=E01032)          | (D=E01035)         | (E=E00349) |     |     |     |     |   |   |
| 4    | 2    | 128170-01750 | GASKET, OIL SUMP    | 1                  |            | 1   | 1   | 1   |     |   |   |
| I    | 4-1  | 2            | 128170-01751        | GASKET, (NON-ASB.) | 1          | 1   | 1   | 1   | 1   |   | N |
|      |      | (A=E10132)   | (C=E01032)          | (D=E01035)         | (E=E00349) |     |     |     |     |   |   |
| 5    | 2    | 121520-01850 | GASKET, F.FEED PUMP | 1                  |            | 1   | 1   | 1   |     |   |   |
| I    | 5-1  | 2            | 121520-01851        | GASKET, (NON-ASB.) | 1          | 1   | 1   | 1   | 1   |   | N |
|      |      | (A=E09063)   | (C=E00898)          | (D=E00908)         | (E=E00341) |     |     |     |     |   |   |
| 6    | 2    | 105225-02020 | O-RING              | 1                  | 1          | 1   | 1   | 1   |     |   |   |
| 7    | 2    | 128170-03070 | GASKET              | 1                  | 1          | 1   | 1   | 1   |     |   |   |
| 8    | 2    | 128170-11310 | GASKET, BONNET      | 1                  | 1          | 1   | 1   | 1   |     |   |   |
| 9    | 2    | 128170-32030 | GASKET              | 1                  | 1          | 1   | 1   | 1   |     |   |   |
| 10   | 2    | 128170-42090 | GASKET              | 1                  | 1          | 1   | 1   | 1   |     |   |   |
| 11   | 2    | 104211-49160 | PACKING             | 1                  | 1          | 1   | 1   | 1   |     |   |   |
| 12   | 2    | 23414-080000 | GASKET 8, ROUND     | 20                 | 20         | 20  | 20  | 20  |     |   |   |
| 13   | 2    | 23414-100000 | GASKET 10, ROUND    | 5                  | 5          | 5   | 5   | 5   |     |   |   |
| 14   | 2    | 23414-120000 | GASKET 12, ROUND    | 20                 | 20         | 20  | 20  | 20  |     |   |   |
| 15   | 2    | 24321-000350 | O-RING 1A G-35.0    | 1                  | 1          | 1   | 1   | 1   |     |   |   |
| 16   | 2    | 43400-500390 | SEAL WASHER 6S      | 2                  |            | 2   | 2   | 2   |     |   |   |
| I    | 16-1 | 2            | 22190-060002        | SEAL WASHER 6S     | 2          | 2   | 2   | 2   | 2   |   | N |
|      |      | (A=E12740)   | (C=E01195)          | (D=E01385)         | (E=E00731) |     |     |     |     |   |   |
| 17   | 2    | 43400-500450 | SEAL WASHER 12S     | 2                  |            | 2   | 2   | 2   |     |   |   |
| I    | 17-1 | 2            | 22190-120002        | SEAL WASHER 12     | 2          | 2   | 2   | 2   | 2   |   | N |
|      |      | (A=E12740)   | (C=E01195)          | (D=E01385)         | (E=E00731) |     |     |     |     |   |   |
| 18   | 2    | 43400-500570 | SEAL WASHER 24S     | 1                  |            | 1   | 1   | 1   |     |   |   |
| I    | 18-1 | 2            | 22190-240002        | SEAL WASHER 24S    | 1          | 1   | 1   | 1   | 1   |   | N |
|      |      | (A=E12740)   | (C=E01195)          | (D=E01385)         | (E=E00731) |     |     |     |     |   |   |

Fig.86.CLUTCH HOUSING

(A)=KM2A (D)=  
 (B)= (E)=  
 (C)= (F)=

Fig.86 クラッチハウジング  
 CLUTCH HOUSING



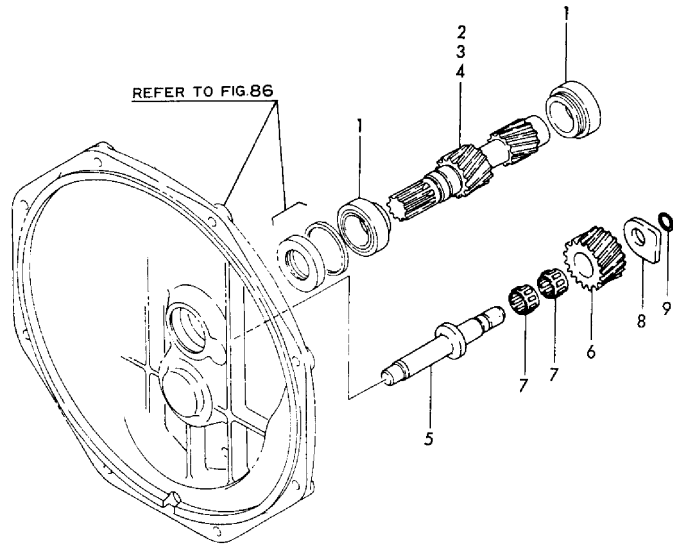
| REF.       | LEV. | PARTS NO.    | DESCRIPTION          | QTY |     |     |     |     |     | I | R   |
|------------|------|--------------|----------------------|-----|-----|-----|-----|-----|-----|---|-----|
|            |      |              |                      | (A) | (B) | (C) | (D) | (E) | (F) |   |     |
| 1          | 1    | 177088-02011 | HOUSING, CLUTCH      | 1   |     |     |     |     |     |   |     |
| 2          | 1    | 177088-02091 | COVER, SIDE          | 1   |     |     |     |     |     |   |     |
| 3          | 1    | 24341-000600 | O-RING 1A S-60.0     | 1   |     |     |     |     |     |   |     |
| 4          | 1    | 26116-080202 | BOLT M 8X 20 PLATED  | 4   |     |     |     |     |     |   |     |
| 5          | 1    | 22287-080000 | LOCKING WASHER       | 4   |     |     |     |     |     |   |     |
| 6          | 1    | 177088-02350 | SHIM SET             | 1   |     |     |     |     |     |   |     |
| 7          | 1    | 177088-02032 | FLANGE, CLUTCH       | 1   |     |     |     |     |     |   |     |
| 7-1        | 1    | 177088-02033 | FLANGE, CLUTCH       | 1   |     |     |     |     |     |   | S   |
| (A=E00358) |      |              |                      |     |     |     |     |     |     |   |     |
| 8          | 1    | 26116-080252 | BOLT M 8X 25 PLATED  | 8   |     |     |     |     |     |   |     |
| 9          | 1    | 177090-02250 | SHIM SET             | 1   |     |     |     |     |     |   |     |
| 10         | 1    | 177088-02450 | DIPSTICK             | 1   |     |     |     |     |     |   |     |
| 11         | 1    | 23414-160021 | GASKET 16            | 1   |     |     |     |     |     |   |     |
| 12         | 1    | 177090-02620 | LABEL                | 1   |     |     |     |     |     |   |     |
| 13         | 1    | 177090-02630 | LABEL                | 1   |     |     |     |     |     |   |     |
| 15         | 1    | 102210-07990 | RIVET                | 4   |     |     |     |     |     |   | Z 1 |
| (A=E00357) |      |              |                      |     |     |     |     |     |     |   |     |
| 16         | 1    | 177088-02950 | SEAL SC25 40 8, OIL  | 1   |     |     |     |     |     |   |     |
| 17         | 1    | 177088-02961 | SEAL MHSA34 44 8,OIL | 1   |     |     |     |     |     |   |     |
| 18         | 1    | 177088-02970 | SEAL, OIL            | 1   |     |     |     |     |     |   |     |
| 19         | 1    | 23883-100002 | PLUG 10              | 1   |     |     |     |     |     |   |     |
| 20         | 1    | 23414-100000 | GASKET 10, ROUND     | 1   |     |     |     |     |     |   |     |

Remarks  
 (1) NOT ILLUSTRATED

(A)=KM2A (D)=  
 (B)= (E)=  
 (C)= (F)=

Fig.87.INPUT SHAFT & SUPPORT SHAFT

Fig. **87** インพุットシャフト & サポートシャフト  
 INPUT SHAFT & SUPPORT SHAFT

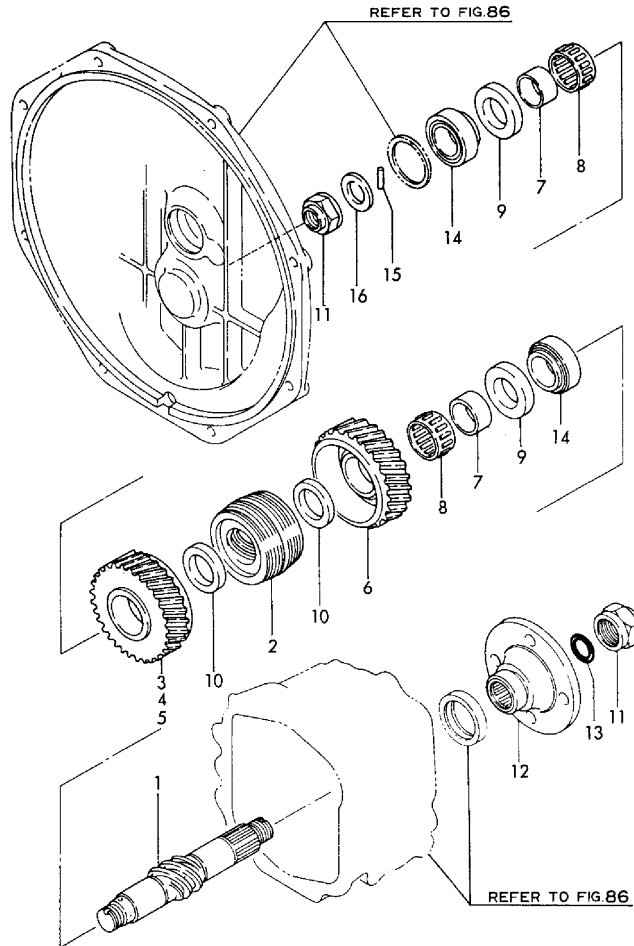


| REF. | LEV. | PARTS NO.    | DESCRIPTION          | QTY |     |     |     |     |     | I | R |  |
|------|------|--------------|----------------------|-----|-----|-----|-----|-----|-----|---|---|--|
|      |      |              |                      | (A) | (B) | (C) | (D) | (E) | (F) |   |   |  |
| 1    | 1    | 177088-03400 | ROLLER BERING        | 2   |     |     |     |     |     |   |   |  |
| 2    | 1    | 177088-03030 | SHAFT, INPUT         | 1   |     |     |     |     |     |   |   |  |
| 3    | 1    | 177088-03011 | SHAFT, INPUT         | 1   |     |     |     |     |     |   |   |  |
| 4    | 1    | 177088-03020 | SHAFT, INPUT         | 1   |     |     |     |     |     |   |   |  |
| 5    | 1    | 177088-03301 | SHAFT, REVERSE IDLE  | 1   |     |     |     |     |     |   |   |  |
| 6    | 1    | 177088-03311 | GEAR (Z=26), IDLE    | 1   |     |     |     |     |     |   |   |  |
| 7    | 1    | 177088-03331 | NEEDLE BERG.#K162213 | 2   |     |     |     |     |     |   |   |  |
| 8    | 1    | 177088-03341 | WASHER, THRUST       | 1   |     |     |     |     |     |   |   |  |
| 9    | 1    | 24341-000120 | O-RING 1A S-12.0     | 1   |     |     |     |     |     |   |   |  |

Fig.88.OUTPUT SHAFT

(A)=KM2A (D)=  
 (B)= (E)=  
 (C)= (F)=

Fig.88 アウトプットシャフト  
 OUTPUT SHAFT

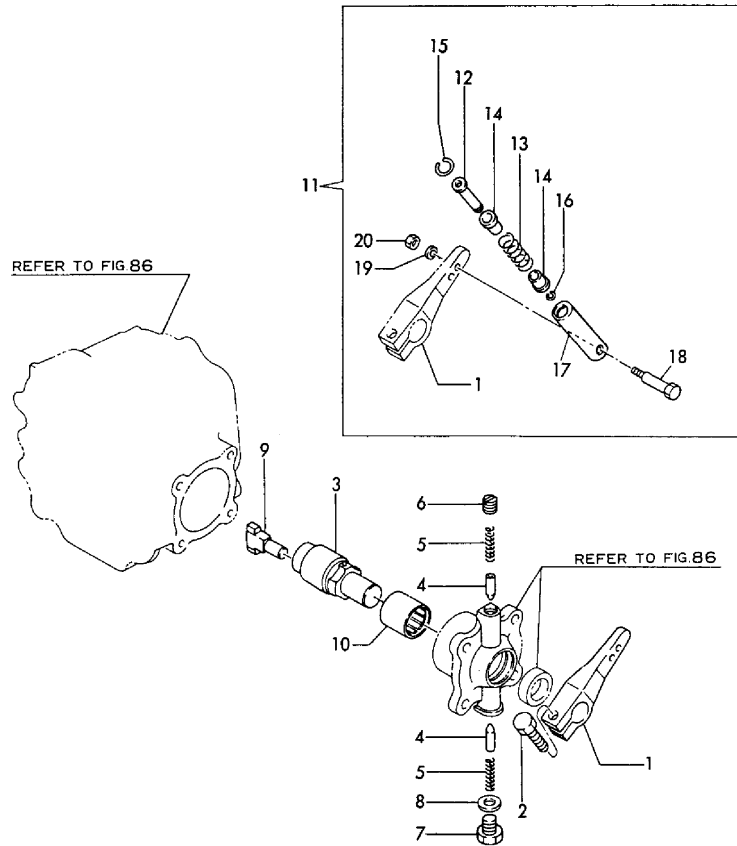


| REF. | LEV. | PARTS NO.    | DESCRIPTION          | QTY |     |     |     |     |     | I | R |
|------|------|--------------|----------------------|-----|-----|-----|-----|-----|-----|---|---|
|      |      |              |                      | (A) | (B) | (C) | (D) | (E) | (F) |   |   |
| 1    | 1    | 177088-03091 | SHAFT, OUTPUT        | 1   |     |     |     |     |     |   |   |
| 2    | 1    | 177088-03071 | CONE, DRIVE          | 1   |     |     |     |     |     |   |   |
| 3    | 1    | 177088-03130 | GEAR (Z=53)          | 1   |     |     |     |     |     |   |   |
| 4    | 1    | 177088-03110 | GEAR (Z=55)          | 1   |     |     |     |     |     |   |   |
| 5    | 1    | 177088-03120 | GEAR (Z=58)          | 1   |     |     |     |     |     |   |   |
| 6    | 1    | 177088-03110 | GEAR (Z=55)          | 1   |     |     |     |     |     |   |   |
| 7    | 1    | 177088-03192 | RACE, INNER          | 2   |     |     |     |     |     |   |   |
| 8    | 1    | 177088-03201 | NEEDLE BERG.#K303517 | 2   |     |     |     |     |     |   |   |
| 9    | 1    | 177088-03232 | COLLAR (A), THRUST   | 2   |     |     |     |     |     |   |   |
| 10   | 1    | 177088-03252 | COLLAR (B), THRUST   | 2   |     |     |     |     |     |   |   |
| 11   | 1    | 177088-03272 | NUT                  | 2   |     |     |     |     |     |   |   |
| 12   | 1    | 177088-03552 | COUPLING, OUTPUT     | 1   |     |     |     |     |     |   |   |
| 13   | 1    | 24311-000180 | O-RING 1A P-18.0     | 1   |     |     |     |     |     |   |   |
| 14   | 1    | 177088-03520 | R.BEARING07087/07204 | 2   |     |     |     |     |     |   |   |
| 15   | 1    | 177088-03290 | PIN 4D-22L           | 1   |     |     |     |     |     |   |   |
| 16   | 1    | 177088-03280 | COLLAR 32D-45T       | 1   |     |     |     |     |     |   |   |

Fig.89.REMOTE CONTROL DEVICE

(A)=KM2A (D)=  
 (B)= (E)=  
 (C)= (F)=

Fig.89 操縦装置  
 REMOTE CONTROL DEVICE

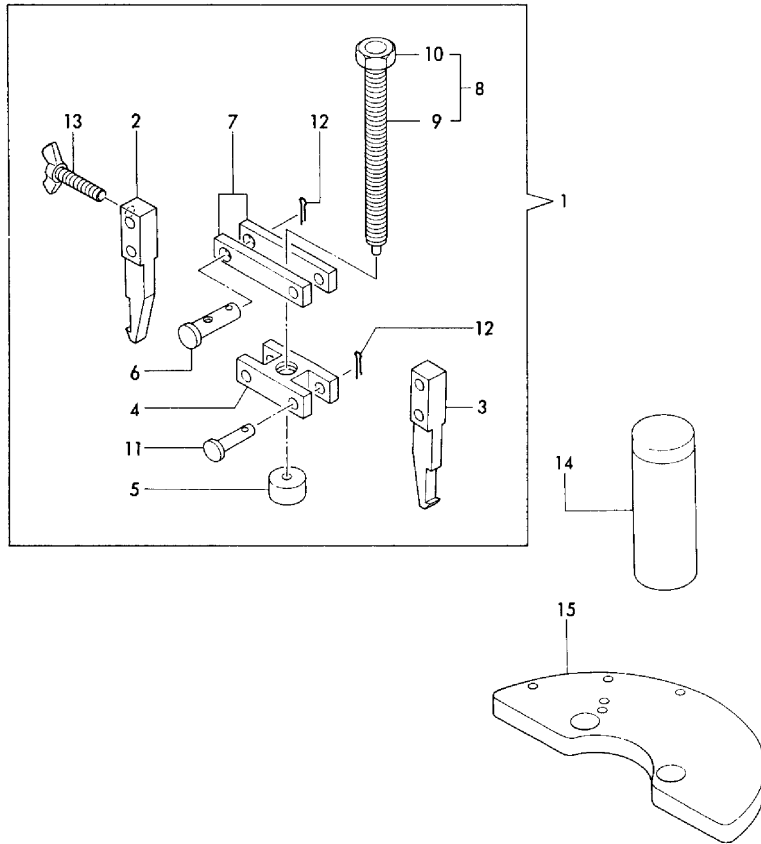


| REF. | LEV. | PARTS NO.    | DESCRIPTION          | QTY |     |     |     |     |     | I | R |
|------|------|--------------|----------------------|-----|-----|-----|-----|-----|-----|---|---|
|      |      |              |                      | (A) | (B) | (C) | (D) | (E) | (F) |   |   |
| 1    | 1    | 177095-06040 | LEVER                | 1   |     |     |     |     |     |   |   |
| 2    | 1    | 26116-080252 | BOLT M 8X 25 PLATED  | 1   |     |     |     |     |     |   |   |
| 3    | 1    | 177088-06010 | SHAFT                | 1   |     |     |     |     |     |   |   |
| 4    | 1    | 177095-03190 | PIN                  | 2   |     |     |     |     |     |   |   |
| 5    | 1    | 177088-06020 | SPRING               | 2   |     |     |     |     |     |   |   |
| 6    | 1    | 26911-100102 | SCREW M10X10         | 1   |     |     |     |     |     |   |   |
| 7    | 1    | 23883-100002 | PLUG 10              | 1   |     |     |     |     |     |   |   |
| 8    | 1    | 23414-100000 | GASKET 10, ROUND     | 1   |     |     |     |     |     |   |   |
| 9    | 1    | 177088-06050 | SHIFTER              | 1   |     |     |     |     |     |   |   |
| 10   | 1    | 177088-06070 | NEEDLE BERG. #HK3026 | 1   |     |     |     |     |     |   |   |
| 11   | 1    | 177088-06090 | CONNECTOR ASSY       | 1   |     |     |     |     |     |   |   |
| 12   | 2    | 177088-06120 | CONNECTOR            | 1   |     |     |     |     |     |   |   |
| 13   | 2    | 177088-06170 | SPRING, SHIFT        | 1   |     |     |     |     |     |   |   |
| 14   | 2    | 177088-06140 | RETAINER, SPRING     | 2   |     |     |     |     |     |   |   |
| 15   | 2    | 177088-06150 | CIRCLIP              | 1   |     |     |     |     |     |   |   |
| 16   | 2    | 177088-06160 | CIRCLIP              | 1   |     |     |     |     |     |   |   |
| 17   | 2    | 177088-06110 | HOLDER               | 1   |     |     |     |     |     |   |   |
| 18   | 2    | 177088-06100 | CONNECTOR, HOLDER    | 1   |     |     |     |     |     |   |   |
| 19   | 2    | 22117-060000 | WASHER 6             | 1   |     |     |     |     |     |   |   |
| 20   | 2    | 26756-060002 | LOCK NUT 6           | 1   |     |     |     |     |     |   |   |

(A)=KM2A (D)=  
 (B)= (E)=  
 (C)= (F)=

Fig.90.TOOL(OPTIONAL)

Fig. 90 工具(オプション)  
 TOOL (OPTIONAL)

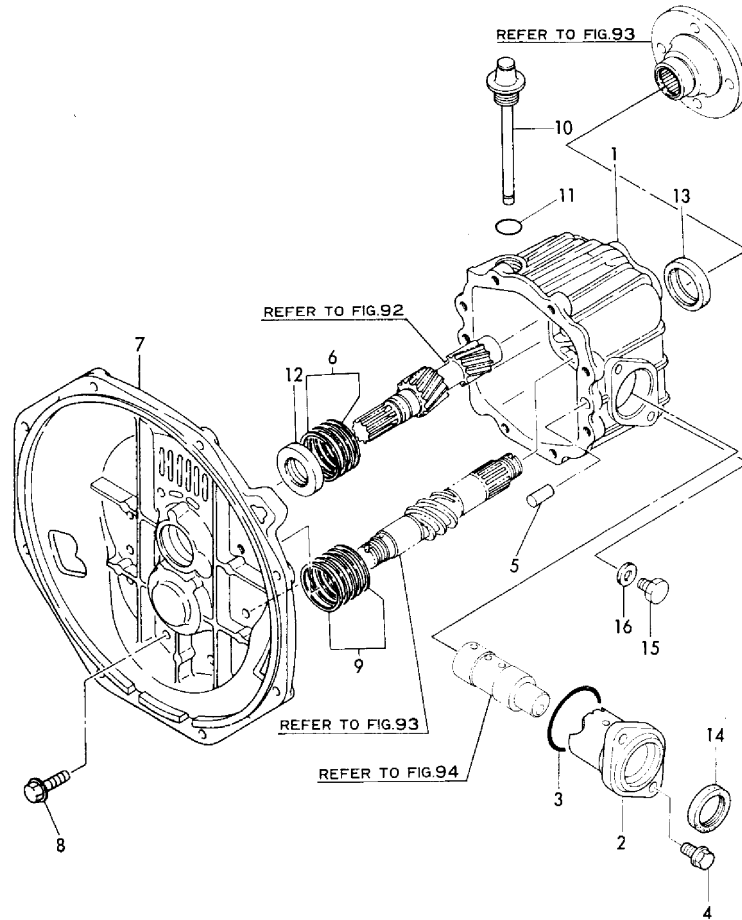


| REF. | LEV. | PARTS NO.    | DESCRIPTION         | Q'TY |     |     |     |     |     | I | R |
|------|------|--------------|---------------------|------|-----|-----|-----|-----|-----|---|---|
|      |      |              |                     | (A)  | (B) | (C) | (D) | (E) | (F) |   |   |
| 1    | 1    | 177088-09010 | TOOLS ASSY          | 1    |     |     |     |     |     |   |   |
| 2    | 2    | 177088-09020 | TOOL A              | 1    |     |     |     |     |     |   |   |
| 3    | 2    | 177088-09030 | TOOL B              | 1    |     |     |     |     |     |   |   |
| 4    | 2    | 177088-09040 | BRACKET             | 1    |     |     |     |     |     |   |   |
| 5    | 2    | 177088-09050 | RETAINER            | 1    |     |     |     |     |     |   |   |
| 6    | 2    | 177088-09060 | PIN                 | 1    |     |     |     |     |     |   |   |
| 7    | 2    | 177088-09070 | PLATE               | 2    |     |     |     |     |     |   |   |
| 8    | 2    | 177088-09080 | BOLT ASSY           | 1    |     |     |     |     |     |   |   |
| 9    | 3    | 177088-09090 | BOLT                | 1    |     |     |     |     |     |   |   |
| 10   | 3    | 26736-100002 | NUT M10             | 1    |     |     |     |     |     |   |   |
| 11   | 2    | 22487-060240 | PIN 6X 24           | 3    |     |     |     |     |     |   |   |
| 12   | 2    | 22414-160120 | COTTER PIN 1.6X12   | 4    |     |     |     |     |     |   |   |
| 13   | 2    | 26646-040352 | WING BOLT           | 1    |     |     |     |     |     |   |   |
| 14   | 1    | 177088-09150 | TOOL, DRIVE         | 1    |     |     |     |     |     |   |   |
| 15   | 1    | 177088-09160 | JIG, LEVER LOCATING | 1    |     |     |     |     |     |   |   |

Fig.91.CLUTCH HOUSING

(A)=KM2P (D)=  
 (B)= (E)=  
 (C)= (F)=

Fig. 91 クラッチケース  
 CLUTCH HOUSING

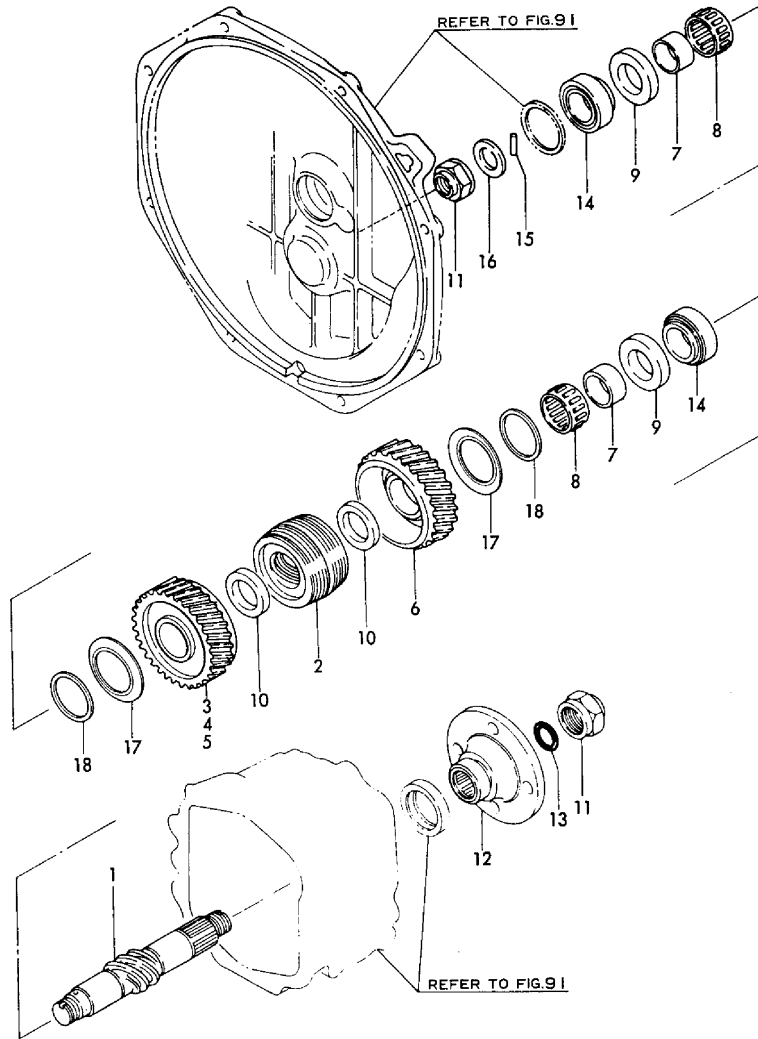


| REF. | LEV. | PARTS NO.    | DESCRIPTION          | QTY |     |     |     |     |     | I | R |
|------|------|--------------|----------------------|-----|-----|-----|-----|-----|-----|---|---|
|      |      |              |                      | (A) | (B) | (C) | (D) | (E) | (F) |   |   |
| 1    | 1    | 177088-02012 | HOUSING, CLUTCH      | 1   |     |     |     |     |     |   |   |
| 2    | 1    | 177088-02120 | COVER, SIDE          | 1   |     |     |     |     |     |   |   |
| 3    | 1    | 24321-000400 | O-RING 1A G-40.0     | 1   |     |     |     |     |     |   |   |
| 4    | 1    | 26013-080252 | BOLT M 8X 25         | 2   |     |     |     |     |     |   |   |
| 5    | 1    | 22312-100160 | PARALLEL PIN 10X16   | 2   |     |     |     |     |     |   |   |
| 6    | 1    | 177088-02350 | SHIM SET             | 1   |     |     |     |     |     |   |   |
| 7    | 1    | 177088-02033 | FLANGE, CLUTCH       | 1   |     |     |     |     |     |   |   |
| 8    | 1    | 26016-080252 | BOLT M 8X 25         | 8   |     |     |     |     |     |   |   |
| 9    | 1    | 177088-02300 | SHIM SET             | 1   |     |     |     |     |     |   |   |
| 10   | 1    | 177088-02451 | DIPSTICK, LUB. OIL   | 1   |     |     |     |     |     |   |   |
| 11   | 1    | 24311-000180 | O-RING 1A P-18.0     | 1   |     |     |     |     |     |   |   |
| 12   | 1    | 177088-02950 | SEAL SC25 40 8, OIL  | 1   |     |     |     |     |     |   |   |
| 13   | 1    | 177088-02961 | SEAL MHPA34 44 8,OIL | 1   |     |     |     |     |     |   |   |
| 14   | 1    | 24421-284008 | SEAL TC28 40 08, OIL | 1   |     |     |     |     |     |   |   |
| 15   | 1    | 23887-100002 | PLUG 10              | 1   |     |     |     |     |     |   |   |
| 16   | 1    | 23414-100000 | GASKET 10, ROUND     | 1   |     |     |     |     |     |   |   |

Fig.93.OUTPUT SHAFT

(A)=KM2P (D)=  
 (B)= (E)=  
 (C)= (F)=

Fig. **93** アウトプットシャフト  
 OUTPUT SHAFT



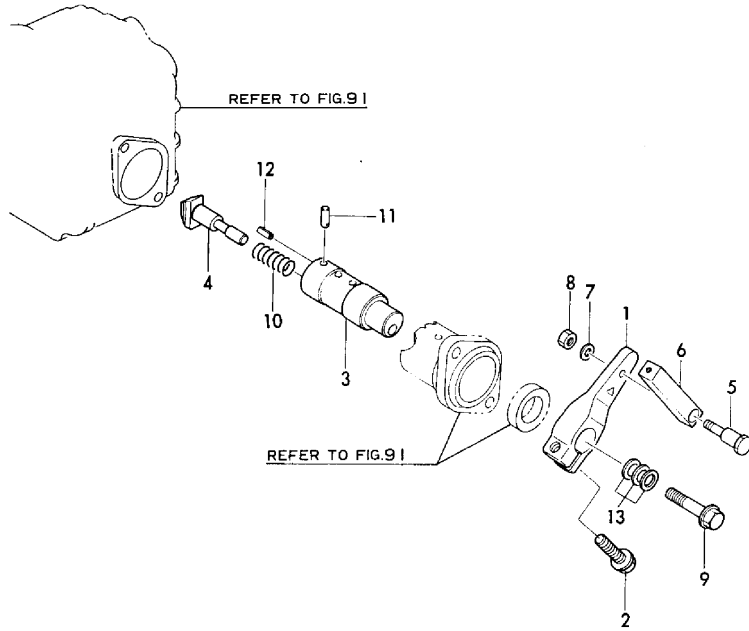
| REF. | LEV. | PARTS NO.    | DESCRIPTION          | QTY |     |     |     |     |     | I | R |
|------|------|--------------|----------------------|-----|-----|-----|-----|-----|-----|---|---|
|      |      |              |                      | (A) | (B) | (C) | (D) | (E) | (F) |   |   |
| 1    | 1    | 177088-03092 | SHAFT,OUTPUT         | 1   |     |     |     |     |     |   |   |
| 2    | 1    | 177088-03072 | CONE,DRIVE           | 1   |     |     |     |     |     |   |   |
| 3    | 1    | 177088-03131 | GEAR,FORWARD Z53     | 1   |     |     |     |     |     |   |   |
| 4    | 1    | 177088-03111 | GEAR,FORWARD Z55     | 1   |     |     |     |     |     |   |   |
| 5    | 1    | 177088-03121 | GEAR,FORWARD Z58     | 1   |     |     |     |     |     |   |   |
| 6    | 1    | 177088-03111 | GEAR,FORWARD Z55     | 1   |     |     |     |     |     |   |   |
| 7    | 1    | 177088-03192 | RACE, INNER          | 2   |     |     |     |     |     |   |   |
| 8    | 1    | 177088-03201 | NEEDLE BERG.#K303517 | 2   |     |     |     |     |     |   |   |
| 9    | 1    | 177088-03233 | COLLAR (A), THRUST   | 2   |     |     |     |     |     |   |   |
| 10   | 1    | 177088-03252 | COLLAR (B), THRUST   | 2   |     |     |     |     |     |   |   |
| 11   | 1    | 177088-03272 | NUT                  | 2   |     |     |     |     |     |   |   |
| 12   | 1    | 177088-03552 | COUPLING, OUTPUT     | 1   |     |     |     |     |     |   |   |
| 13   | 1    | 24311-000180 | O-RING 1A P-18.0     | 1   |     |     |     |     |     |   |   |
| 14   | 1    | 177088-03520 | R.BEARING07087/07204 | 2   |     |     |     |     |     |   |   |
| 15   | 1    | 177088-03290 | PIN 4D-22L           | 1   |     |     |     |     |     |   |   |
| 16   | 1    | 177088-03280 | COLLAR 32D-45T       | 1   |     |     |     |     |     |   |   |
| 17   | 1    | 177088-03540 | SPRING               | 2   |     |     |     |     |     |   |   |
| 18   | 1    | 177073-03340 | RETAINER             | 2   |     |     |     |     |     |   |   |



Fig.94.REMOTE CONTROL DEVICE

(A)=KM2P (D)=  
 (B)= (E)=  
 (C)= (F)=

Fig.94 操縦装置  
 REMOTE CONTROL DEVICE

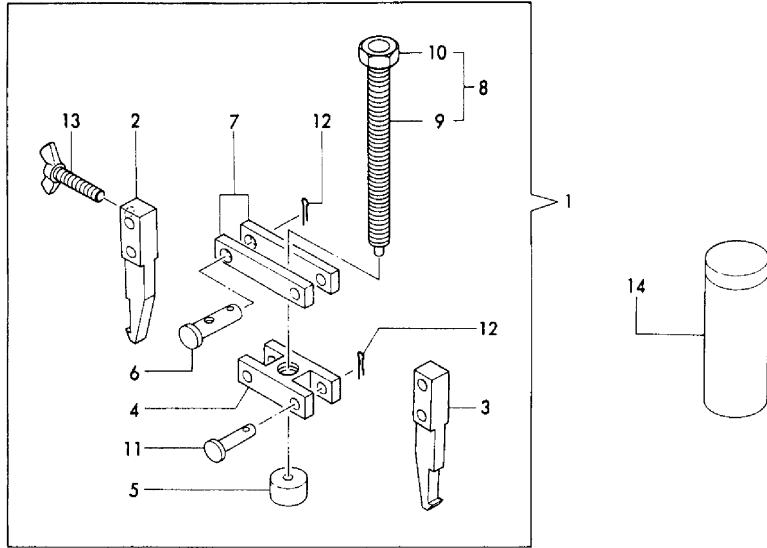


| REF. | LEV. | PARTS NO.    | DESCRIPTION         | Q'TY |     |     |     |     |     | I | R |
|------|------|--------------|---------------------|------|-----|-----|-----|-----|-----|---|---|
|      |      |              |                     | (A)  | (B) | (C) | (D) | (E) | (F) |   |   |
| 1    | 1    | 177088-06400 | LEVER               | 1    |     |     |     |     |     |   |   |
| 2    | 1    | 26106-080252 | BOLT M 8X 25 PLATED | 1    |     |     |     |     |     |   |   |
| 3    | 1    | 177088-06350 | SHAFT, CONTROL      | 1    |     |     |     |     |     |   |   |
| 4    | 1    | 177088-06390 | SHIFTER             | 1    |     |     |     |     |     |   |   |
| 5    | 1    | 177088-06101 | CONNECTOR           | 1    |     |     |     |     |     |   |   |
| 6    | 1    | 177088-06410 | HOLDER              | 1    |     |     |     |     |     |   |   |
| 7    | 1    | 22137-060000 | WASHER 6, POLISHED  | 1    |     |     |     |     |     |   |   |
| 8    | 1    | 26716-060002 | NUT 6               | 1    |     |     |     |     |     |   |   |
| 9    | 1    | 177088-06360 | BOLT                | 1    |     |     |     |     |     |   |   |
| 10   | 1    | 177088-06370 | SPRING              | 1    |     |     |     |     |     |   |   |
| 11   | 1    | 196322-06610 | PIN 5X18            | 1    |     |     |     |     |     |   |   |
| 12   | 1    | 22351-020012 | SPRING PIN 2X 12    | 1    |     |     |     |     |     |   |   |
| 13   | 1    | 177088-06380 | SHIM SET            | 1    |     |     |     |     |     |   |   |

Fig.95.TOOL(OPTIONAL)

(A)=KM2P (D)=  
 (B)= (E)=  
 (C)= (F)=

Fig.95 工具(オプション)  
 TOOL(OPTIONAL)

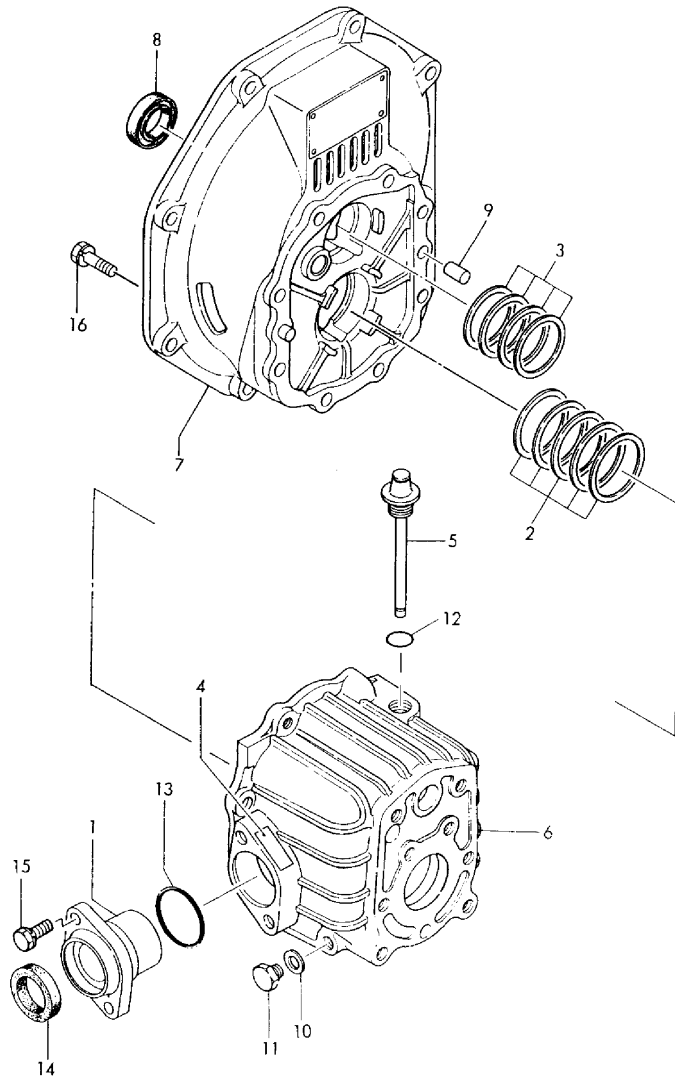


| REF. | LEV. | PARTS NO.    | DESCRIPTION       | Q'TY |     |     |     |     |     | I | R |
|------|------|--------------|-------------------|------|-----|-----|-----|-----|-----|---|---|
|      |      |              |                   | (A)  | (B) | (C) | (D) | (E) | (F) |   |   |
| 1    | 1    | 177088-09010 | TOOLS ASSY        | 1    |     |     |     |     |     |   |   |
| 2    | 2    | 177088-09020 | TOOL A            | 1    |     |     |     |     |     |   |   |
| 3    | 2    | 177088-09030 | TOOL B            | 1    |     |     |     |     |     |   |   |
| 4    | 2    | 177088-09040 | BRACKET           | 1    |     |     |     |     |     |   |   |
| 5    | 2    | 177088-09050 | RETAINER          | 1    |     |     |     |     |     |   |   |
| 6    | 2    | 177088-09060 | PIN               | 1    |     |     |     |     |     |   |   |
| 7    | 2    | 177088-09070 | PLATE             | 2    |     |     |     |     |     |   |   |
| 8    | 2    | 177088-09080 | BOLT ASSY         | 1    |     |     |     |     |     |   |   |
| 9    | 3    | 177088-09090 | BOLT              | 1    |     |     |     |     |     |   |   |
| 10   | 3    | 26736-100002 | NUT M10           | 1    |     |     |     |     |     |   |   |
| 11   | 2    | 22487-060240 | PIN 6X 24         | 3    |     |     |     |     |     |   |   |
| 12   | 2    | 22414-160120 | COTTER PIN 1.6X12 | 4    |     |     |     |     |     |   |   |
| 13   | 2    | 26646-040352 | WING BOLT         | 1    |     |     |     |     |     |   |   |
| 14   | 1    | 177088-09150 | TOOL, DRIVE       | 1    |     |     |     |     |     |   |   |

Fig.96.CLUTCH HOUSING

(A)=KM3V (D)=  
 (B)= (E)=  
 (C)= (F)=

Fig.96 クラッチケース  
 CLUTCH CASE

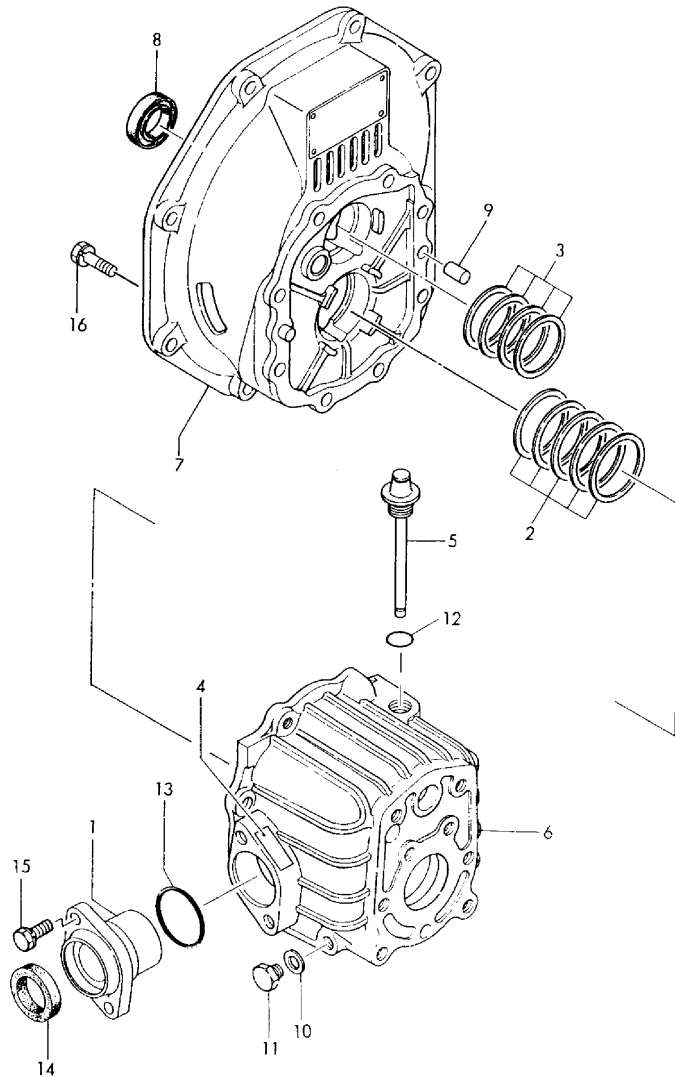


| REF. | LEV. | PARTS NO.    | DESCRIPTION          | QTY |     |     |     |     |     | I | R |
|------|------|--------------|----------------------|-----|-----|-----|-----|-----|-----|---|---|
|      |      |              |                      | (A) | (B) | (C) | (D) | (E) | (F) |   |   |
| 1    | 1    | 177088-02120 | COVER, SIDE          | 1   |     |     |     |     |     |   |   |
| 2    | 1    | 177088-02300 | SHIM SET             | 1   |     |     |     |     |     |   |   |
| 3    | 1    | 177088-02350 | SHIM SET             | 1   |     |     |     |     |     |   |   |
| 4    | 1    | 177088-02430 | LABEL                | 1   |     |     |     |     |     |   |   |
| 5    | 1    | 177088-02451 | DIPSTICK, LUB. OIL   | 1   |     |     |     |     |     |   |   |
| 6    | 1    | 177070-02511 | CASE                 | 1   |     |     |     |     |     |   |   |
| 7    | 1    | 177070-02520 | FLANGE               | 1   |     |     |     |     |     |   |   |
| 8    | 1    | 177088-02950 | SEAL SC25 40 8, OIL  | 1   |     |     |     |     |     |   |   |
| 9    | 1    | 22312-100160 | PARALLEL PIN 10X16   | 2   |     |     |     |     |     |   |   |
| 10   | 1    | 23414-100000 | GASKET 10, ROUND     | 1   |     |     |     |     |     |   |   |
| 11   | 1    | 23887-100002 | PLUG 10              | 1   |     |     |     |     |     |   |   |
| 12   | 1    | 24311-000180 | O-RING 1A P-18.0     | 1   |     |     |     |     |     |   |   |
| 13   | 1    | 24321-000400 | O-RING 1A G-40.0     | 1   |     |     |     |     |     |   |   |
| 14   | 1    | 24421-284008 | SEAL TC28 40 08, OIL | 1   |     |     |     |     |     |   |   |
| 15   | 1    | 26013-080252 | BOLT M 8X 25         | 2   |     |     |     |     |     |   |   |
| 16   | 1    | 26016-080252 | BOLT M 8X 25         | 8   |     |     |     |     |     |   |   |

Fig.96.CLUTCH HOUSING

(A)=KM3V (D)=  
 (B)= (E)=  
 (C)= (F)=

Fig.96 クラッチケース  
 CLUTCH CASE

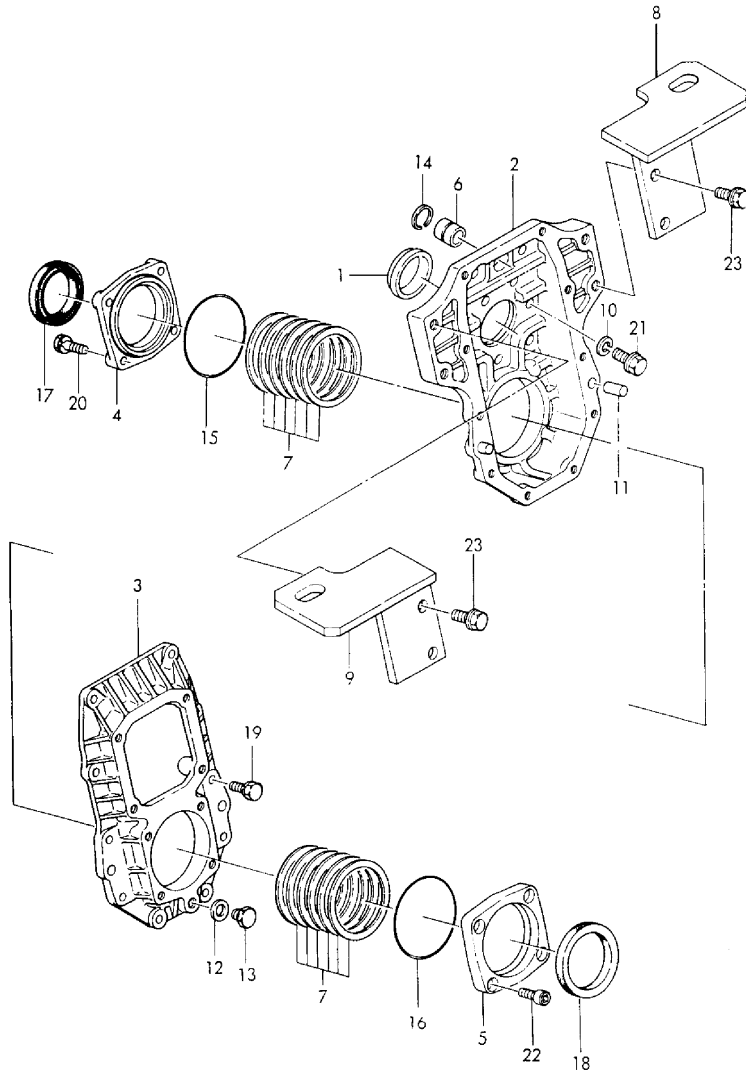


| REF. | LEV. | PARTS NO.    | DESCRIPTION          | Q'TY |     |     |     |     |     | I | R |
|------|------|--------------|----------------------|------|-----|-----|-----|-----|-----|---|---|
|      |      |              |                      | (A)  | (B) | (C) | (D) | (E) | (F) |   |   |
| 1    | 1    | 177088-02120 | COVER, SIDE          | 1    |     |     |     |     |     |   |   |
| 2    | 1    | 177088-02300 | SHIM SET             | 1    |     |     |     |     |     |   |   |
| 3    | 1    | 177088-02350 | SHIM SET             | 1    |     |     |     |     |     |   |   |
| 4    | 1    | 177088-02430 | LABEL                | 1    |     |     |     |     |     |   |   |
| 5    | 1    | 177088-02451 | DIPSTICK, LUB. OIL   | 1    |     |     |     |     |     |   |   |
| 6    | 1    | 177070-02511 | CASE                 | 1    |     |     |     |     |     |   |   |
| 7    | 1    | 177070-02520 | FLANGE               | 1    |     |     |     |     |     |   |   |
| 8    | 1    | 177088-02950 | SEAL SC25 40 8, OIL  | 1    |     |     |     |     |     |   |   |
| 9    | 1    | 22312-100160 | PARALLEL PIN 10X16   | 2    |     |     |     |     |     |   |   |
| 10   | 1    | 23414-100000 | GASKET 10, ROUND     | 1    |     |     |     |     |     |   |   |
| 11   | 1    | 23887-100002 | PLUG 10              | 1    |     |     |     |     |     |   |   |
| 12   | 1    | 24311-000180 | O-RING 1A P-18.0     | 1    |     |     |     |     |     |   |   |
| 13   | 1    | 24321-000400 | O-RING 1A G-40.0     | 1    |     |     |     |     |     |   |   |
| 14   | 1    | 24421-284008 | SEAL TC28 40 08, OIL | 1    |     |     |     |     |     |   |   |
| 15   | 1    | 26013-080252 | BOLT M 8X 25         | 2    |     |     |     |     |     |   |   |
| 16   | 1    | 26016-080252 | BOLT M 8X 25         | 8    |     |     |     |     |     |   |   |

Fig.97.V-DRIVE HOUSING

(A)=KM3V (D)=  
 (B)= (E)=  
 (C)= (F)=

Fig.97 Vドライブケース  
 V-DRIVE HOUSING

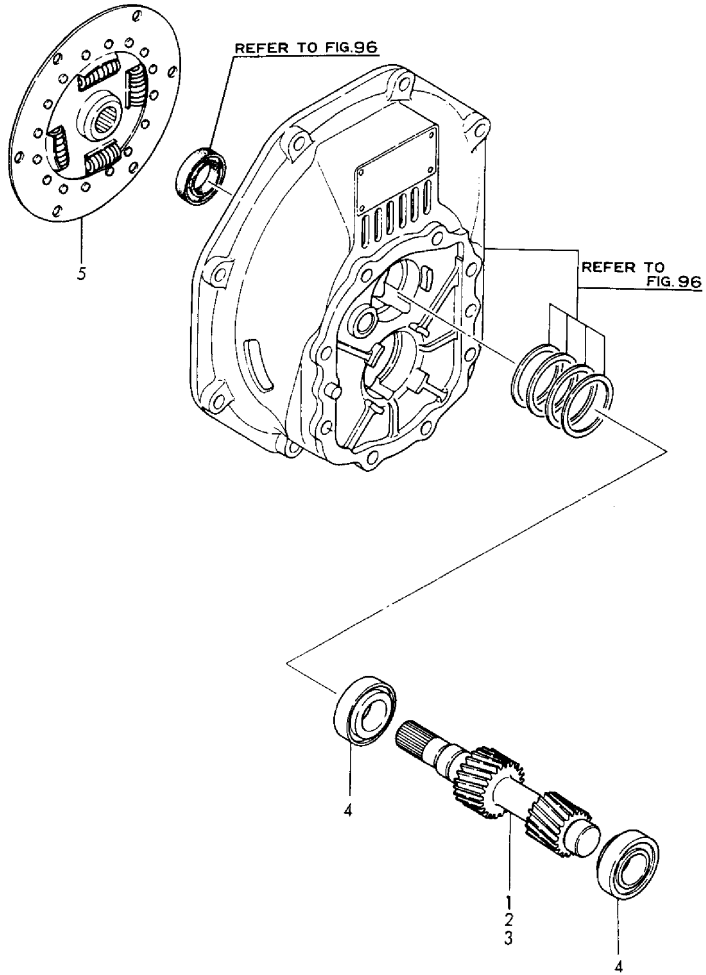


| REF. | LEV. | PARTS NO.    | DESCRIPTION          | QTY |     |     |     |     |     | I | R |  |
|------|------|--------------|----------------------|-----|-----|-----|-----|-----|-----|---|---|--|
|      |      |              |                      | (A) | (B) | (C) | (D) | (E) | (F) |   |   |  |
| 1    | 1    | 177070-02680 | BUSH                 | 1   |     |     |     |     |     |   |   |  |
| 2    | 1    | 177070-02801 | HOUSING(A), V-DRIVE  | 1   |     |     |     |     |     |   |   |  |
| 3    | 1    | 177070-02811 | HOUSING(B), V-DRIVE  | 1   |     |     |     |     |     |   |   |  |
| 4    | 1    | 177070-02820 | COVER(A)             | 1   |     |     |     |     |     |   |   |  |
| 5    | 1    | 177070-02830 | COVER(B)             | 1   |     |     |     |     |     |   |   |  |
| 6    | 1    | 177070-02840 | PARALLEL PIN         | 1   |     |     |     |     |     |   |   |  |
| 7    | 1    | 177070-02850 | SHIM SET             | 2   |     |     |     |     |     |   |   |  |
| 8    | 1    | 177070-02900 | BRACKET(R)           | 1   |     |     |     |     |     |   |   |  |
| 9    | 1    | 177070-02910 | BRACKET(L)           | 1   |     |     |     |     |     |   |   |  |
| 10   | 1    | 22287-100000 | WASHER 10            | 8   |     |     |     |     |     |   |   |  |
| 11   | 1    | 22312-100160 | PARALLEL PIN 10X16   | 2   |     |     |     |     |     |   |   |  |
| 12   | 1    | 23414-100000 | GASKET 10, ROUND     | 1   |     |     |     |     |     |   |   |  |
| 13   | 1    | 23887-100002 | PLUG 10              | 1   |     |     |     |     |     |   |   |  |
| 14   | 1    | 24164-000202 | CIRCLIP 20-S         | 1   |     |     |     |     |     |   |   |  |
| 15   | 1    | 24341-000750 | O-RING 1A S-75.0     | 1   |     |     |     |     |     |   |   |  |
| 16   | 1    | 24341-000750 | O-RING 1A S-75.0     | 1   |     |     |     |     |     |   |   |  |
| 17   | 1    | 24421-456209 | SEAL TC 456209, OIL  | 1   |     |     |     |     |     |   |   |  |
| 18   | 1    | 24421-557209 | SEAL TC55 72 09, OIL | 1   |     |     |     |     |     |   |   |  |
| 19   | 1    | 26016-080252 | BOLT M 8X 25         | 10  |     |     |     |     |     |   |   |  |
| 20   | 1    | 26016-080252 | BOLT M 8X 25         | 4   |     |     |     |     |     |   |   |  |
| 21   | 1    | 26106-100252 | BOLT M10X 25 PLATED  | 8   |     |     |     |     |     |   |   |  |
| 22   | 1    | 26450-080202 | BOLT M 8X 20         | 4   |     |     |     |     |     |   |   |  |
| 23   | 1    | 26106-100252 | BOLT M10X 25 PLATED  | 4   |     |     |     |     |     |   |   |  |

(A)=KM3V (D)=  
 (B)= (E)=  
 (C)= (F)=

Fig.98.INPUT SHAFT

Fig. 98 インプットシャフト  
 INPUT SHAFT

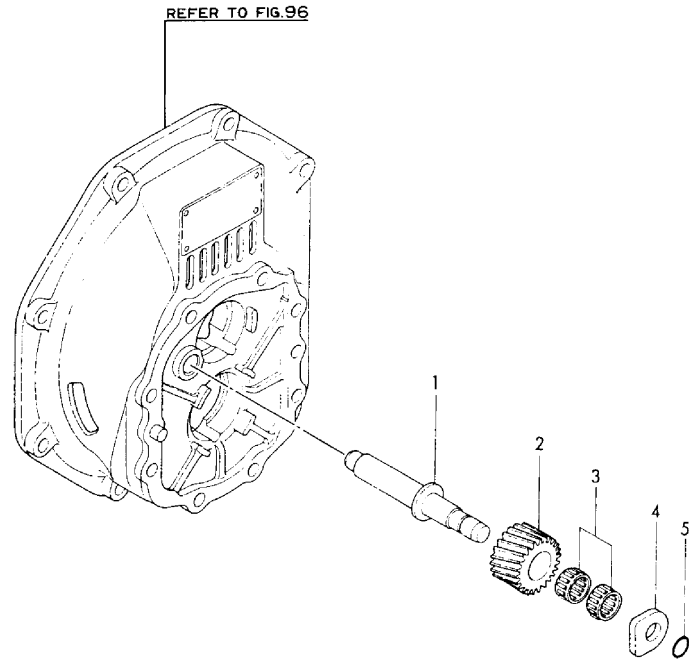


| REF. | LEV. | PARTS NO.    | DESCRIPTION         | Q'TY |     |     |     |     |     | I | R |
|------|------|--------------|---------------------|------|-----|-----|-----|-----|-----|---|---|
|      |      |              |                     | (A)  | (B) | (C) | (D) | (E) | (F) |   |   |
| 1    | 1    | 177070-03011 | SHAFT, INPUT I=2.61 | 1    |     |     |     |     |     |   |   |
| 2    | 1    | 177070-03021 | SHAFT, INPUT I=3.20 | 1    |     |     |     |     |     |   |   |
| 3    | 1    | 177070-03031 | SHAFT, INPUT I=2.36 | 1    |     |     |     |     |     |   |   |
| 4    | 1    | 177088-03400 | ROLLER BERING       | 2    |     |     |     |     |     |   |   |
| 5    | 1    | 177070-03500 | DISK, DAMPER        | 1    |     |     |     |     |     |   |   |

Fig.99.SUPPORT SHAFT

(A)=KM3V (D)=  
 (B)= (E)=  
 (C)= (F)=

Fig. **99** サポートシャフト  
 SUPPORT SHAFT

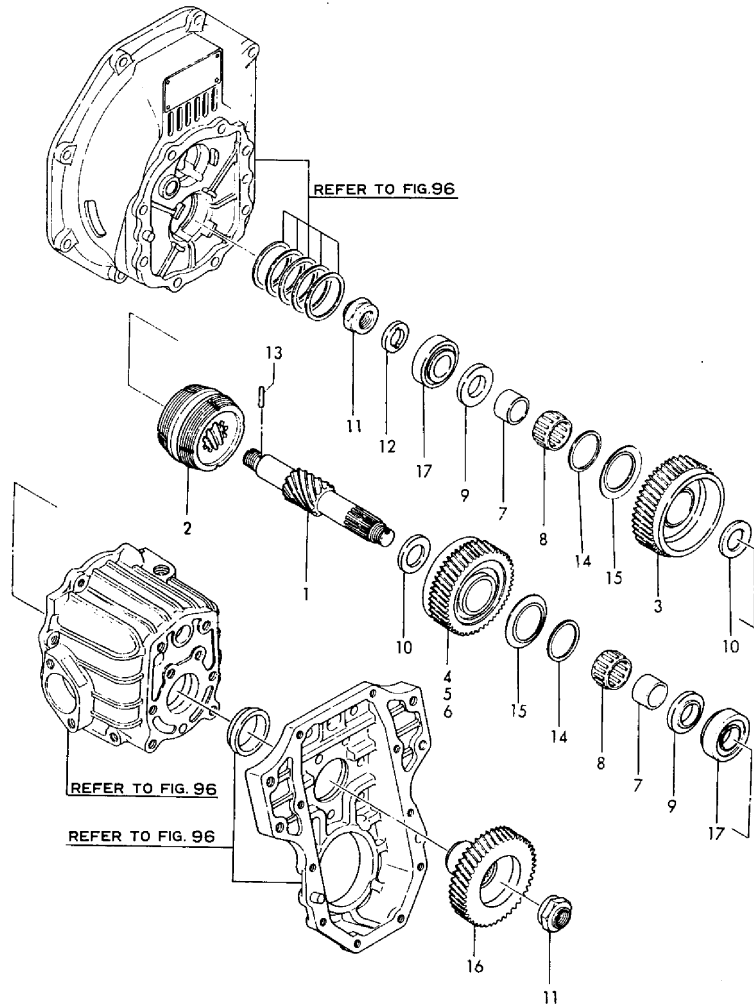


| REF. | LEV. | PARTS NO.    | DESCRIPTION          | Q'TY |     |     |     |     |     | I | R |
|------|------|--------------|----------------------|------|-----|-----|-----|-----|-----|---|---|
|      |      |              |                      | (A)  | (B) | (C) | (D) | (E) | (F) |   |   |
| 1    | 1    | 177070-03302 | SHAFT, IDLE GEAR     | 1    |     |     |     |     |     |   |   |
| 2    | 1    | 177088-03311 | GEAR (Z=26), IDLE    | 1    |     |     |     |     |     |   |   |
| 3    | 1    | 177088-03331 | NEEDLE BERG.#K162213 | 2    |     |     |     |     |     |   |   |
| 4    | 1    | 177088-03341 | WASHER, THRUST       | 1    |     |     |     |     |     |   |   |
| 5    | 1    | 24341-000120 | O-RING 1A S-12.0     | 1    |     |     |     |     |     |   |   |

Fig.100.OUTPUT SHAFT

(A)=KM3V (D)=  
 (B)= (E)=  
 (C)= (F)=

Fig. **100** アウトプットシャフト  
 OUTPUT SHAFT



| REF. | LEV. | PARTS NO.    | DESCRIPTION         | QTY |     |     |     |     |     | I | R |  |
|------|------|--------------|---------------------|-----|-----|-----|-----|-----|-----|---|---|--|
|      |      |              |                     | (A) | (B) | (C) | (D) | (E) | (F) |   |   |  |
| 1    | 1    | 177070-03041 | SHAFT,OUTPUT        | 1   |     |     |     |     |     |   |   |  |
| 2    | 1    | 177070-03071 | CONE,DRIVE          | 1   |     |     |     |     |     |   |   |  |
| 3    | 1    | 177070-03112 | GEAR,FORWARD 60     | 1   |     |     |     |     |     |   |   |  |
| 4    | 1    | 177070-03112 | GEAR,FORWARD 60     | 1   |     |     |     |     |     |   |   |  |
| 5    | 1    | 177070-03122 | GEAR,FORWARD 64     | 1   |     |     |     |     |     |   |   |  |
| 6    | 1    | 177070-03131 | GEAR,FORWARD 59     | 1   |     |     |     |     |     |   |   |  |
| 7    | 1    | 177070-03190 | RACE, BEARING INNER | 2   |     |     |     |     |     |   |   |  |
| 8    | 1    | 177070-03200 | NEEDLE BEARING      | 2   |     |     |     |     |     |   |   |  |
| 9    | 1    | 177070-03231 | COLLAR (A), THRUST  | 2   |     |     |     |     |     |   |   |  |
| 10   | 1    | 177070-03250 | COLLAR (B), THRUST  | 2   |     |     |     |     |     |   |   |  |
| 11   | 1    | 177088-03272 | NUT                 | 2   |     |     |     |     |     |   |   |  |
| 12   | 1    | 177088-03280 | COLLAR 32D-45T      | 1   |     |     |     |     |     |   |   |  |
| 13   | 1    | 177088-03290 | PIN 4D-22L          | 1   |     |     |     |     |     |   |   |  |
| 14   | 1    | 177073-03340 | RETAINER            | 2   |     |     |     |     |     |   |   |  |
| 15   | 1    | 177088-03540 | SPRING              | 2   |     |     |     |     |     |   |   |  |
| 16   | 1    | 177070-03600 | GEAR Z46            | 1   |     |     |     |     |     |   |   |  |
| 17   | 1    | 24141-302050 | ROLLER BEARING      | 2   |     |     |     |     |     |   |   |  |

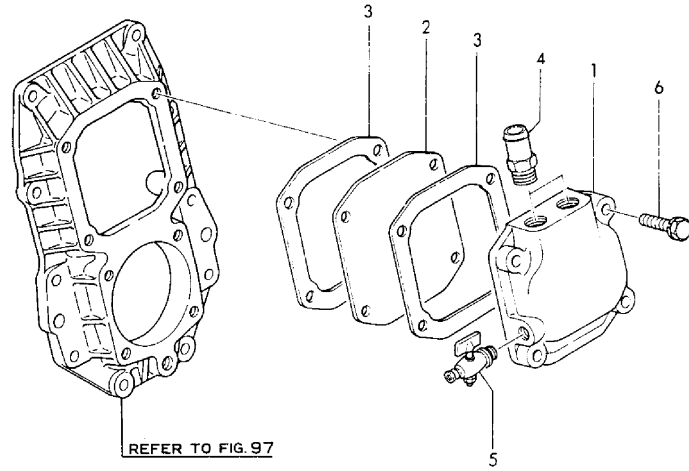




(A)=KM3V (D)=  
 (B)= (E)=  
 (C)= (F)=

Fig.102.LUB.OIL COOLER

Fig. **102** 潤滑油クーラ  
 LUB.OIL COOLER

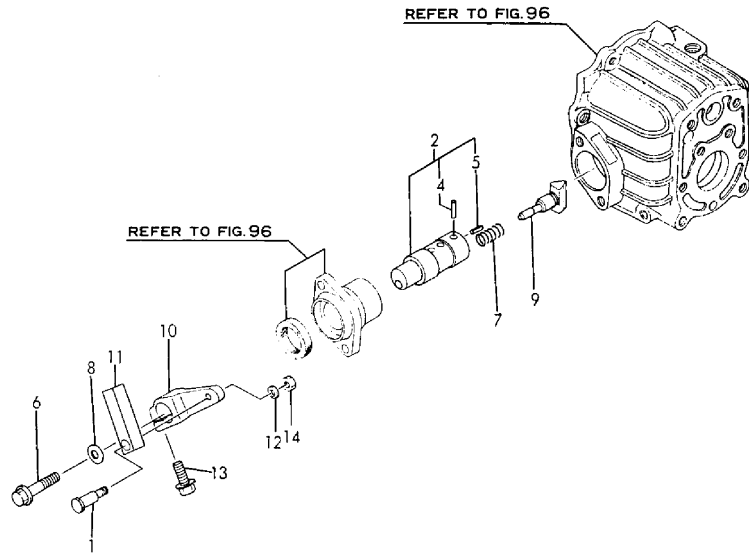


| REF. | LEV. | PARTS NO.    | DESCRIPTION   | Q'TY |     |     |     |     |     | I | R |
|------|------|--------------|---------------|------|-----|-----|-----|-----|-----|---|---|
|      |      |              |               | (A)  | (B) | (C) | (D) | (E) | (F) |   |   |
| 1    | 1    | 177070-04250 | BODY, COOLER  | 1    |     |     |     |     |     |   |   |
| 2    | 1    | 177070-04260 | PLATE, COOLER | 1    |     |     |     |     |     |   |   |
| 3    | 1    | 177070-04270 | GASKET        | 2    |     |     |     |     |     |   |   |
| 4    | 1    | 177070-04280 | JOINT         | 2    |     |     |     |     |     |   |   |
| 5    | 1    | 128695-44090 | COCK PT1/8    | 1    |     |     |     |     |     |   |   |
| 6    | 1    | 26016-080352 | BOLT M 8X 35  | 4    |     |     |     |     |     |   |   |

Fig.103.REMOTE CONTROL DEVICE

(A)=KM3V (D)=  
 (B)= (E)=  
 (C)= (F)=

Fig. **103** 操縦装置  
 REMOTE CONTROL DEVICE

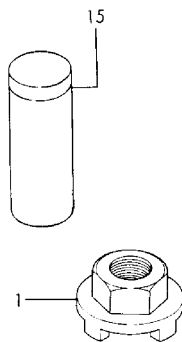
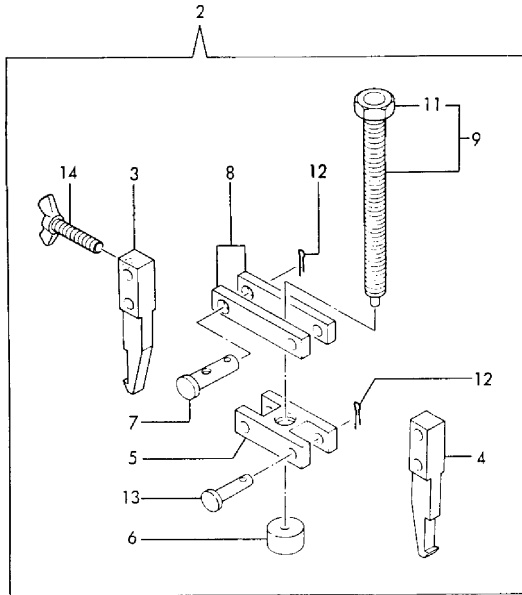


| REF. | LEV. | PARTS NO.    | DESCRIPTION         | Q'TY |     |     |     |     |     | I | R |
|------|------|--------------|---------------------|------|-----|-----|-----|-----|-----|---|---|
|      |      |              |                     | (A)  | (B) | (C) | (D) | (E) | (F) |   |   |
| 1    | 1    | 177088-06101 | CONNECTOR           | 1    |     |     |     |     |     |   |   |
| 2    | 1    | 177088-06340 | SHAFT ASSY          | 1    |     |     |     |     |     |   |   |
| 4    | 2    | 196322-06610 | PIN 5X18            | 1    |     |     |     |     |     |   |   |
| 5    | 2    | 22351-020012 | SPRING PIN 2X 12    | 1    |     |     |     |     |     |   |   |
| 6    | 1    | 177088-06360 | BOLT                | 1    |     |     |     |     |     |   |   |
| 7    | 1    | 177088-06370 | SPRING              | 1    |     |     |     |     |     |   |   |
| 8    | 1    | 177088-06380 | SHIM SET            | 1    |     |     |     |     |     |   |   |
| 9    | 1    | 177088-06390 | SHIFTER             | 1    |     |     |     |     |     |   |   |
| 10   | 1    | 177088-06400 | LEVER               | 1    |     |     |     |     |     |   |   |
| 11   | 1    | 177088-06410 | HOLDER              | 1    |     |     |     |     |     |   |   |
| 12   | 1    | 22137-060000 | WASHER 6, POLISHED  | 1    |     |     |     |     |     |   |   |
| 13   | 1    | 26106-080252 | BOLT M 8X 25 PLATED | 1    |     |     |     |     |     |   |   |
| 14   | 1    | 26716-060002 | NUT 6               | 1    |     |     |     |     |     |   |   |

Fig.104.TOOL(OPTIONAL)

(A)=KM3V (D)=  
 (B)= (E)=  
 (C)= (F)=

Fig. **104** 工具(オプション)  
 TOOL (OPTIONAL)



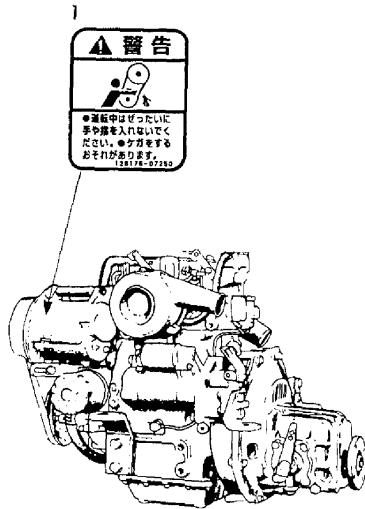
| REF. | LEV. | PARTS NO.    | DESCRIPTION       | Q'TY |     |     |     |     |     | I | R |
|------|------|--------------|-------------------|------|-----|-----|-----|-----|-----|---|---|
|      |      |              |                   | (A)  | (B) | (C) | (D) | (E) | (F) |   |   |
| 1    | 1    | 177070-09010 | TOOL              | 1    |     |     |     |     |     |   |   |
| 2    | 1    | 177088-09010 | TOOLS ASSY        | 1    |     |     |     |     |     |   |   |
| 3    | 2    | 177088-09020 | TOOL A            | 1    |     |     |     |     |     |   |   |
| 4    | 2    | 177088-09030 | TOOL B            | 1    |     |     |     |     |     |   |   |
| 5    | 2    | 177088-09040 | BRACKET           | 1    |     |     |     |     |     |   |   |
| 6    | 2    | 177088-09050 | RETAINER          | 1    |     |     |     |     |     |   |   |
| 7    | 2    | 177088-09060 | PIN               | 1    |     |     |     |     |     |   |   |
| 8    | 2    | 177088-09070 | PLATE             | 1    |     |     |     |     |     |   |   |
| 9    | 2    | 177088-09080 | BOLT ASSY         | 1    |     |     |     |     |     |   |   |
| 11   | 3    | 26736-100002 | NUT M10           | 1    |     |     |     |     |     |   |   |
| 12   | 2    | 22417-160120 | COTTER PIN 1.6X12 | 4    |     |     |     |     |     |   |   |
| 13   | 2    | 22487-060240 | PIN 6X 24         | 3    |     |     |     |     |     |   |   |
| 14   | 2    | 26646-040352 | WING BOLT         | 1    |     |     |     |     |     |   |   |
| 15   | 1    | 177088-09150 | TOOL, DRIVE       | 1    |     |     |     |     |     |   |   |

Fig.105.SAFETY LABEL

(A)=1GM10 (D)=1GM10C  
 (B)=1GM10VE (E)=1GM10L  
 (C)=1GM10-B (F)=

発行No. 000Y00F5041-1  
 更新年月: 1995.09  
 REVISED: Sep., 1995

Fig.105 安全銘板  
 SAFETY LABEL



警告表示(ラベル)の部品コード番号

|   |      |              |
|---|------|--------------|
| 1 | 部品番号 | 128176-07250 |
|---|------|--------------|

安全銘板の貼付け位置は、取扱説明書をご参照下さい。

| REF. | LEV. | PARTS NO.    | DESCRIPTION    | QTY |     |     |     |     |     | I | R |
|------|------|--------------|----------------|-----|-----|-----|-----|-----|-----|---|---|
|      |      |              |                | (A) | (B) | (C) | (D) | (E) | (F) |   |   |
| 1    | 1    | 128176-07250 | LABEL, CAUTION | 1   | 1   | 1   | 1   |     |     |   |   |

今回この項目を追加しました。  
 THIS FIGURE IS NEWLY ADDED.